



US00D456201S

(12) **United States Design Patent**
Hummell et al.

(10) **Patent No.: US D456,201 S**

(45) **Date of Patent: ** Apr. 30, 2002**

(54) **CD JEWEL CASE**

(75) Inventors: **Michael L. Hummell; Brian Donald Hayes**, both of Newport Beach; **John Paul Ayers**, Brea, all of CA (US)

(73) Assignee: **Stomp, Inc.**, Costa Mesa, CA (US)

(**) Term: **14 Years**

(21) Appl. No.: **29/137,502**

(22) Filed: **Feb. 22, 2001**

(51) **LOC (7) Cl. 06-04**

(52) **U.S. Cl. D6/632; D6/407; D6/634; D6/635**

(58) **Field of Search** D3/201; D6/407, D6/408, 626-635; D14/475, 478, 479, 496; 206/232, 307.1, 308.1, 308.3, 309, 311, 312, 313, 387.13, 396, 397, 398, 408, 459.1; 369/37, 75.2, 291; 379/355

(56) **References Cited**

U.S. PATENT DOCUMENTS

D187,720 S	*	4/1960	Ketcham	D6/634
D214,819 S	*	7/1969	Goldberg	D6/634
D260,122 S		8/1981	Turner	D3/2
4,694,957 A		9/1987	Ackeret		
4,747,484 A		5/1988	Ackeret		
4,793,479 A		12/1988	Otsuka et al.		
4,964,510 A		10/1990	Loyd		
5,011,010 A		4/1991	Francis et al.		
5,141,103 A		8/1992	Stephan		
D333,382 S	*	2/1993	Cheng	D6/634
5,238,107 A		8/1993	Kownacki		
5,251,750 A		10/1993	Gelardi et al.		
5,299,186 A	*	3/1994	Tsurushima	206/308.1
D347,320 S	*	5/1994	Corday	D6/634
D347,728 S	*	6/1994	Taniyama	D6/634
5,400,902 A		3/1995	Kaminski		
5,425,451 A		6/1995	Blase		
5,551,560 A		9/1996	Weisburn et al.		
5,595,798 A		1/1997	Miller		
5,634,559 A	*	6/1997	Foos et al.	206/308.1
5,662,216 A		9/1997	Nesbitt et al.		

D385,145 S	*	10/1997	VerWeyst et al.	D6/632
5,685,427 A		11/1997	Kuitems et al.		
D387,217 S		12/1997	Lakoski et al.	D6/407
5,713,463 A		2/1998	Lakoski et al.		
5,746,315 A		5/1998	Luckow		
5,788,068 A		8/1998	Fraser et al.		
5,799,784 A		9/1998	Bosworth		
5,806,672 A		9/1998	Bosworth		
5,829,583 A	*	11/1998	VerWeyst et al.	206/308.1
5,845,771 A		12/1998	Fu		
5,931,294 A		8/1999	Weingarden et al.		
5,944,181 A		8/1999	Lau		
D414,646 S	*	10/1999	Ouguerouz	D6/634
D414,977 S	*	10/1999	Hales et al.	D6/631
5,996,788 A		12/1999	Belden, Jr. et al.		
D419,359 S	*	1/2000	Eguchi et al.	D6/634
D420,240 S		2/2000	Sorenson et al.	D6/632
6,021,894 A		2/2000	Lakoski et al.		
6,029,843 A		2/2000	Cha et al.		
D431,955 S	*	10/2000	Peterson et al.	D6/632
D433,265 S	*	11/2000	Khatemi	D6/634
D434,592 S	*	12/2000	Sankey et al.	D6/634
6,170,658 B1	*	1/2001	Dering	206/308.1
6,227,363 B1	*	5/2001	Lu	206/308.1
D443,169 S	*	6/2001	Sankey et al.	D6/632

* cited by examiner

Primary Examiner—Celia Murphy
(74) *Attorney, Agent, or Firm*—Walter A. Hackler

(57) **CLAIM**

We claim the ornamental design for a CD jewel case, as shown and described.

DESCRIPTION

FIG. 1 is a perspective view of a CD jewel case showing our new design;
FIG. 2 is a front elevational view of the present invention;
FIG. 3 is a left side elevational view of the present invention;
FIG. 4 is a rear elevational view of the present invention;
FIG. 5 is a bottom plan view of the present invention; and,
FIG. 6 is a perspective view of the present invention shown in an open configuration.

1 Claim, 2 Drawing Sheets

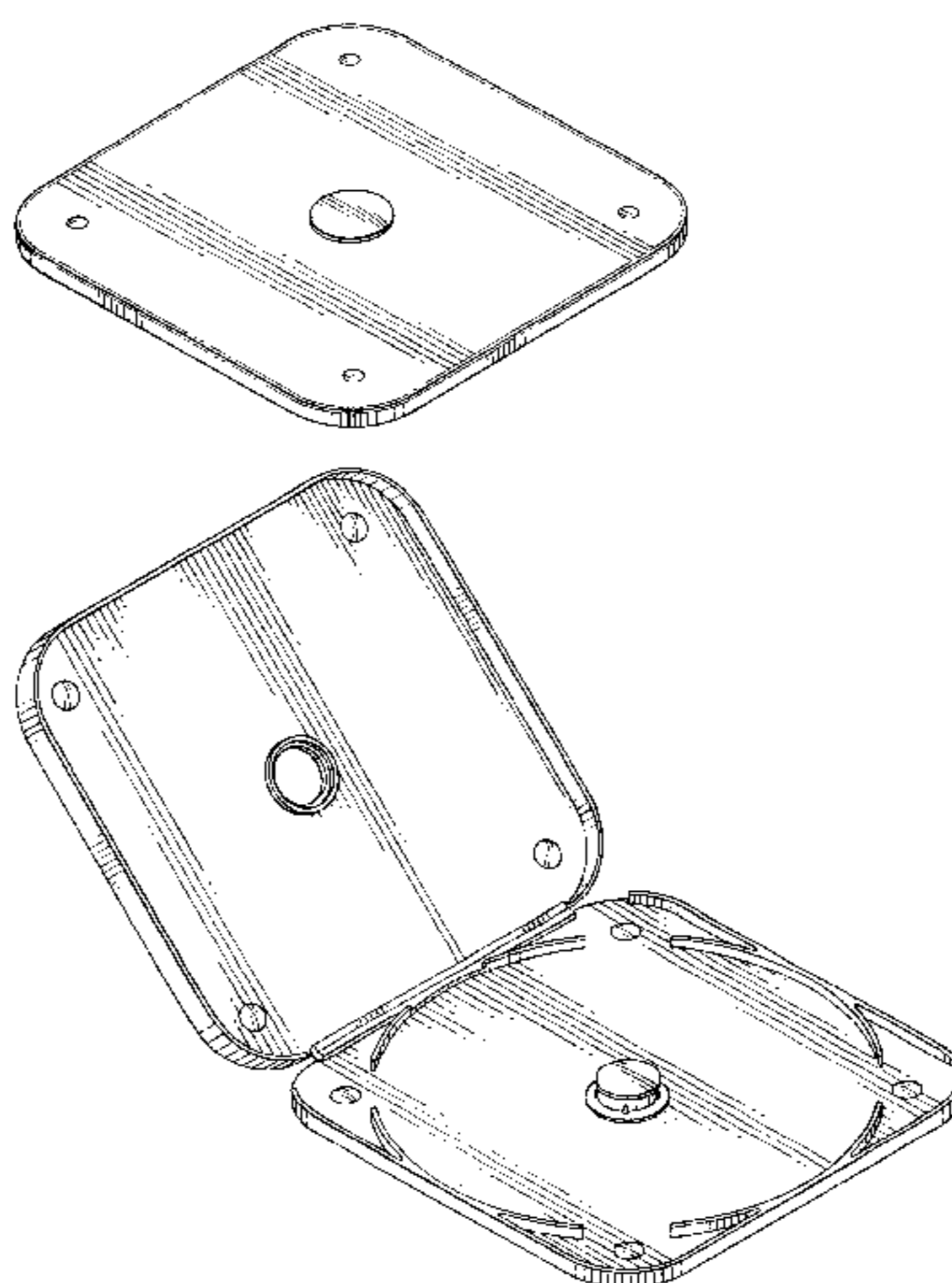


FIG. 1.

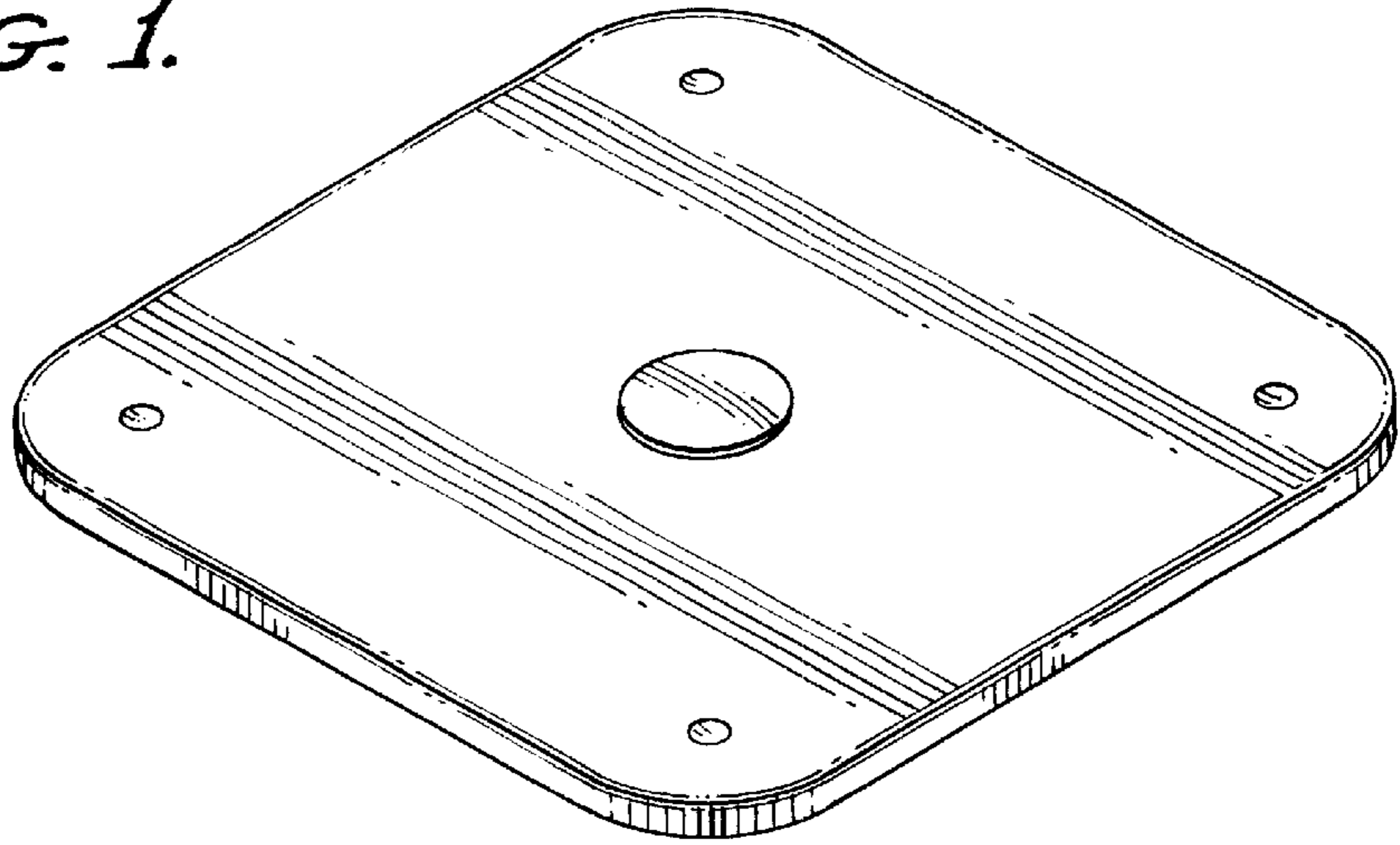


FIG. 2.

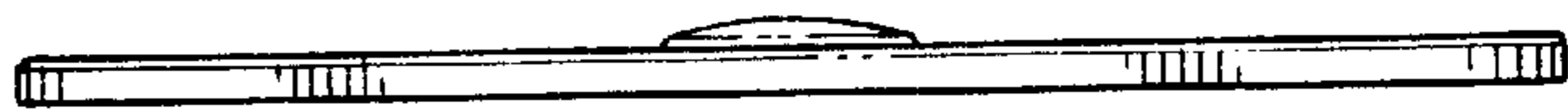


FIG. 3.

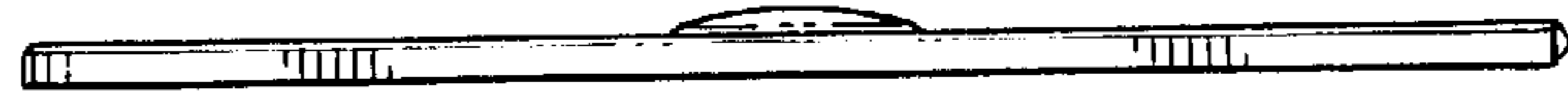


FIG. 4.

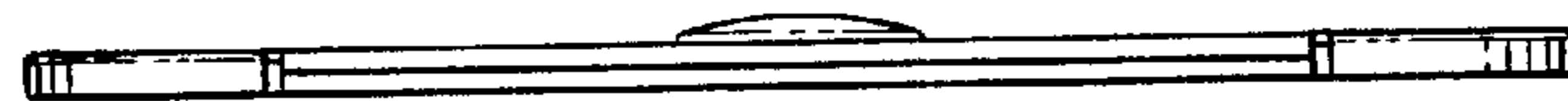
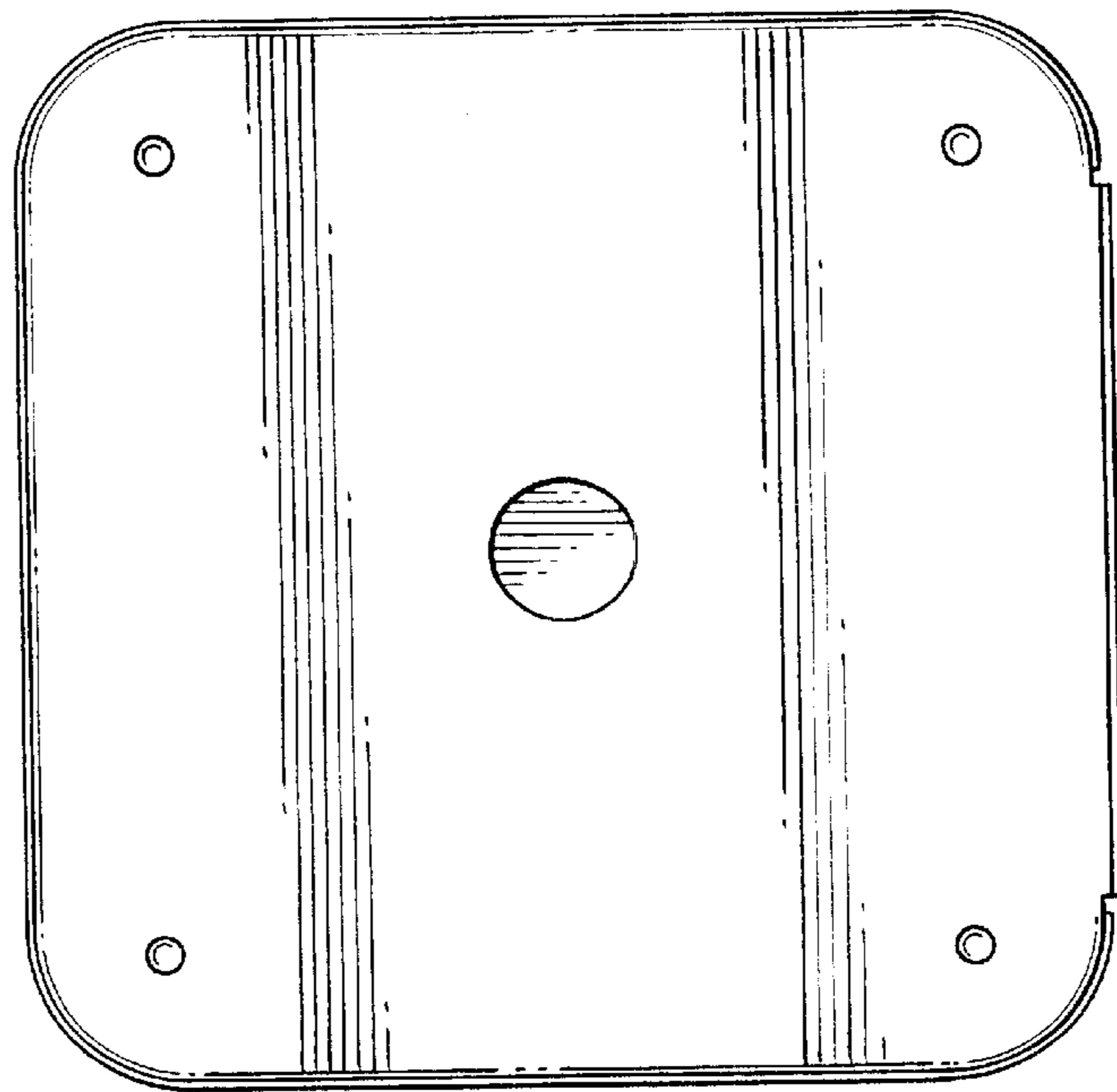


FIG. 5.



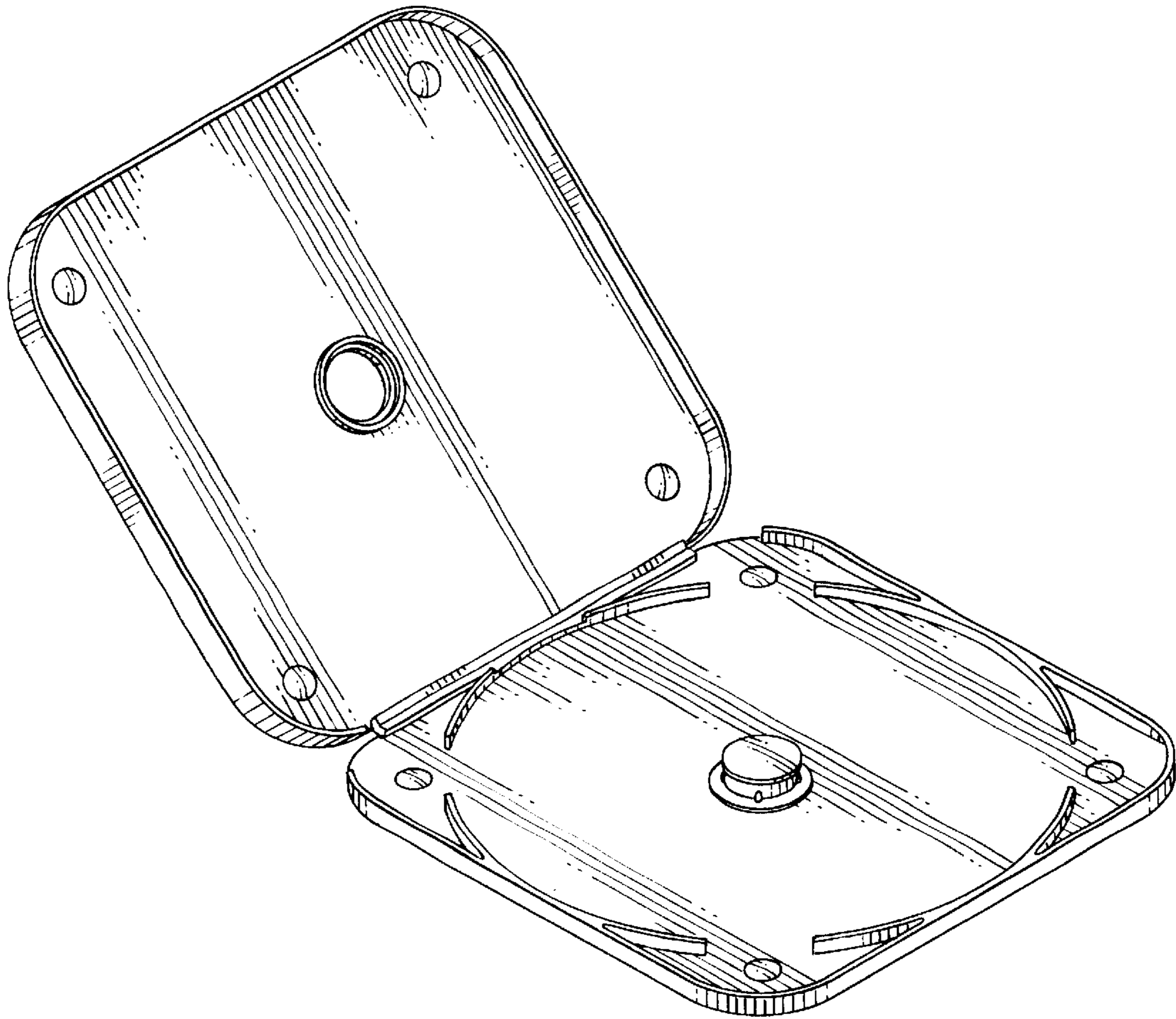


FIG. 6.