



US00D456200S

(12) **United States Design Patent**
Eskandry

(10) **Patent No.:** **US D456,200 S**

(45) **Date of Patent:** **** Apr. 30, 2002**

(54) **COMPACT DISK CARRYING CASE WITH SIDE WEBBING**

(76) **Inventor:** **Ezra D. Eskandry**, 1925 Brickell Ave., D901, Miami, FL (US) 33129

(**) **Term:** **14 Years**

(21) **Appl. No.:** **29/135,420**

(22) **Filed:** **Jan. 11, 2001**

(51) **LOC (7) Cl.** **06-04**

(52) **U.S. Cl.** **D6/631; D3/218; D6/407; D6/629; D6/630; D6/632**

(58) **Field of Search** **D3/201, 218; D6/407, D6/626-635; D19/26, 27, 32; 206/307.1, 308.1, 308.2, 308.3, 309, 311, 312, 387.11, 387.13, 387.15; 369/37, 75.2, 291; 379/355**

(56) **References Cited**

U.S. PATENT DOCUMENTS

1,626,842	A	*	5/1927	Kendall	220/422
3,547,342	A	*	12/1970	Smith et al.		
4,387,807	A	*	6/1983	Rosa	206/312
4,838,709	A	*	6/1989	Guerriero et al.	383/18
5,535,884	A	*	7/1996	Scott et al.	206/445
D383,620	S	*	9/1997	Smith et al.	D6/407
5,785,399	A	*	7/1998	Frankeny et al.		
5,826,717	A	*	10/1998	Eskandry	206/308.1
D403,915	S	*	1/1999	Temple et al.	D6/631
6,012,575	A	*	1/2000	Eskandry	206/308.1
D427,766	S	*	7/2000	Hillman	D3/218
D432,344	S		10/2000	Eskandry	D6/632

D434,938	S	*	12/2000	Hillman	D6/633
D435,385	S		12/2000	Eskandry	D6/633
D435,387	S	*	12/2000	Eskandry	D6/633
6,186,321	B1	*	2/2001	Eskandry	206/308.1
D441,590	S	*	5/2001	Hartstone	D6/626
D443,169	S	*	6/2001	Sankey et al.	D6/632
D448,599	S	*	10/2001	de Gruchy et al.	D6/632

OTHER PUBLICATIONS

U.S application No. 29/131,178, filed Oct. 2000, Eskandry.

* cited by examiner

Primary Examiner—Celia Murphy

(74) *Attorney, Agent, or Firm*—Robert C. Kain, Jr.; Fleit, Kain

(57) **CLAIM**

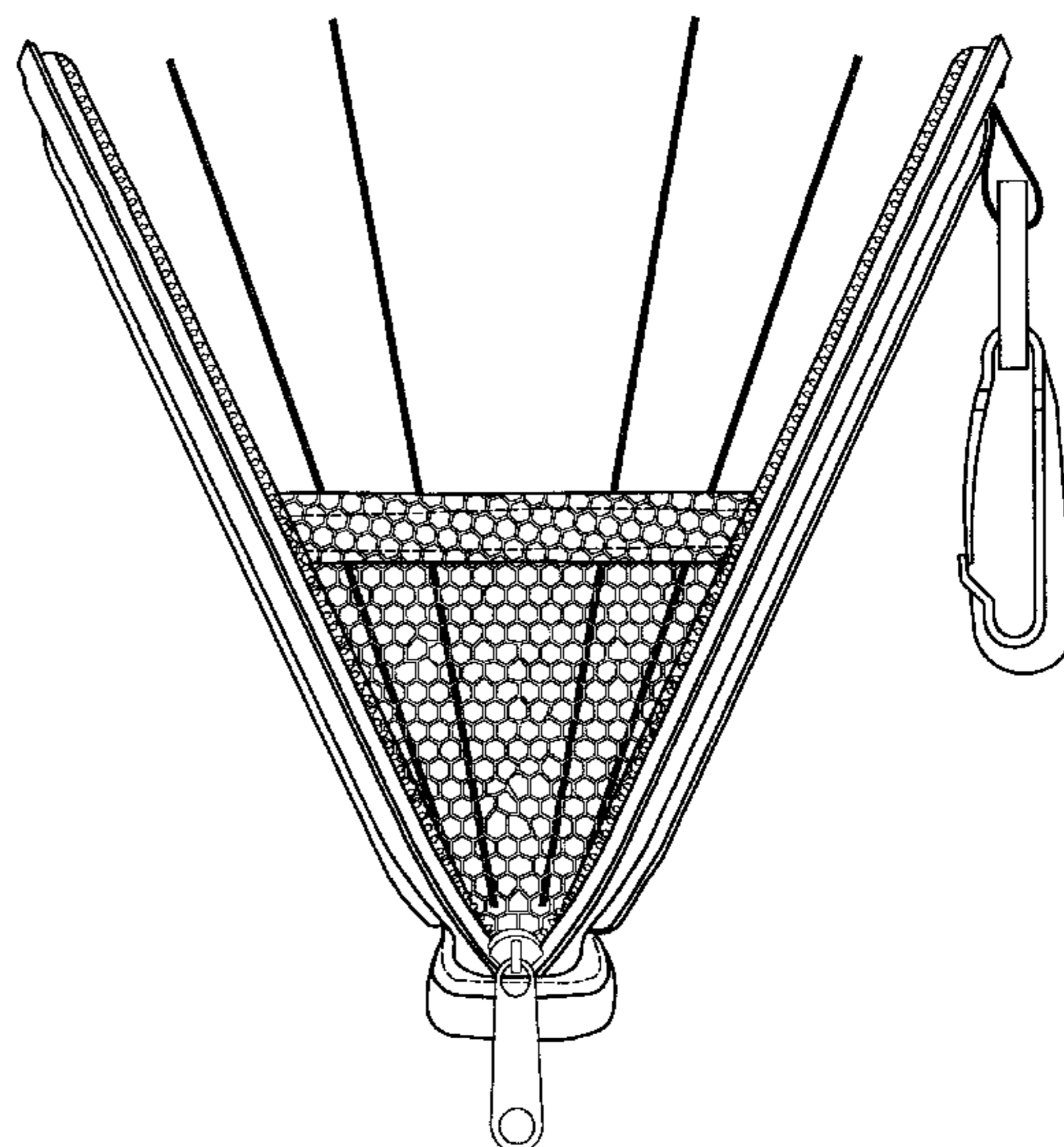
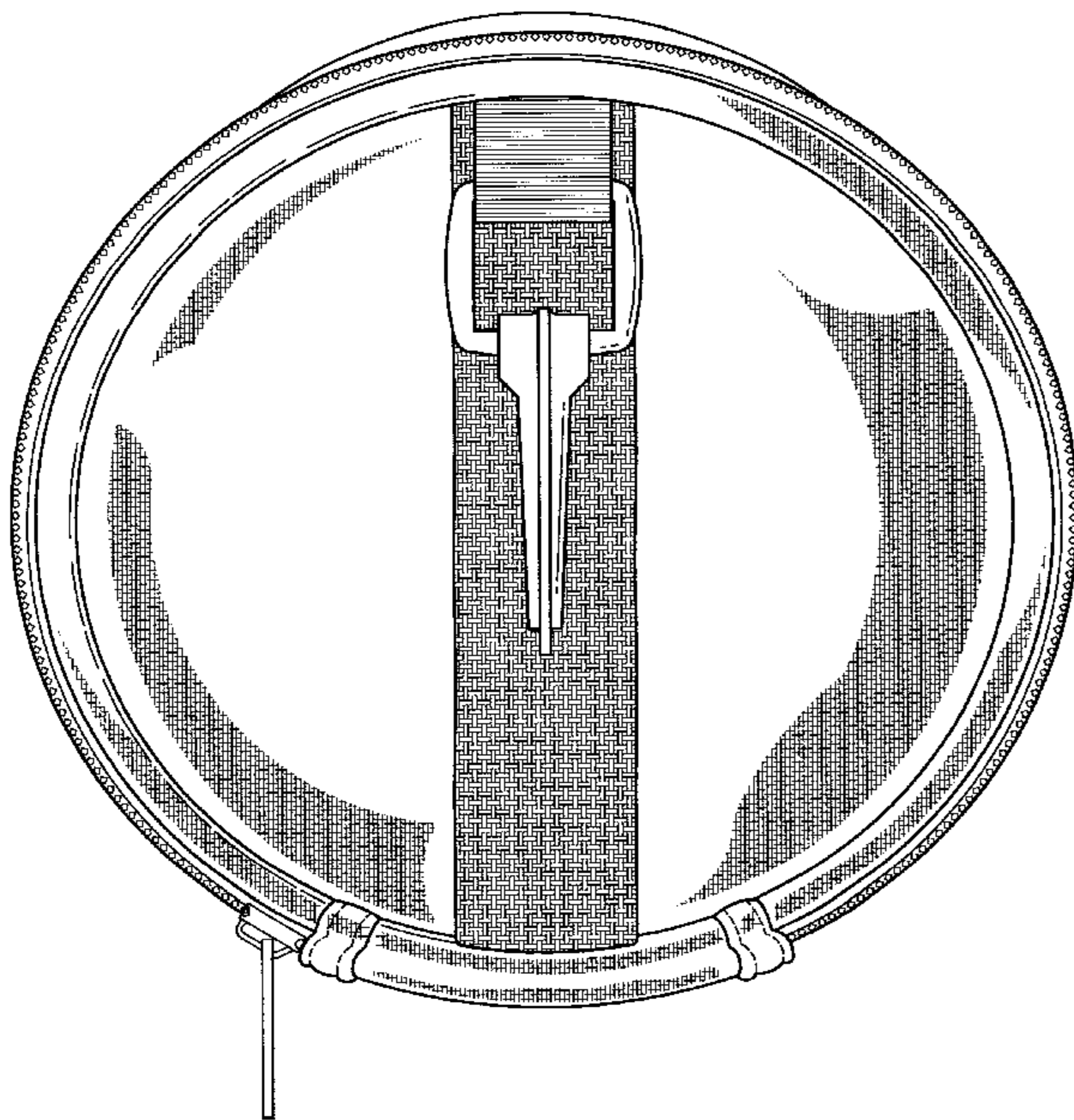
I claim the ornamental design for the compact disk carrying case with side webbing, as shown and described.

DESCRIPTION

FIG. 1 is a top view of a disk carrying case with side webbing, showing my new design; FIG. 2 is a front elevational view thereof; FIG. 3 is a rear elevational view thereof; FIG. 4 is a right side elevational view thereof; FIG. 5 is a left side elevational view thereof; and, FIG. 6 is a bottom plan view thereof.

The broken lines shown throughout the views are understood to represent stitching.

1 Claim, 5 Drawing Sheets



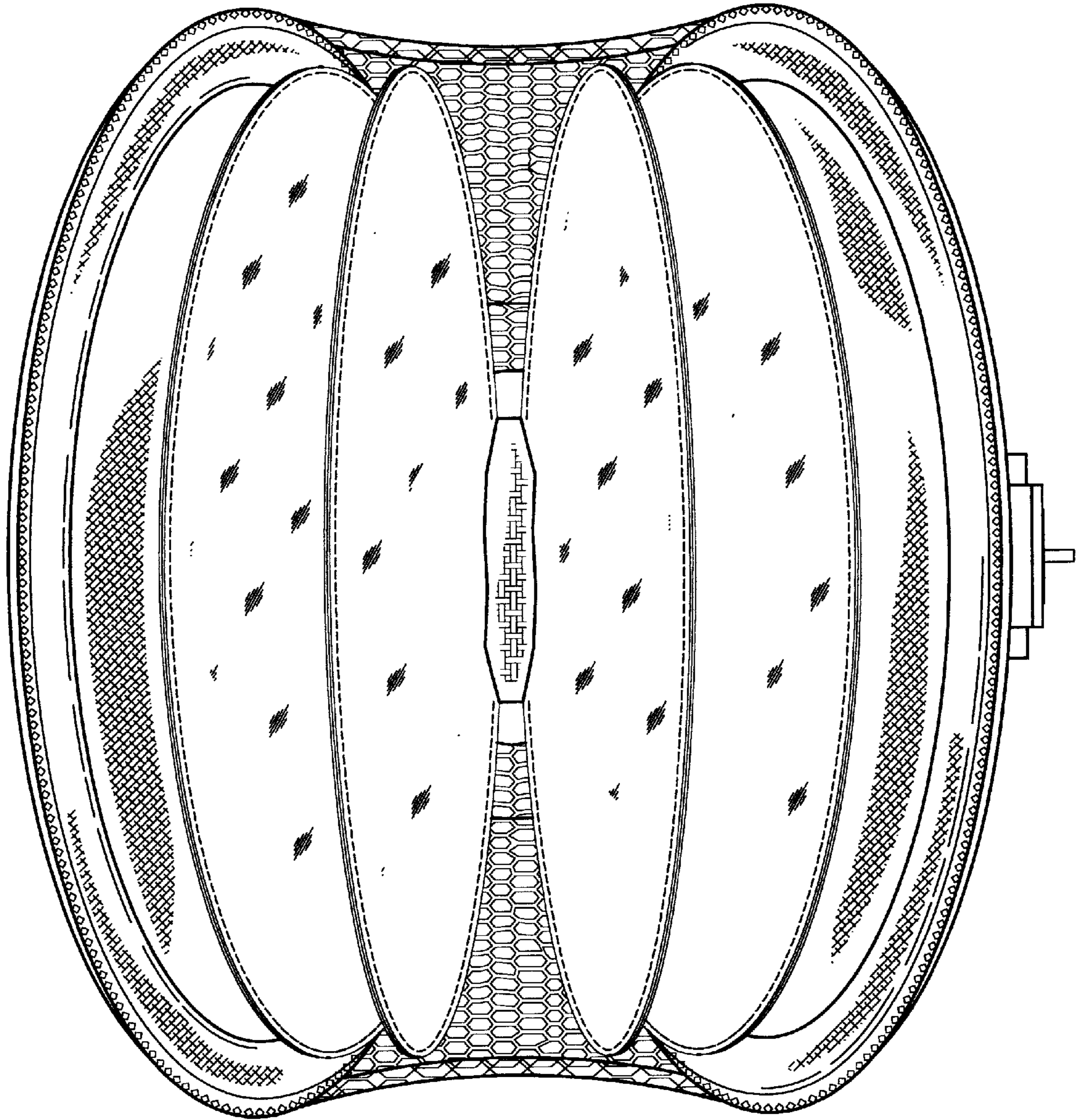
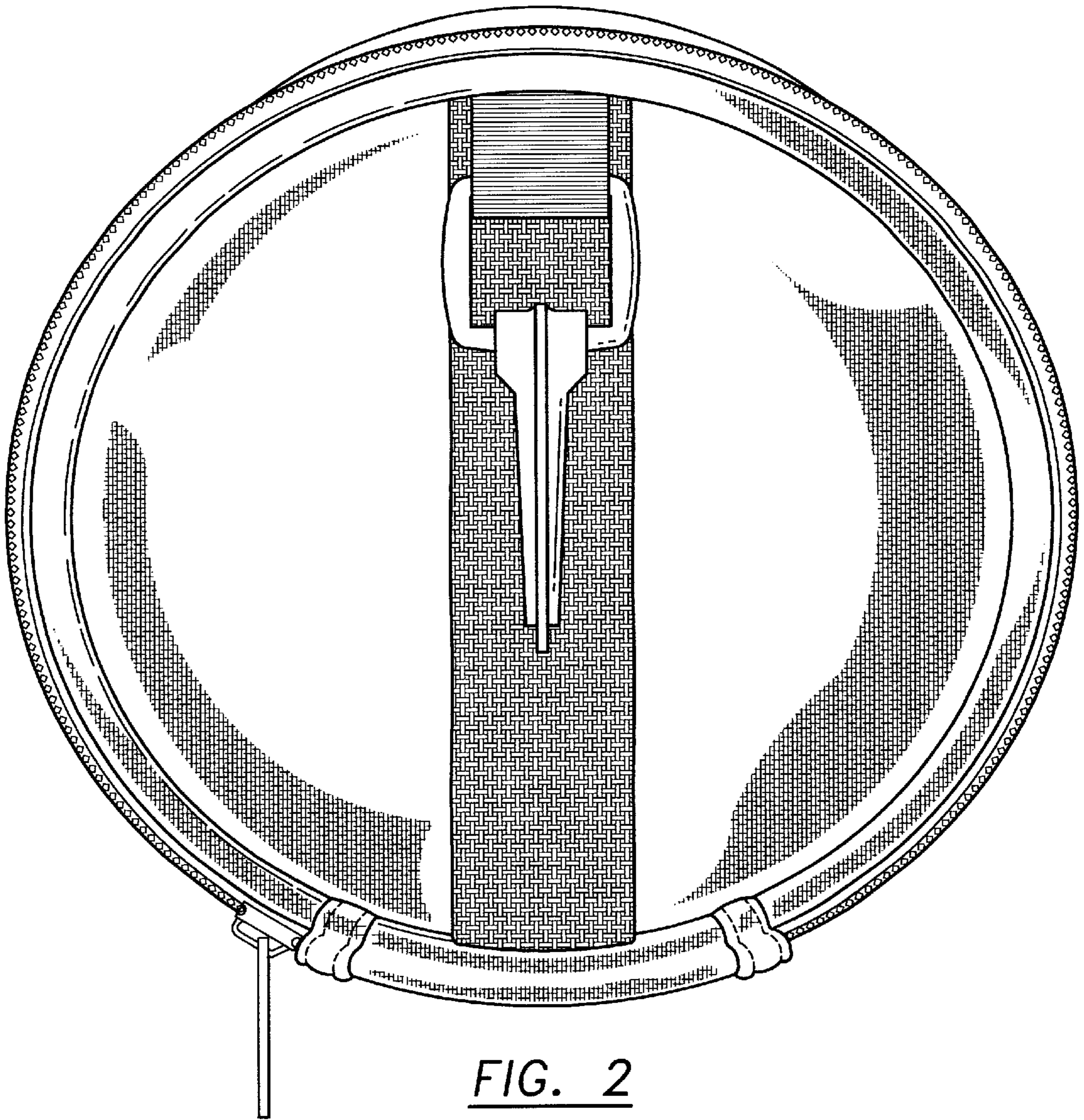


FIG. 1



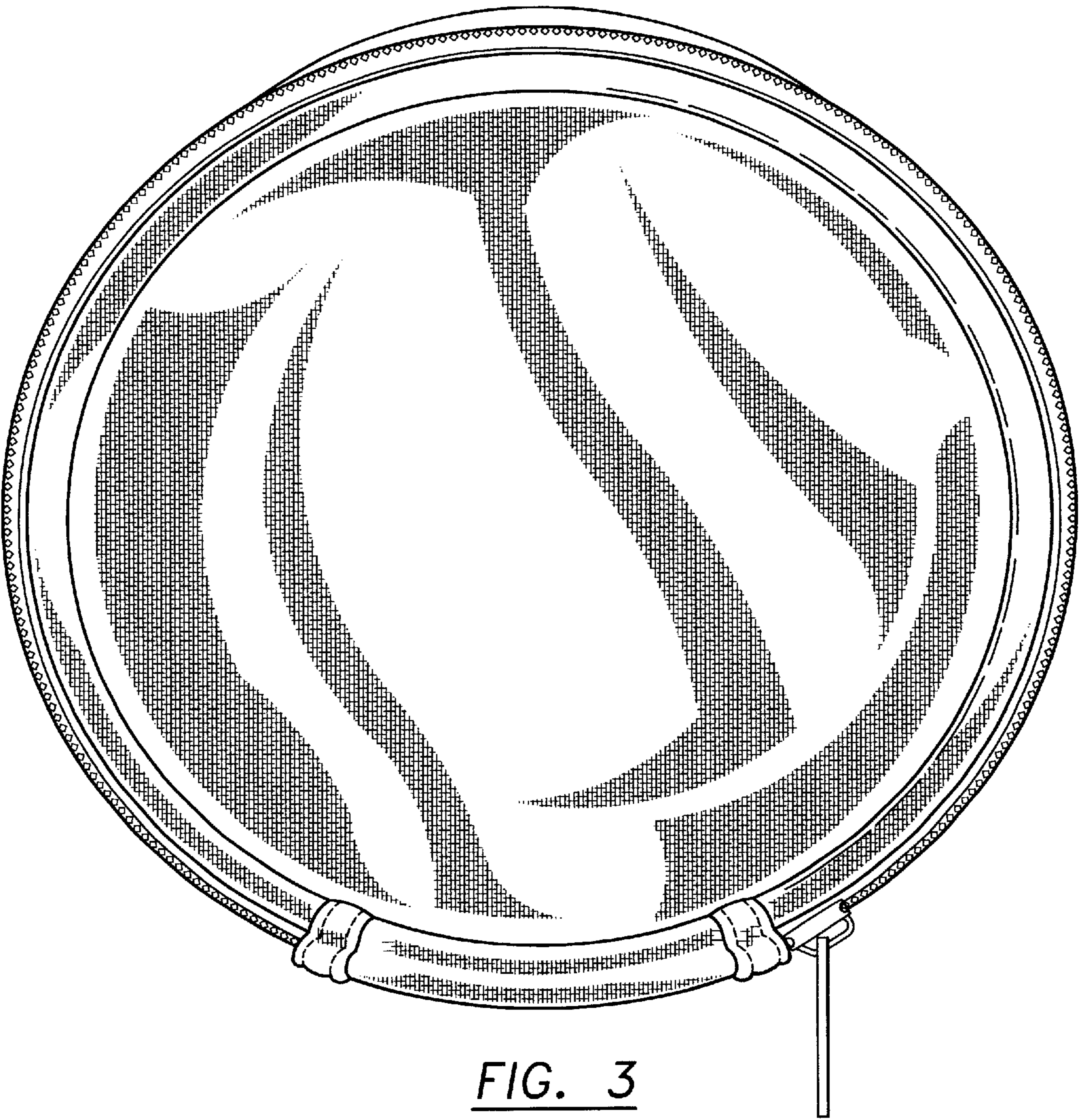


FIG. 3

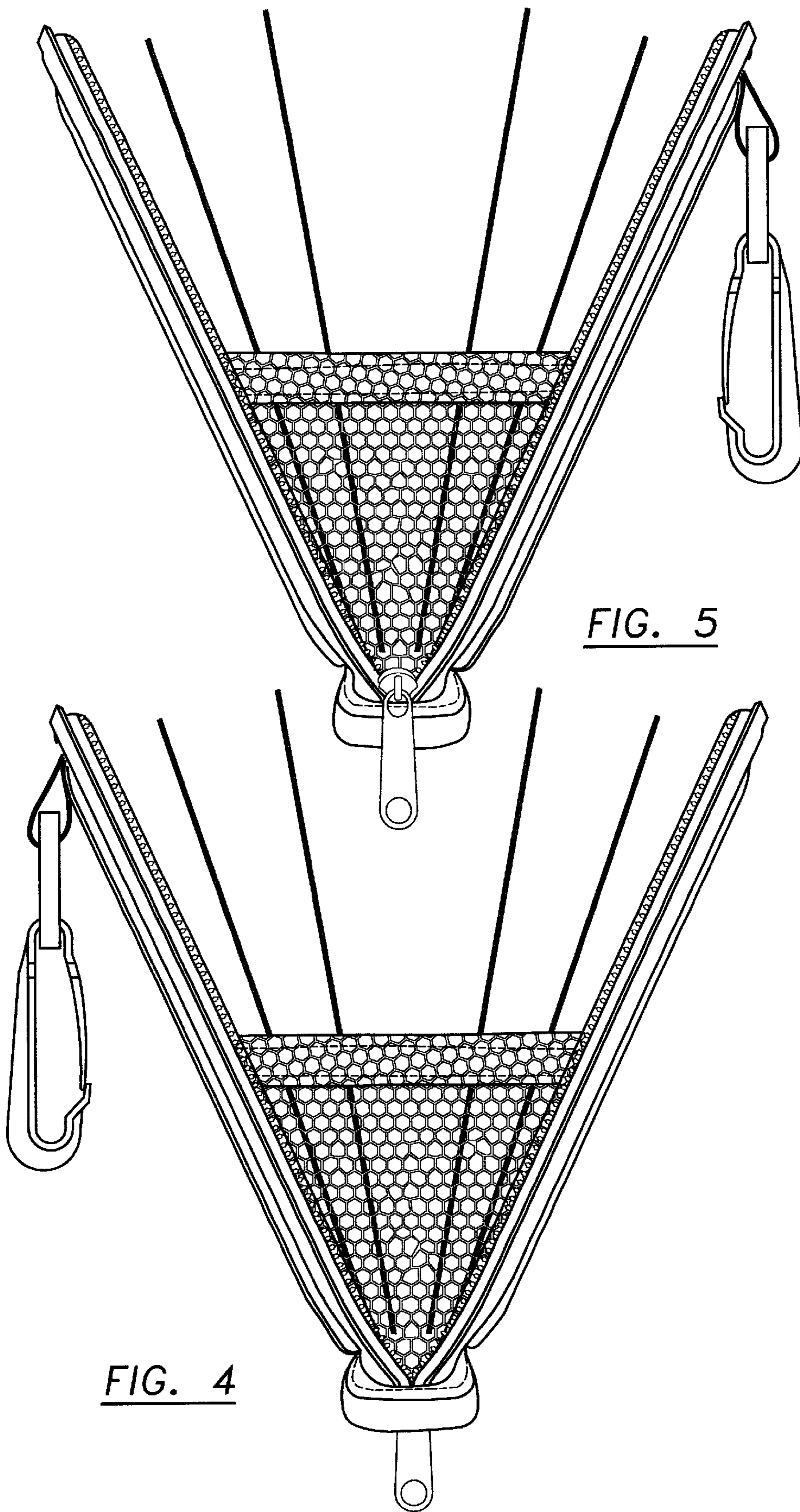


FIG. 5

FIG. 4

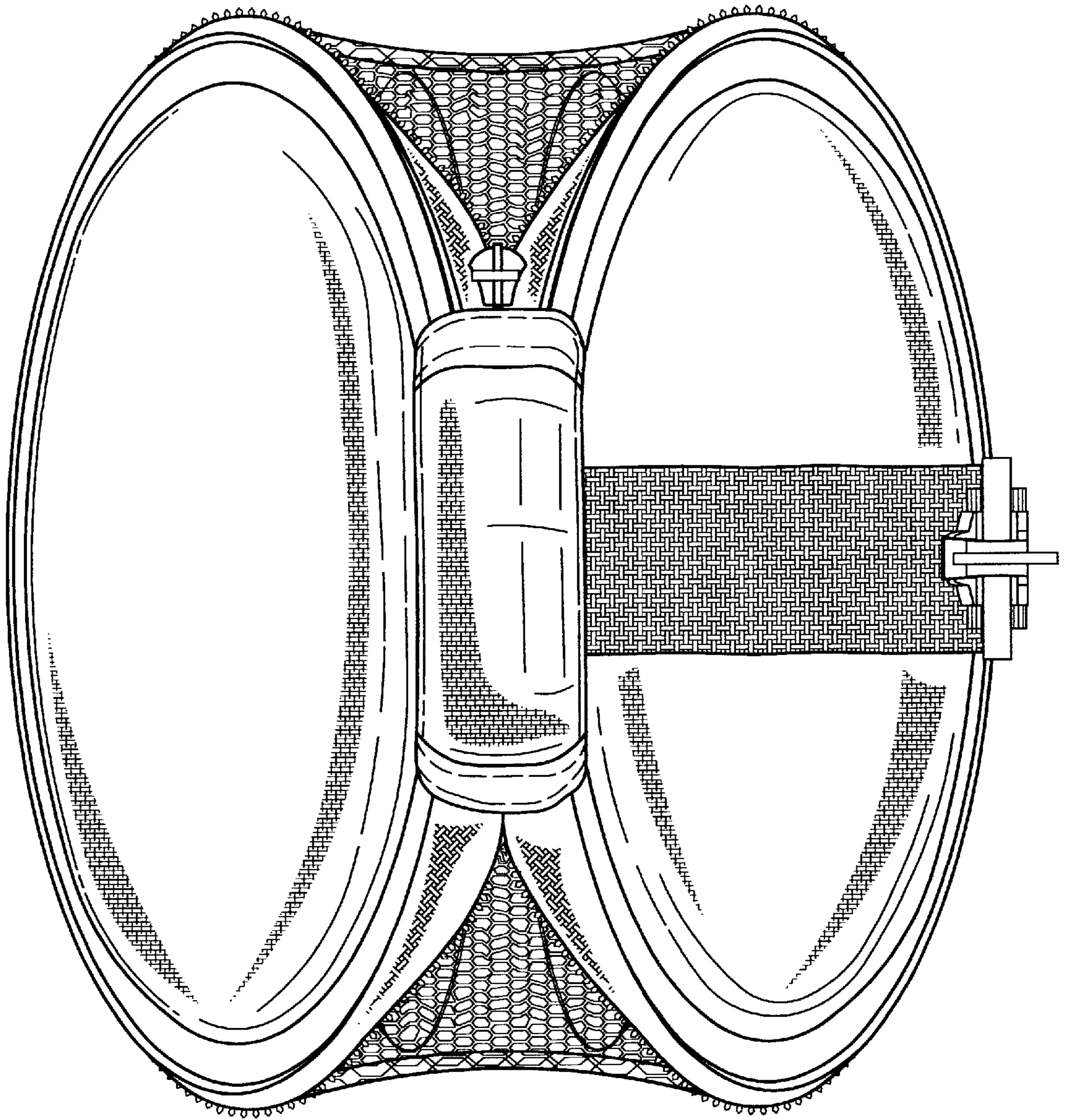


FIG. 6