

US00D456198S

(12) **United States Design Patent**
Ferguson

(10) **Patent No.:** **US D456,198 S**

(45) **Date of Patent:** **** Apr. 30, 2002**

(54) **PATIENT SUPPORT**

(76) Inventor: **Martin L. Ferguson**, 4811 Lawndale St., NW., Canton, OH (US) 44708

(**) Term: **14 Years**

(21) Appl. No.: **29/139,401**

(22) Filed: **Mar. 29, 2001**

(51) **LOC (7) Cl.** **06-09**

(52) **U.S. Cl.** **D6/601**

(58) **Field of Search** D6/595, 596, 597, D6/599, 601, 602, 603, 604, 605, 606, 608; 5/417, 418, 419, 420, 485, 486, 495, 499, 630, 631, 632, 633, 636, 637, 638, 639, 640, 641, 644, 645, 646, 648, 650, 651, 652, 652.1, 653, 654, 655, 655.3, 655.4, 655.9, 656, 657, 657.5, 663, 688, 690, 706, 710, 717, 718, 727, 731, 733, 736, 737, 739

4,654,907 A	*	4/1987	Haugaard	5/420
4,908,891 A	*	3/1990	Blagg	5/419
4,926,512 A	*	5/1990	Coyle	5/419
D318,392 S	*	7/1991	Edelson	D6/601
D359,191 S	*	6/1995	Whitebread et al.	D6/601
5,437,069 A	*	8/1995	Bates	5/633
D368,199 S	*	3/1996	Winslow et al.	5/419
5,522,793 A	*	6/1996	Cohen	5/633
5,755,492 A	*	5/1998	Iver	5/633
5,765,244 A	*	6/1998	Heidler	5/633
5,882,079 A	*	3/1999	Yang	5/419
6,009,873 A		1/2000	Neviaser	128/845
6,151,738 A	*	11/2000	Arr	5/633

* cited by examiner

Primary Examiner—Doris V. Coles
Assistant Examiner—T. Chase Nelson
(74) *Attorney, Agent, or Firm*—Sand & Sebolt

(57) **CLAIM**

The ornamental design for patient support, as shown and described.

DESCRIPTION

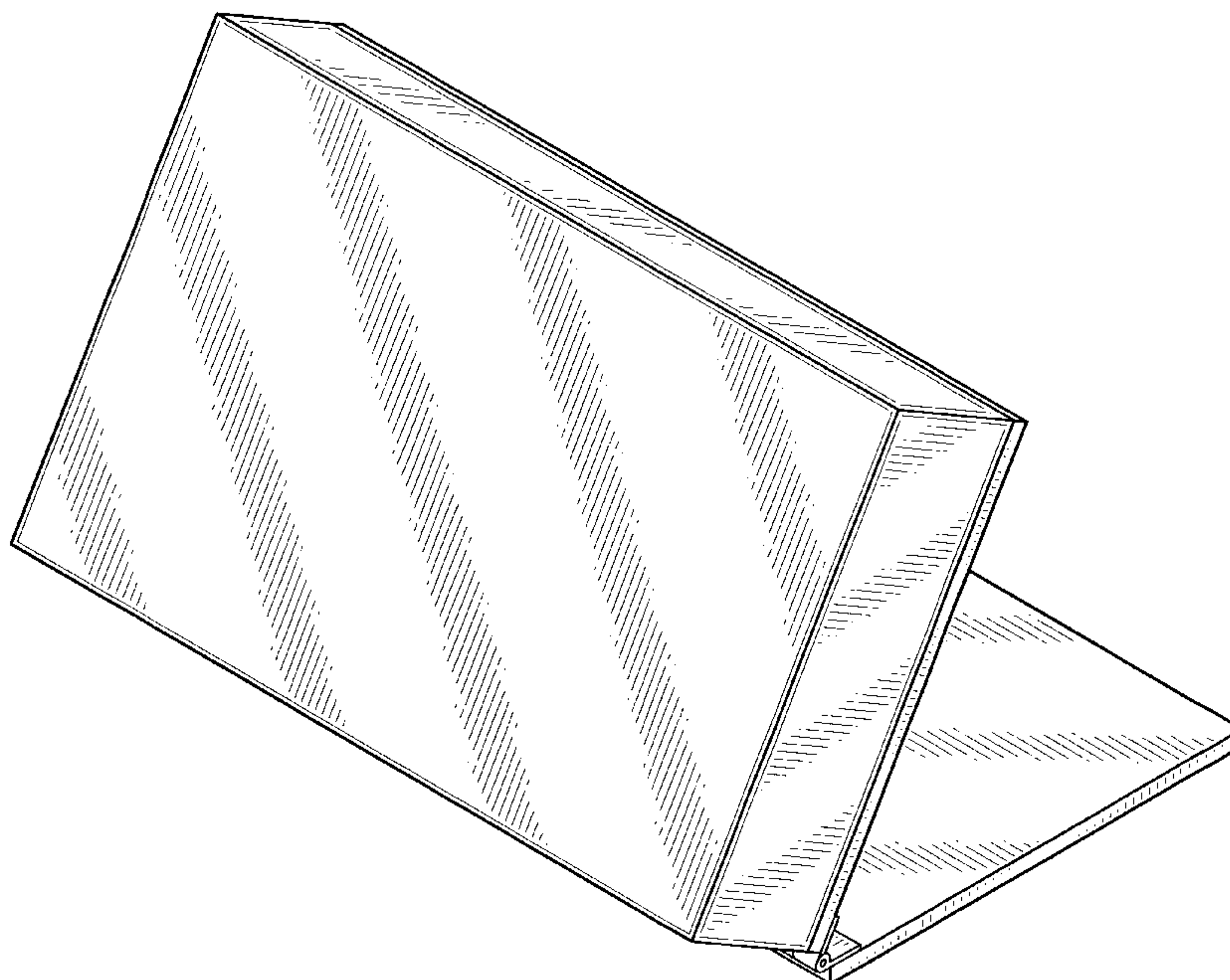
FIG. 1 is a front perspective view of the patient support showing my new design.
FIG. 2 is a rear perspective view of the patient support of FIG. 1.
FIG. 3 is a front elevation view of the patient support of FIG. 1.
FIG. 4 is a rear elevation view of FIG. 3.
FIG. 5 is a top plan view of FIG. 3.
FIG. 6 is a bottom plan view of FIG. 3.
FIG. 7 is a right side elevation view of FIG. 3; and,
FIG. 8 is a left side elevation view of FIG. 3.

1 Claim, 5 Drawing Sheets

(56) **References Cited**

U.S. PATENT DOCUMENTS

74,786 A	*	2/1868	Annis	5/640
120,498 A		10/1871	Couch		
177,511 A		5/1876	Hofmann		
273,974 A		3/1883	Everiss		
1,151,894 A		8/1915	Meinecke		
2,107,962 A		2/1938	Sheasby	5/71
2,817,857 A	*	12/1957	Hockensmith	5/656
3,298,477 A	*	1/1967	Martinez	5/656
3,565,419 A		2/1971	Allard	269/325
3,817,509 A		6/1974	Komline	269/322
4,190,918 A	*	3/1980	Harvell	D6/601
4,536,032 A	*	8/1985	Highberger	5/653
4,597,605 A	*	7/1986	Gilbert	D6/601



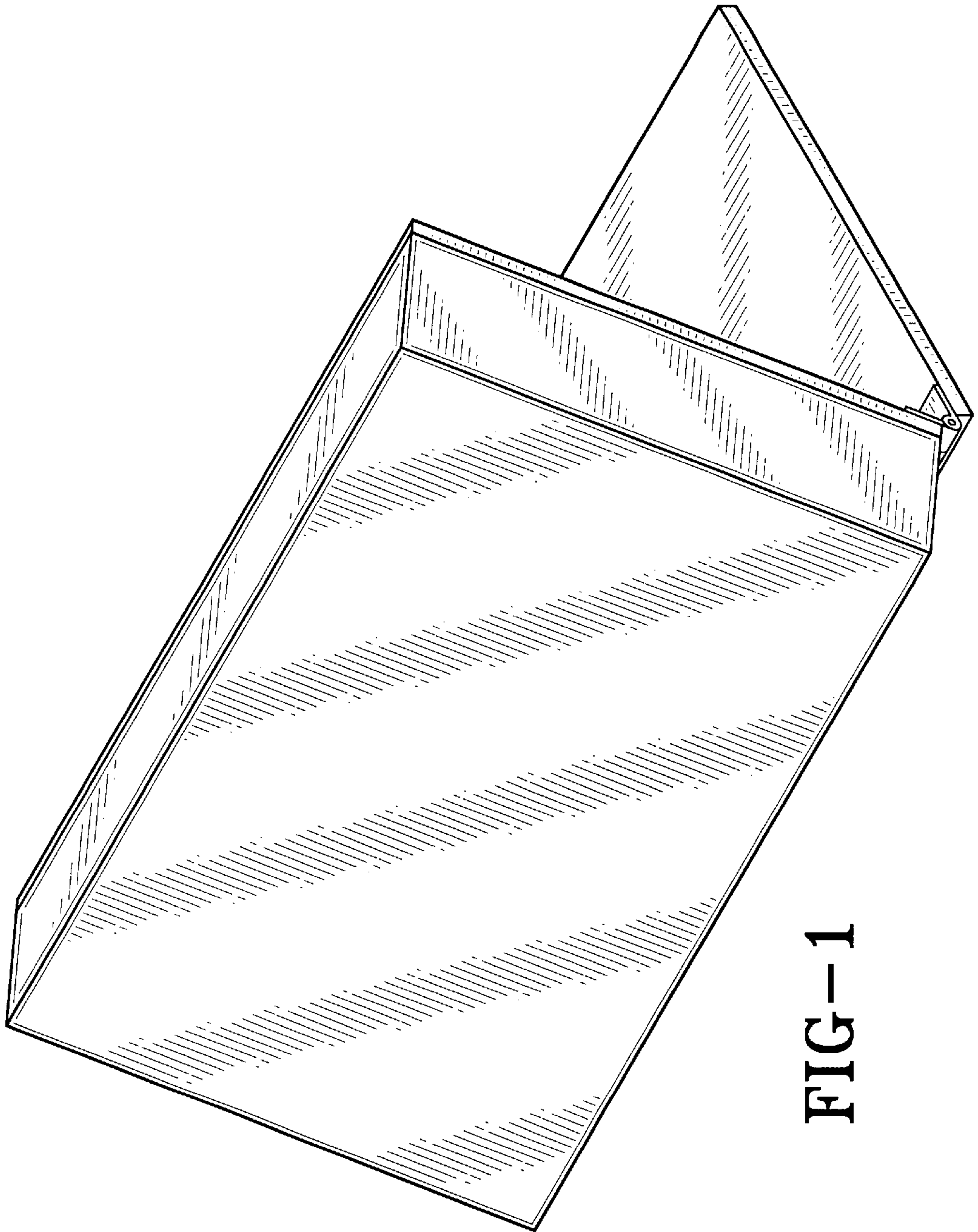


FIG-1

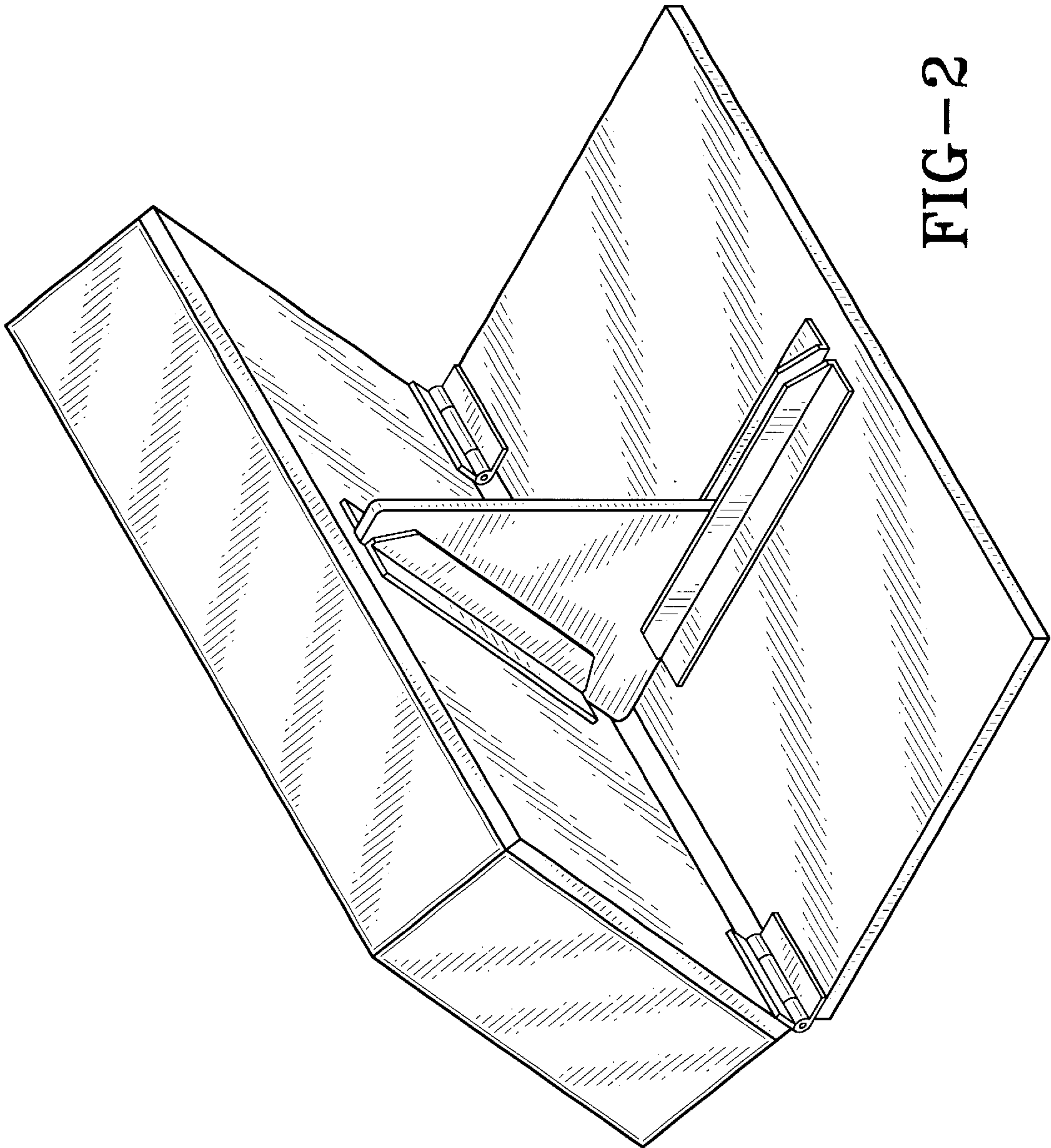


FIG-2

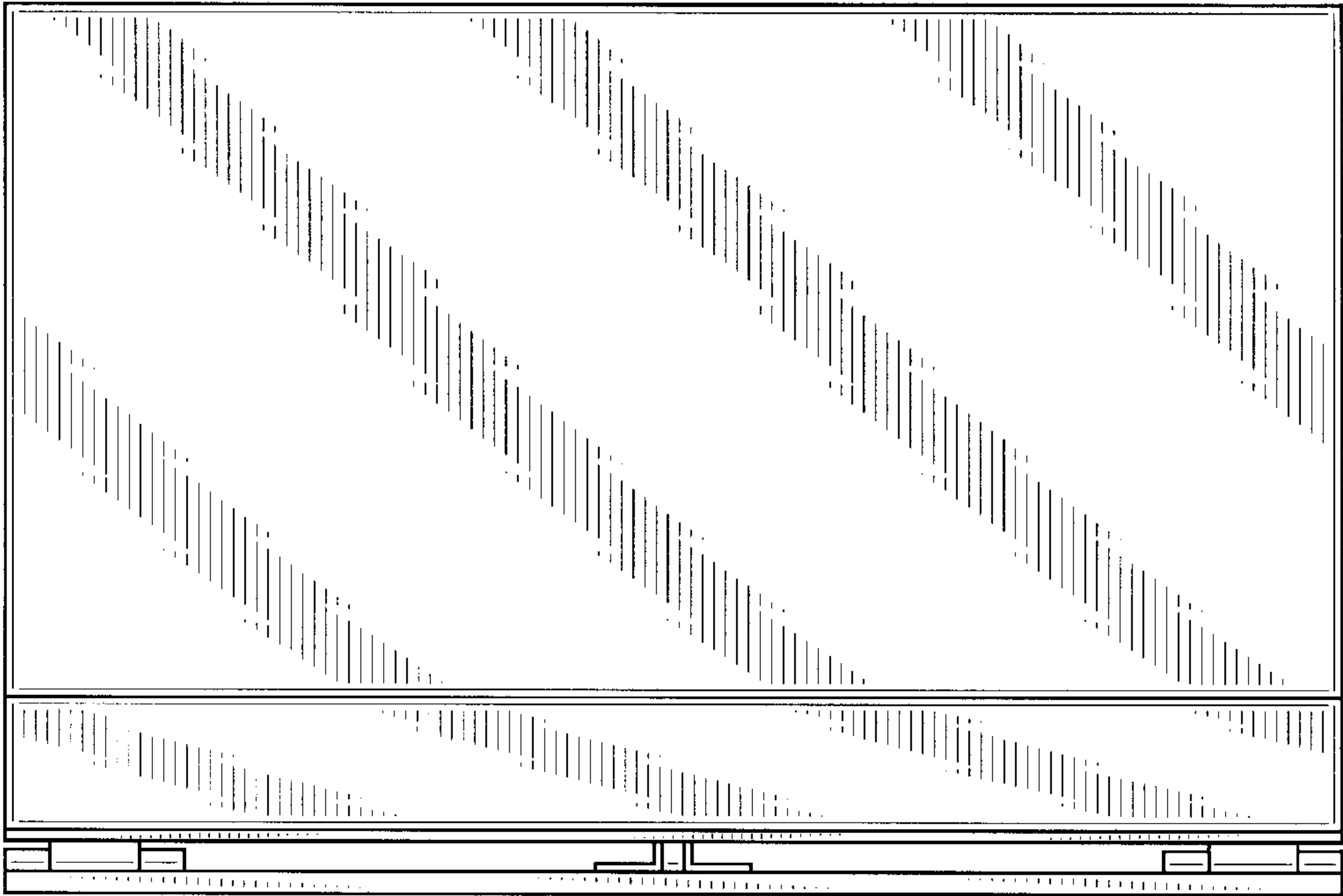


FIG-3

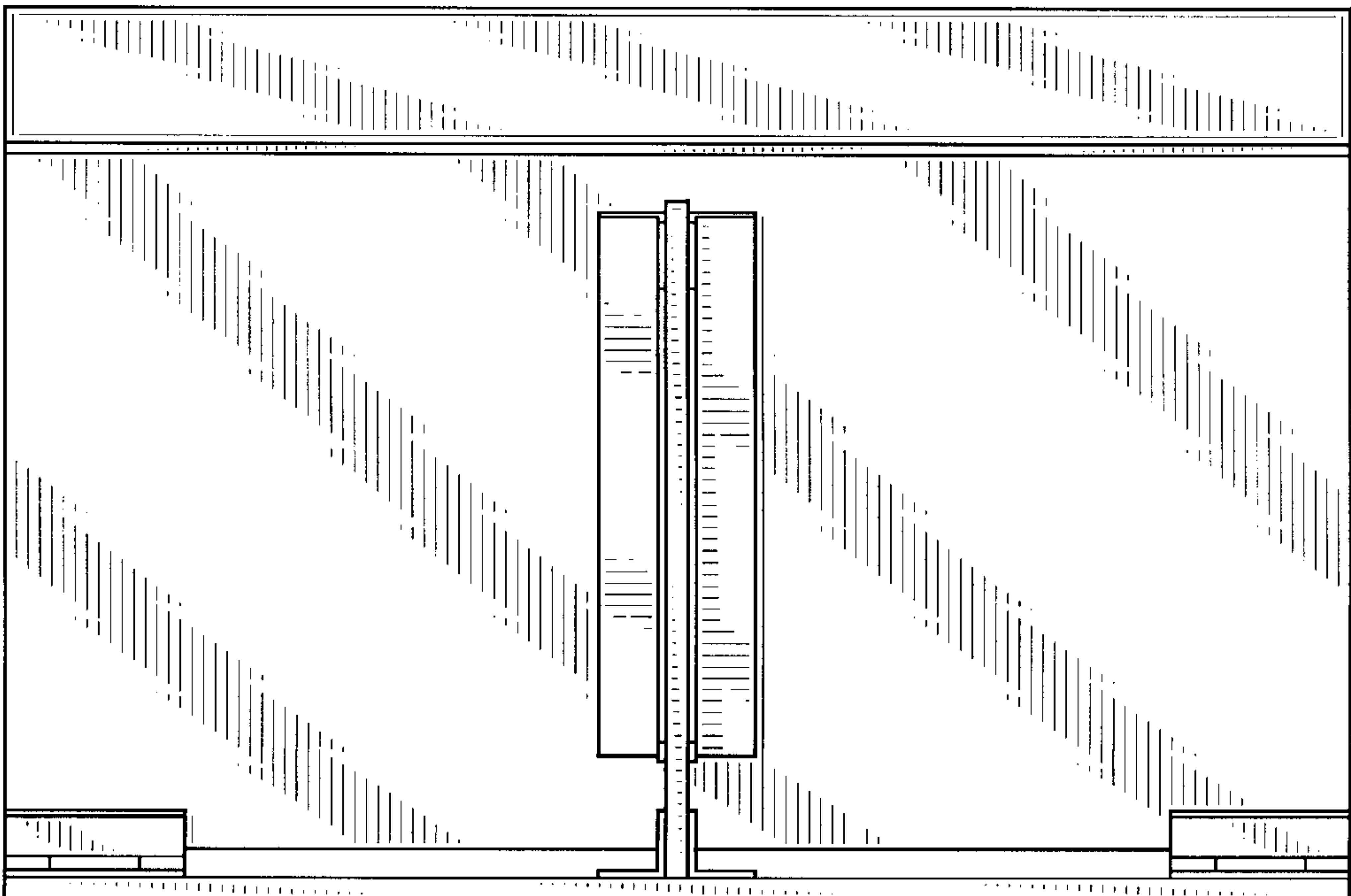


FIG-4

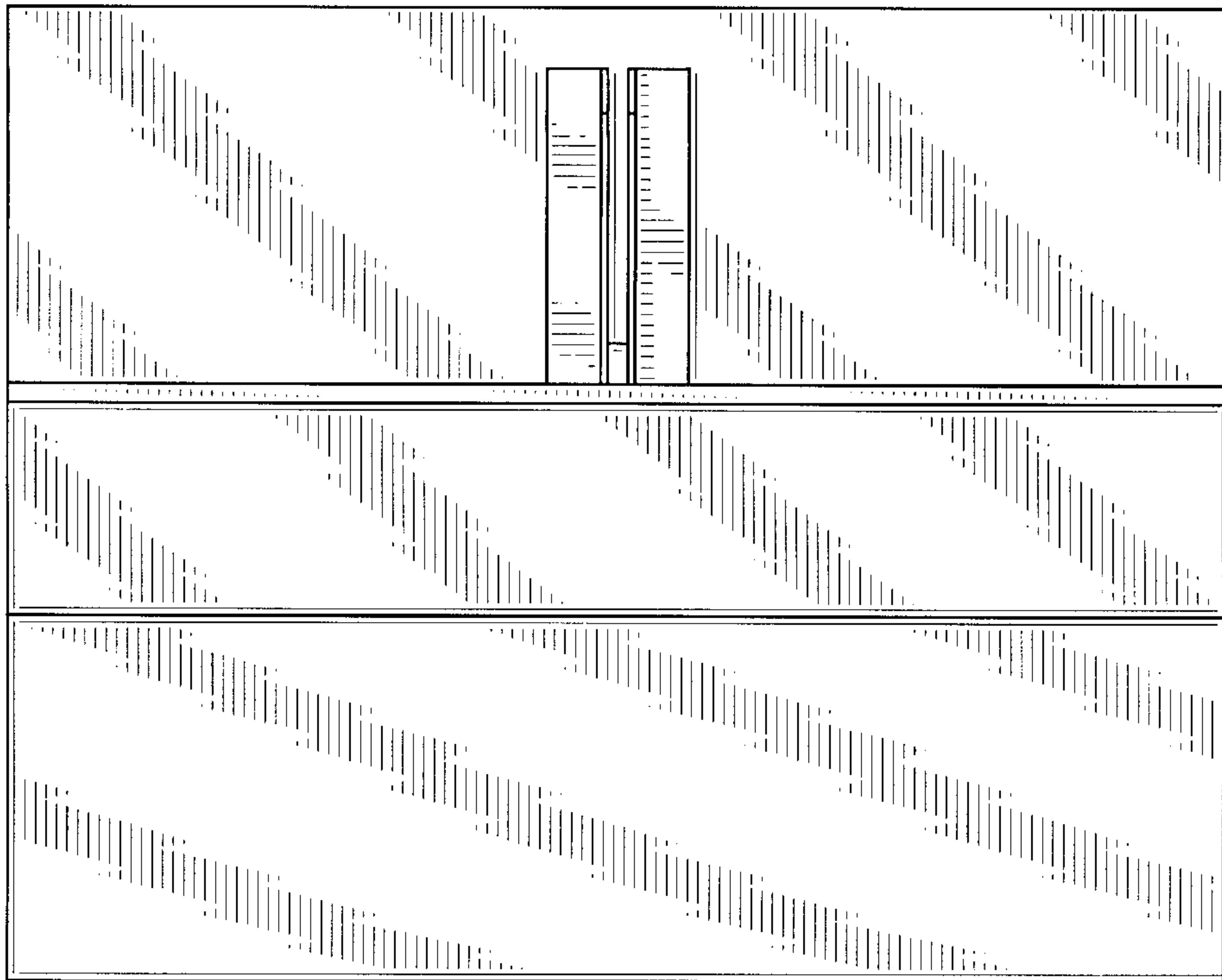


FIG-5

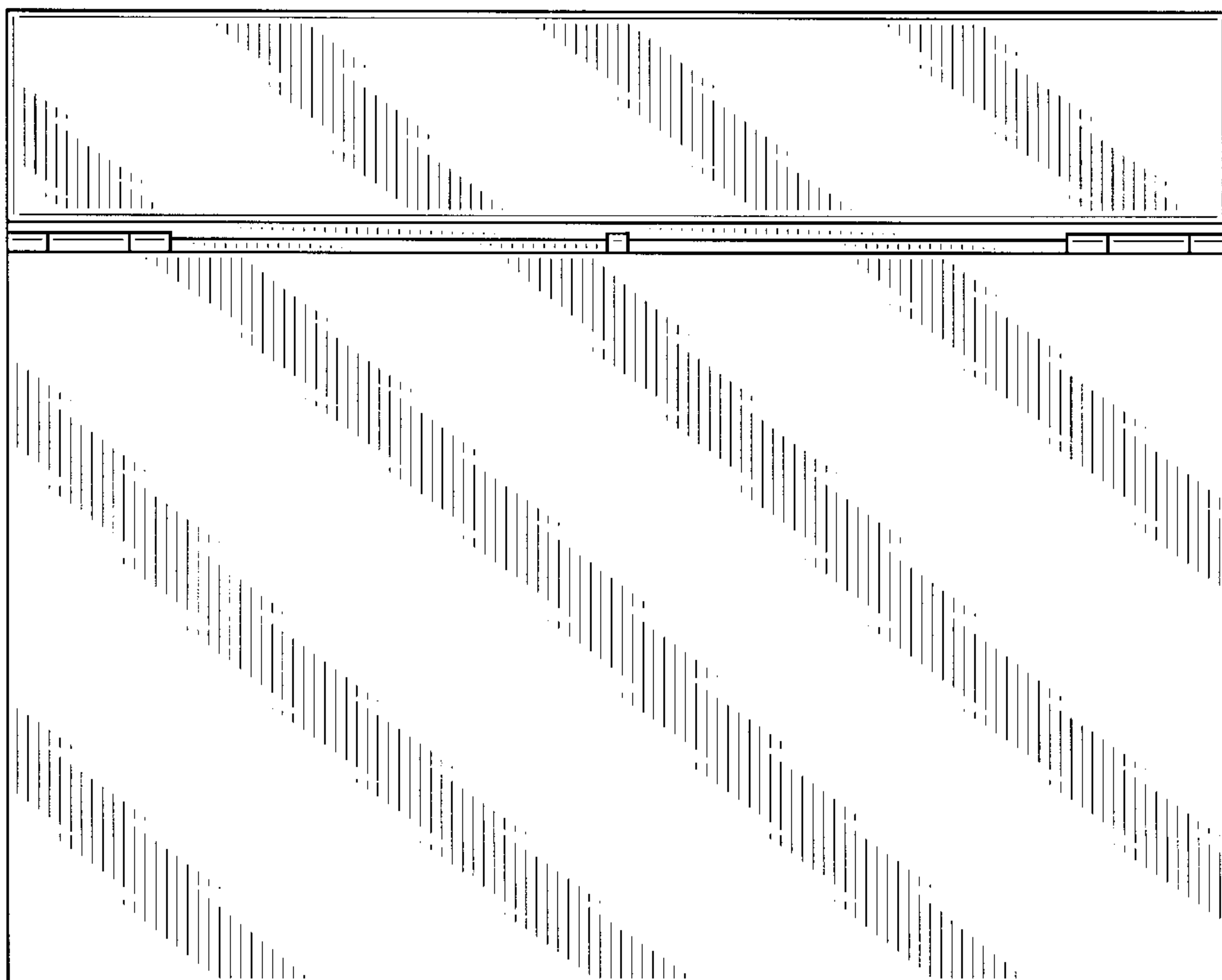


FIG-6

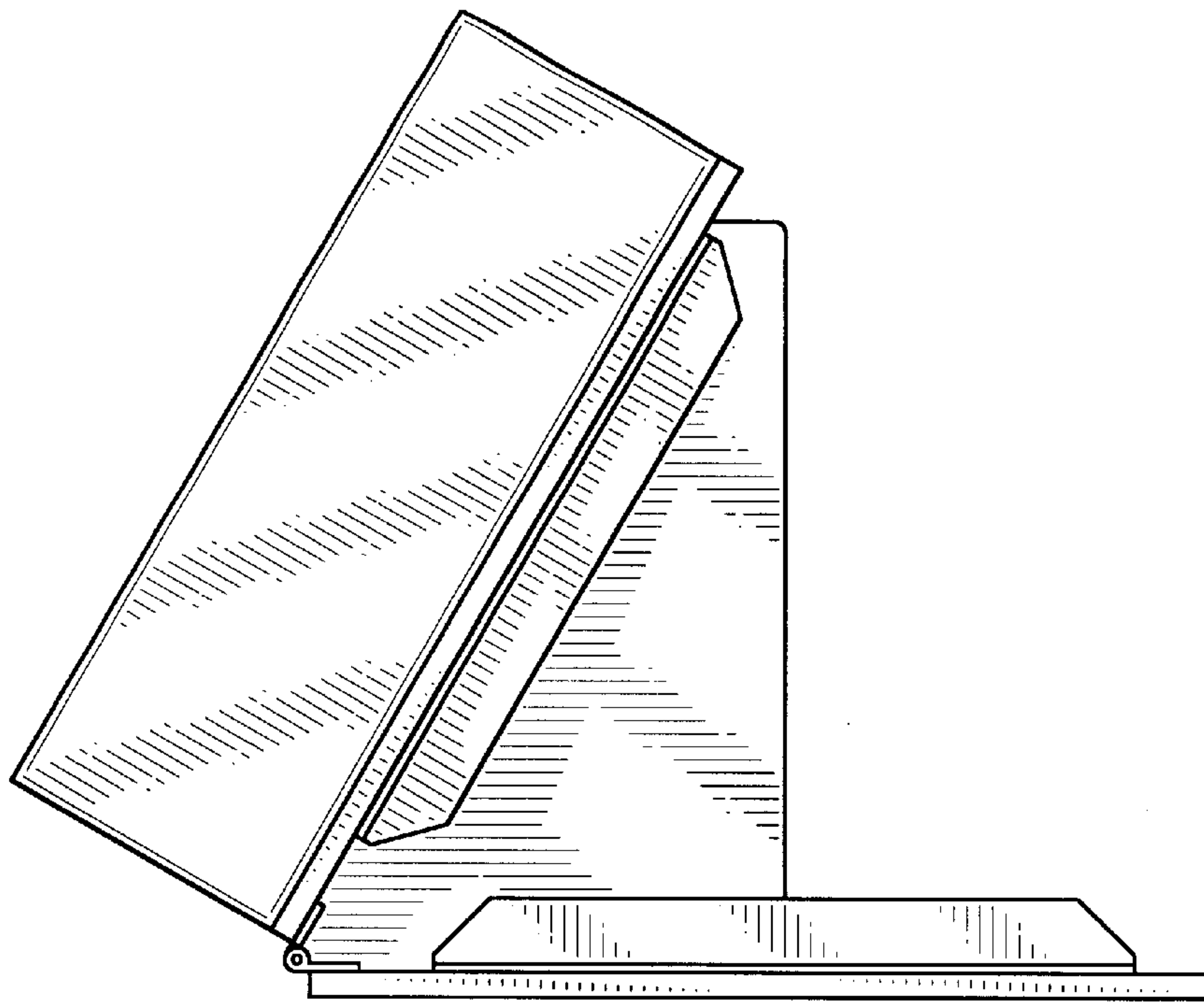


FIG-7

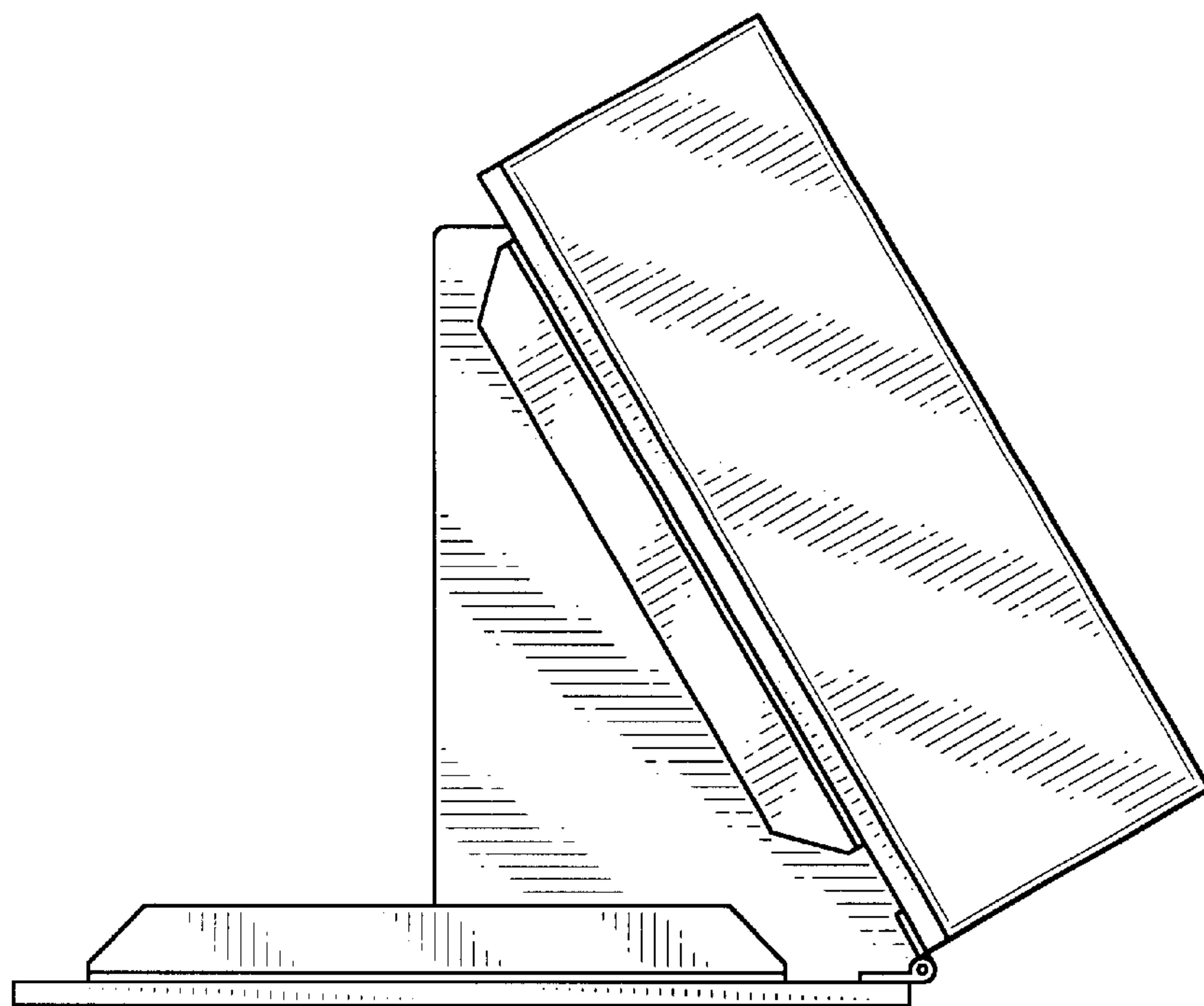


FIG-8