



US00D456197S

(12) **United States Design Patent**  
**McClure et al.**

(10) **Patent No.:** **US D456,197 S**  
(45) **Date of Patent:** **\*\* Apr. 30, 2002**

(54) **MATTRESS PAD CONFIGURATION**

(75) Inventors: **Ted McClure**, Richmond; **Robert J. Rose**, Chesterfield; **Steve D. Hawkins**, Midlothian, all of VA (US)

(73) Assignee: **Carpenter Co.**, Richmond, VA (US)

(\*\*) Term: **14 Years**

(21) Appl. No.: **29/139,373**

(22) Filed: **Mar. 30, 2001**

(51) **LOC (7) Cl.** ..... **06-09**

(52) **U.S. Cl.** ..... **D6/596**

(58) **Field of Search** ..... D6/595, 596, 597, D6/599, 601, 602, 603, 604, 605, 606, 608; D8/403; 5/417, 418, 419, 420, 485, 486, 495, 499, 630, 631, 632, 633, 636, 637, 638, 639, 640, 641, 644, 645, 646, 648, 650, 651, 652, 652.1, 653, 654, 655, 655.3, 655.4, 655.9, 656, 657, 657.5, 663, 688, 690, 706, 710, 717, 718, 727, 731, 733, 736, 737, 739; 15/208, 209.1, 210.1

(56) **References Cited**

**U.S. PATENT DOCUMENTS**

4,070,719	A	1/1978	Morgan	
4,603,445	A	8/1986	Spann	
4,809,374	A	3/1989	Saviez	
5,111,542	A	5/1992	Farley	
D329,566	S	9/1992	Davidson, Jr.	
D339,018	S	* 9/1993	Main	..... D6/595
5,252,278	A	* 10/1993	Spann et al.	..... 5/731
D355,322	S	* 2/1995	Ackley et al.	..... D6/605
D365,956	S	1/1996	Bonaddio et al.	
D366,175	S	1/1996	Bonaddio et al.	

D381,543	S	7/1997	Farley	
D391,434	S	3/1998	Denney et al.	
D394,578	S	* 5/1998	Raburn	..... D6/596
D395,780	S	7/1998	Denney et al.	
D414,065	S	9/1999	Henson	
D416,739	S	11/1999	Denney et al.	
D416,740	S	11/1999	Denney et al.	
D417,355	S	12/1999	Denney et al.	
D419,356	S	1/2000	Denney et al.	
D421,358	S	3/2000	Henson	
D433,861	S	* 11/2000	Rose et al.	..... D6/596
D446,071	S	* 8/2001	Hawkins et al.	..... D6/596

\* cited by examiner

*Primary Examiner*—Doris V. Coles

*Assistant Examiner*—T. Chase Nelson

(74) *Attorney, Agent, or Firm*—Smith, Gambrell & Russell, LLP

(57) **CLAIM**

The ornamental design for a mattress pad configuration, as shown and described.

**DESCRIPTION**

FIG. 1 is a top perspective view of a mattress pad configuration of the present invention;

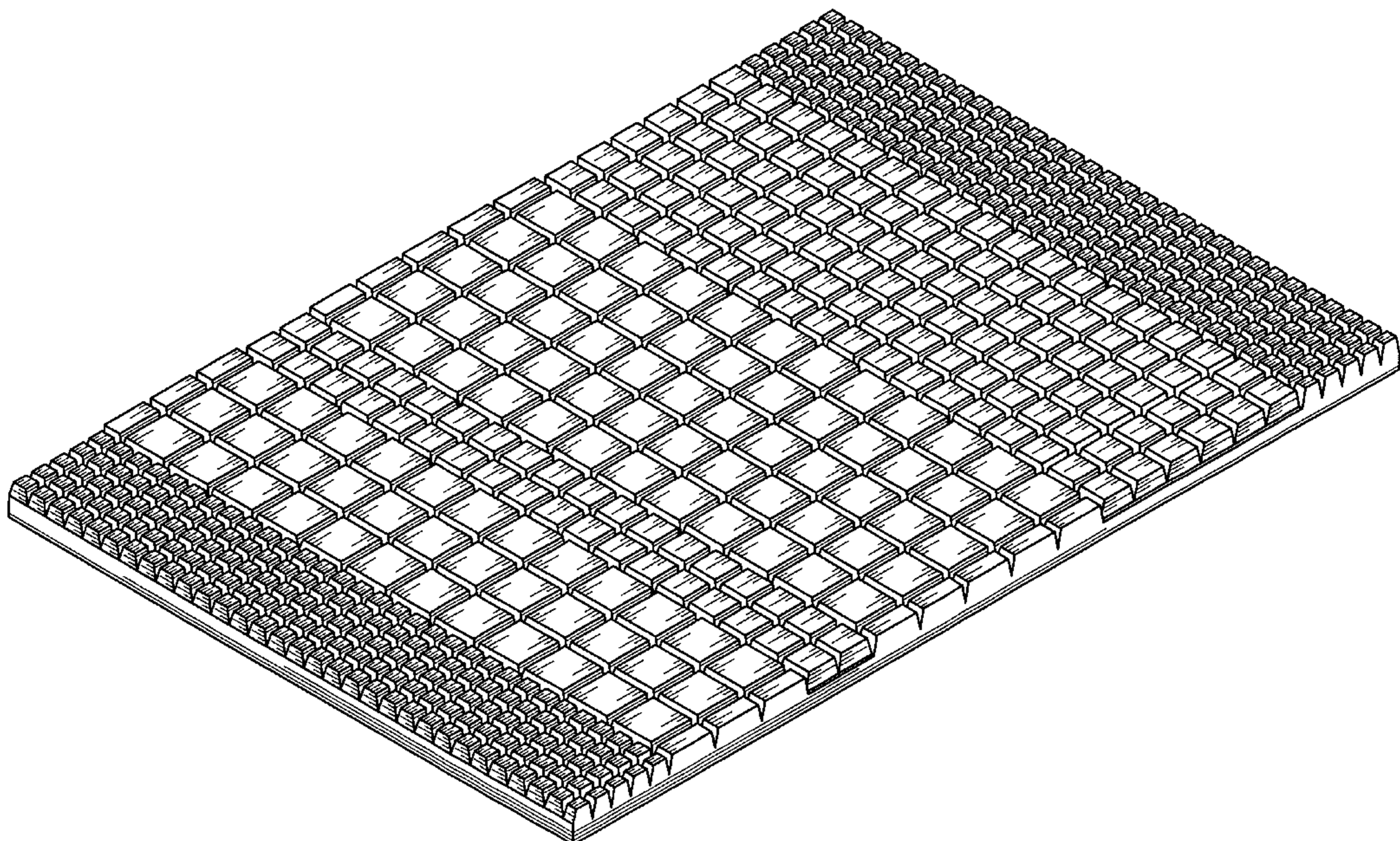
FIG. 2 shows a top plan view thereof (with the bottom thereof forming no part of the claimed design);

FIG. 3 is a left end elevational view (the right side being the same);

FIG. 4 is a near side elevational view of that which is shown in FIG. 1 (the far side elevational view being a mirror image thereof); and,

FIG. 5 is an enlarged fragmentary top plan view thereof of the section within the dashed lines in FIG. 2.

**1 Claim, 3 Drawing Sheets**



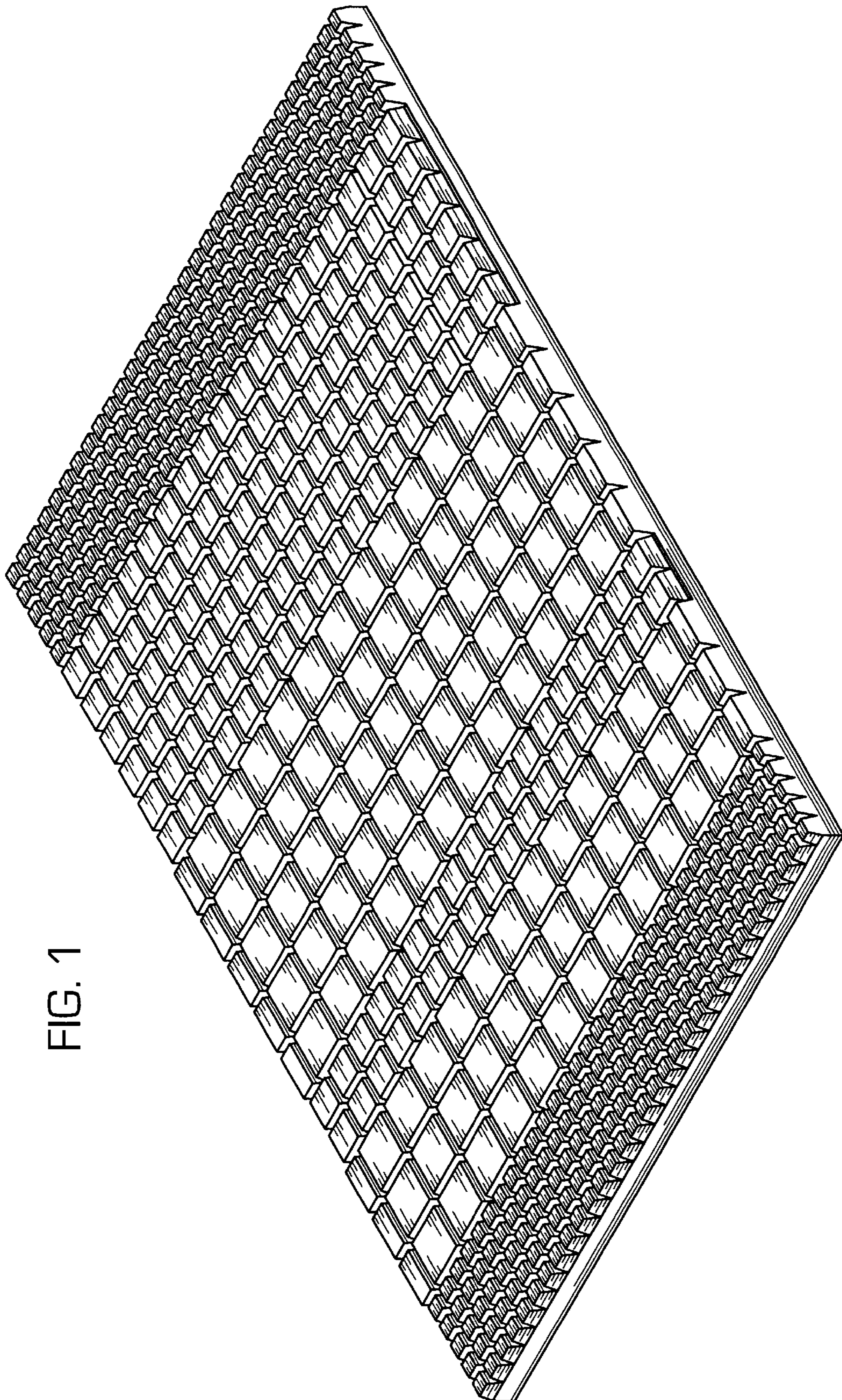


FIG. 1

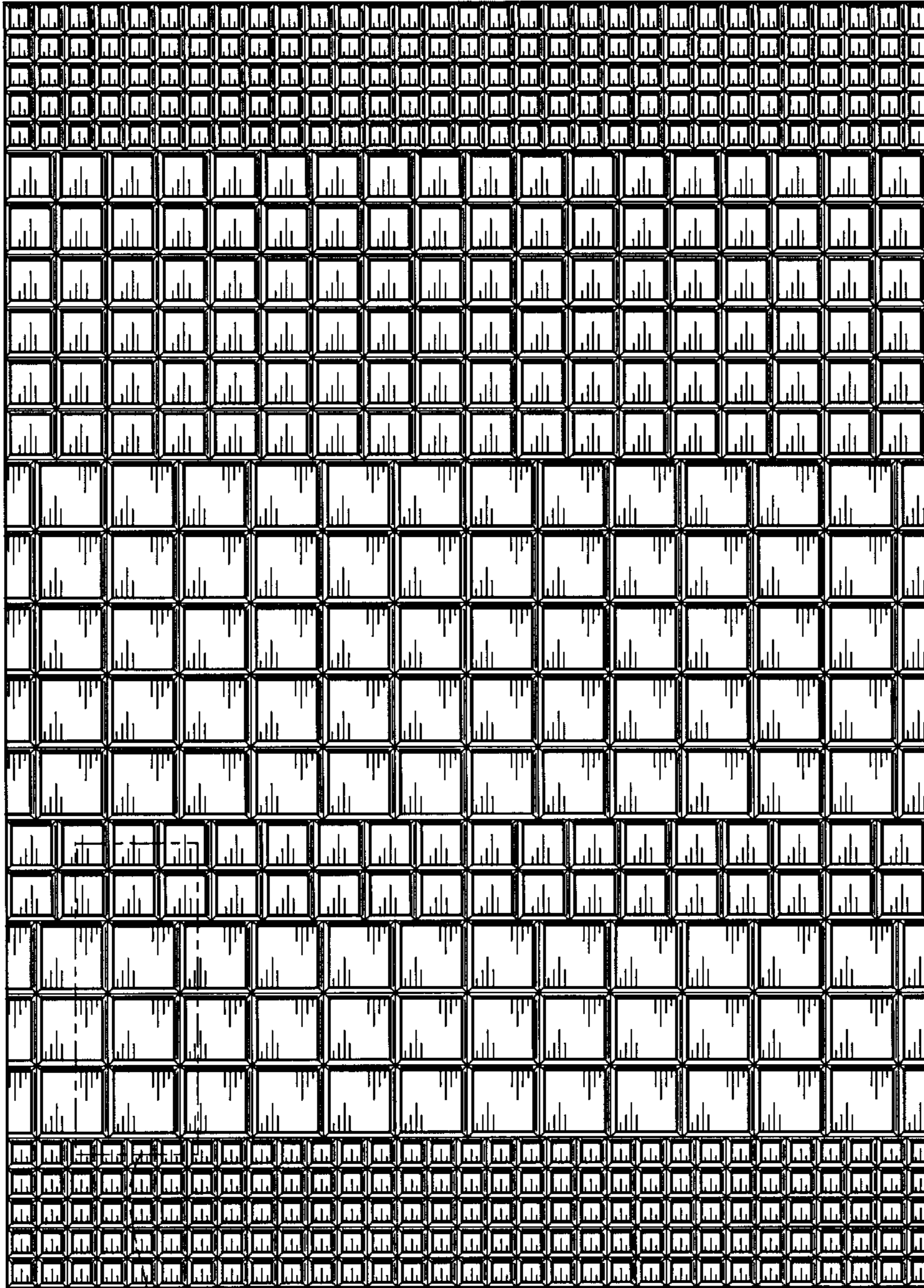


FIG. 5

FIG. 2



FIG. 3



FIG. 4

FIG. 5

