



US00D456195S

(12) **United States Design Patent**  
**Meck et al.**

(10) **Patent No.:** **US D456,195 S**

(45) **Date of Patent:** **\*\* Apr. 30, 2002**

(54) **TOWEL BAR**

(75) Inventors: **Leslie A. Meck**, Fleetwood; **Randy S. Cramer**, Lebanon; **Daniel J. Roche**, Wyomissing; **Renee K. Chester**, Royersford, all of PA (US)

(73) Assignee: **Baldwin Hardware Corporation**, Reading, PA (US)

(\*\*) Term: **14 Years**

(21) Appl. No.: **29/131,782**

(22) Filed: **Oct. 27, 2000**

(51) **LOC (7) Cl.** ..... **06-04**

(52) **U.S. Cl.** ..... **D6/549**

(58) **Field of Search** ..... D6/546-50, 518, D6/522-24; D8/300, 315-21, 354, 363, 373, 380; 108/28-29; 211/13.1, 16, 60.1, 86.01, 87.01, 88.04, 100, 105.1-105.2, 123, 181.1, 182; 248/175, 176.1, 251, 302; 16/110.1, 412, 415; 242/570, 590, 595-598; 206/389

(56) **References Cited**

**U.S. PATENT DOCUMENTS**

D274,035 S \* 5/1984 Pawlow ..... D8/316  
D361,066 S \* 8/1995 Langhorn e al. .... D14/142

D369,931 S \* 5/1996 Shames et al. .... D6/524  
D377,570 S \* 1/1997 Sharpe ..... D6/524  
D426,095 S \* 6/2000 Chen ..... D6/549  
D432,842 S \* 10/2000 Gastelum et al. .... D6/549

\* cited by examiner

*Primary Examiner*—Brian N. Vinson

(74) *Attorney, Agent, or Firm*—Myron B. Kapustij; Lloyd D. Doigan

(57) **CLAIM**

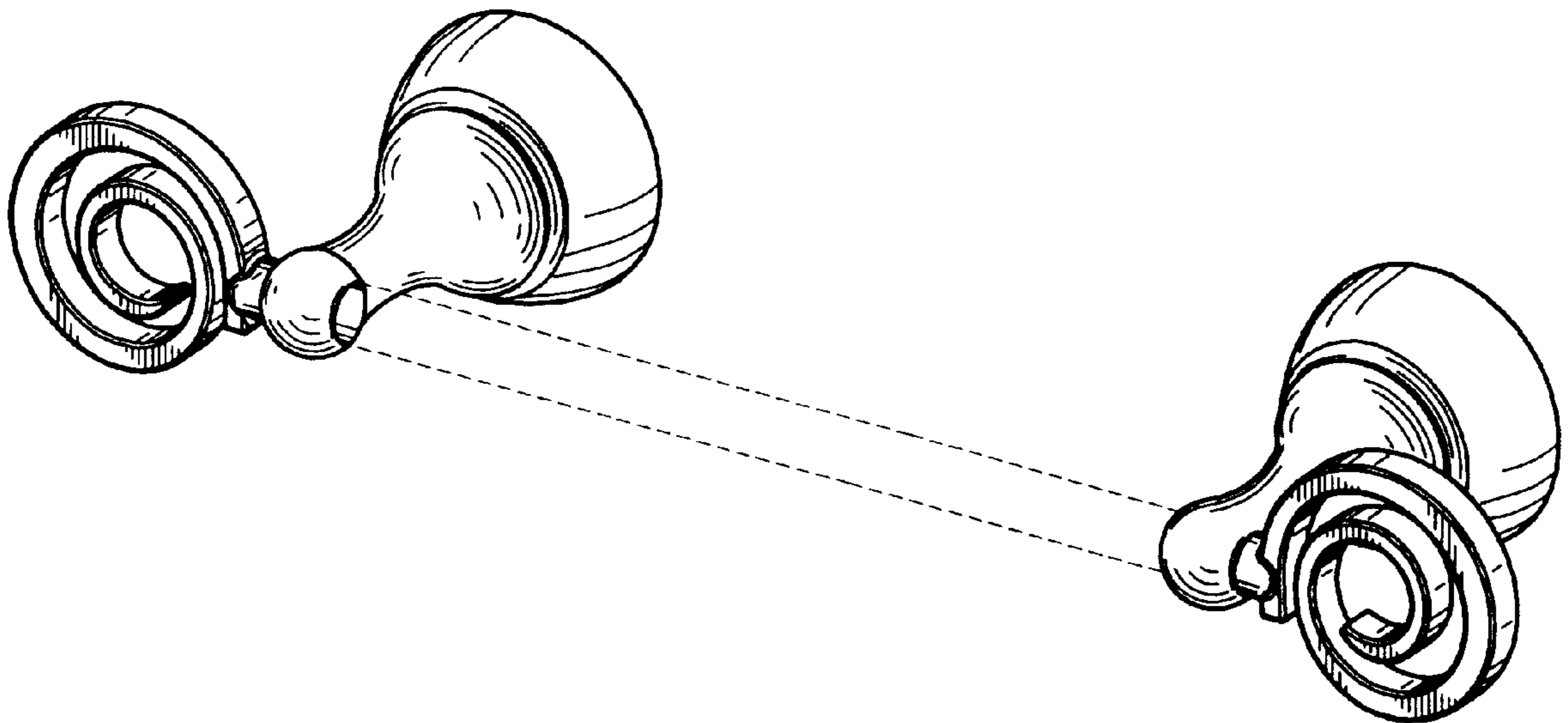
The ornamental design for a towel bar, as shown and described.

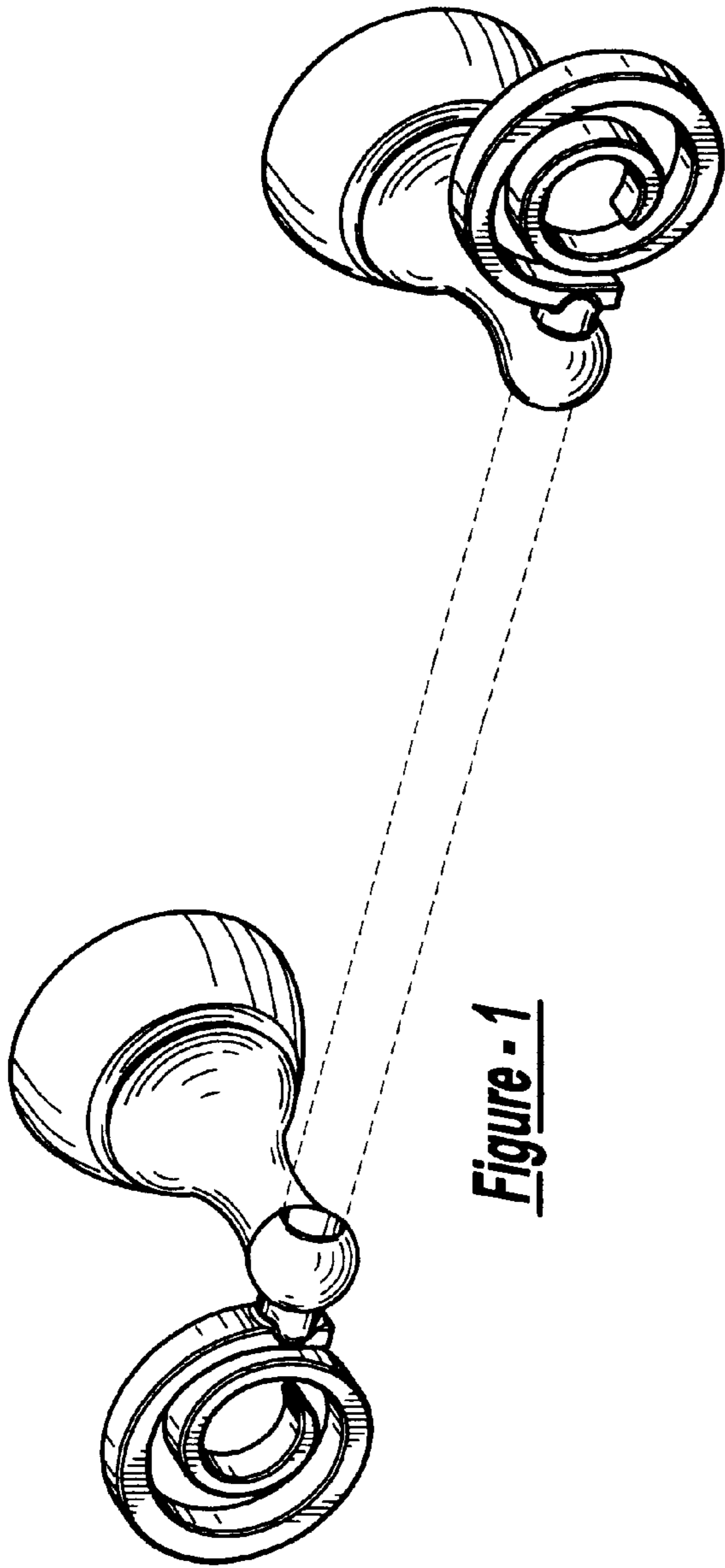
**DESCRIPTION**

FIG. 1 is a top perspective view of a double towel bar showing our new design;  
FIG. 2 is a bottom plan view thereof;  
FIG. 3 is a front elevational view thereof;  
FIG. 4 is a top plan view thereof;  
FIG. 5 is a left side elevational view thereof;  
FIG. 6 is a right side elevational view thereof; and,  
FIG. 7 is a rear elevational view thereof.

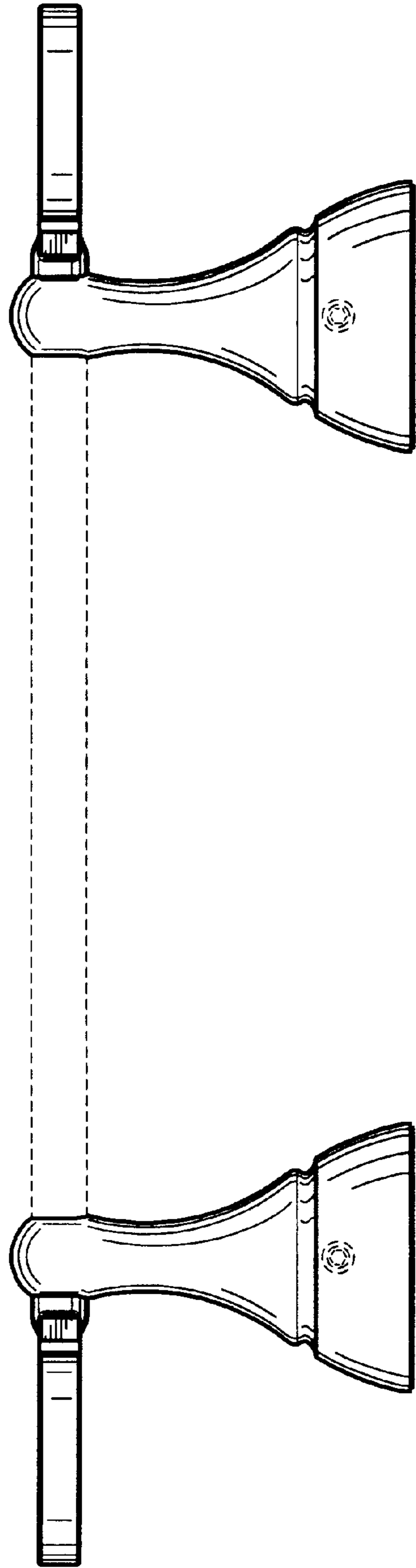
The broken line showing of the set screws in FIGS. 2 and 3 and of the cylindrical bar in FIGS. 1-4 and 7 are for purposes of illustration only and form no part of the claimed design.

**1 Claim, 4 Drawing Sheets**





**Figure - 1**



**Figure - 2**

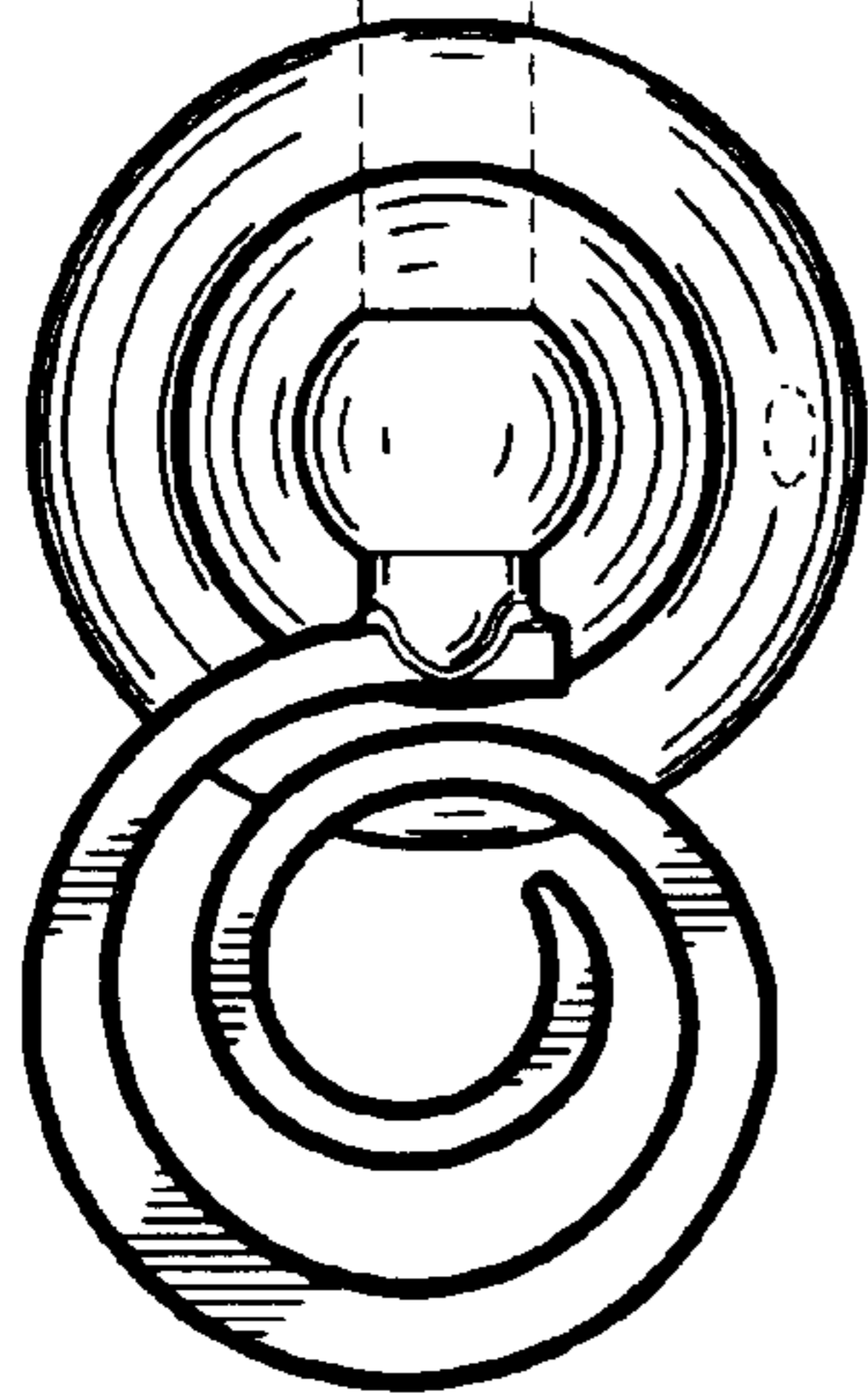
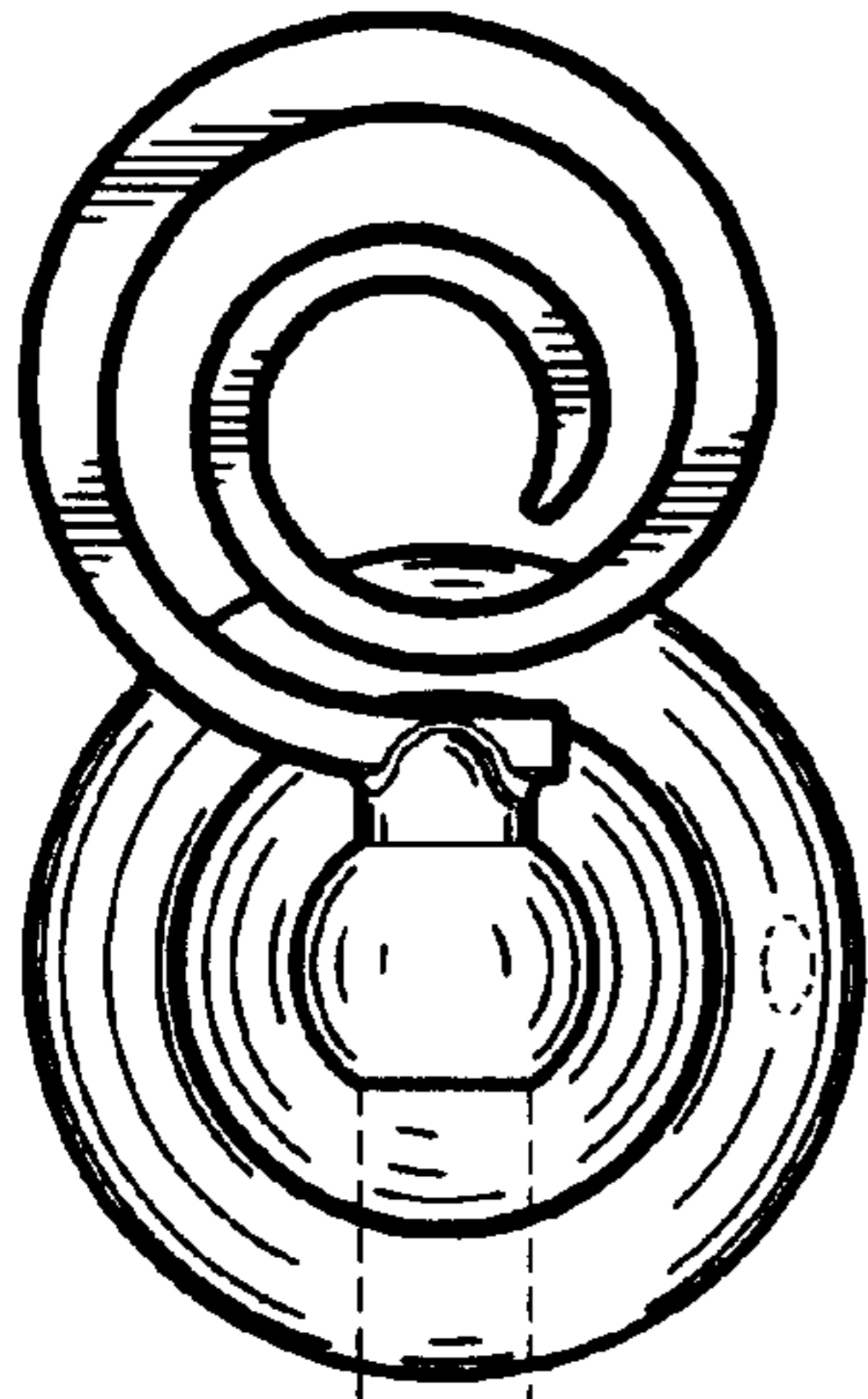


Figure - 3

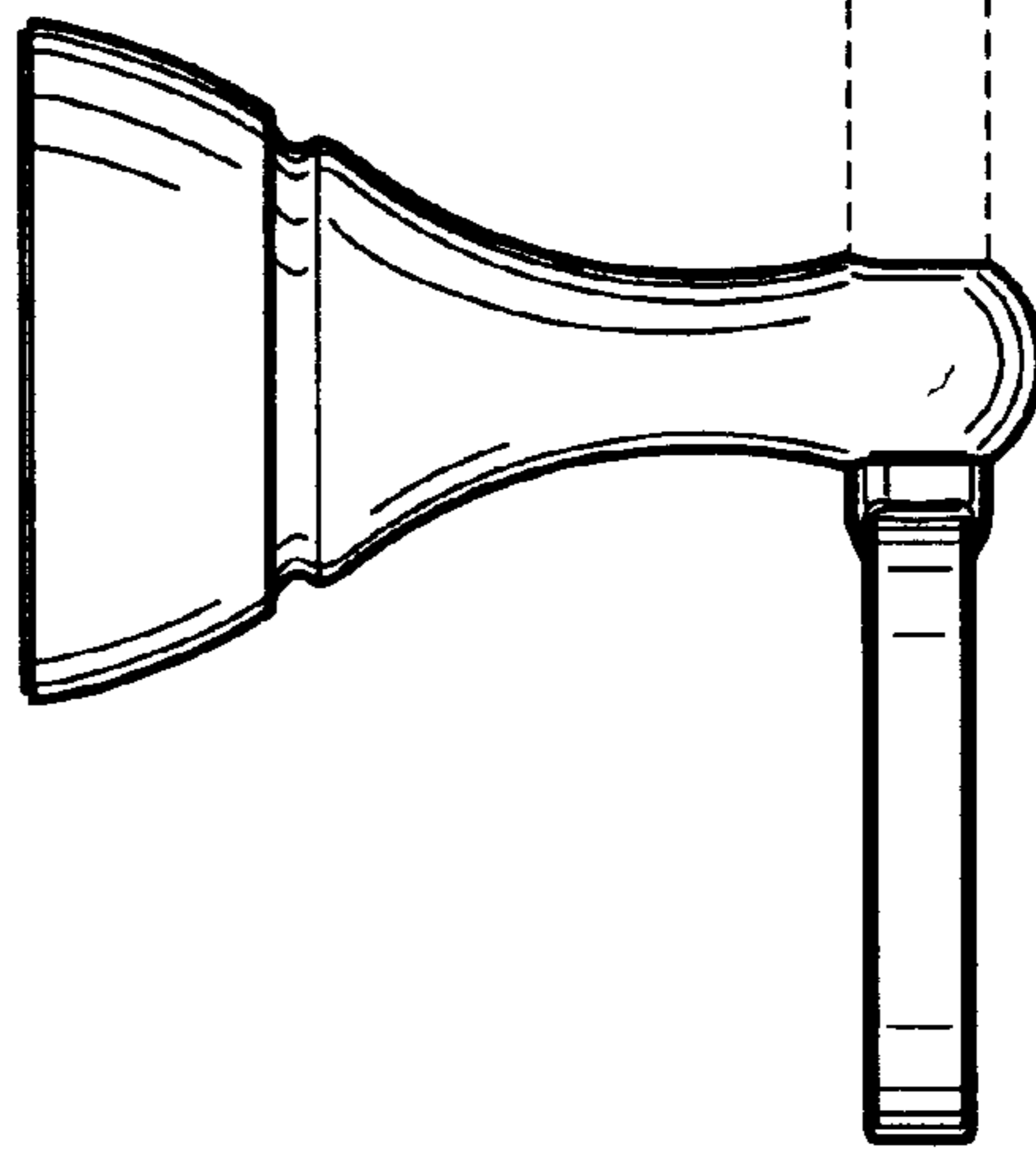
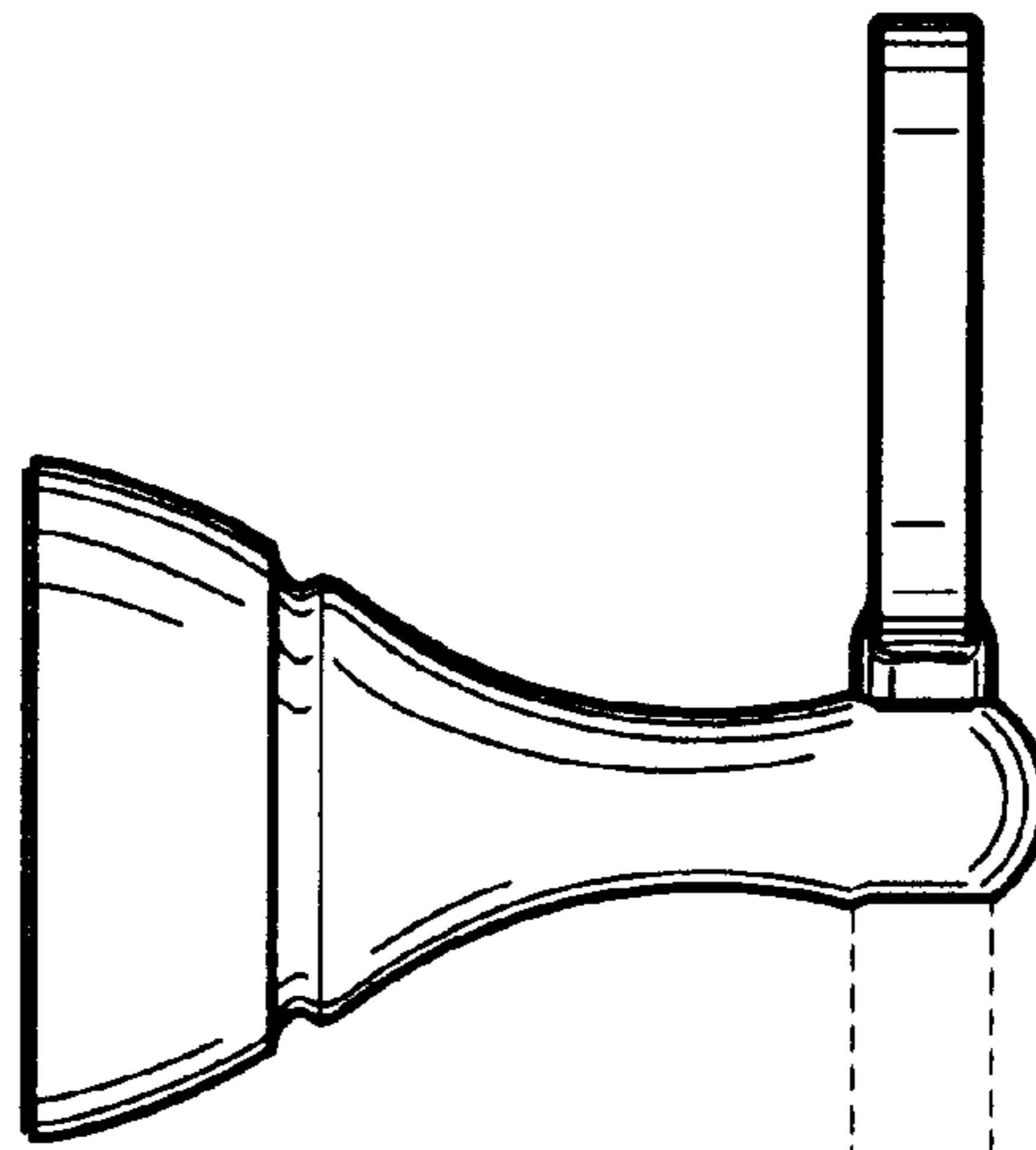
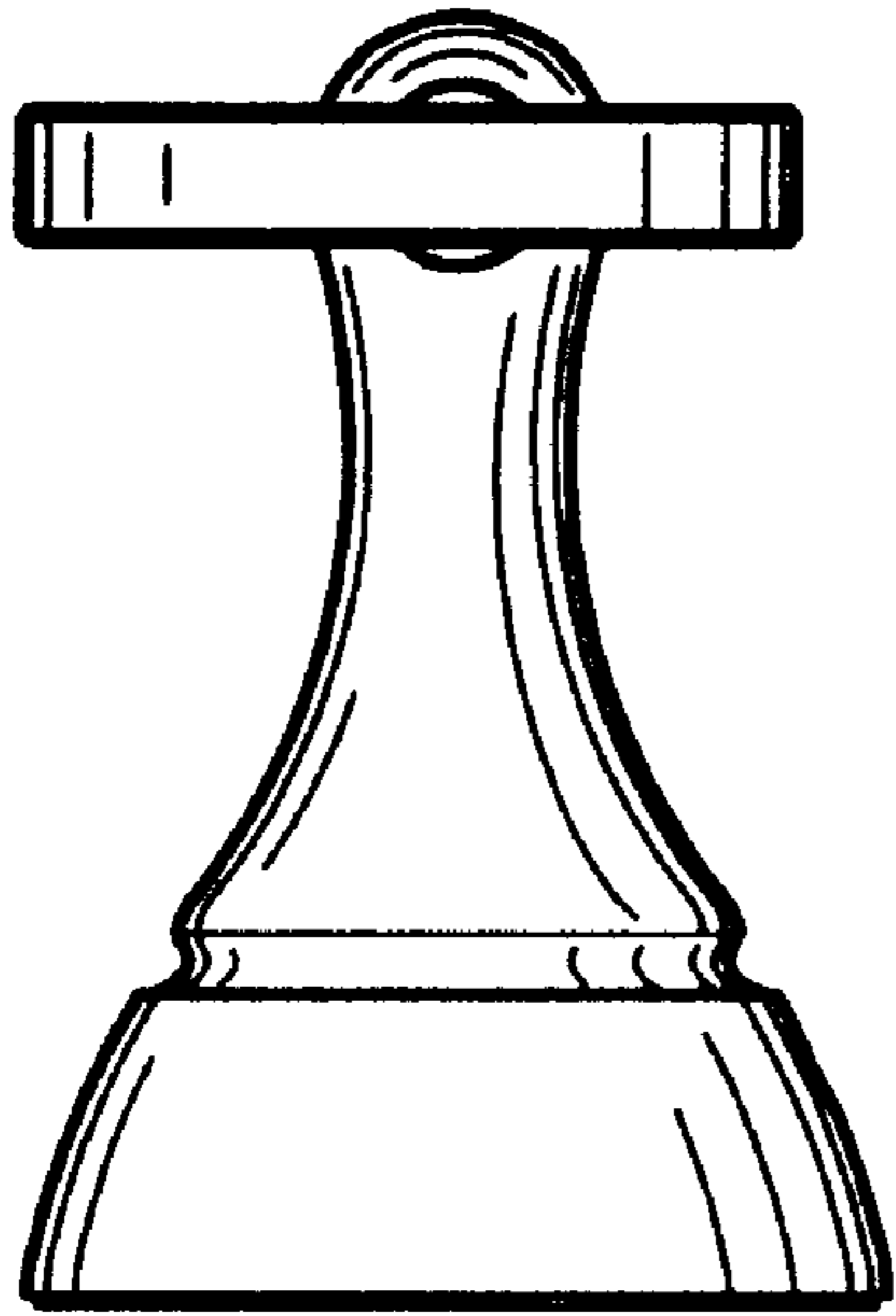
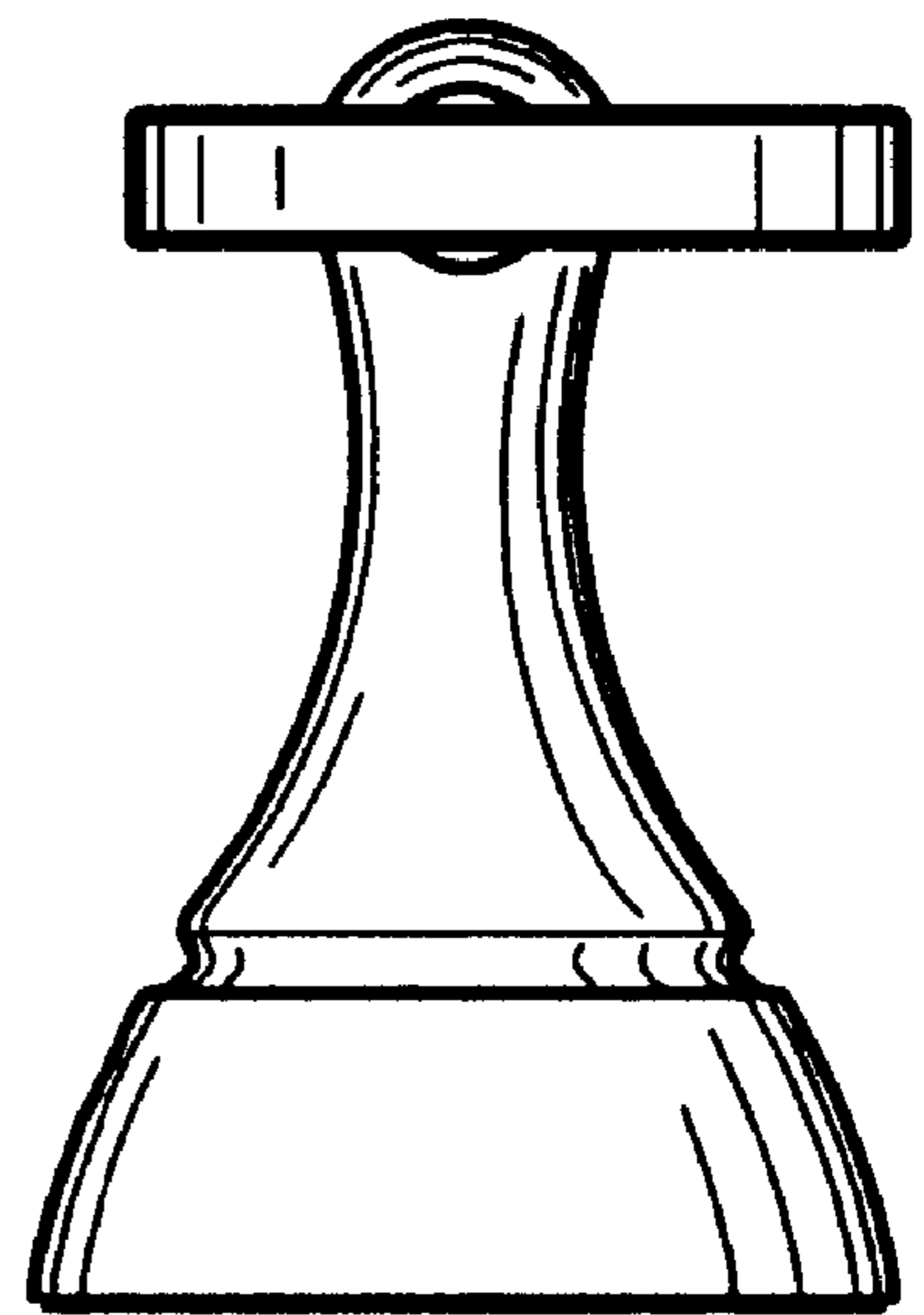


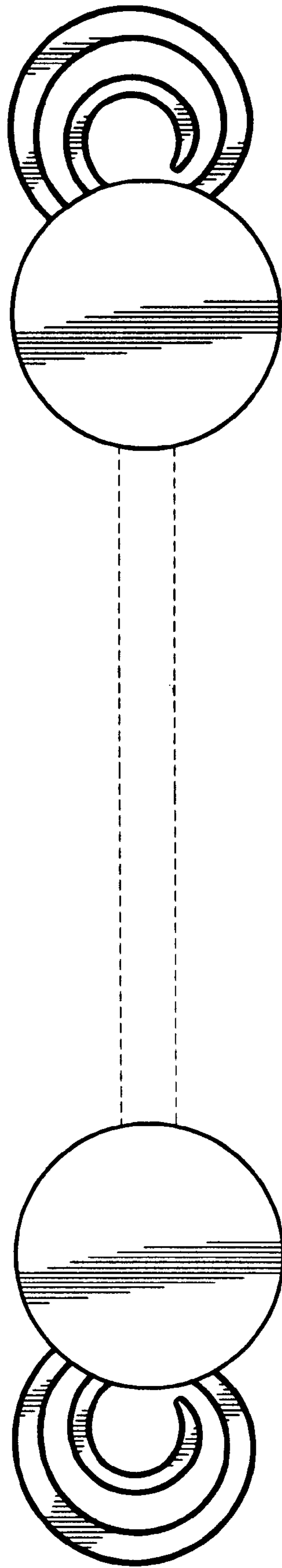
Figure - 4



**Figure - 5**



**Figure - 6**



**Figure - 7**