



US00D456194S

(12) **United States Design Patent**  
**Hoernig**

(10) **Patent No.:** **US D456,194 S**

(45) **Date of Patent:** **\*\* Apr. 30, 2002**

(54) **TUMBLER HOLDER**

D440,800 S \* 4/2001 Milrud et al. .... D6/535

(75) Inventor: **Victor Hoernig**, Lowell, IN (US)

\* cited by examiner

(73) Assignee: **Gusa, Inc.**, Fort Mill, SC (US)

*Primary Examiner*—Brian N. Vinson

(\*\*) Term: **14 Years**

(74) *Attorney, Agent, or Firm*—Edgar A. Zarins; Lloyd D. Doigan

(21) Appl. No.: **29/142,641**

(57) **CLAIM**

(22) Filed: **May 30, 2001**

The ornamental design for a tumbler holder, as shown and described.

(51) **LOC (7) Cl.** ..... **23-02**

**DESCRIPTION**

(52) **U.S. Cl.** ..... **D6/535**

(58) **Field of Search** ..... D6/535, 531; 248/205.3,  
248/205.5, 311.2; D26/9

FIG. 1 is a perspective view of a tumbler holder showing my new design;

FIG. 2 is a front elevational view thereof;

FIG. 3 is a right side view thereof;

FIG. 4 is a left side view thereof;

FIG. 5 is a top plan view thereof;

FIG. 6 is a bottom plan view thereof; and,

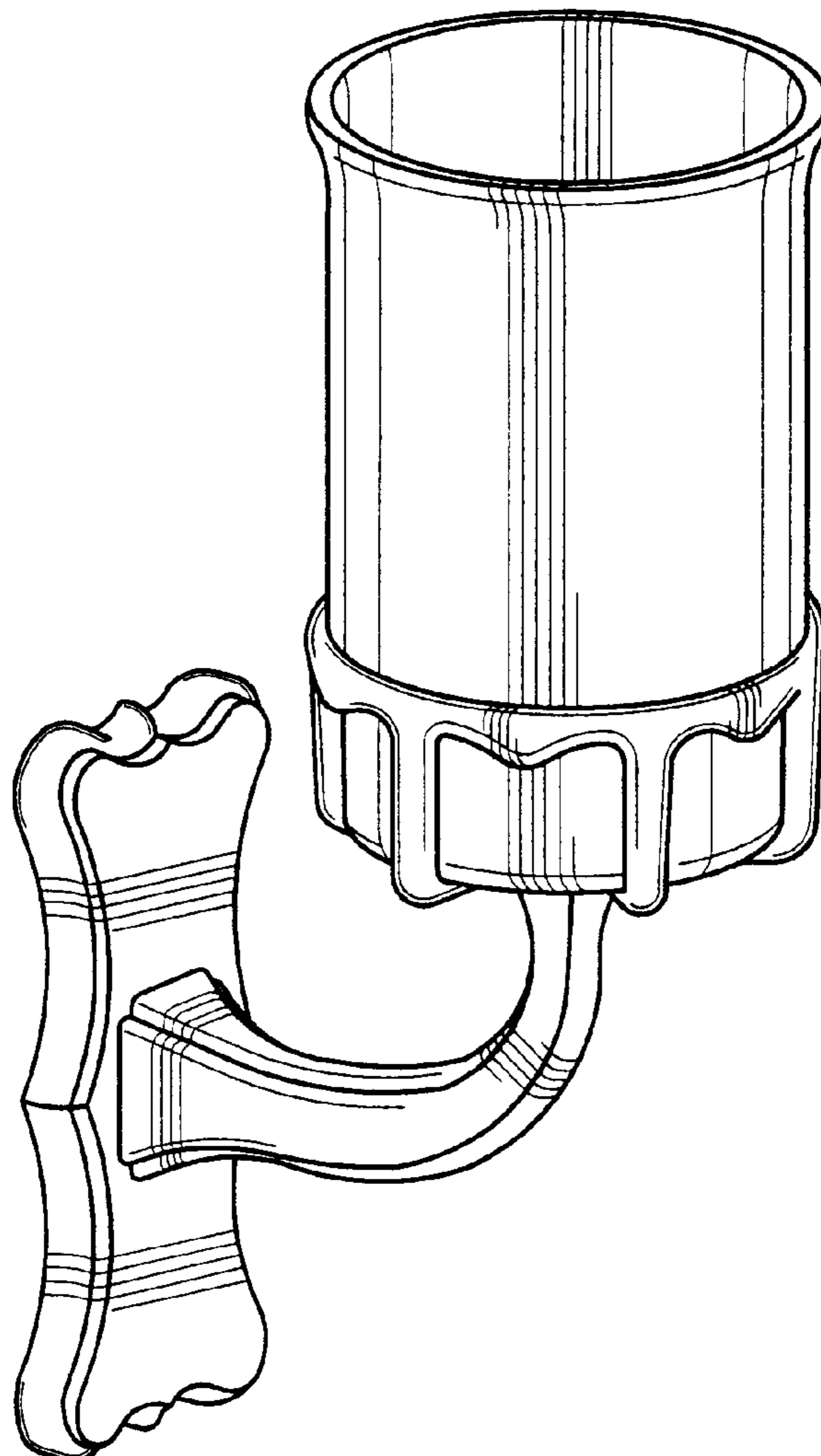
FIG. 7 is a rear elevational view thereof.

(56) **References Cited**

**U.S. PATENT DOCUMENTS**

D63,872 S	*	2/1924	Boye	.....	D6/535
D79,772 S	*	10/1929	Warner et al.	.....	D6/535
D436,478 S	*	1/2001	Mahlmann	.....	D6/535
D437,159 S	*	2/2001	Fiegl et al.	.....	D6/535

**1 Claim, 3 Drawing Sheets**



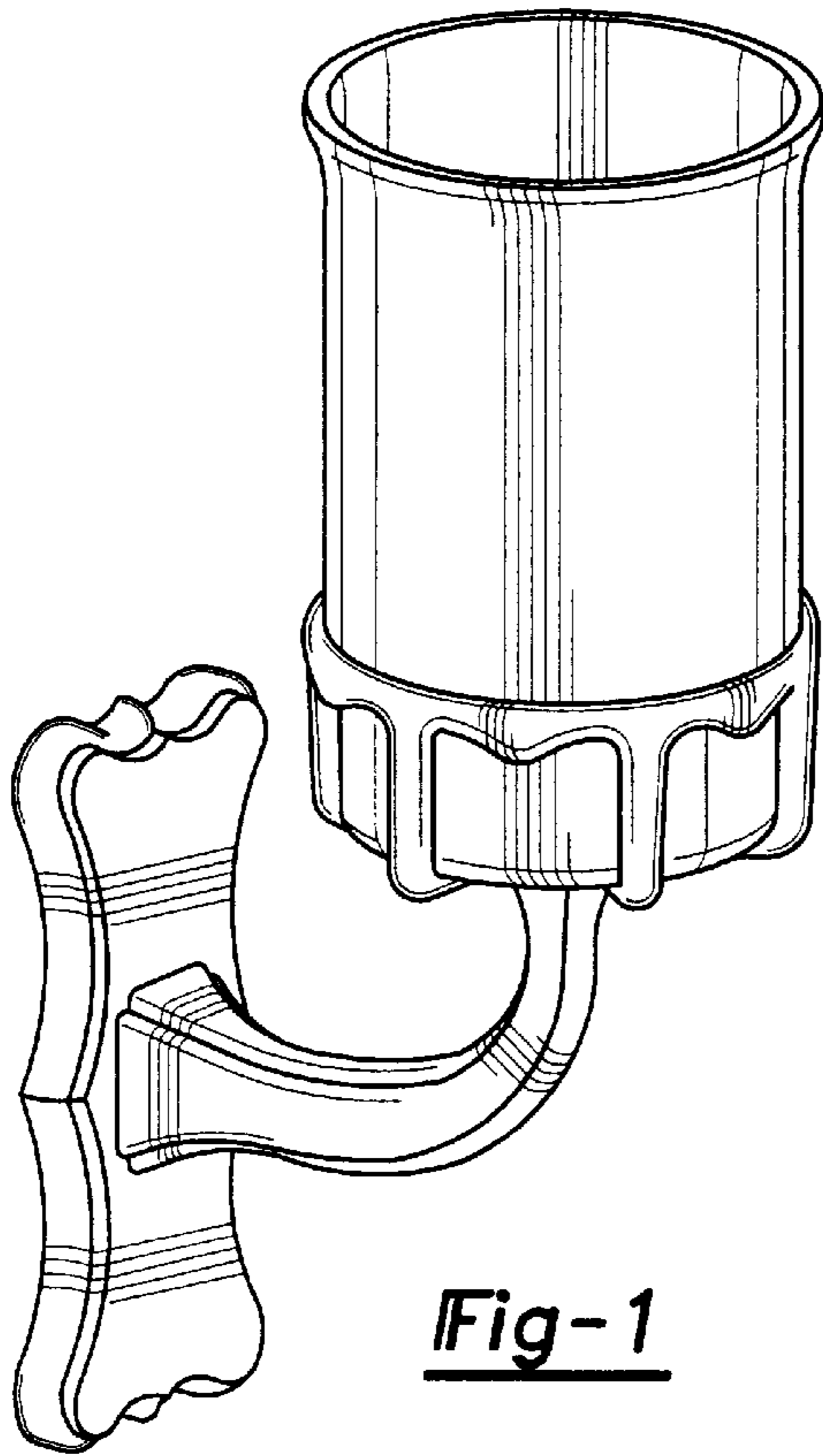


Fig-1

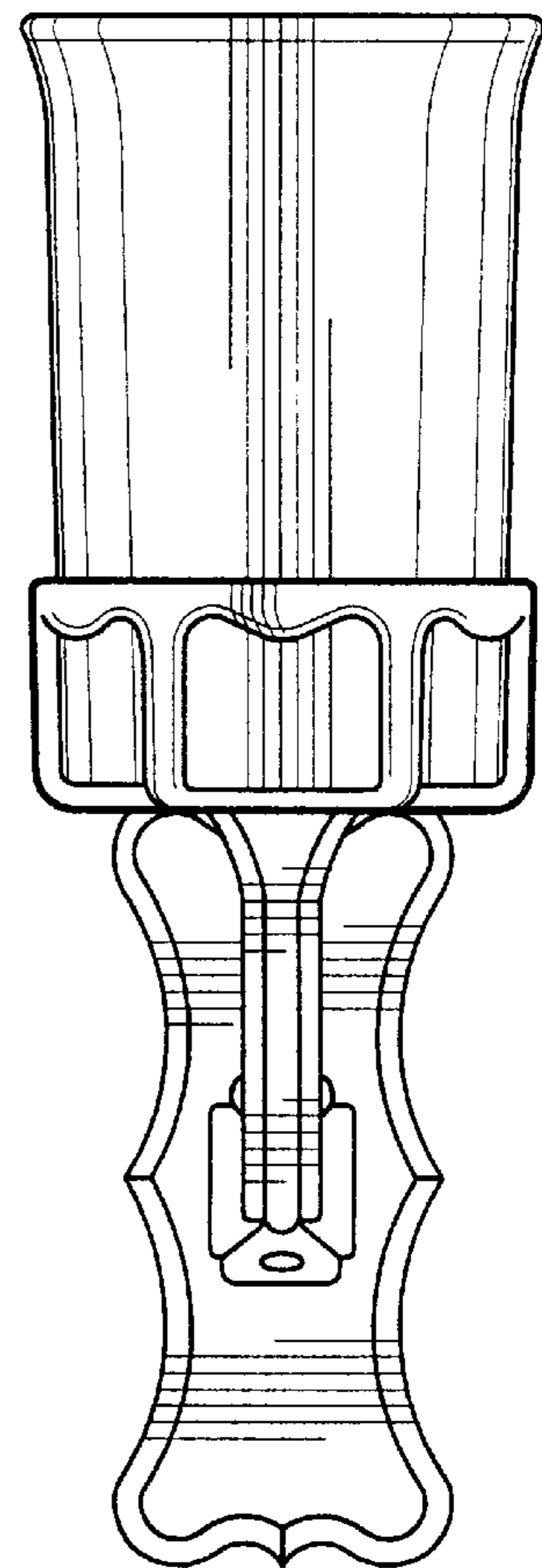


Fig-2

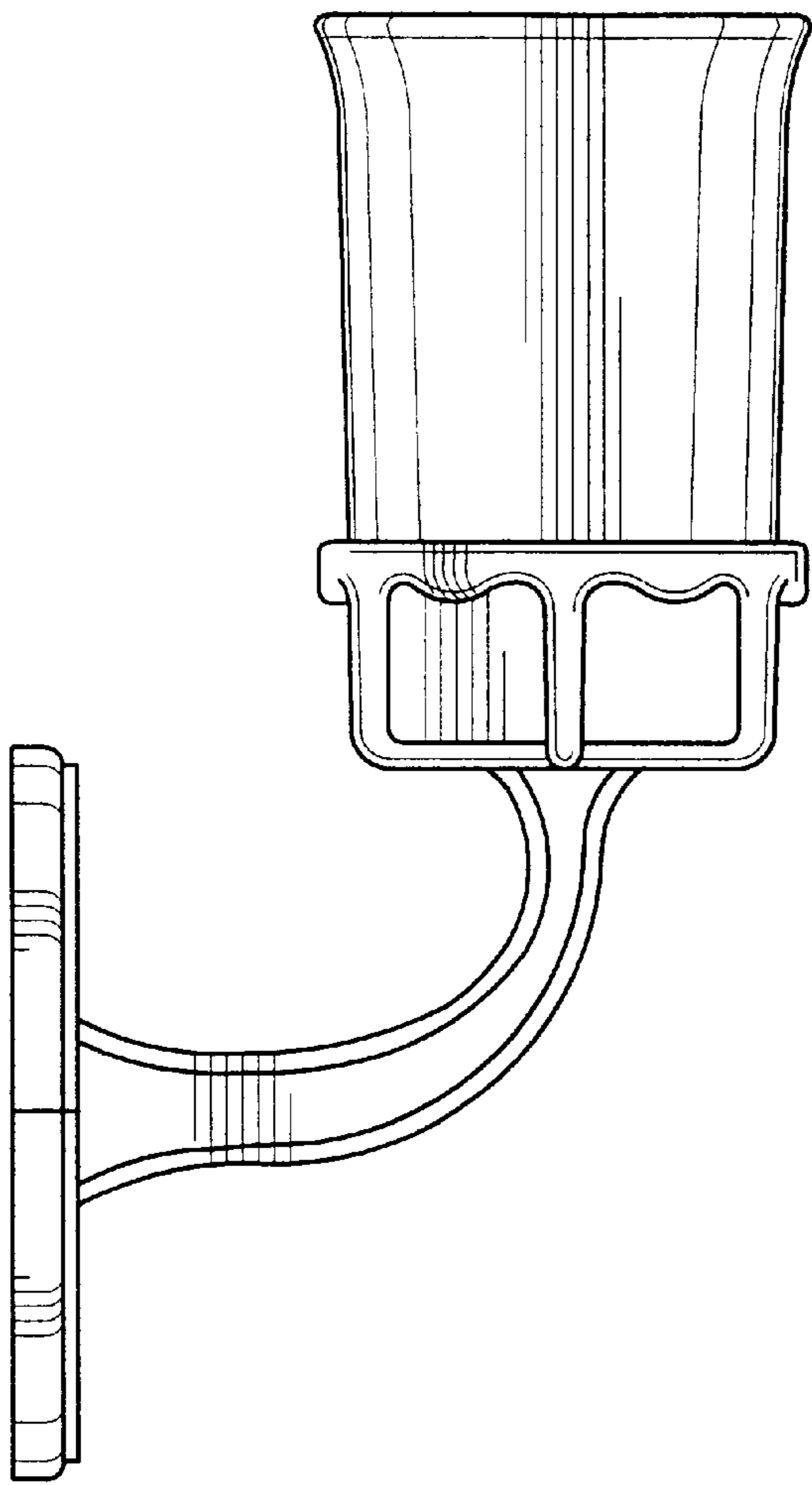


Fig-3

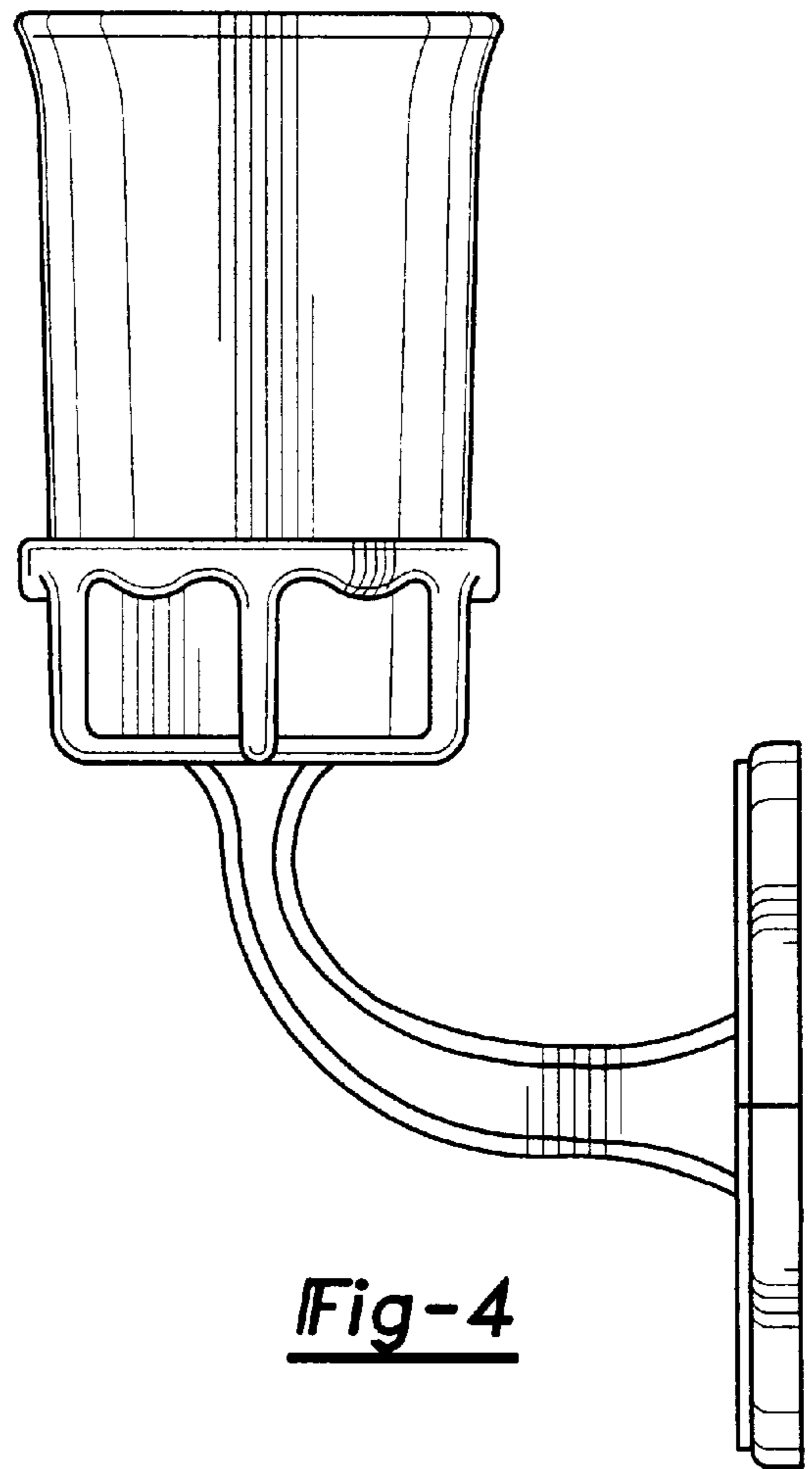


Fig-4

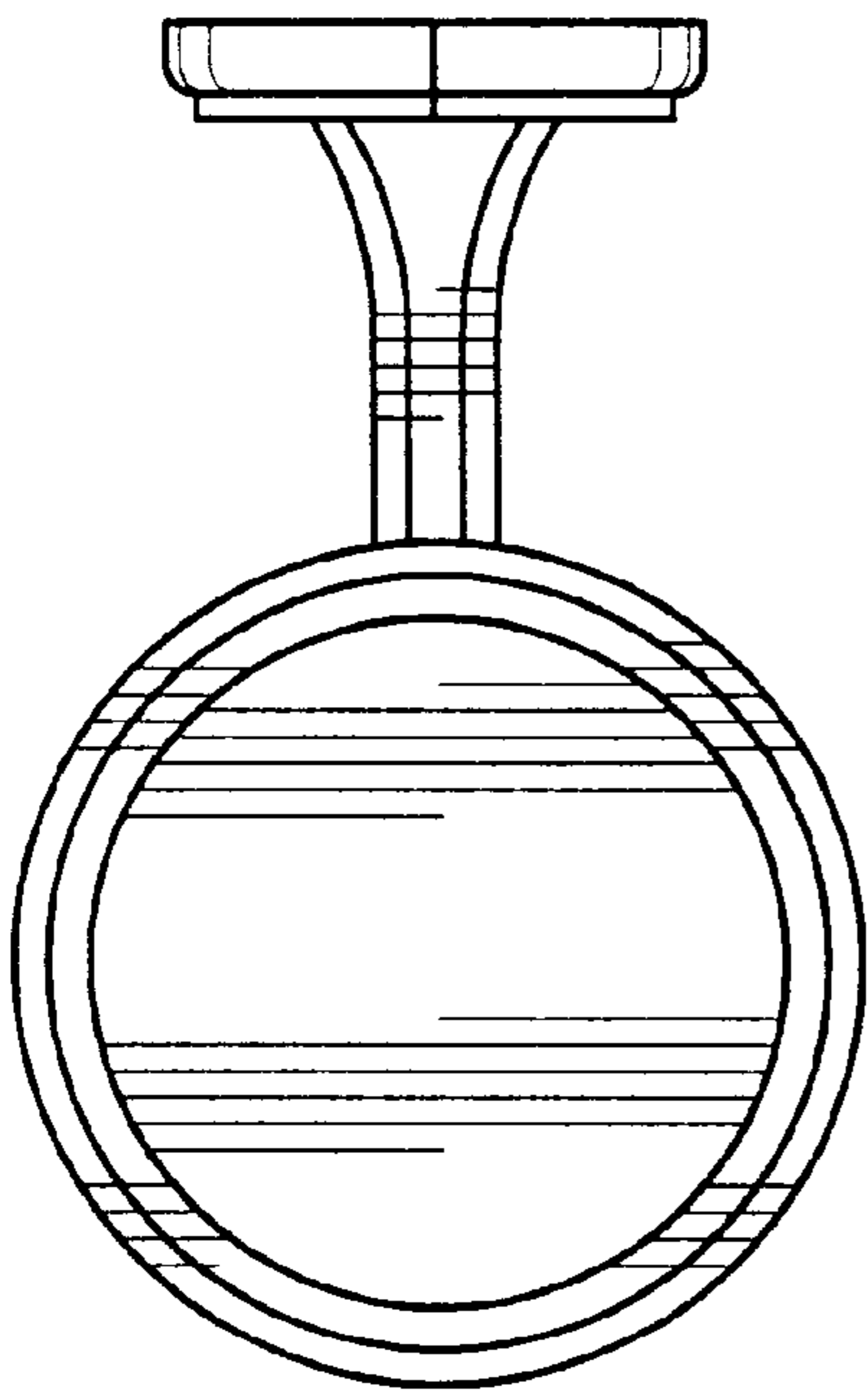


Fig-5

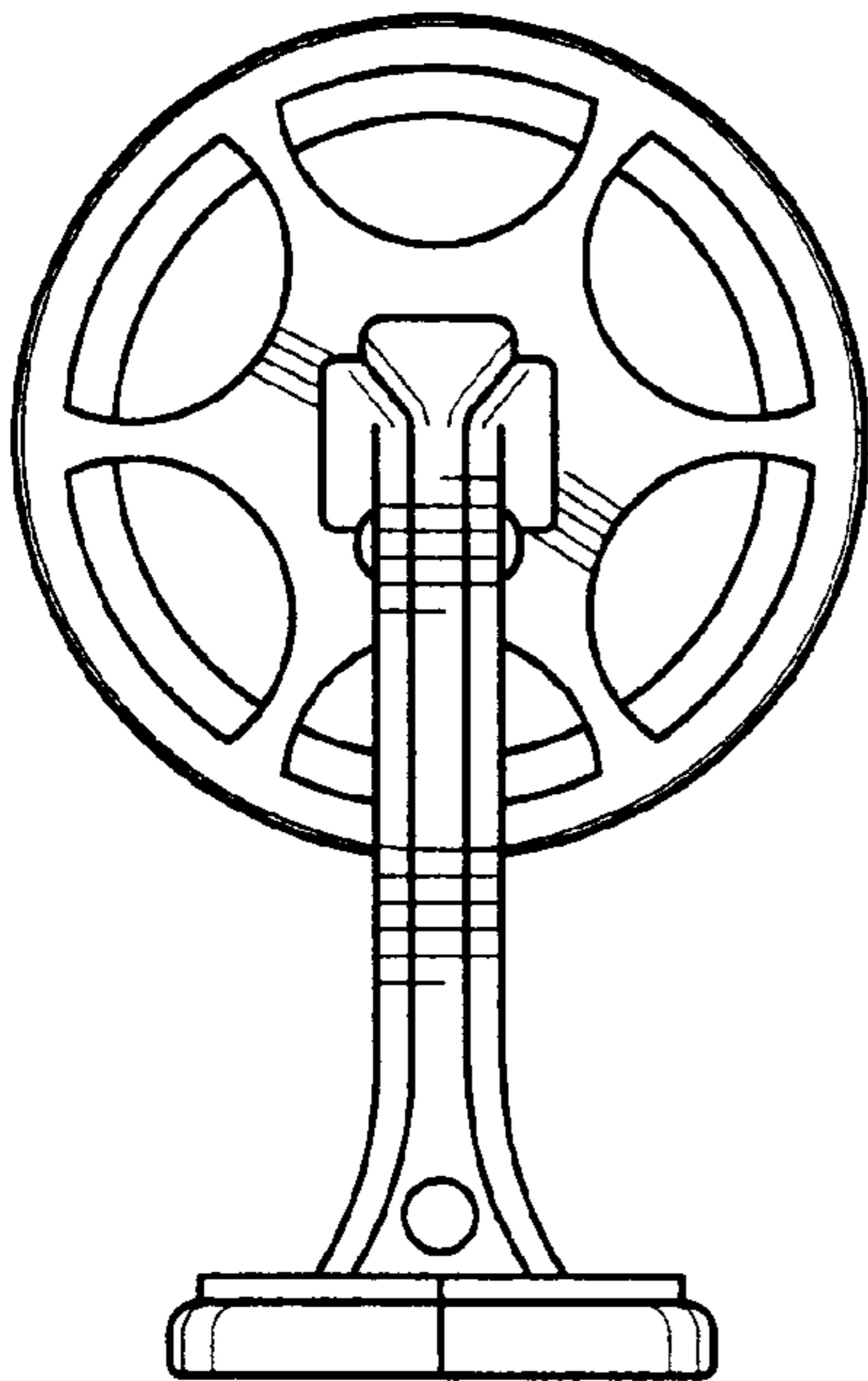


Fig-6

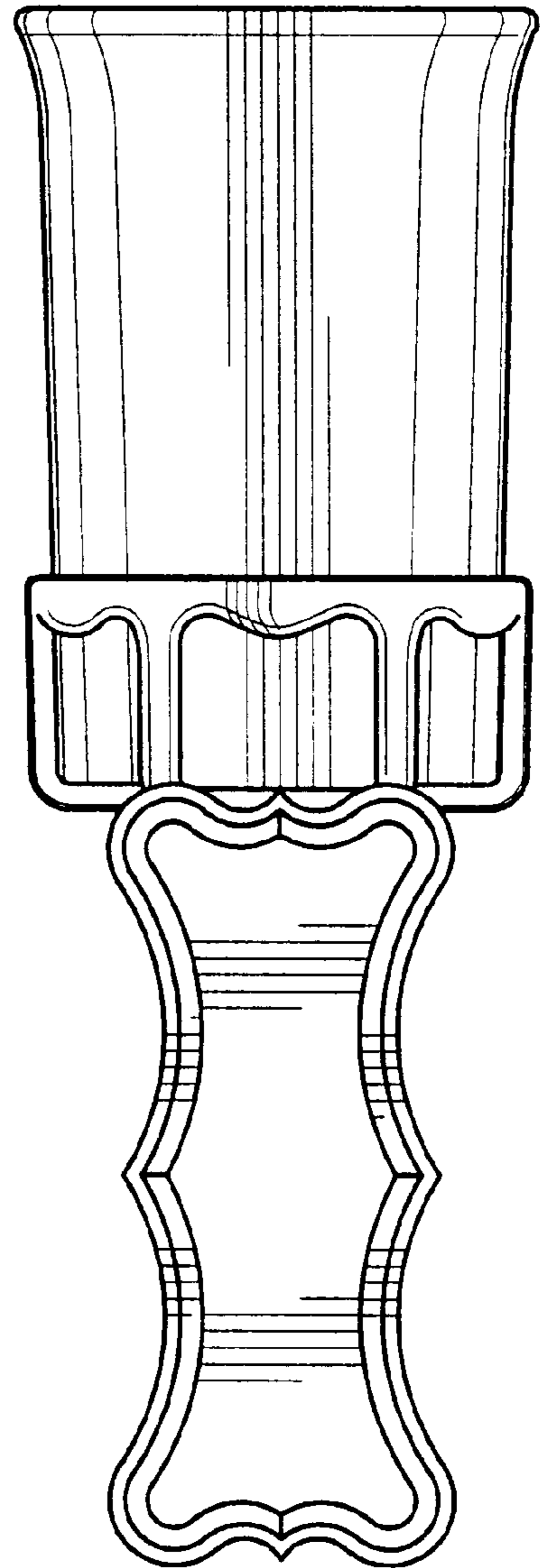


Fig-7