



US00D456191S

(12) **United States Design Patent**
Bonin

(10) **Patent No.:** **US D456,191 S**

(45) **Date of Patent:** **** Apr. 30, 2002**

(54) **BASKET TRAY TO BE USED IN A CLOSET ORGANIZER**

D413,745 S * 9/1999 Bidwell et al. D6/510

* cited by examiner

(76) **Inventor:** **Franco Bonin**, Via E. Cecchin, 16,
36072 Ciampo, Vicenza (IT)

Primary Examiner—Cathron C. Brooks

(**) **Term:** **14 Years**

(57) **CLAIM**

The ornamental design for a basket tray to be used in a closet organizer, as shown and described.

(21) **Appl. No.:** **29/135,751**

(22) **Filed:** **Jan. 18, 2001**

DESCRIPTION

(51) **LOC (7) Cl.** **06-06**

(52) **U.S. Cl.** **D6/510**

(58) **Field of Search** D6/432, 436, 475,
D6/476, 509, 510, 511; D9/341; 312/330.1,
348.3, 348.4

FIG. 1 is a perspective view of the basket tray to be used in a closet organizer according to the present invention; FIG. 2 is a top perspective plan view thereof; FIG. 3 is a bottom perspective plan view thereof; FIG. 4 is a front perspective elevational view thereof; FIG. 5 is a rear perspective elevational view thereof; FIG. 6 is a left side perspective elevational view thereof; and, FIG. 7 is a right side perspective elevational view thereof.

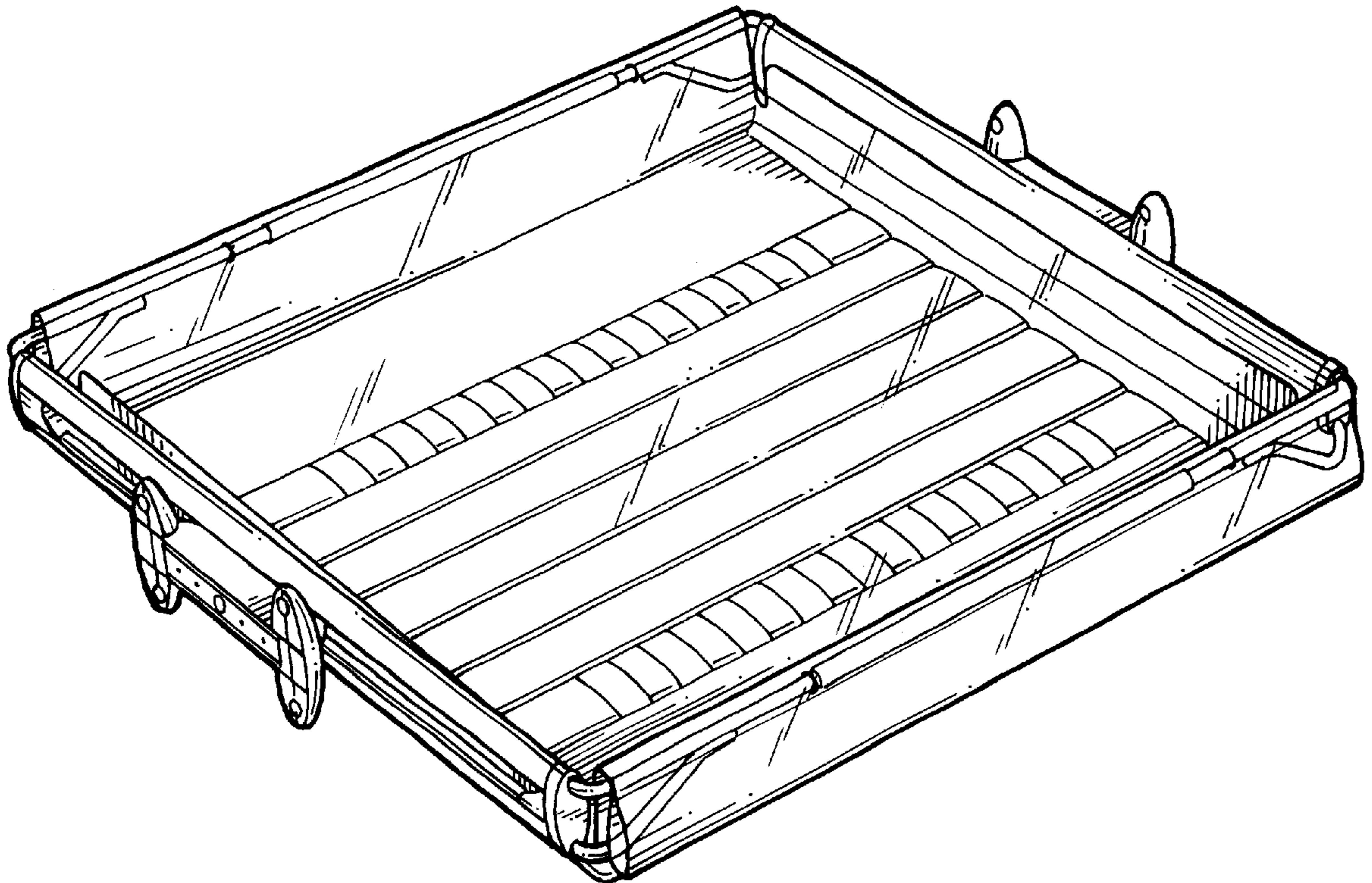
(56) **References Cited**

U.S. PATENT DOCUMENTS

3,675,815 A * 7/1972 Rehrig 206/507

D413,217 S * 8/1999 Bidwell et al. D6/510

1 Claim, 5 Drawing Sheets



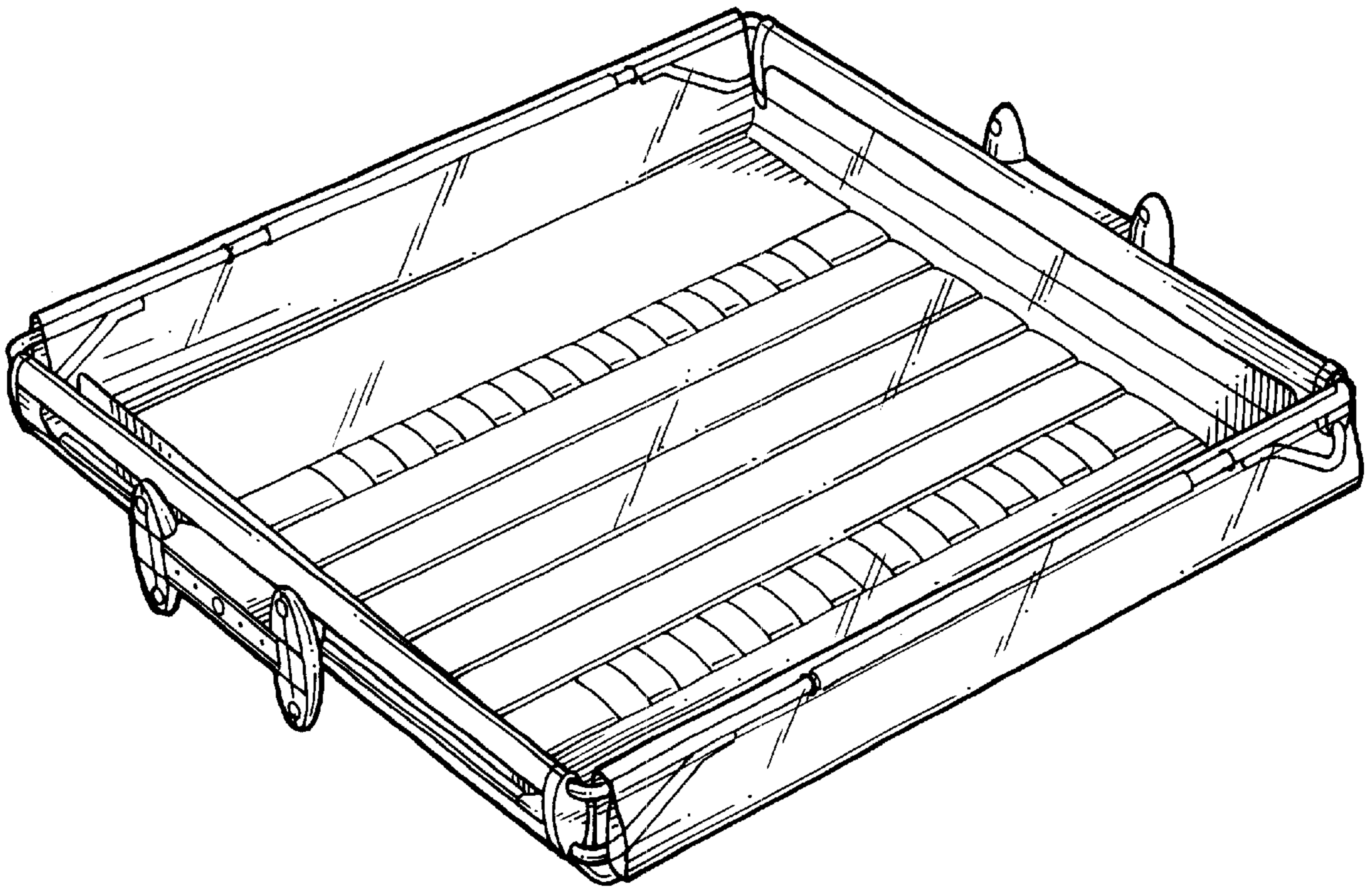


FIG. 1

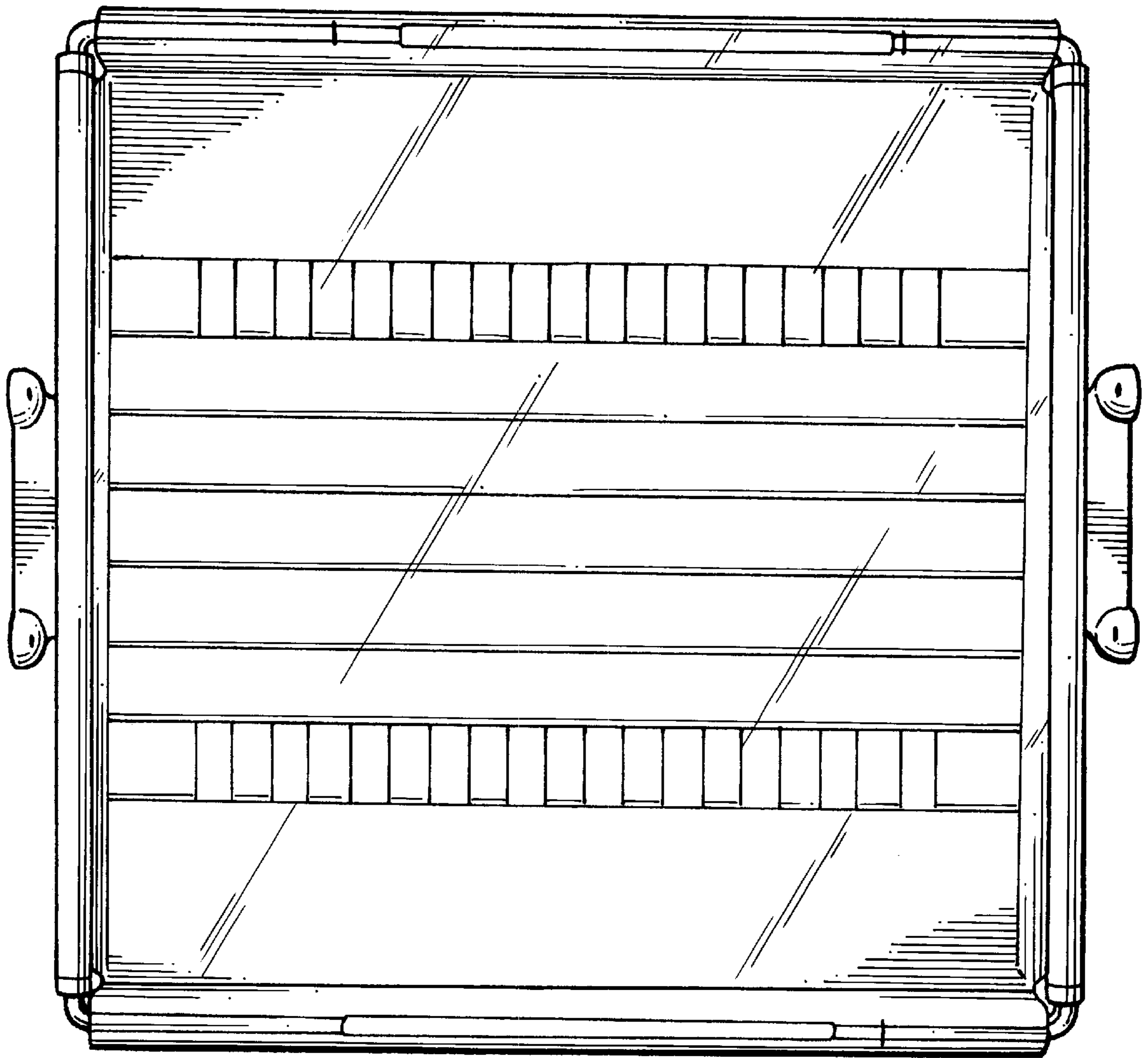


FIG. 2

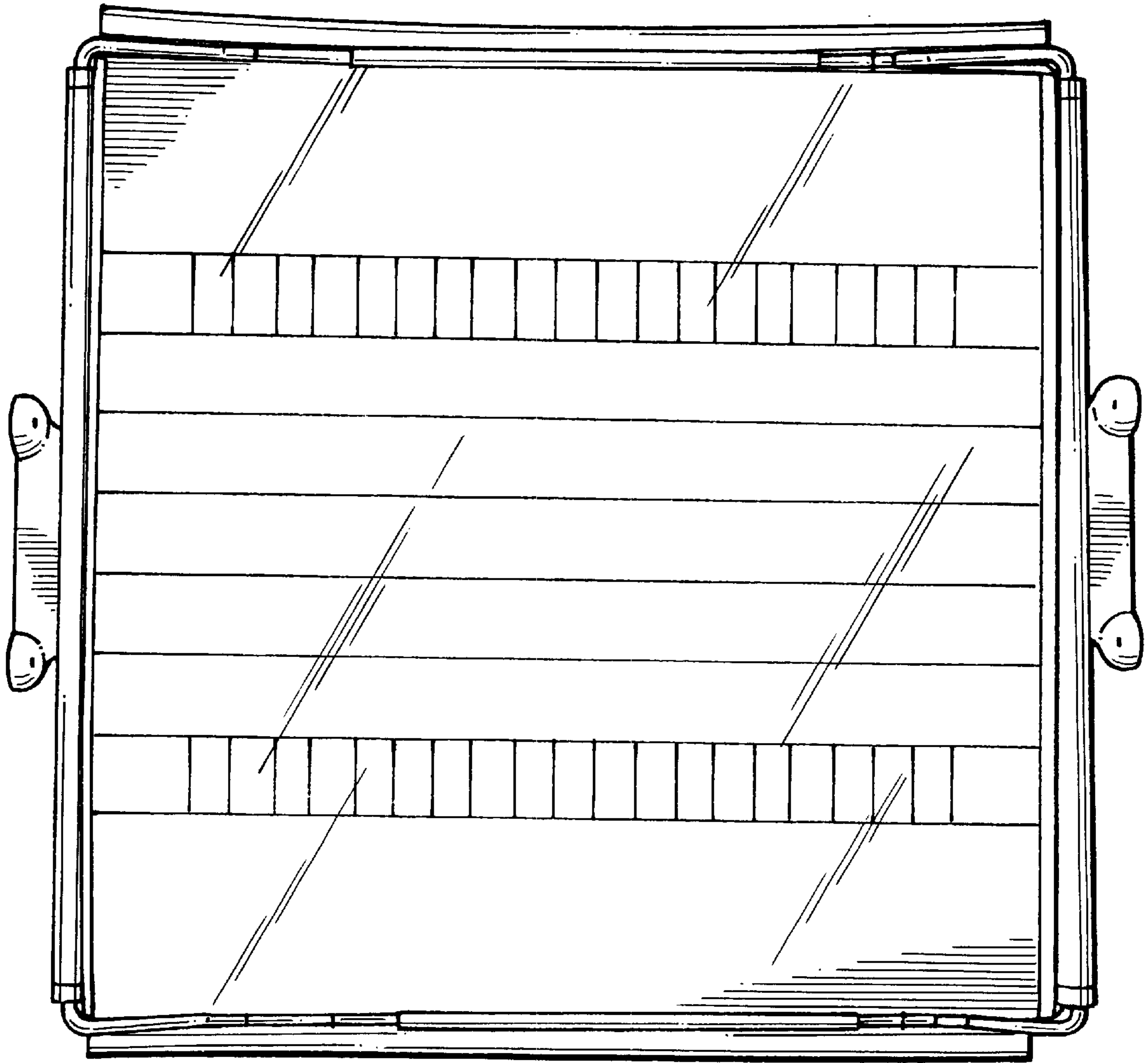


FIG. 3

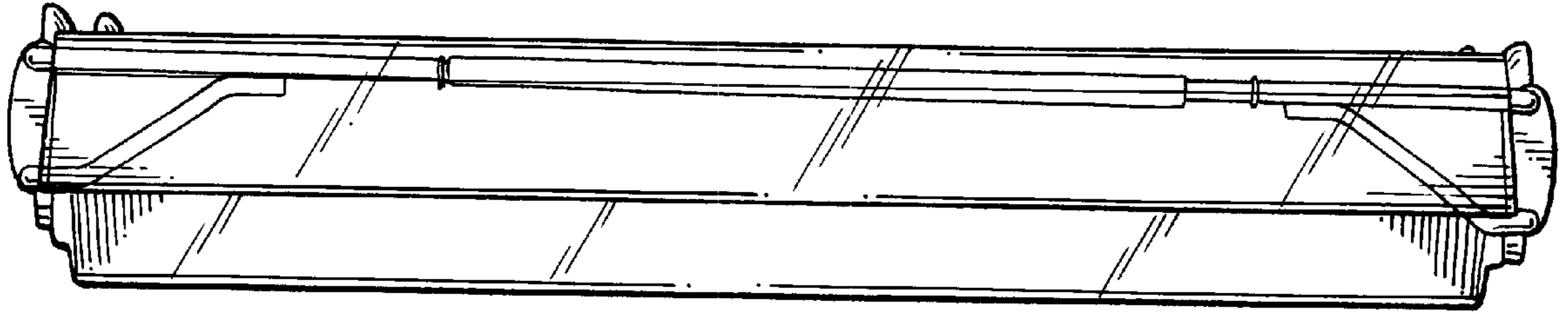


FIG. 4

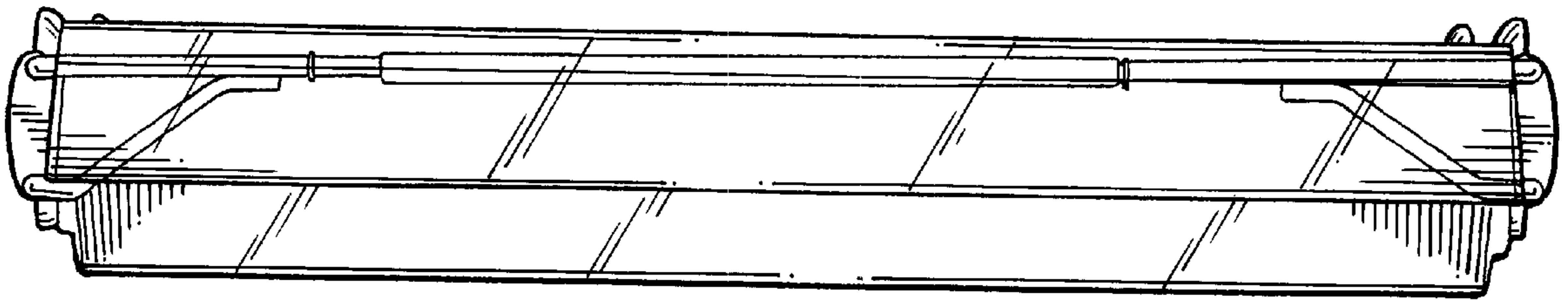


FIG. 5

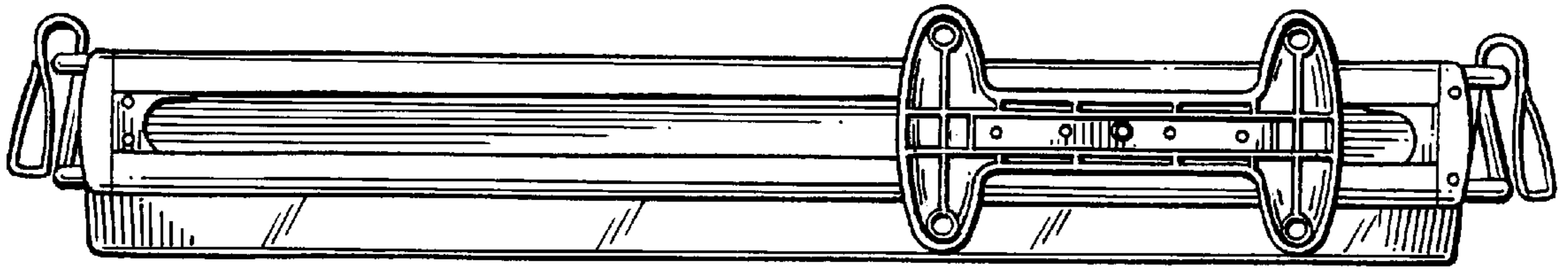


FIG. 6

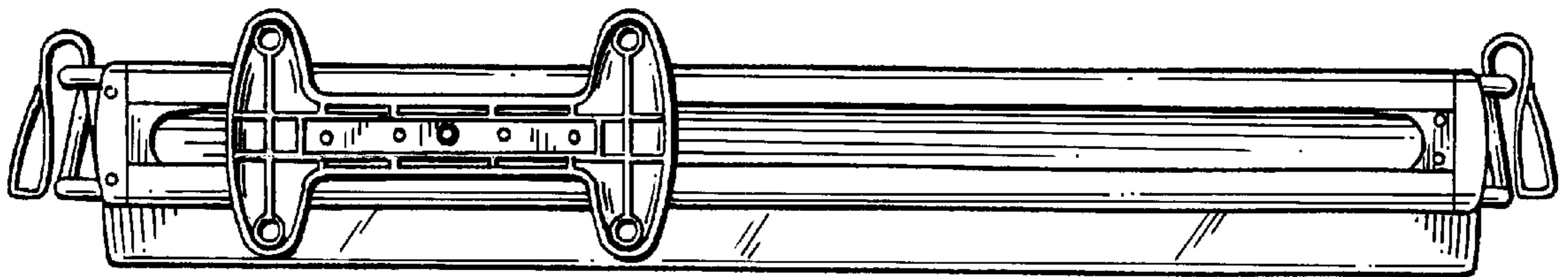


FIG. 7