



US00D456189S

(12) **United States Design Patent**  
**Flannery et al.**

(10) **Patent No.:**

**US D456,189 S**

(45) **Date of Patent:**

**\*\* Apr. 30, 2002**

(54) **OPEN TOP SWING**

(75) Inventors: **Mark A. Flannery**, Shorewood, MN  
(US); **Timothy L. Edwards**, Wyoming,  
MI (US)

(73) Assignee: **Regalo International, LLC**,  
Minneapolis, MN (US)

(\*\*) Term: **14 Years**

(21) Appl. No.: **29/142,559**

(22) Filed: **May 29, 2001**

**Related U.S. Application Data**

(63) Continuation-in-part of application No. 29/131,832, filed on  
Oct. 28, 2000.

(51) **LOC (7) Cl.** ..... **06-01**

(52) **U.S. Cl.** ..... **D6/500; D6/347**

(58) **Field of Search** ..... D6/333, 334, 335,  
D6/344, 347, 499, 500; D21/823, 825;  
297/273, 281, 274; 472/118, 119

(56) **References Cited**

**U.S. PATENT DOCUMENTS**

4,822,033 A 4/1989 Kohus et al.

D368,816 S	*	4/1996	Mitchell et al.	.....	D6/500
5,525,113 A		6/1996	Mitchell et al.		
5,803,817 A		9/1998	Stern		
5,846,136 A		12/1998	Wu		
D412,067 S	*	7/1999	Wu	.....	D6/344
6,022,277 A		2/2000	Jankowski		
6,027,409 A		2/2000	Favorito et al.		
6,059,667 A		5/2000	Pinch		

\* cited by examiner

*Primary Examiner*—Doris V. Coles

*Assistant Examiner*—Mimosa De

(57) **CLAIM**

The ornamental design for open top swing, as shown.

**DESCRIPTION**

FIG. 1 is a perspective view of the open top swing of the present invention.

FIG. 2 is a right side view of the open top swing of FIG. 1.

FIG. 3 is a left side view of the open top swing of FIG. 1.

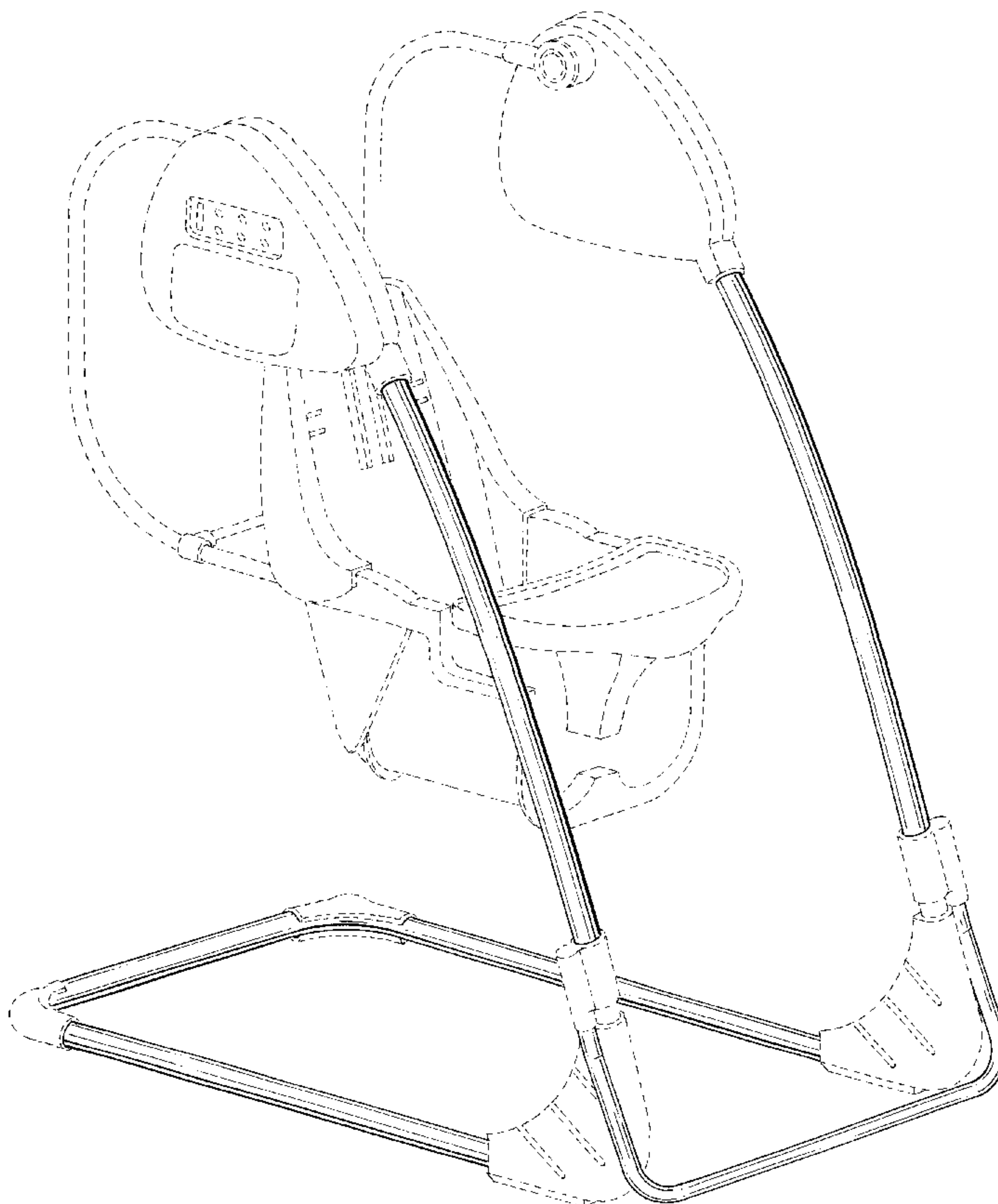
FIG. 4 is a front view of the open top swing of FIG. 1.

FIG. 5 is a rear view of the open top swing of FIG. 1.

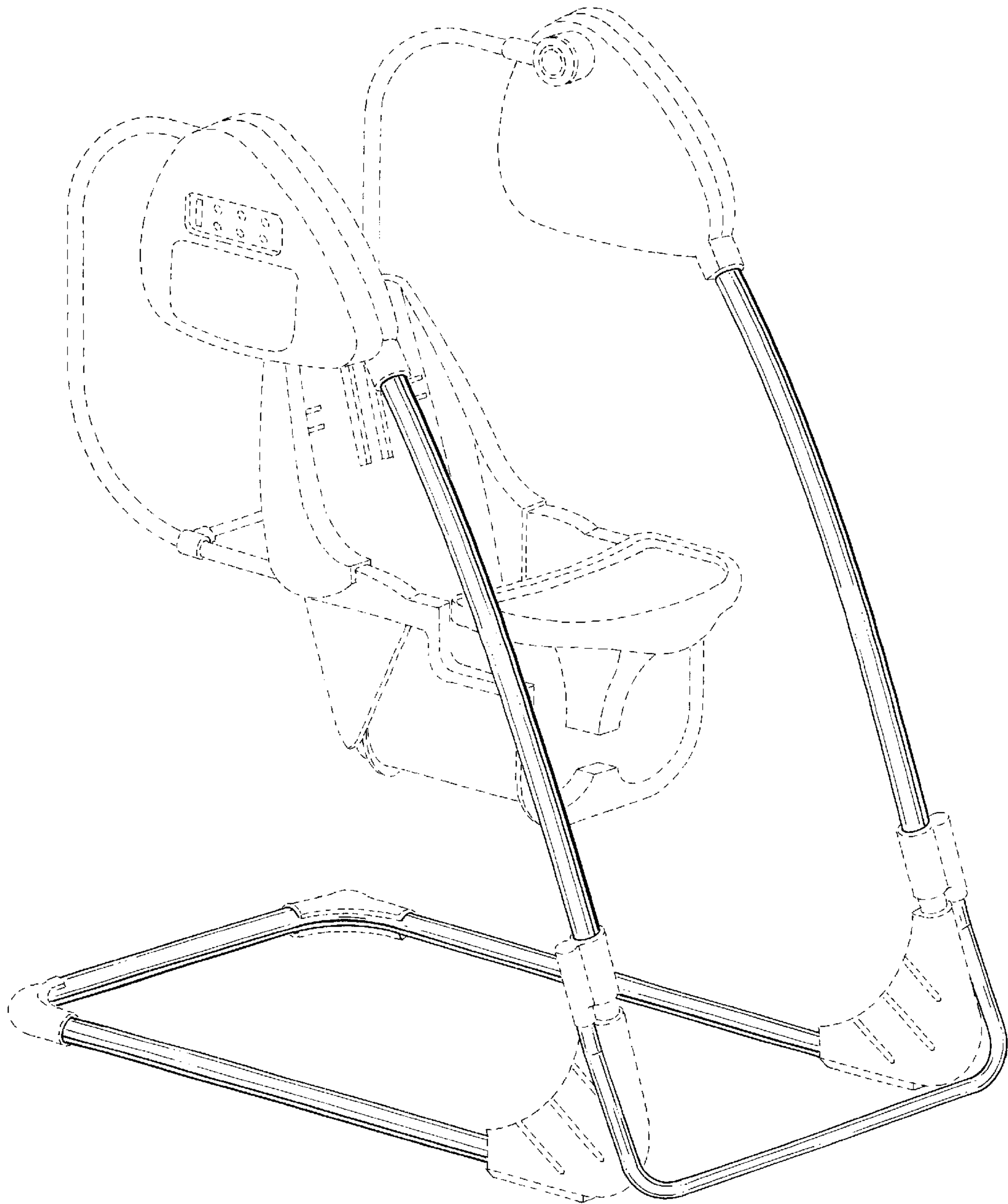
FIG. 6 is a top view of the open top swing of FIG. 1; and,

FIG. 7 is a bottom view of the open top swing of FIG. 1.

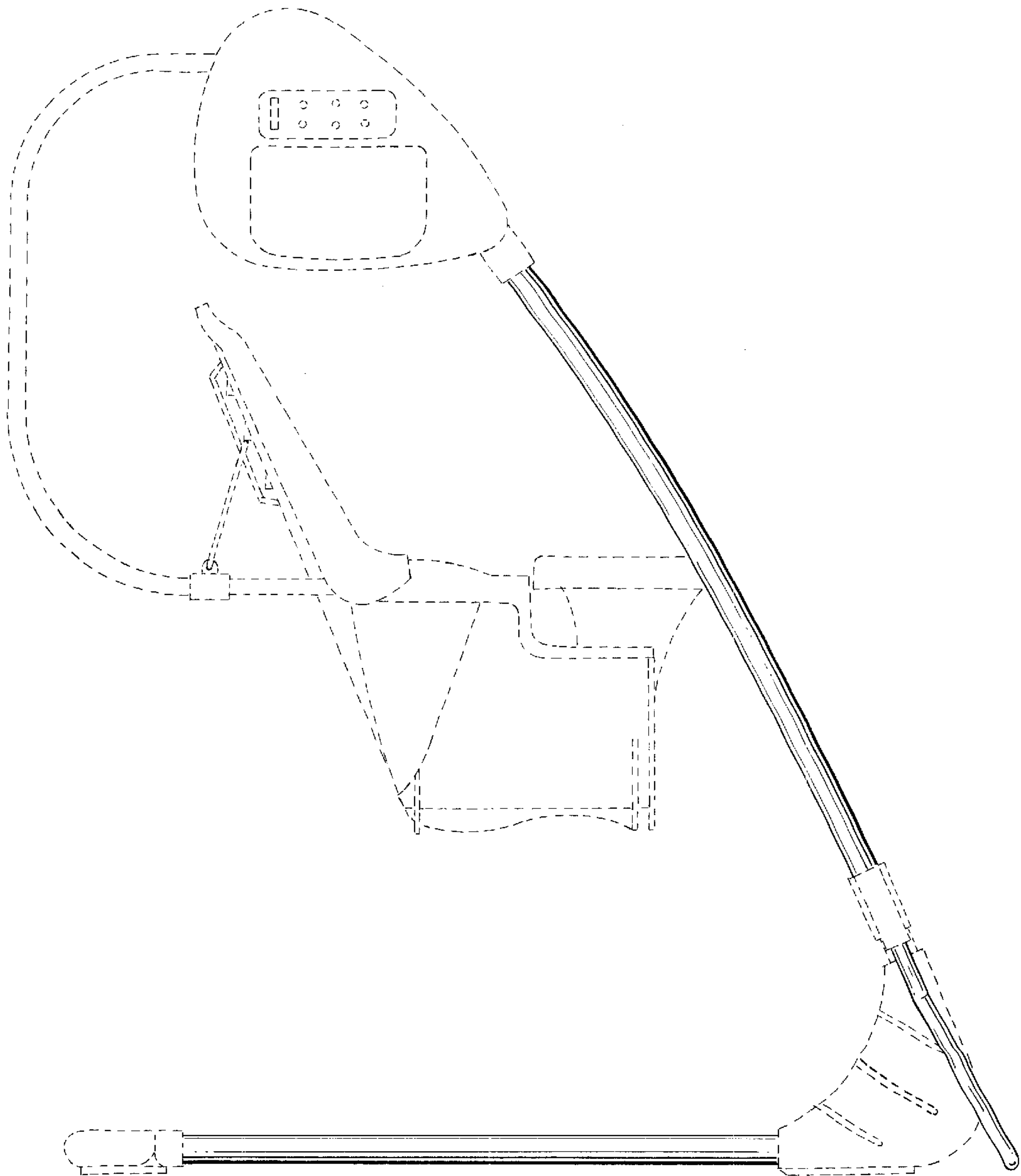
**1 Claim, 7 Drawing Sheets**



*Fig.-1*



*Fig.-2*



*Fig.-3*

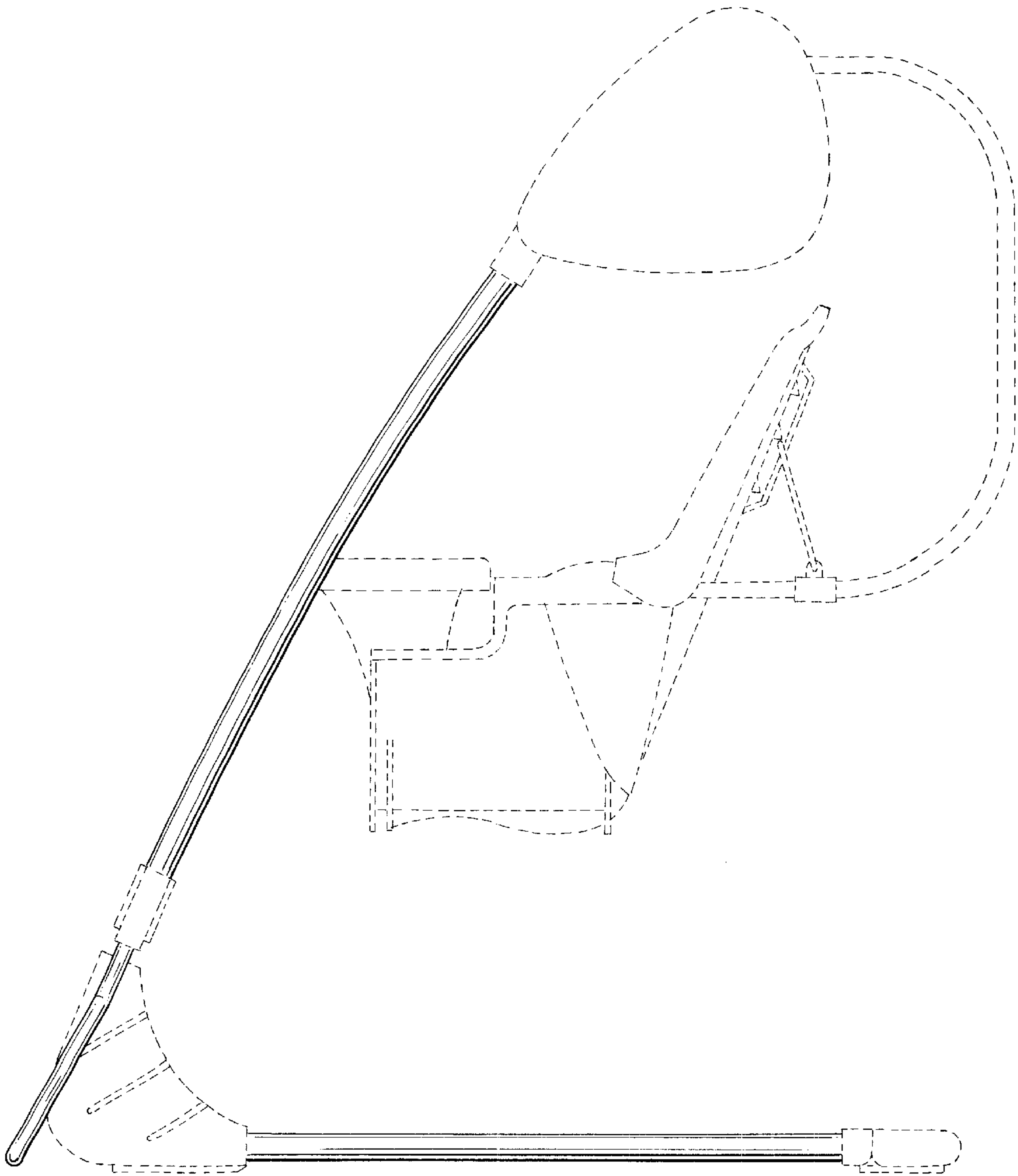
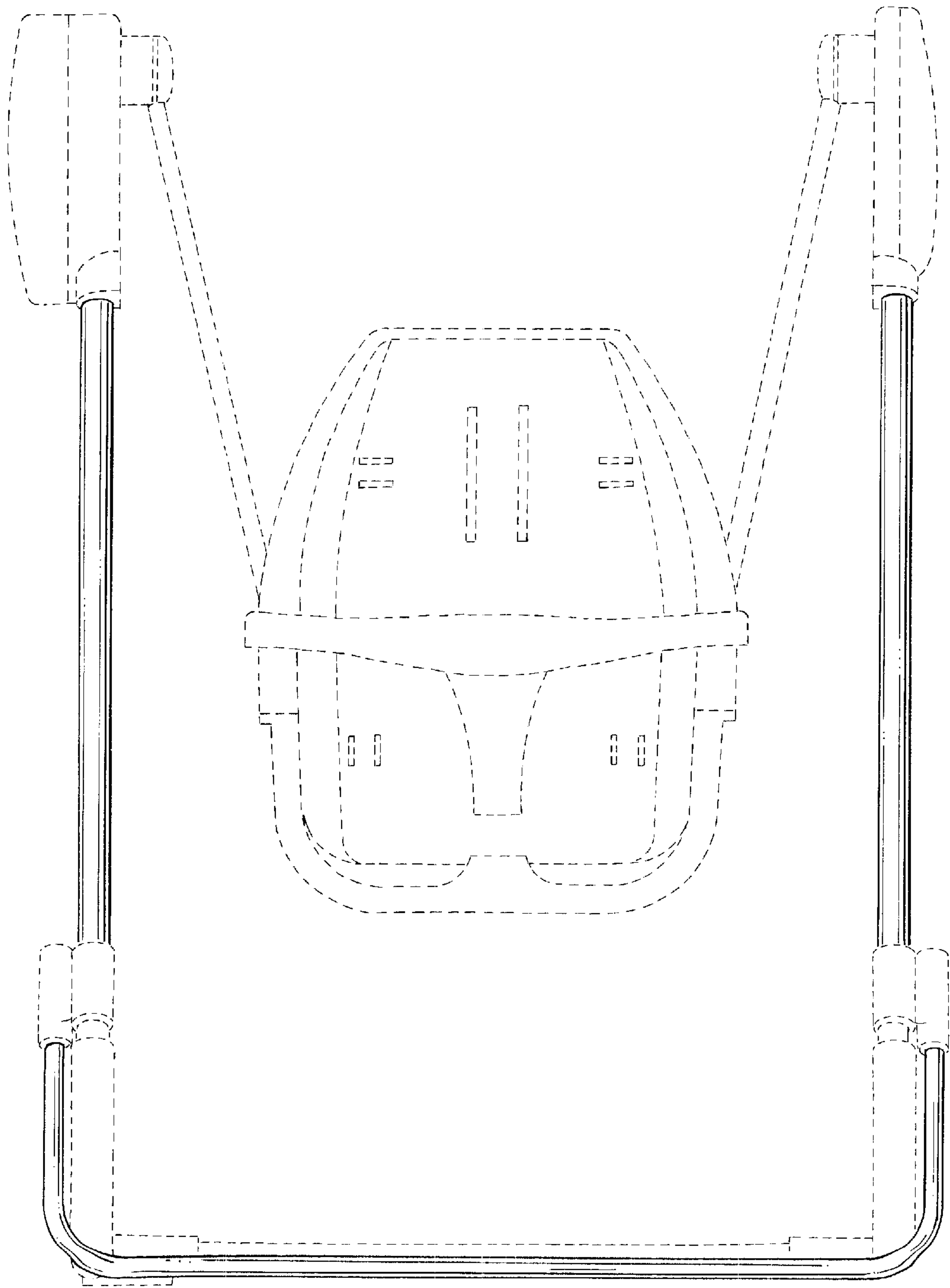


Fig.-4



*Fig.-5*

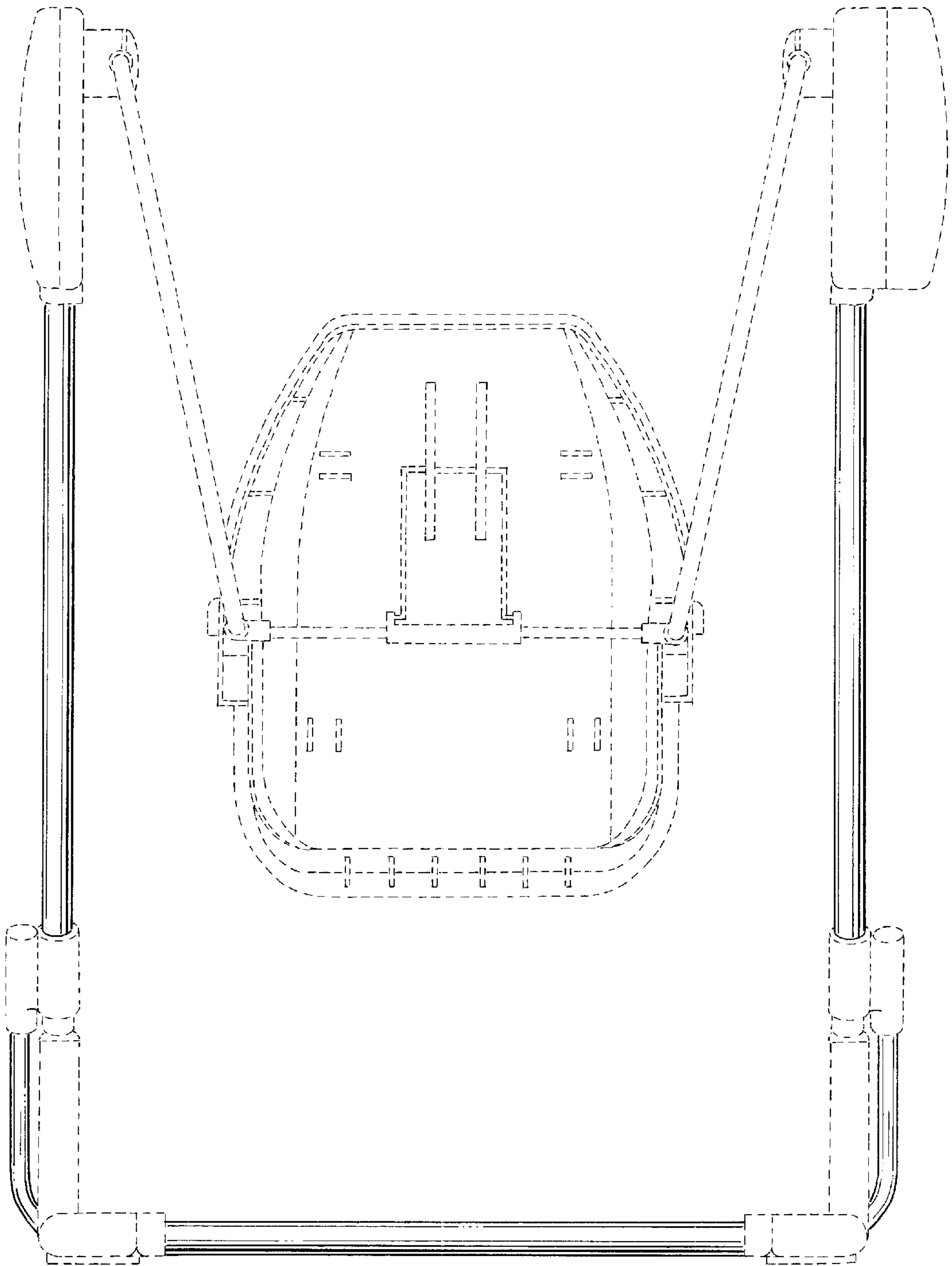
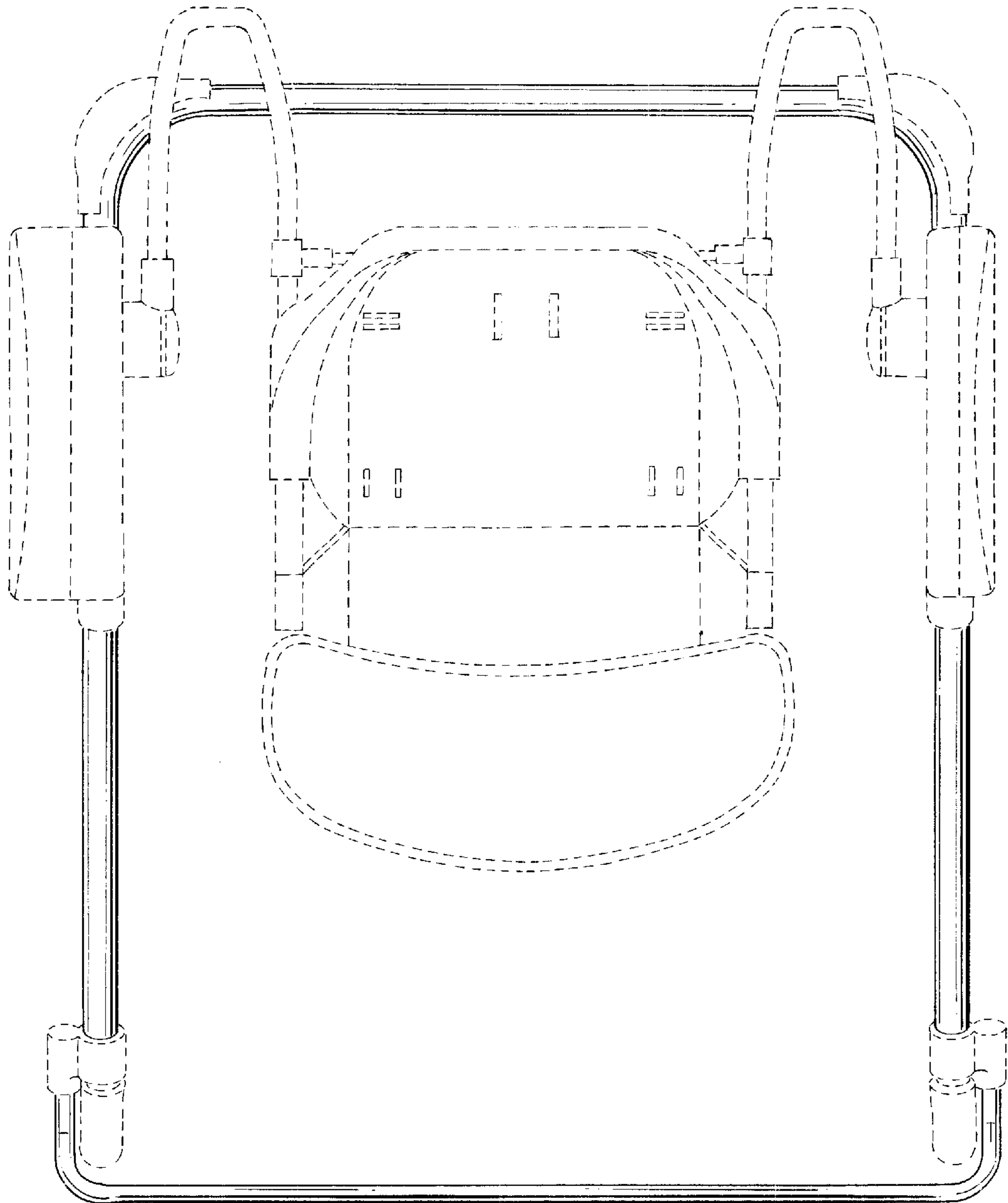




Fig. -6



*Fig.-7*

