



US00D456187S

(12) **United States Design Patent**  
**Lin**

(10) **Patent No.:** **US D456,187 S**

(45) **Date of Patent:** **\*\* Apr. 30, 2002**

(54) **COMBINED CHAIR SEAT/BACKREST**

D412,251 S \* 7/1999 Tseng ..... D6/368

\* cited by examiner

(76) Inventor: **Jeng-Ying Lin**, No. 34, Lane 66, Yung Cheng North Road, Tai Ping, Taichung (TW)

*Primary Examiner*—Gary D. Watson  
(74) *Attorney, Agent, or Firm*—Alan Kamrath; Rider, Bennett, Egan & Arundel, LLP

(\*\*) Term: **14 Years**

(57) **CLAIM**

(21) Appl. No.: **29/134,808**

The ornamental design for combined chair seat/backrest, as shown and described.

(22) Filed: **Dec. 29, 2000**

**DESCRIPTION**

(51) **LOC (7) Cl.** ..... **06-06**

FIG. 1 is a perspective view of a combined chair seat/backrest showing my new design;

(52) **U.S. Cl.** ..... **D6/500; D6/366; D6/375**

FIG. 2 is a front elevational view thereof;

(58) **Field of Search** ..... D6/334, 335, 364, D6/365, 366, 367, 368, 372, 374, 375, 379, 500, 501, 502; 297/411.2, 445.1

FIG. 3 is a rear elevational view thereof;

FIG. 4 is a left elevational view thereof; the opposite side being a mirror image of the shown.

(56) **References Cited**

FIG. 5 is a top plan view thereof; and

**U.S. PATENT DOCUMENTS**

FIG. 6 is bottom plan view thereof; and,

3,856,350 A \* 12/1974 Duke et al. .... D6/367 X

FIG. 7 is the perspective view embodying the utilization of combined chair seat/backrest in which the broken line is for illustrative purposes only and forms no part of the claimed design.

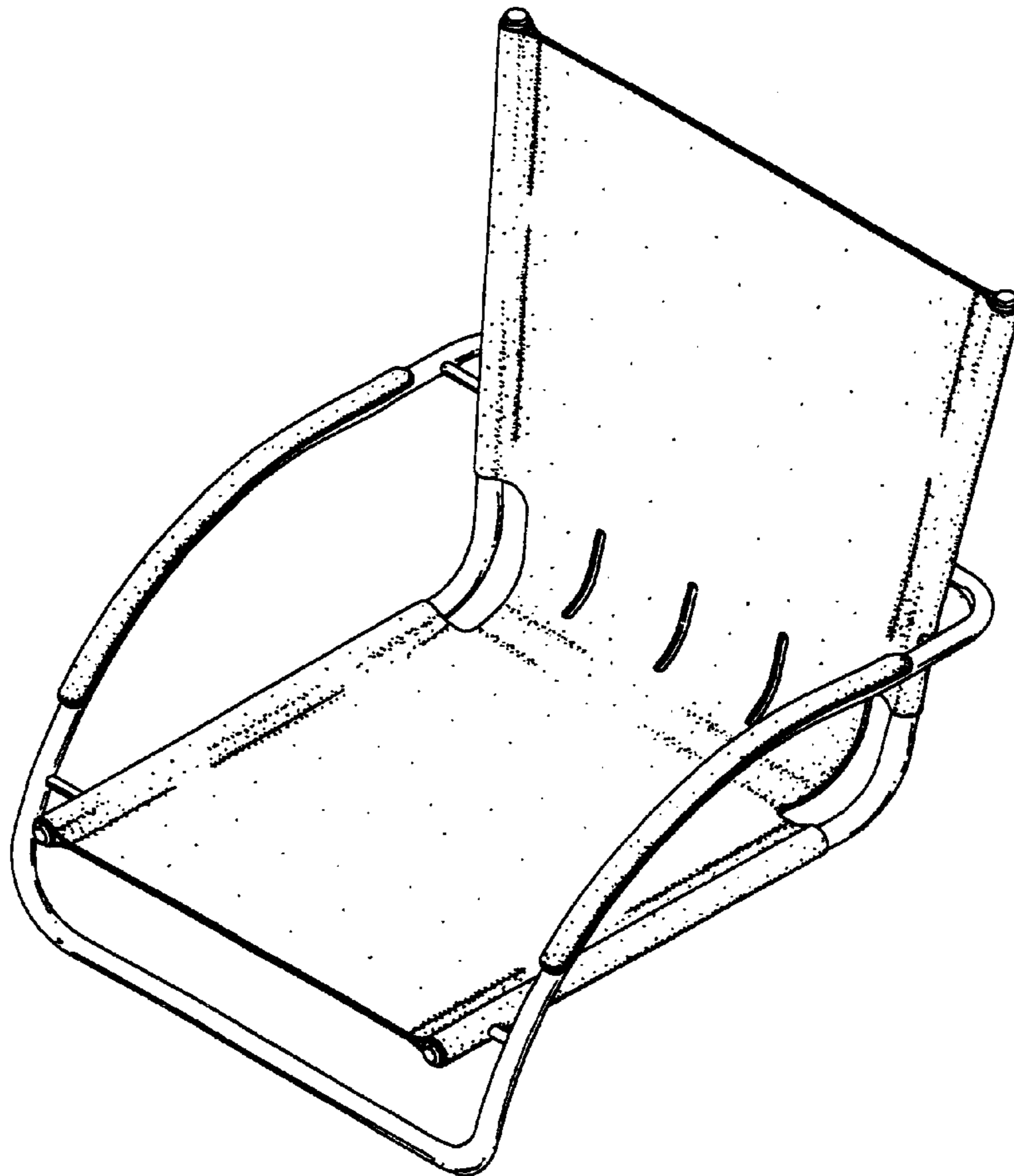
D258,480 S \* 3/1981 Rowland ..... D6/375

D360,082 S \* 7/1995 Tseng ..... D6/368

D399,072 S \* 10/1998 Holbrook ..... D6/372

D410,799 S \* 6/1999 Meda ..... D6/366

**1 Claim, 4 Drawing Sheets**



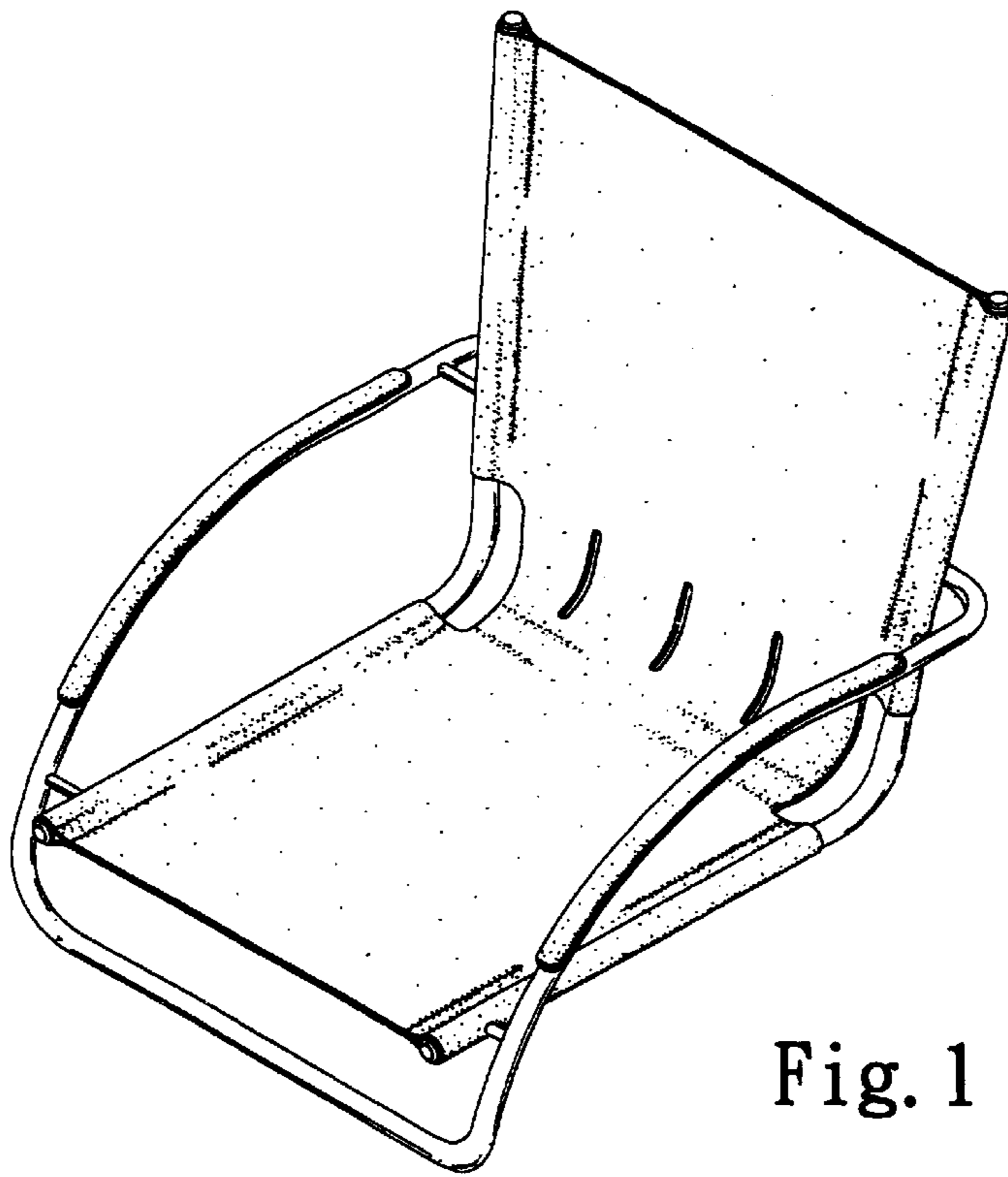


Fig. 1

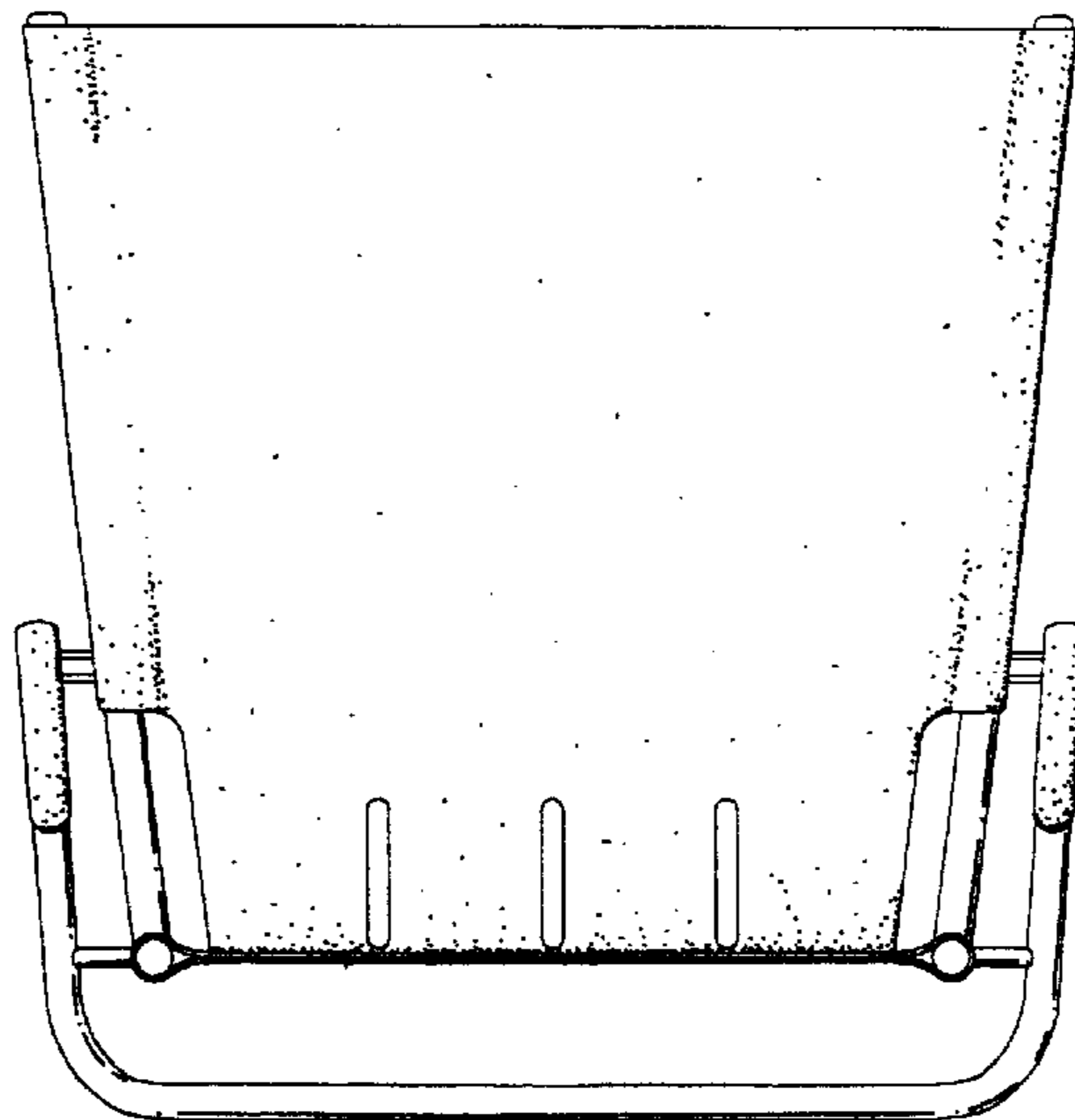


Fig. 2

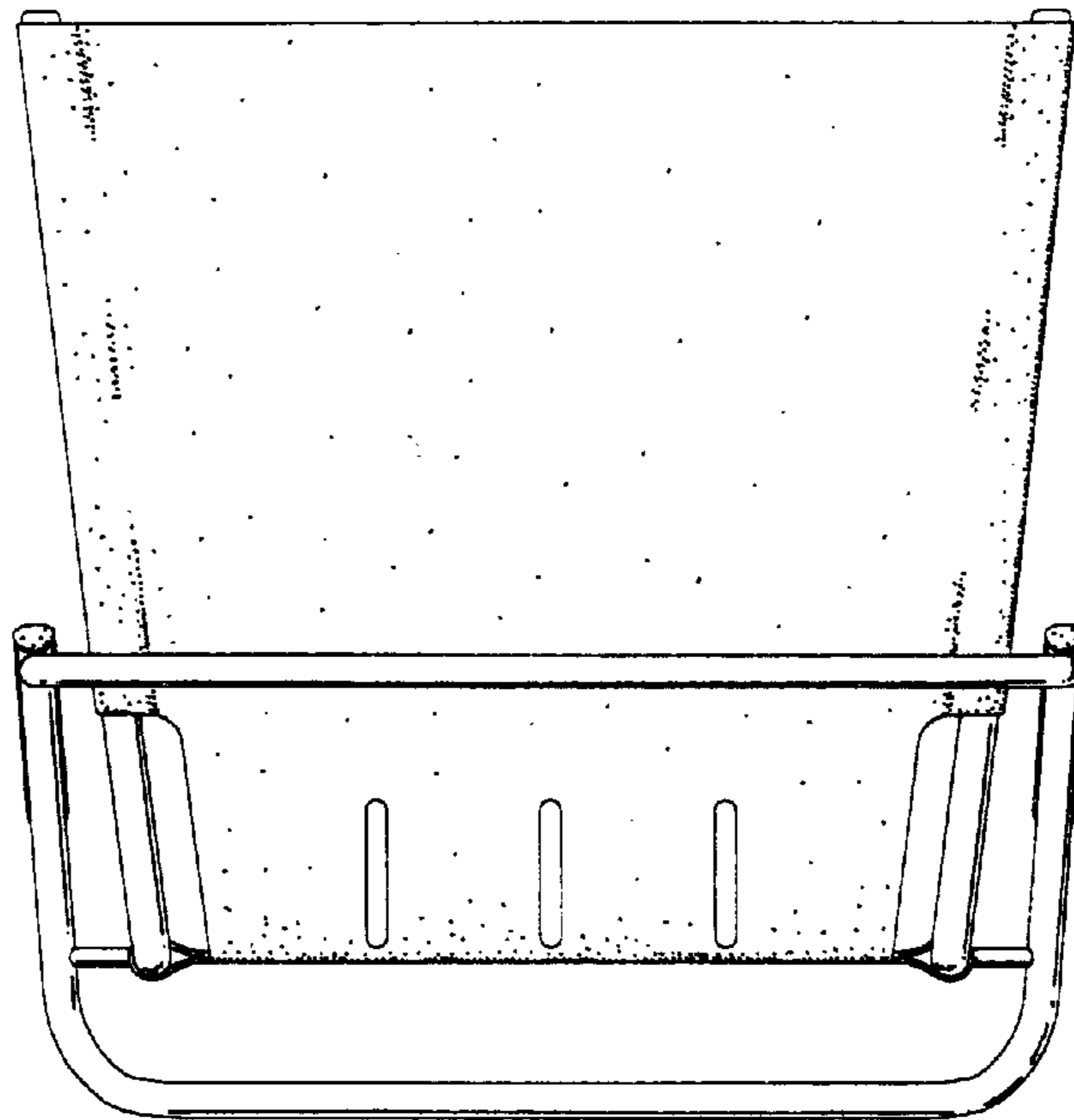


Fig. 3

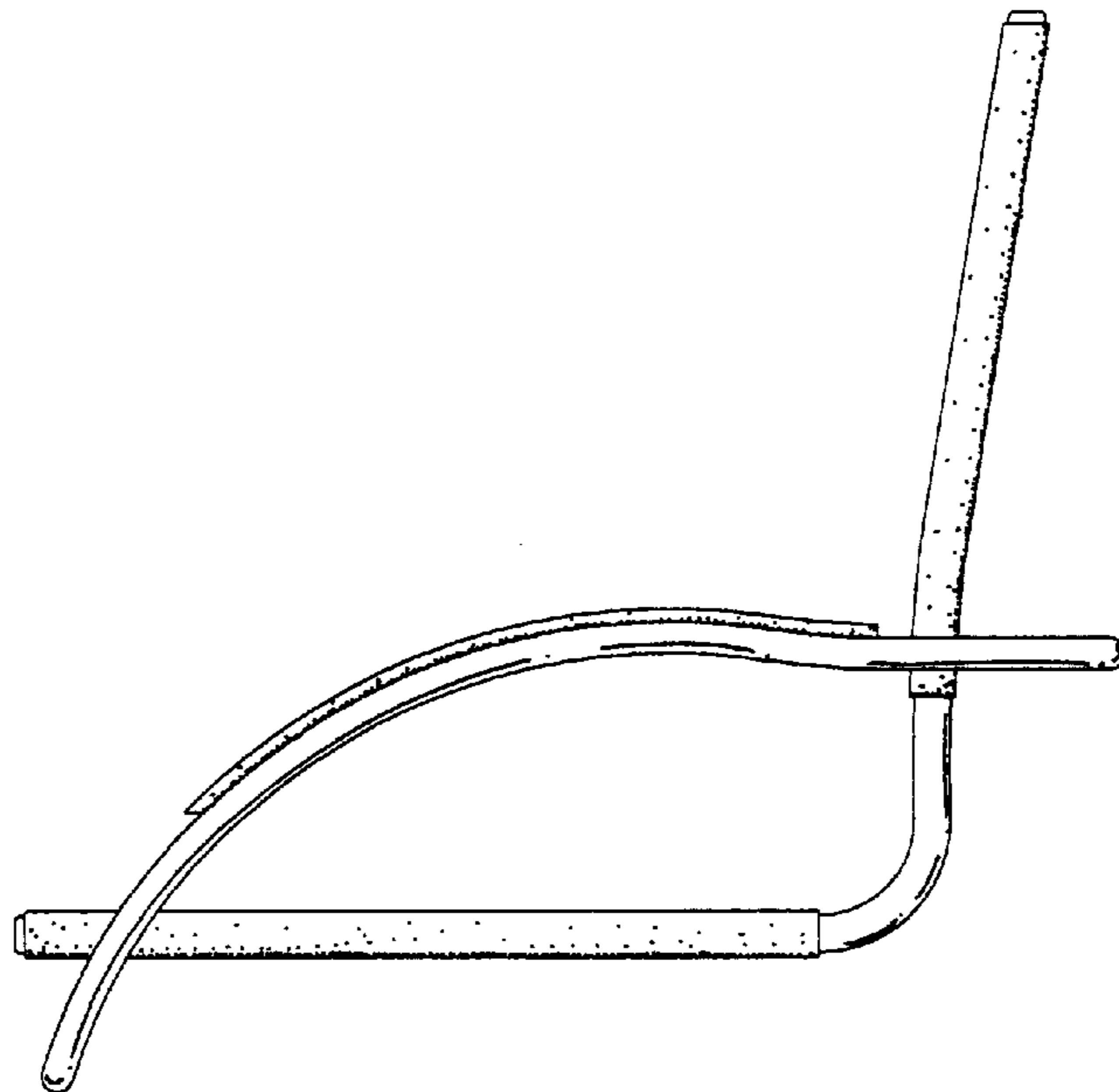


Fig. 4

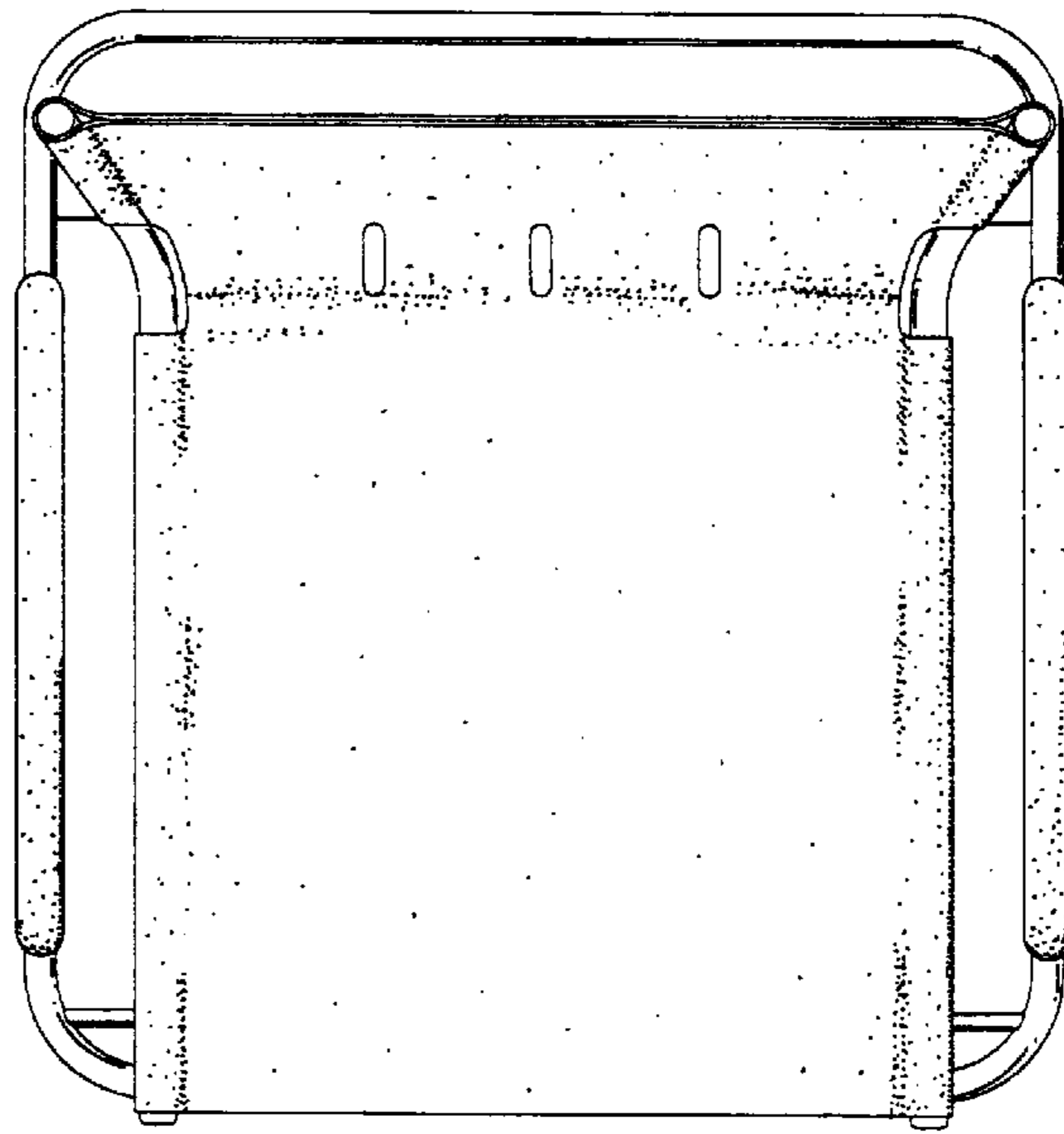


Fig. 5

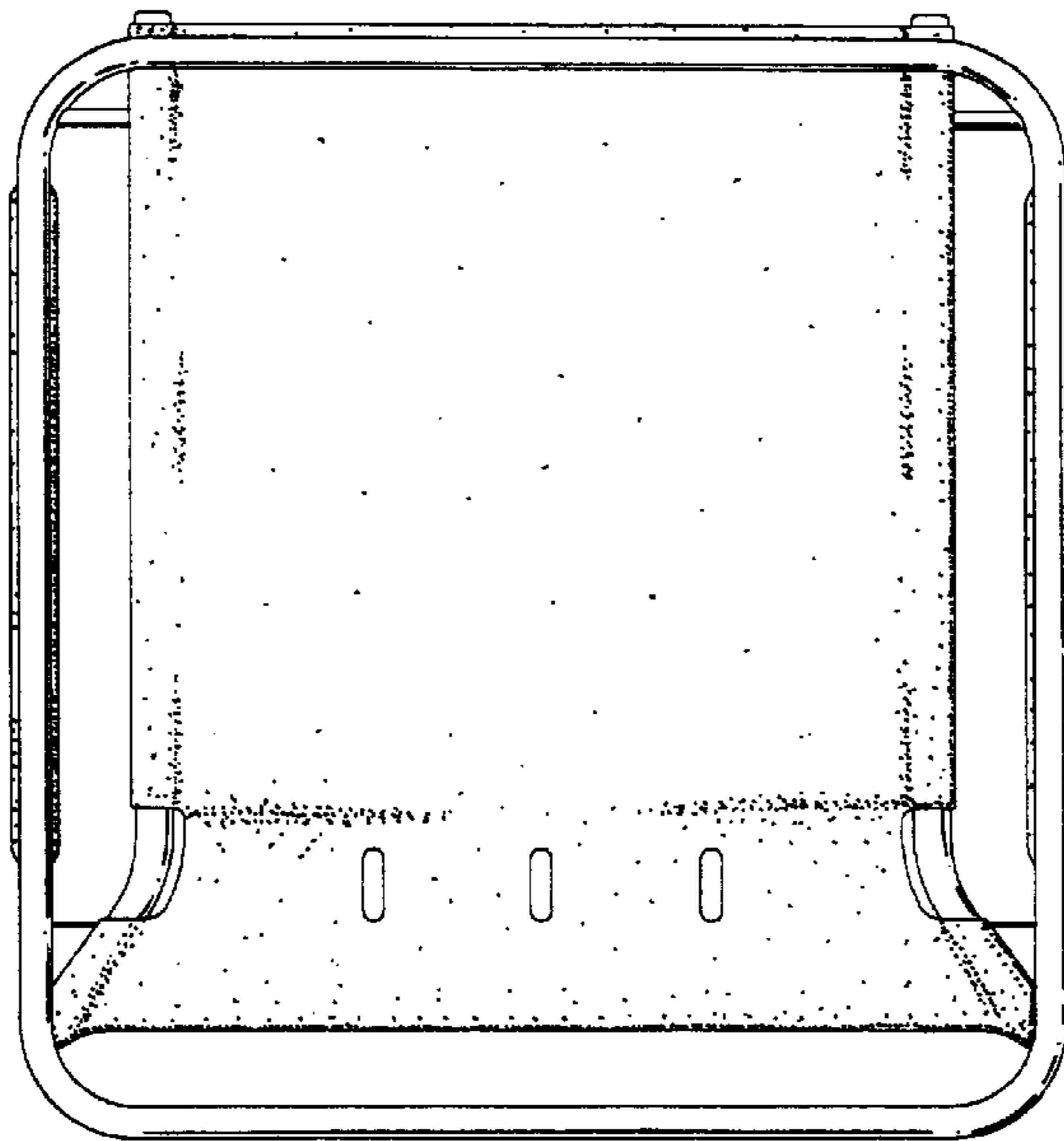


Fig. 6

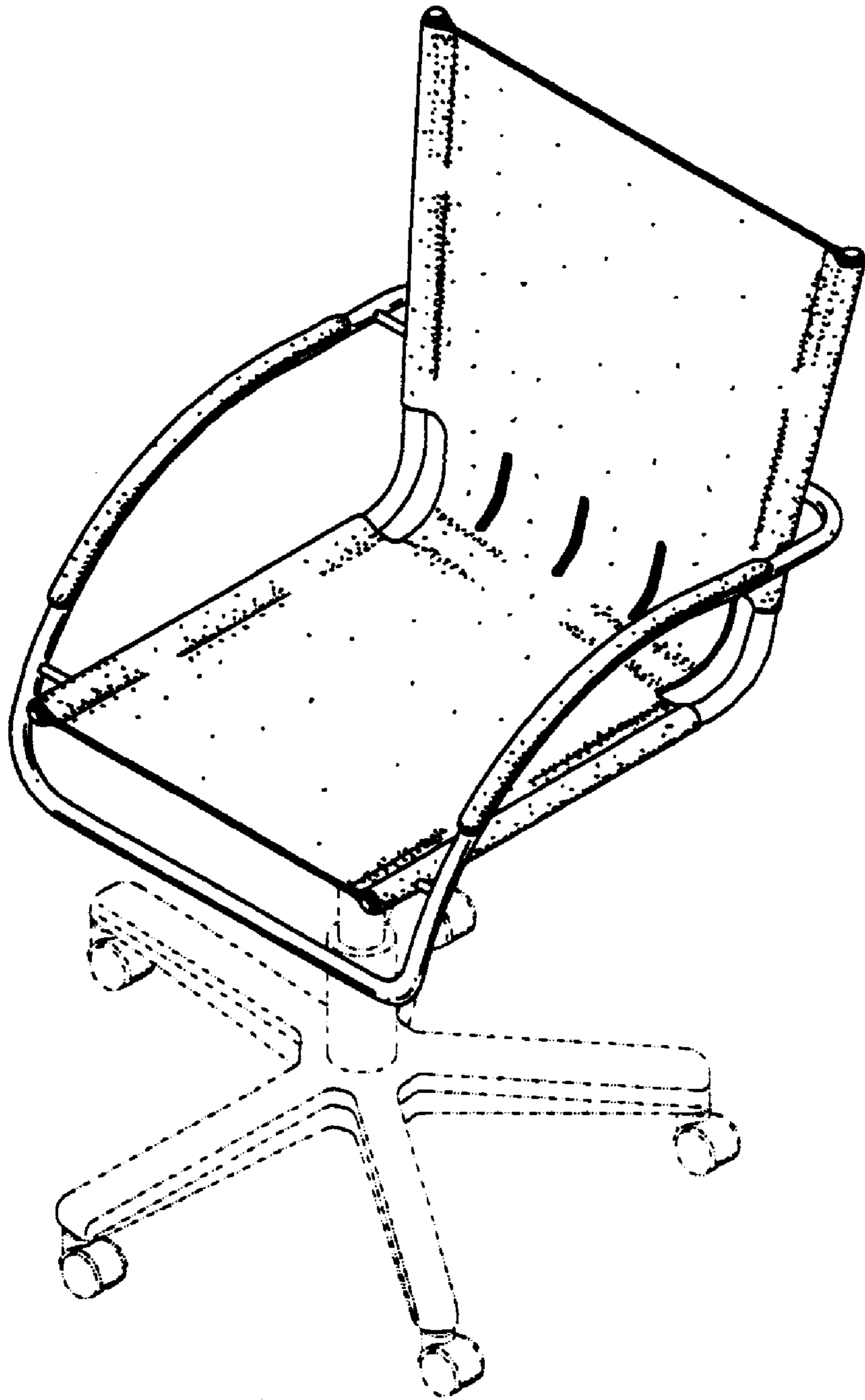


Fig. 7