



US00D456186S

(12) **United States Design Patent**
Liu

(10) **Patent No.:** **US D456,186 S**

(45) **Date of Patent:** **** Apr. 30, 2002**

(54) **ROTARY CHAIR**

(76) Inventor: **Lausan Chung-Hsin Liu**, No. 243,
Chien-Kuo Rd., Hsin-Tien City, Taipei
Hsien (TW)

(**) Term: **14 Years**

(21) Appl. No.: **29/145,619**

(22) Filed: **Jul. 27, 2001**

(51) **LOC (7) Cl.** **06-06**

(52) **U.S. Cl.** **D6/498; D6/365**

(58) **Field of Search** D6/334, 335, 344,
D6/364, 365, 374, 375, 376, 379, 380,
495-499, 500-502; 297/258.1, 302.1, 302.3,
302.4, 326, 344.21, 265.1, 263.1

(56) **References Cited**

U.S. PATENT DOCUMENTS

2,916,084	A	*	12/1959	Bottemiller et al.	297/326
4,592,126	A	*	6/1986	Bottemiller	297/258.1
4,786,106	A	*	11/1988	Bottemiller	297/265.1
5,931,530	A	*	8/1999	Liu	297/344.21

* cited by examiner

Primary Examiner—Caron D. Veynar

Assistant Examiner—Mimosa De

(74) *Attorney, Agent, or Firm*—Bacon & Thomas, PLLC

(57) **CLAIM**

The ornamental design for rotary chair, as shown and described.

DESCRIPTION

FIG. 1 is a perspective view of “rotary chair” showing our new design thereof;

FIG. 2 is a right side elevational view thereof and the left side elevational view being a mirror image thereof,

FIG. 3 is a top plan view thereof;

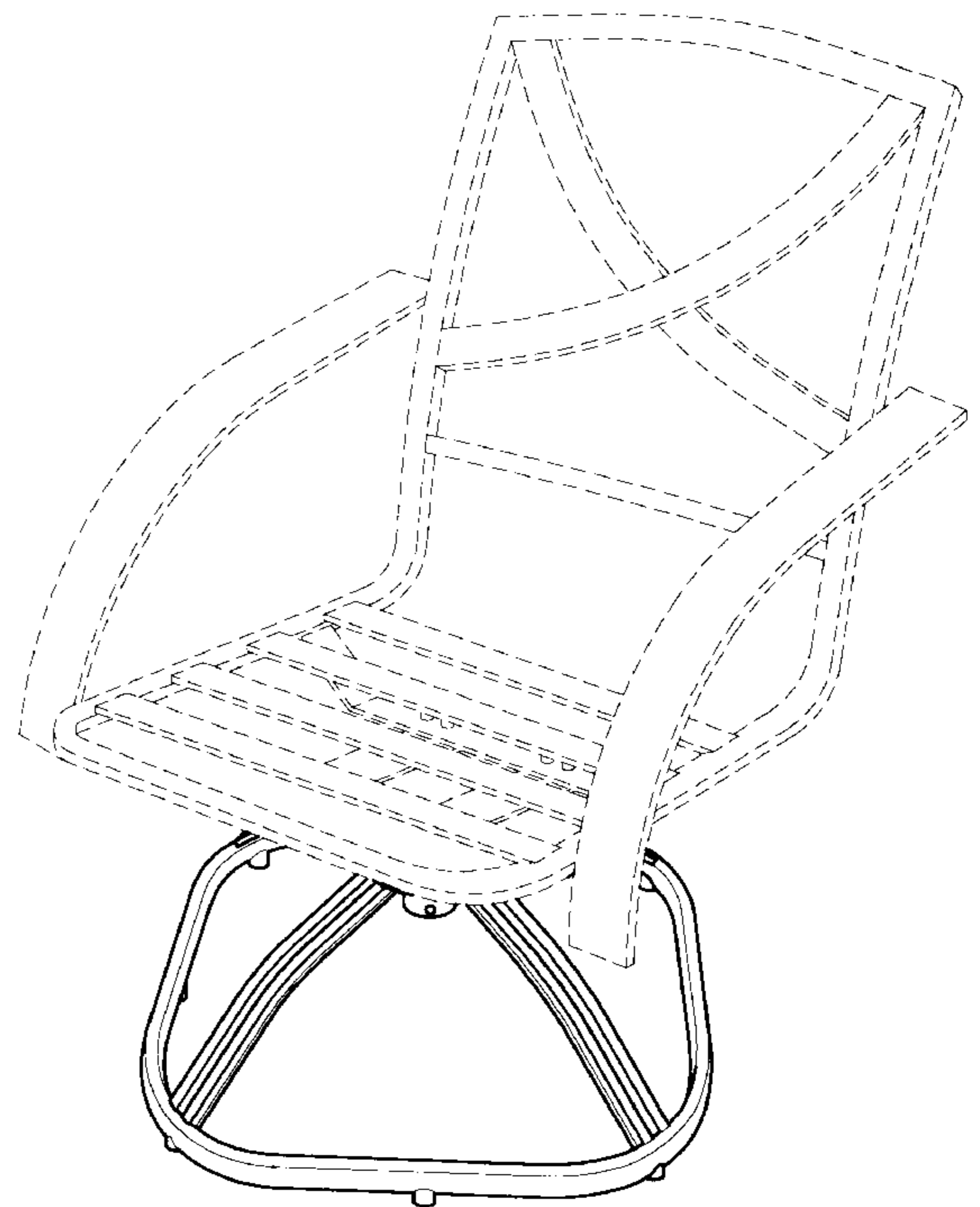
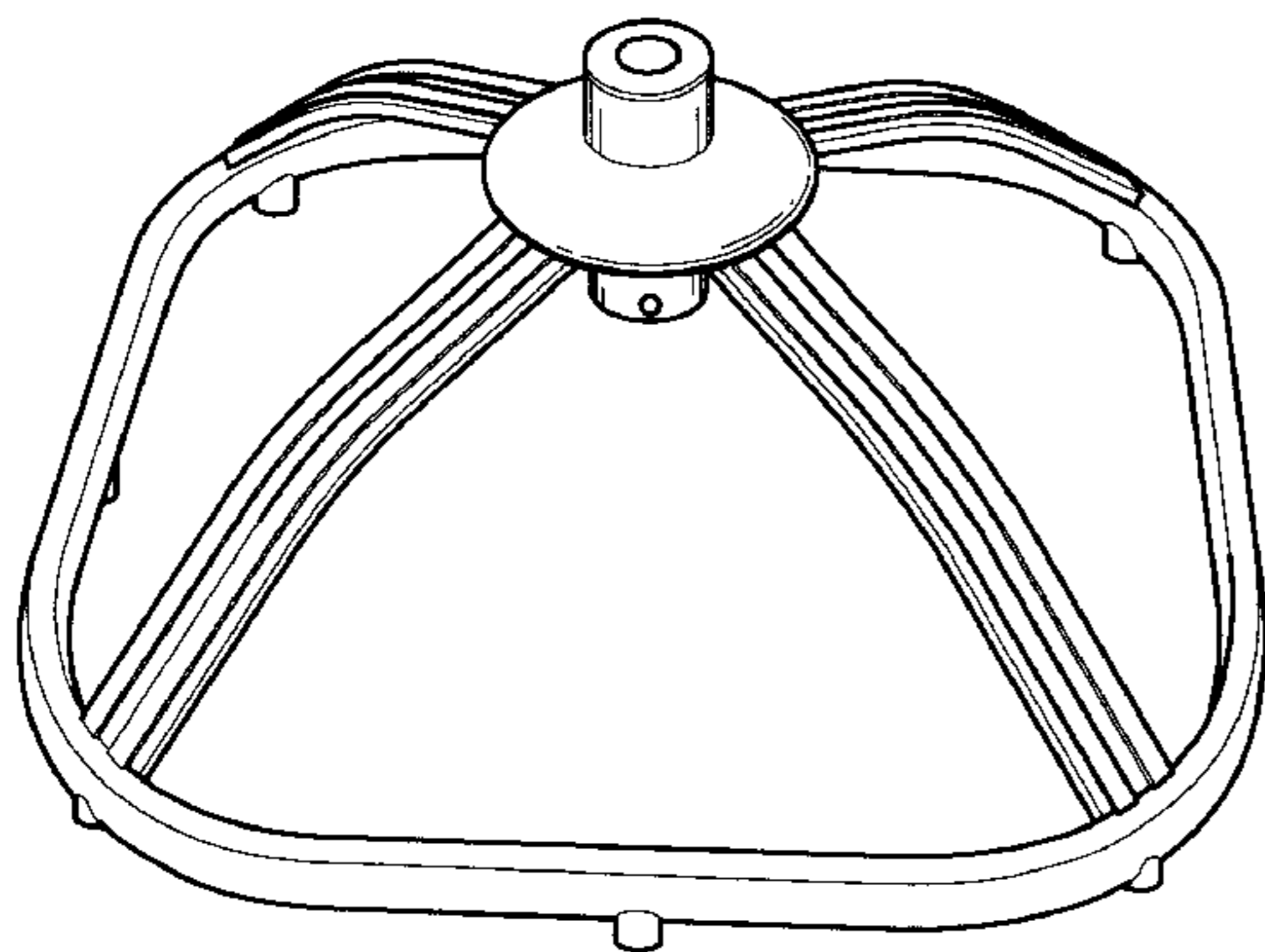
FIG. 4 is a front side elevational view and the rear side elevational view being a mirror image thereof,

FIG. 5 is a bottom plan view thereof; and,

FIG. 6 is a perspective view thereof shown in using position.

It being understood that the broken line showing of chair is for illustrative purposes only and forms no part of the claimed design.

1 Claim, 6 Drawing Sheets



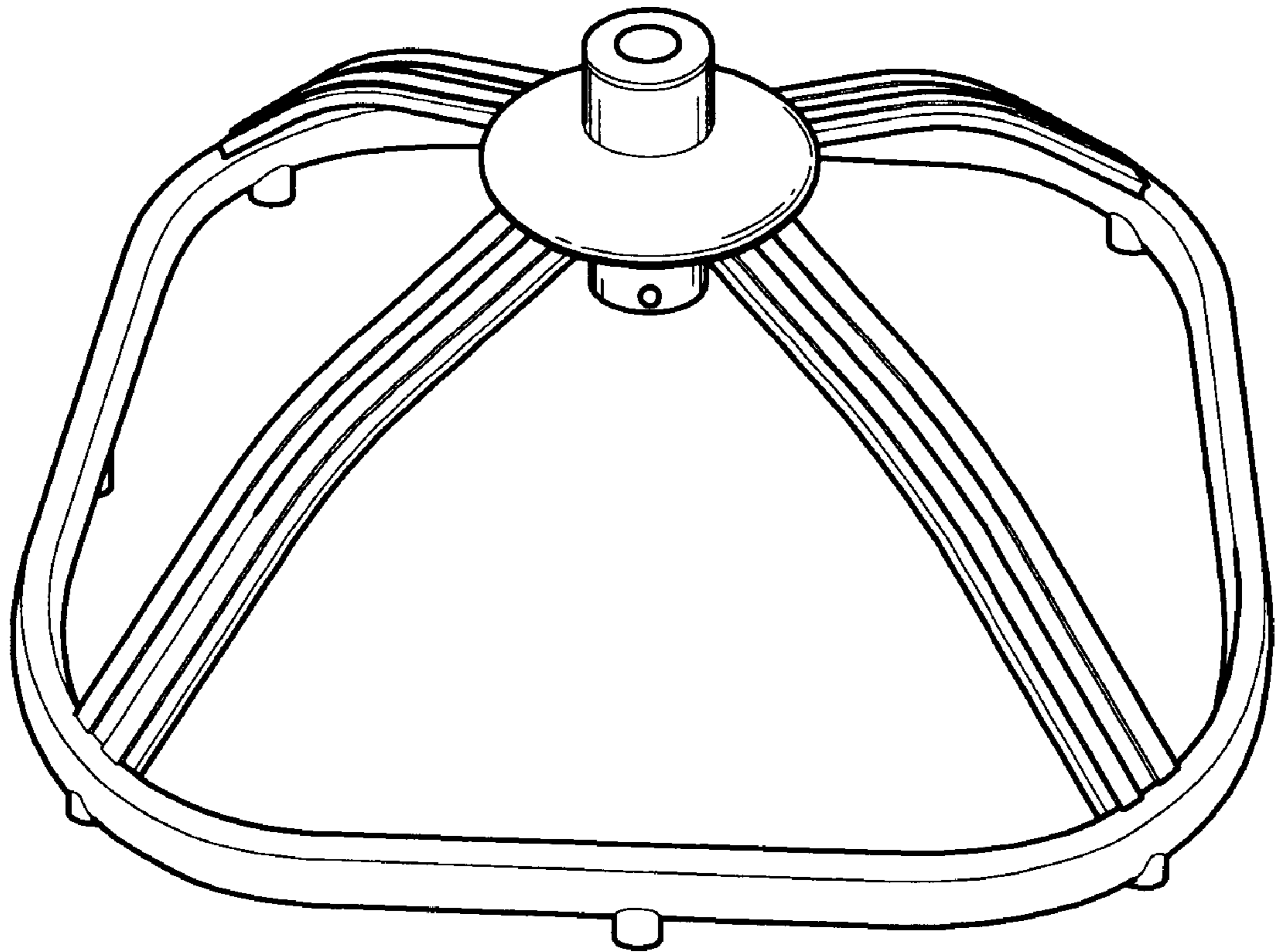


Fig. 1

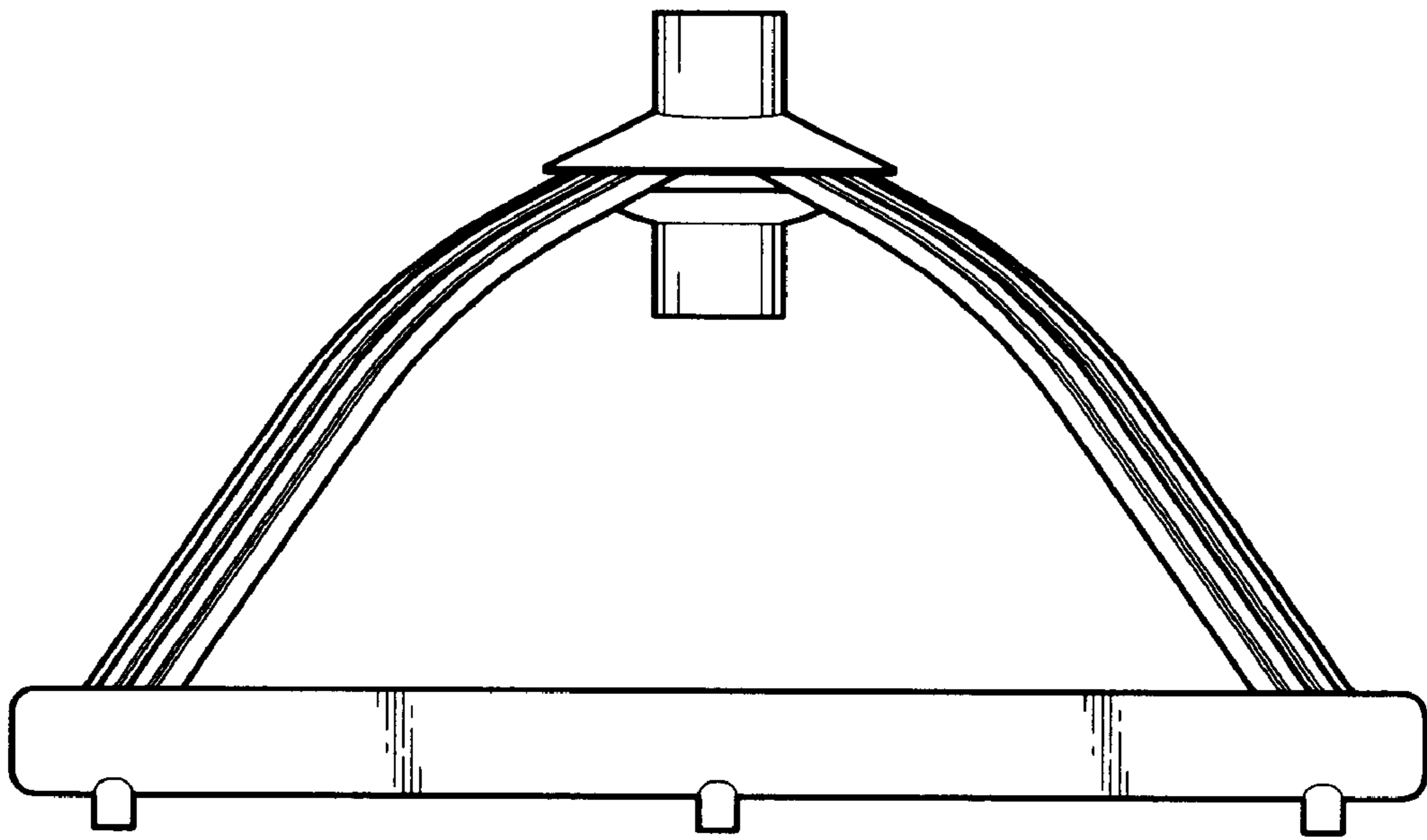


Fig. 2

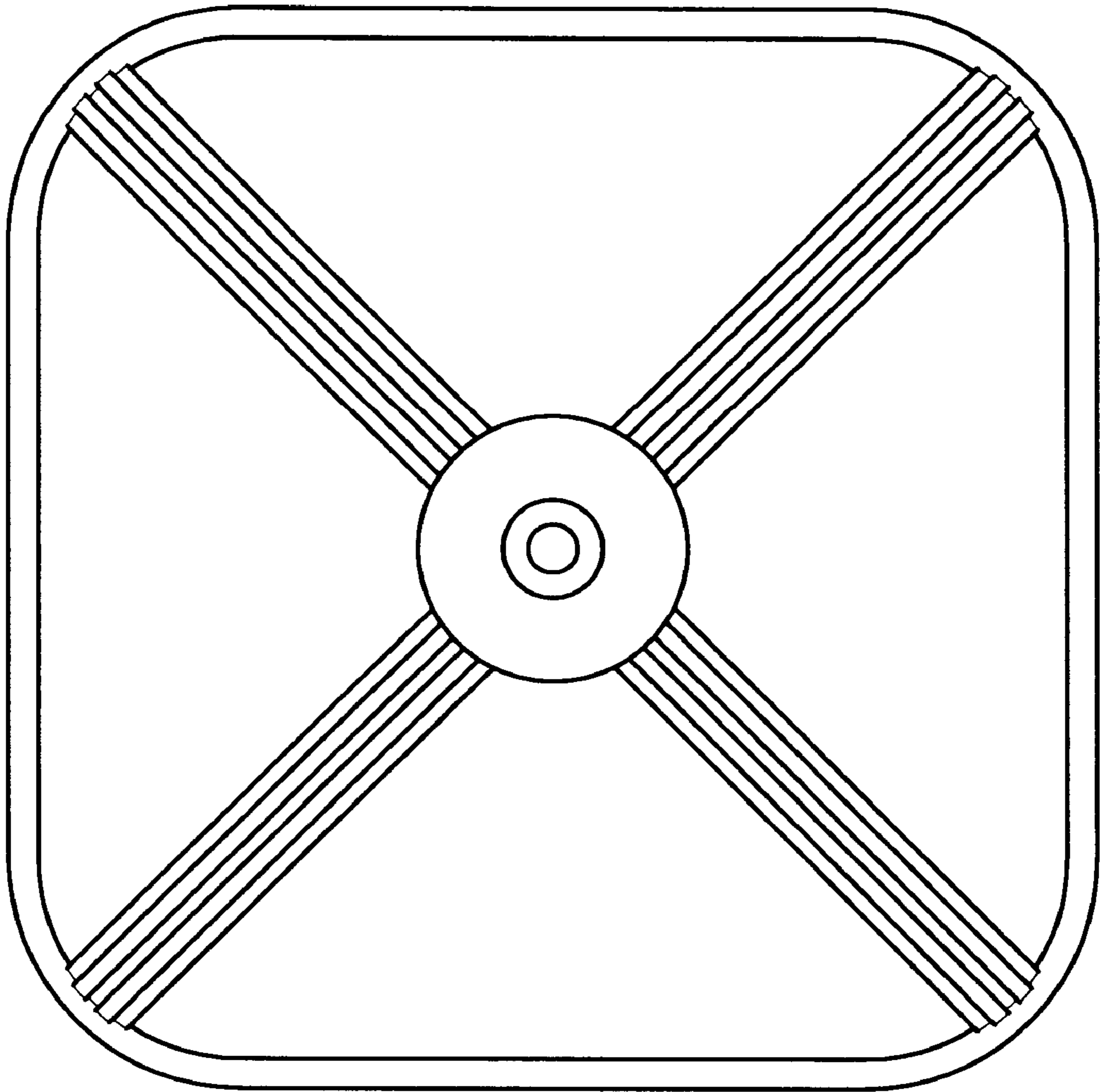


Fig. 3

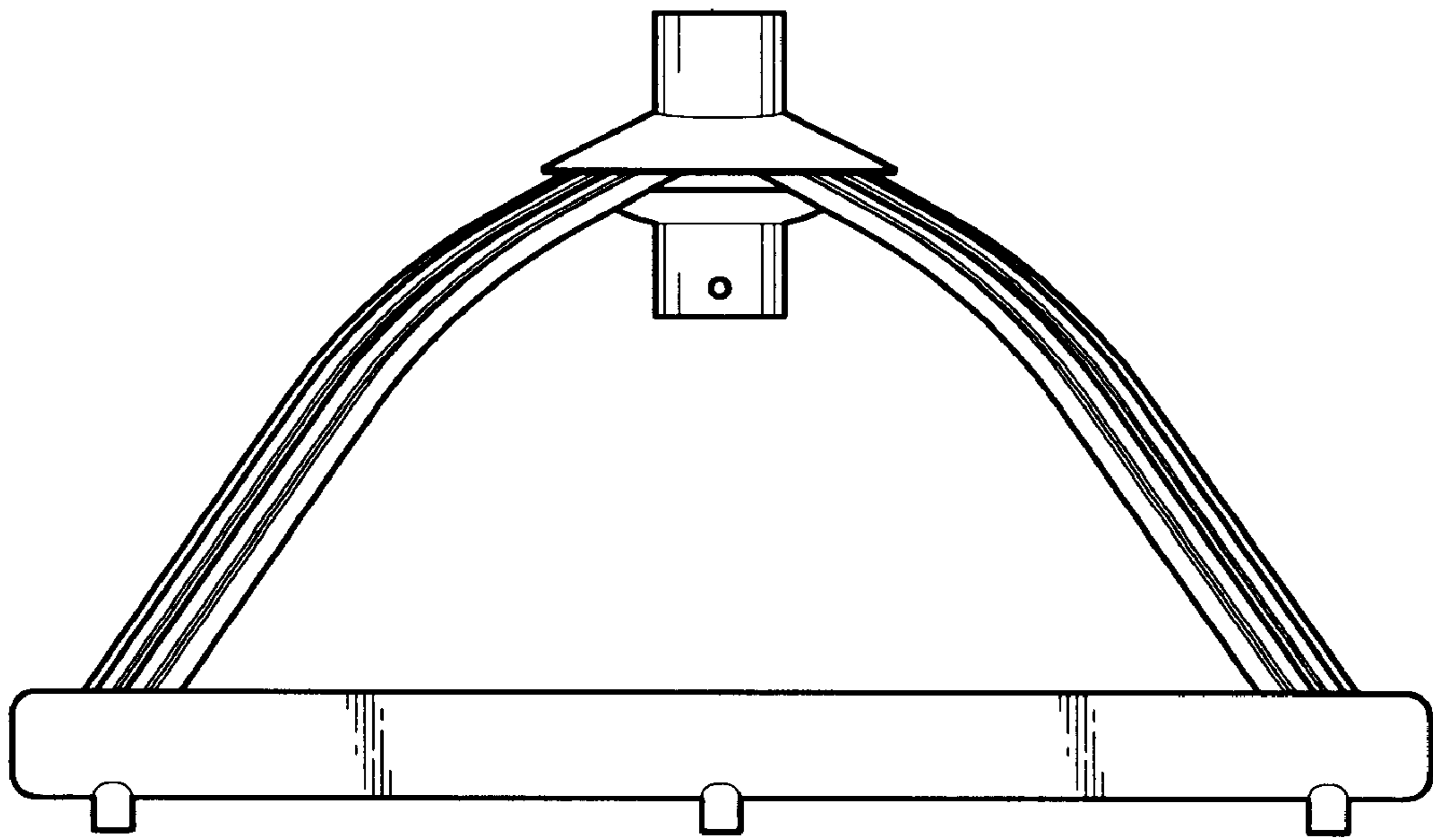


Fig. 4

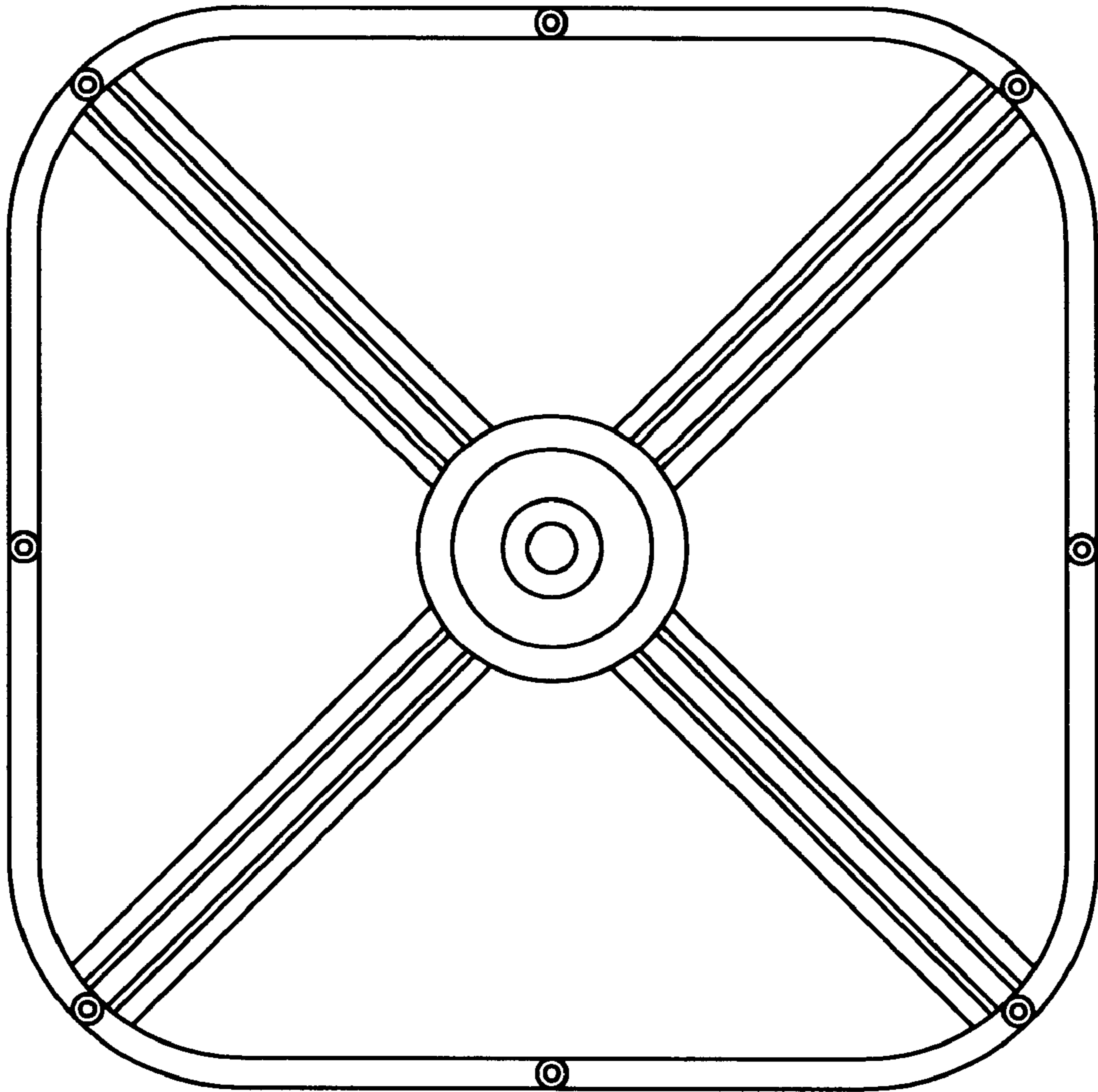


Fig. 5

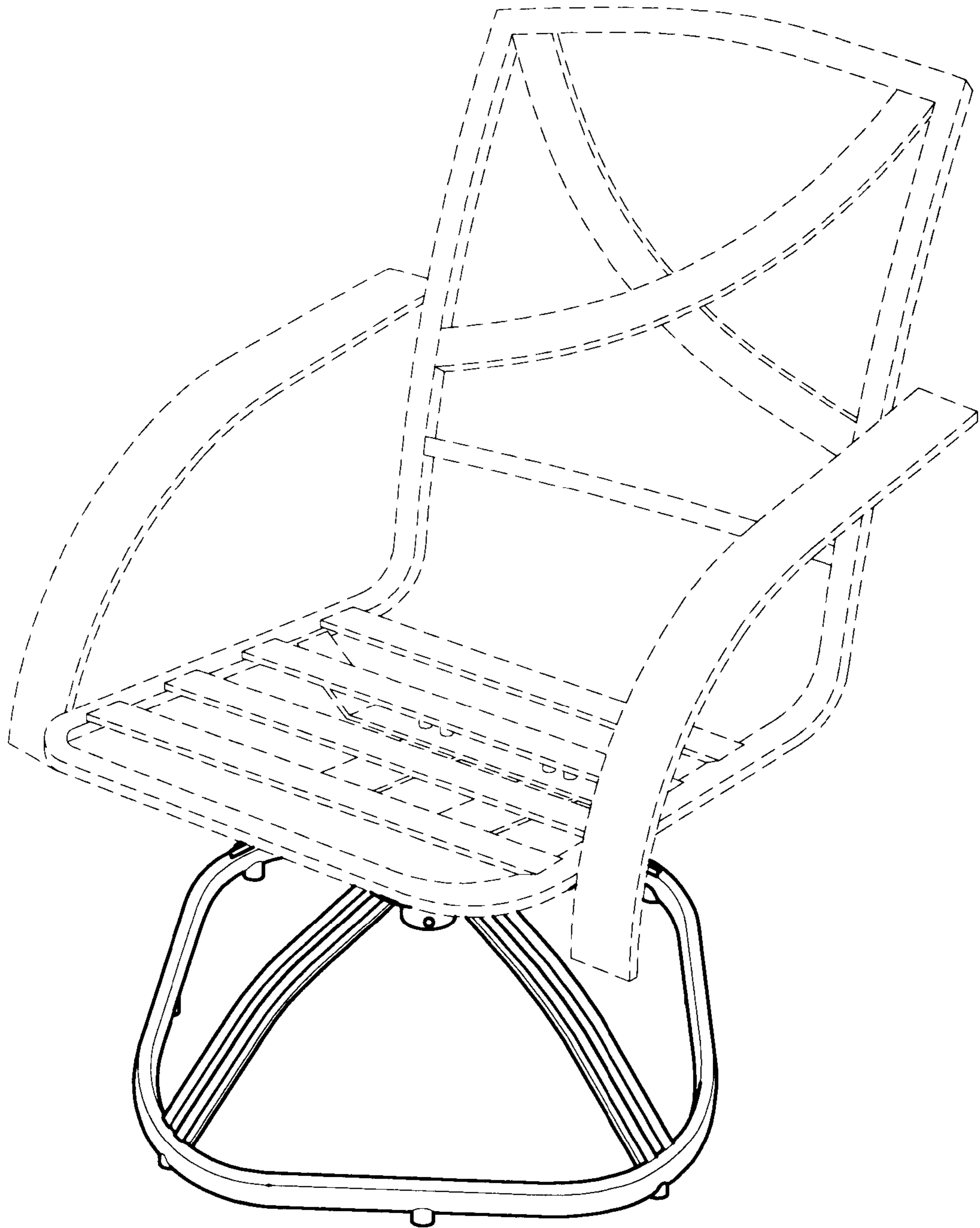


Fig. 6