



US00D456182S

(12) **United States Design Patent**
Hamilton et al.

(10) **Patent No.:** **US D456,182 S**

(45) **Date of Patent:** **** Apr. 30, 2002**

(54) **COORDINATED ACCESSORY FOOT AND FURNITURE FOOT**

(75) **Inventors:** **John R. Hamilton; Daniel Grabowski,**
both of Grand Rapids; **James N. Ludwig,** East Grand Rapids, all of MI (US)

(73) **Assignee:** **Steelcase Development Corporation,**
Caledonia, MI (US)

(**) **Term:** **14 Years**

(21) **Appl. No.:** **29/143,570**

(22) **Filed:** **Jun. 15, 2001**

(51) **LOC (7) Cl.** **06-06**

(52) **U.S. Cl.** **D6/491; D6/495; D6/509**

(58) **Field of Search** D6/422-428, 421,
D6/480, 484, 487; 312/194-196, 208.1,
239, 140.4; 108/50.01, 50.02, 27; 248/188,
188.1, 188.8, 188.9

4,377,976 A	3/1983	Porter	
4,530,539 A	7/1985	Gaber et al.	
4,569,498 A	2/1986	Ermanski	
4,586,746 A	5/1986	Day et al.	
4,612,863 A	9/1986	Vonhausen et al.	
4,619,486 A	10/1986	Hannah et al.	
4,731,900 A	3/1988	Frobose	
4,818,016 A	4/1989	Mariol et al.	
4,883,330 A	11/1989	Armstrong et al.	
4,914,873 A	4/1990	Newhouse	
D309,839 S	8/1990	Newhouse	
D311,833 S	11/1990	Newhouse	
D321,447 S	11/1991	Newhouse	
5,092,253 A	3/1992	Grund et al.	
5,142,832 A	9/1992	Branham, Sr. et al.	
D354,643 S	* 1/1995	Hansel et al.	D6/484
5,486,042 A	1/1996	Heisler et al.	
D374,125 S	10/1996	Bernstein et al.	
5,609,112 A	3/1997	Meyer et al.	

(List continued on next page.)

FOREIGN PATENT DOCUMENTS

DE 1148679 4/1969

Primary Examiner—Janice E. Seeger
(74) *Attorney, Agent, or Firm*—Price Heneveld Cooper DeWitt & Litton

(56) **References Cited**

U.S. PATENT DOCUMENTS

358,626 A	3/1887	Robinson	
433,032 A	7/1890	Rawlings	
995,410 A	6/1911	McClure	
1,094,812 A	4/1914	Reck	
1,495,189 A	5/1924	Mack	
1,952,749 A	3/1934	Ellis	
2,752,218 A	6/1956	Shea, Sr.	
D183,441 S	8/1958	Williams	
2,852,221 A	9/1958	Steiner	
D186,896 S	12/1959	Monroe et al.	
2,942,924 A	6/1960	Stangert	
2,981,583 A	4/1961	Eisenberg	
3,027,214 A	* 3/1962	Curatolo	312/194
3,261,584 A	7/1966	Miller	
D210,734 S	* 4/1968	Henrikson et al.	D6/487
3,517,822 A	6/1970	Wagner	
3,748,006 A	7/1973	Levit et al.	
3,986,780 A	10/1976	Nivet	
4,035,097 A	7/1977	Bachand	
4,161,303 A	7/1979	Bachand	

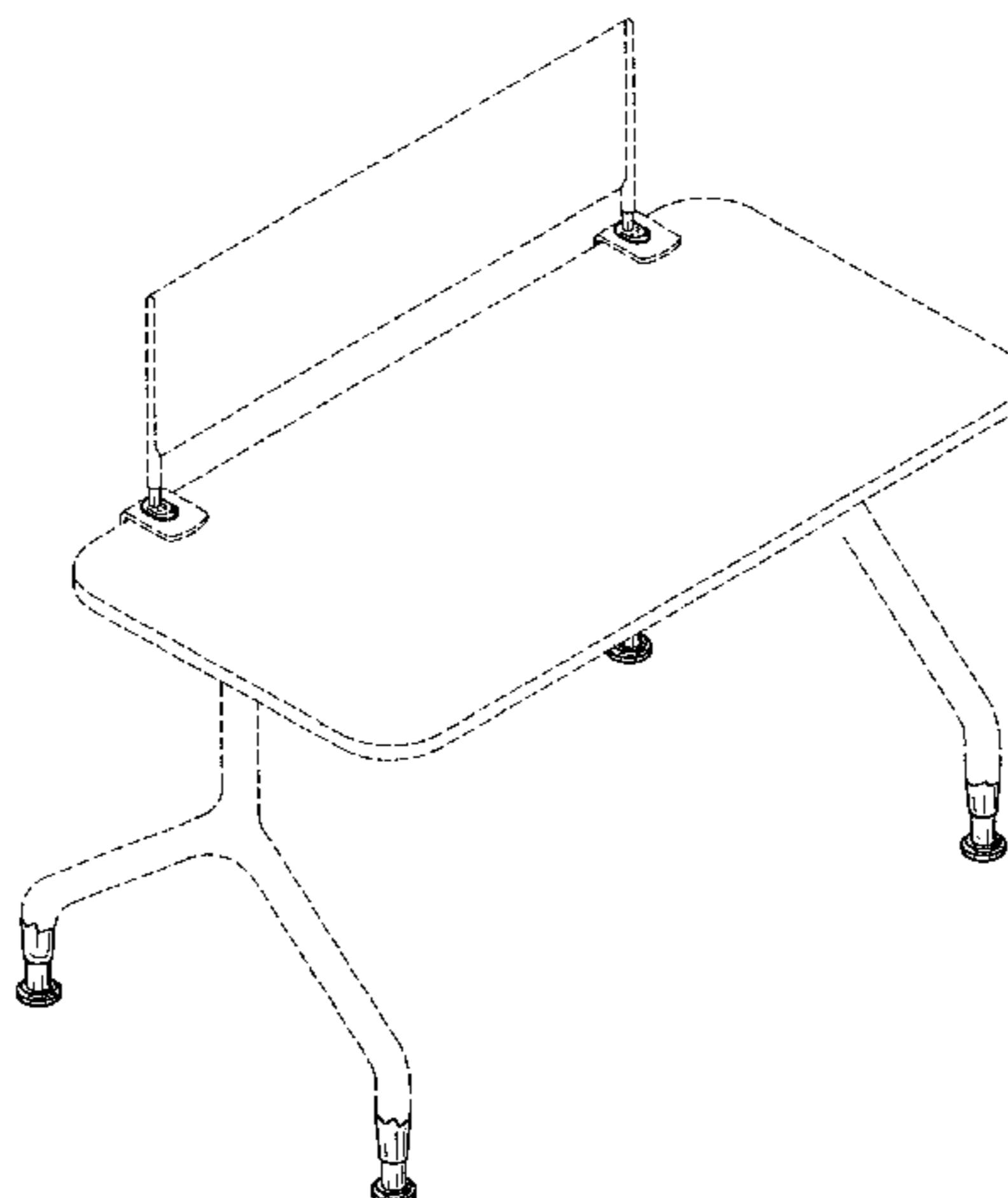
(57) **CLAIM**

The ornamental design for coordinated accessory foot and furniture foot, as shown and described.

DESCRIPTION

FIG. 1 is a perspective view of a coordinated accessory foot and furniture foot;
FIG. 2 is a left side view of FIG. 1, the right side being a mirror image thereof; and,
FIG. 3 is a front view of FIG. 1, the rear view being a mirror image thereof.
The dashed lines are to show the environment of the present invention, and are not part of the invention.

1 Claim, 2 Drawing Sheets



US D456,182 S

Page 2

U.S. PATENT DOCUMENTS

5,655,670 A	8/1997	Stuart	6,044,982 A	4/2000	Stuart
5,775,521 A	7/1998	Tisbo	D423,828 S	5/2000	Wilkinson
5,906,420 A	5/1999	Rozier, Jr. et al.	6,076,474 A	6/2000	Grabowski et al.
5,908,002 A	6/1999	Alexander et al.	6,119,992 A	9/2000	Stuart
5,947,034 A	9/1999	Belka et al.	6,170,410 B1	1/2001	Gioacchini et al.
5,971,171 A	10/1999	Thorp et al.	6,213,191 B1	4/2001	Nitzsche
D422,429 S	4/2000	Belka et al.			

* cited by examiner

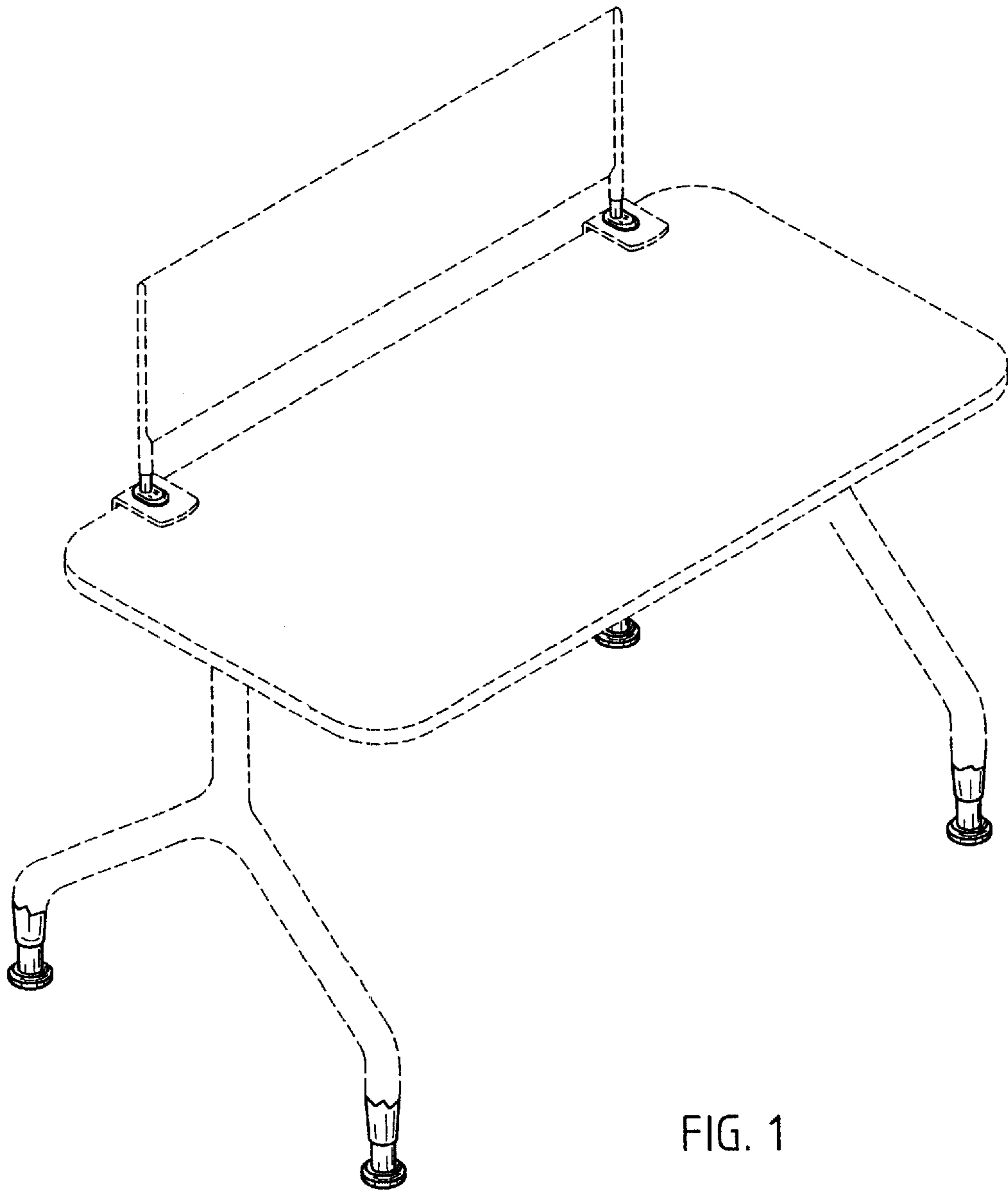


FIG. 1

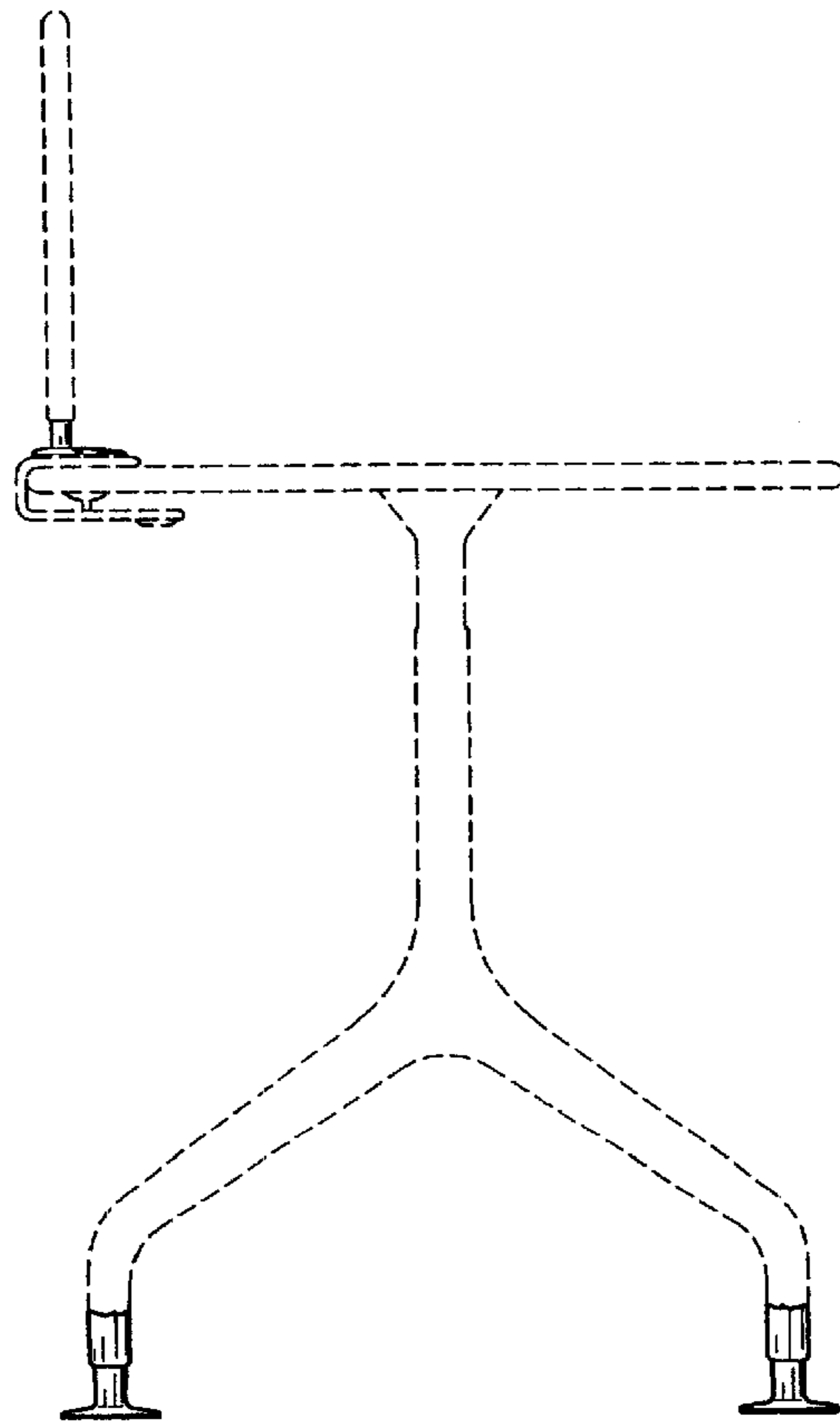


FIG. 2

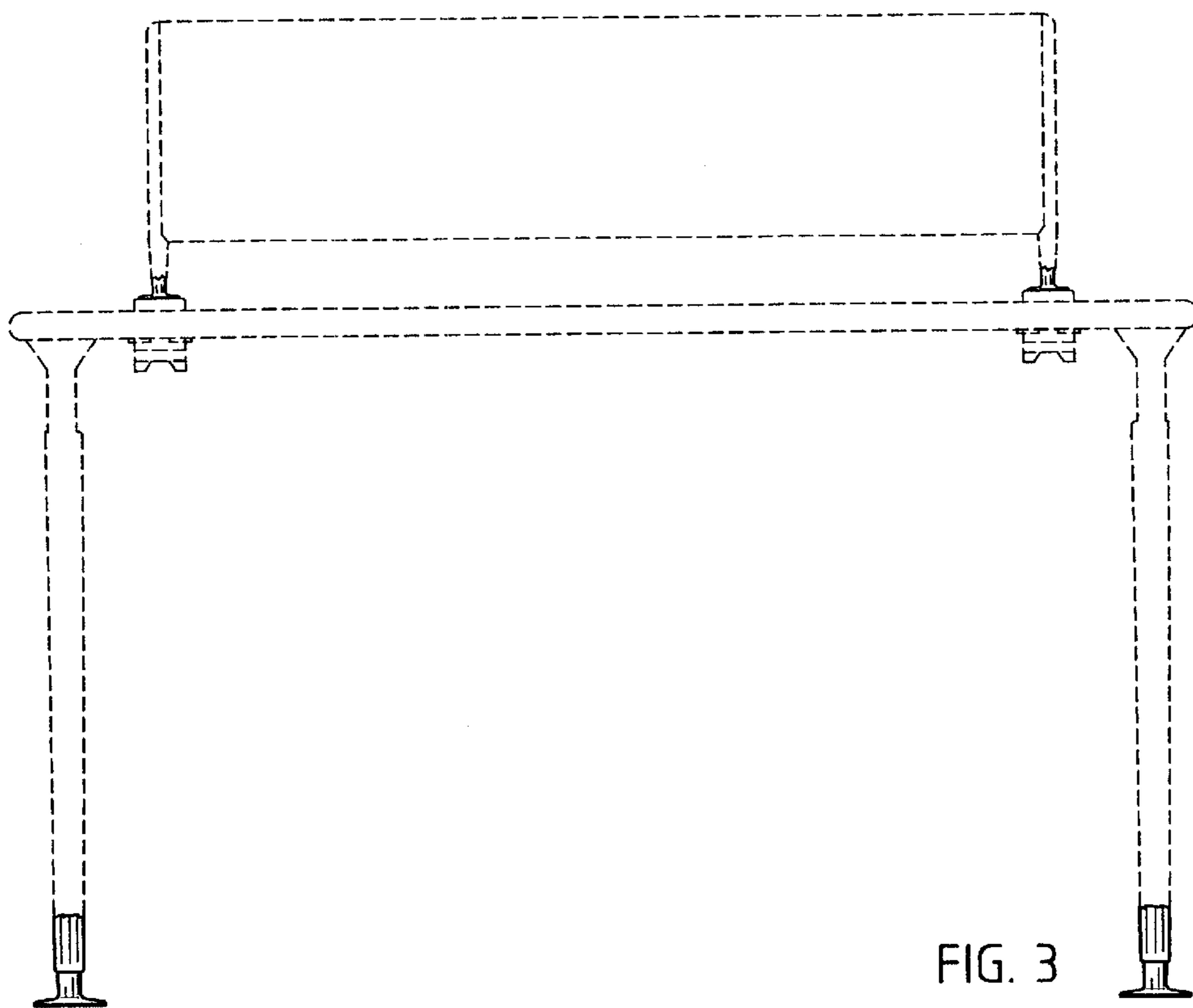


FIG. 3