



US00D456181S

(12) **United States Design Patent**  
**Swensson et al.**

(10) **Patent No.:** **US D456,181 S**

(45) **Date of Patent:** **\*\* Apr. 30, 2002**

(54) **END TABLE**

(75) **Inventors:** **Earl S. Swensson, Franklin; David S. Gilbert, Mt. Juliet, both of TN (US)**

(73) **Assignee:** **Wellness, LLC, Nashville, TN (US)**

(\*\*) **Term:** **14 Years**

(21) **Appl. No.:** **29/138,039**

(22) **Filed:** **Mar. 1, 2001**

(51) **LOC (7) Cl.** ..... **06-03**

(52) **U.S. Cl.** ..... **D6/486; D6/482; D6/495**

(58) **Field of Search** ..... **D6/480-489, 495, D6/423, 427, 349; 108/150, 153.1, 157.1, 161; 312/140.1, 140.2; 297/461, 462**

(56) **References Cited**

**U.S. PATENT DOCUMENTS**

D144,045 S	3/1946	Fletcher	.....	D6/423
D279,059 S	6/1985	Tekel	.....	D6/482
D302,215 S	7/1989	Fontanelli	.....	D6/335
D313,910 S	* 1/1991	Kubryk	.....	D6/486
D326,194 S	5/1992	Lewis	.....	D6/446
D327,186 S	6/1992	Tarlow	.....	D6/441
D330,644 S	11/1992	Bellini et al.	.....	D6/422
D330,654 S	11/1992	Bareiss	.....	D6/495
D331,164 S	11/1992	Deimen et al.	.....	D6/484
D333,053 S	2/1993	Hosoe	.....	D6/482
D333,230 S	2/1993	Bareiss	.....	D6/495
D336,191 S	6/1993	Deimen et al.	.....	D6/511
D338,789 S	8/1993	Rizzi	.....	D6/486
D341,507 S	11/1993	Harvey et al.	.....	D6/482
D342,634 S	12/1993	Barlow-Lawson	.....	D6/511
D352,407 S	11/1994	Rizzi	.....	D6/482

D367,774 S	3/1996	Wood, Jr.	.....	D6/422
D371,699 S	7/1996	Muller-Deisig et al.	.....	D6/482
D383,017 S	9/1997	Kelly et al.	.....	D6/482
D390,382 S	2/1998	Schwartz	.....	D6/480
D419,001 S	1/2000	Swensson et al.	.....	D6/486
D419,002 S	1/2000	Swensson et al.	.....	D6/486
D419,340 S	1/2000	Swensson et al.	.....	D6/486
D420,536 S	2/2000	Swensson et al.	.....	D6/486
D421,535 S	3/2000	Swensson et al.	.....	D6/486

\* cited by examiner

*Primary Examiner*—Janice E. Seeger

(74) *Attorney, Agent, or Firm*—Waddey & Patterson; Lucian Wayne Beavers

(57) **CLAIM**

The ornamental design for an end table, as shown and described.

**DESCRIPTION**

FIG. 1 is a perspective view showing the end table of Applicant's invention.

FIG. 2 is a top view of the end table of Applicant's invention.

FIG. 3 is a bottom view of the end table of Applicant's invention.

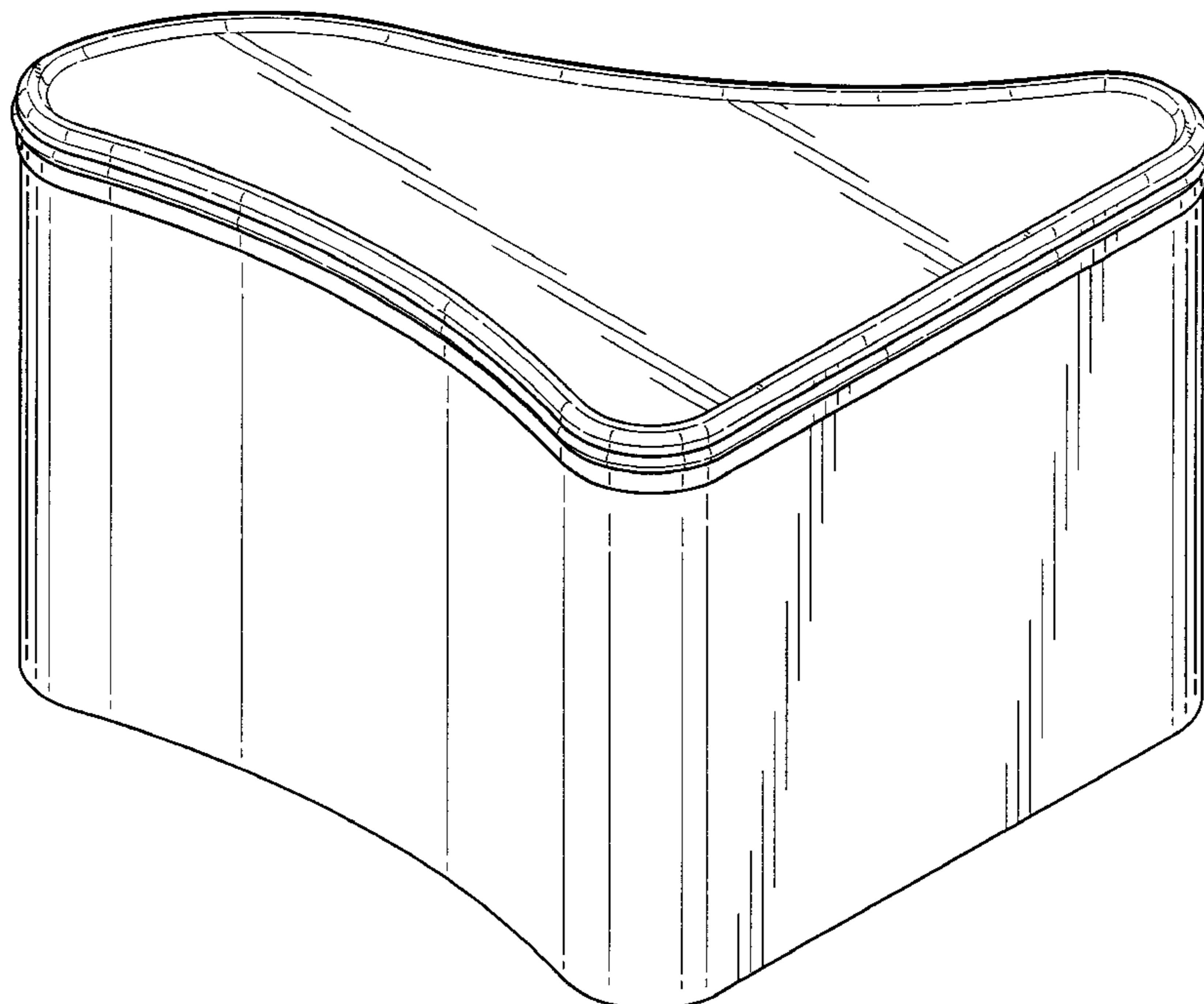
FIG. 4 is a rear elevation view of the end table of Applicant's invention, the rear being defined as the lowermost edge seen in FIG. 2.

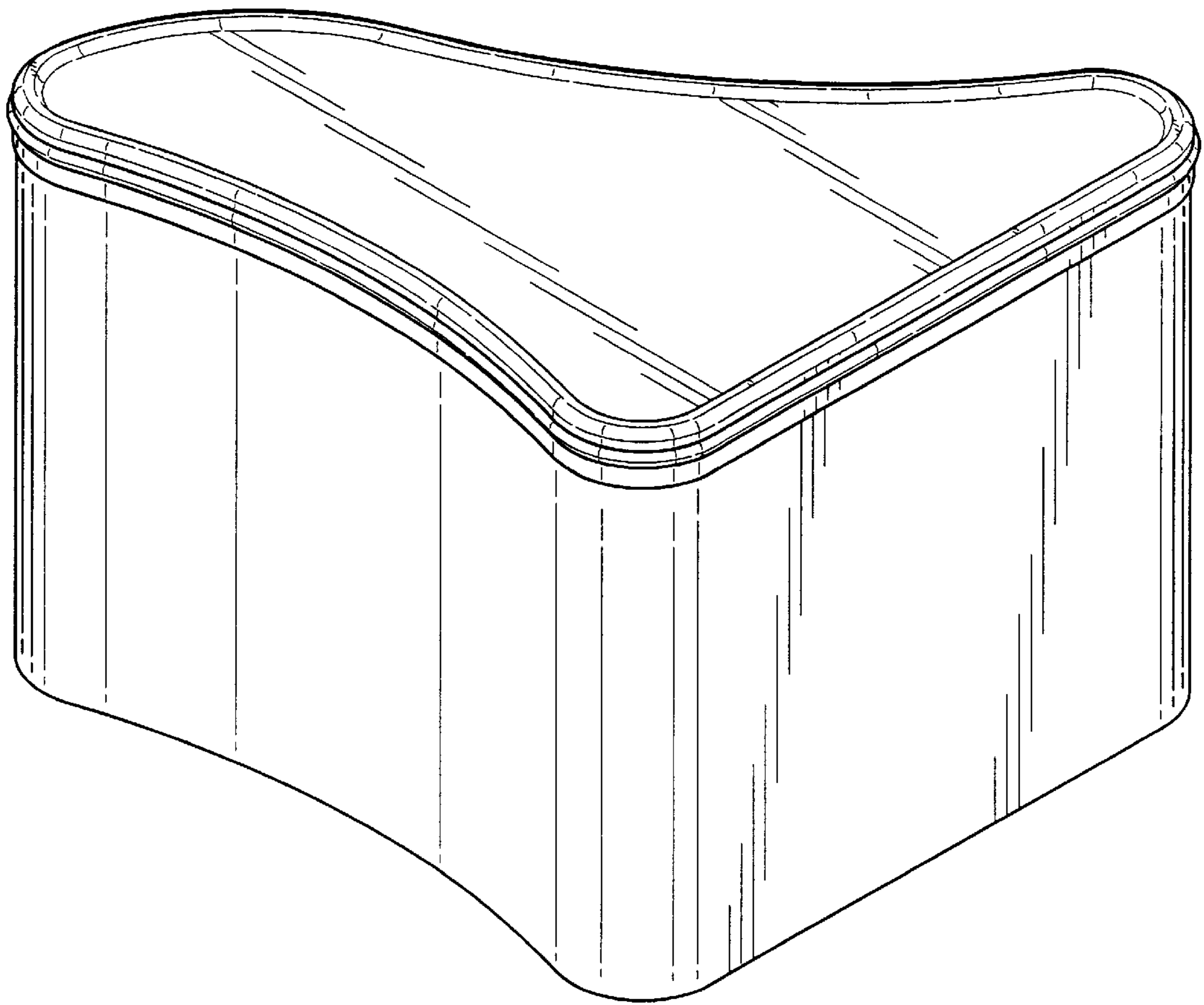
FIG. 5 is a right side elevation view of the end table of Applicant's invention as oriented in FIG. 2.

FIG. 6 is a front elevation view of the end table of Applicant's invention oriented as shown in FIG. 2; and,

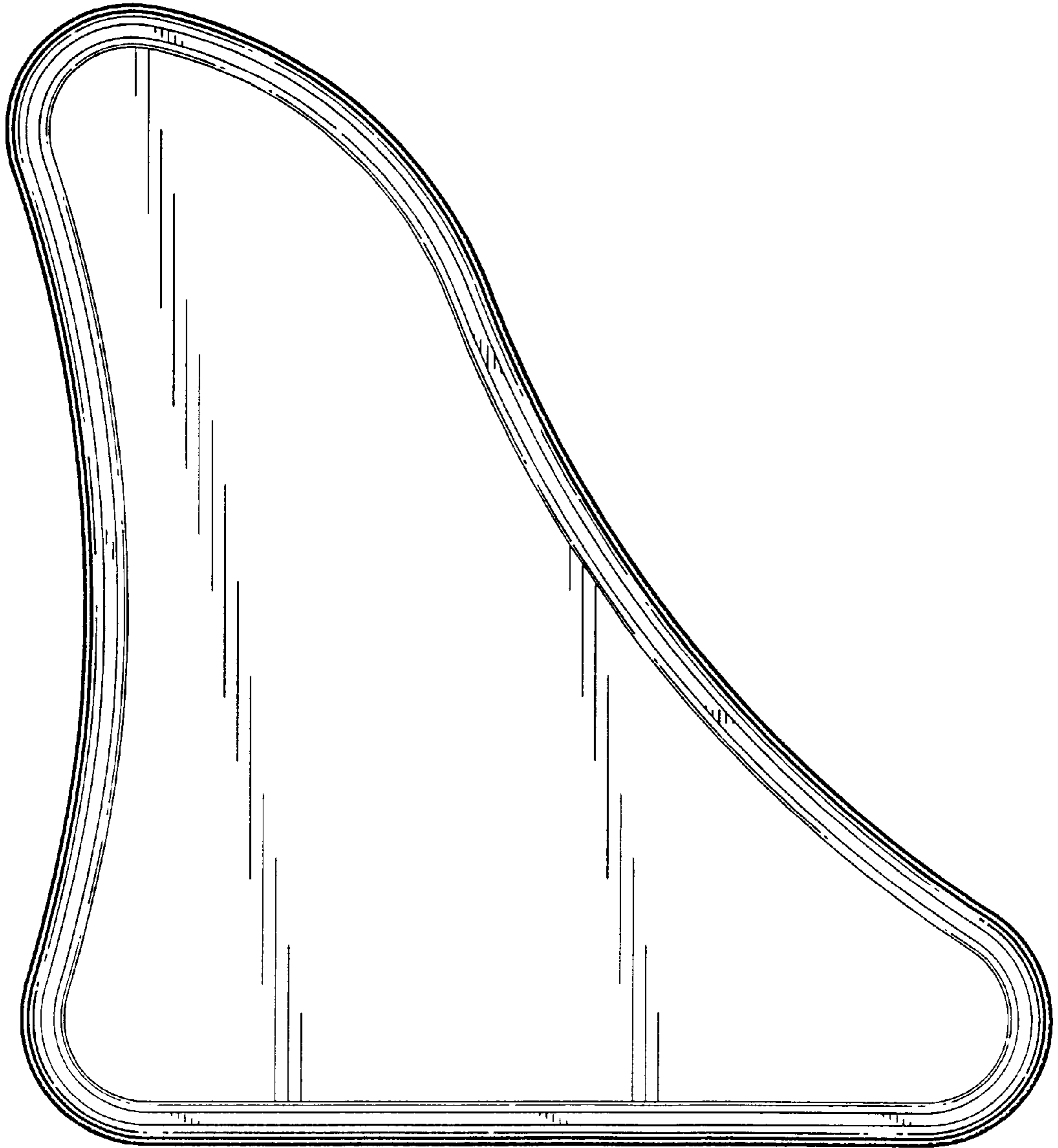
FIG. 7 is a left side elevation view of the end table of Applicant's invention oriented as shown in FIG. 2.

**1 Claim, 7 Drawing Sheets**

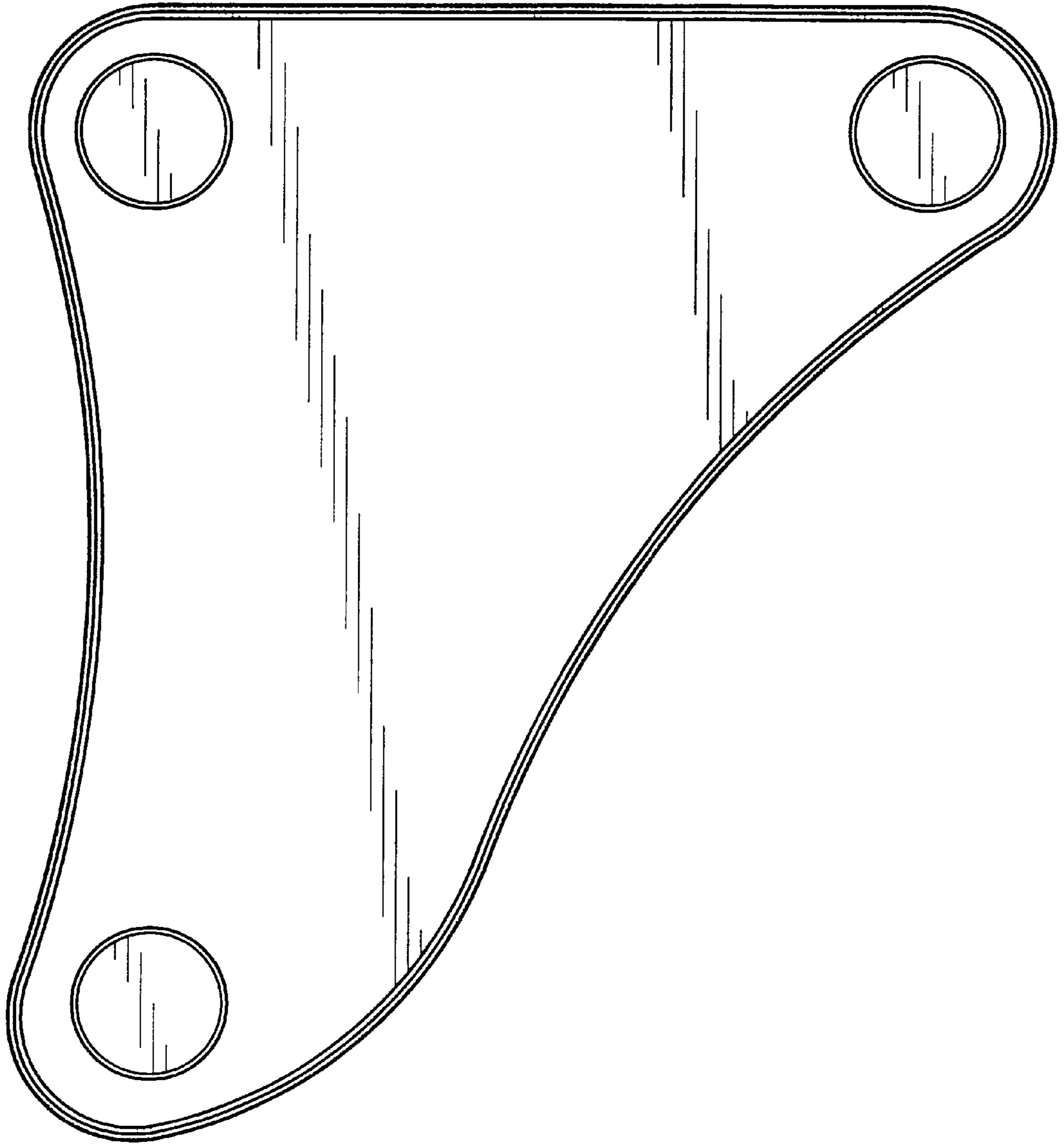




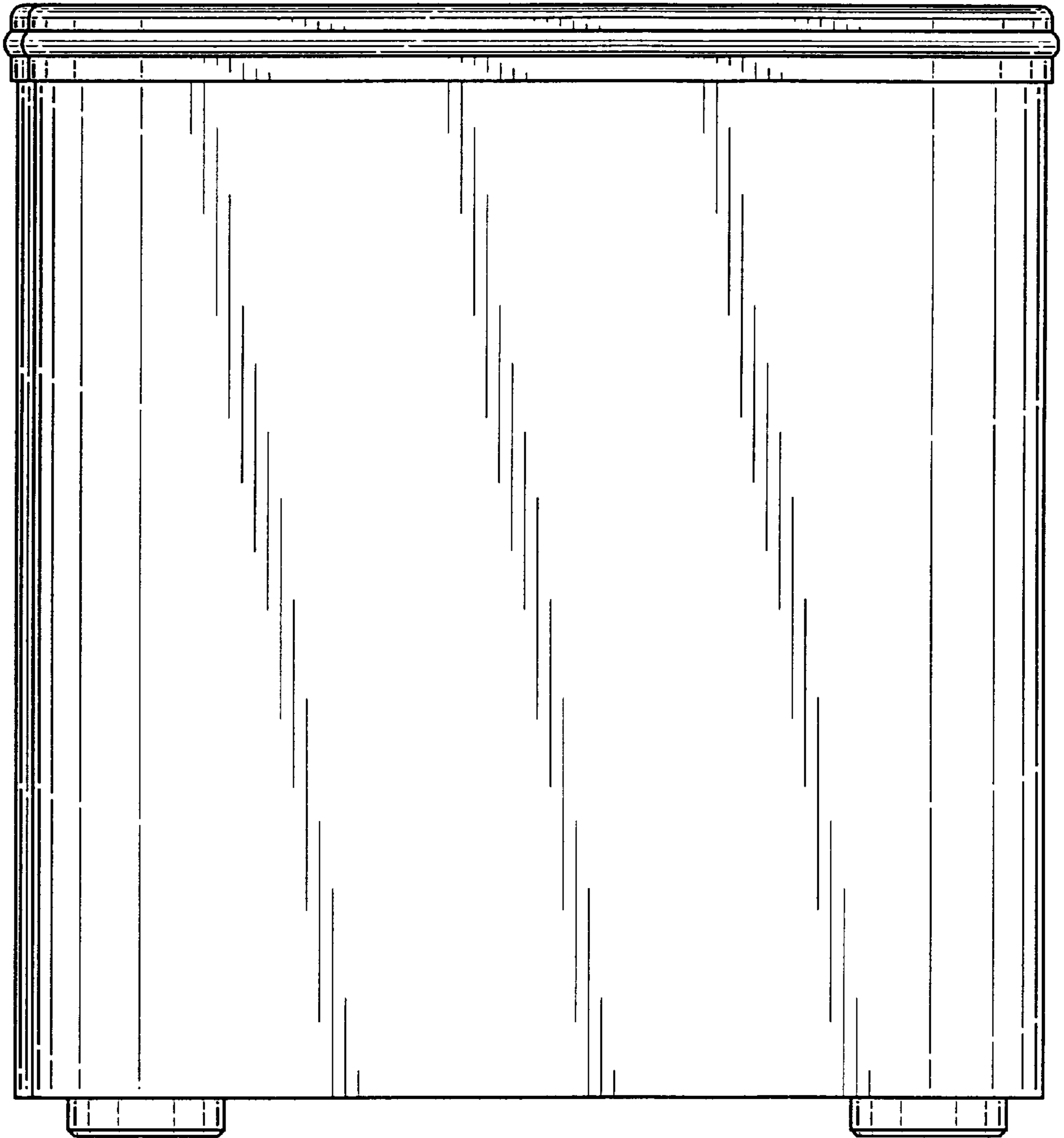
*FIG. 1*



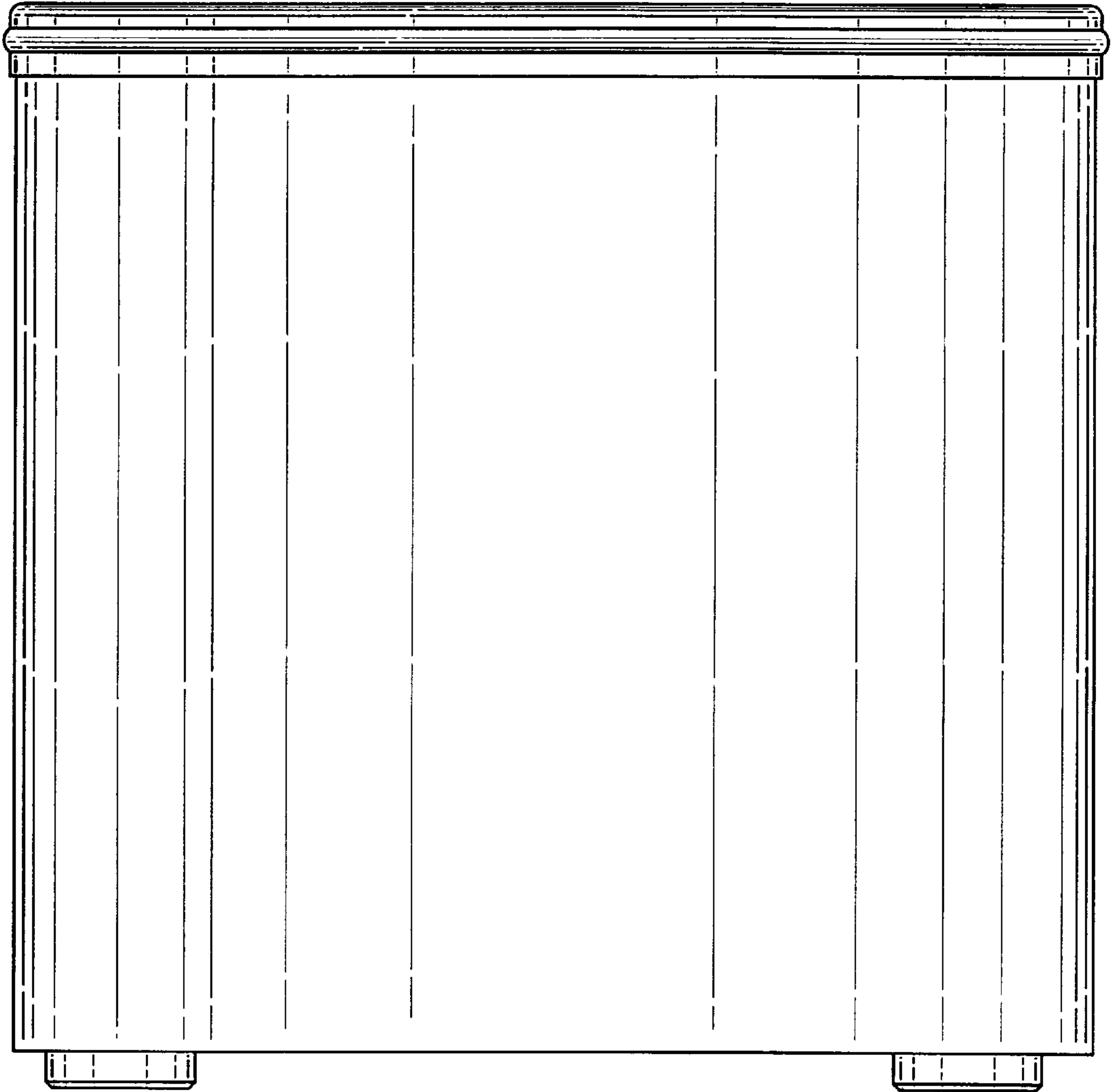
*FIG. 2*



*FIG. 3*

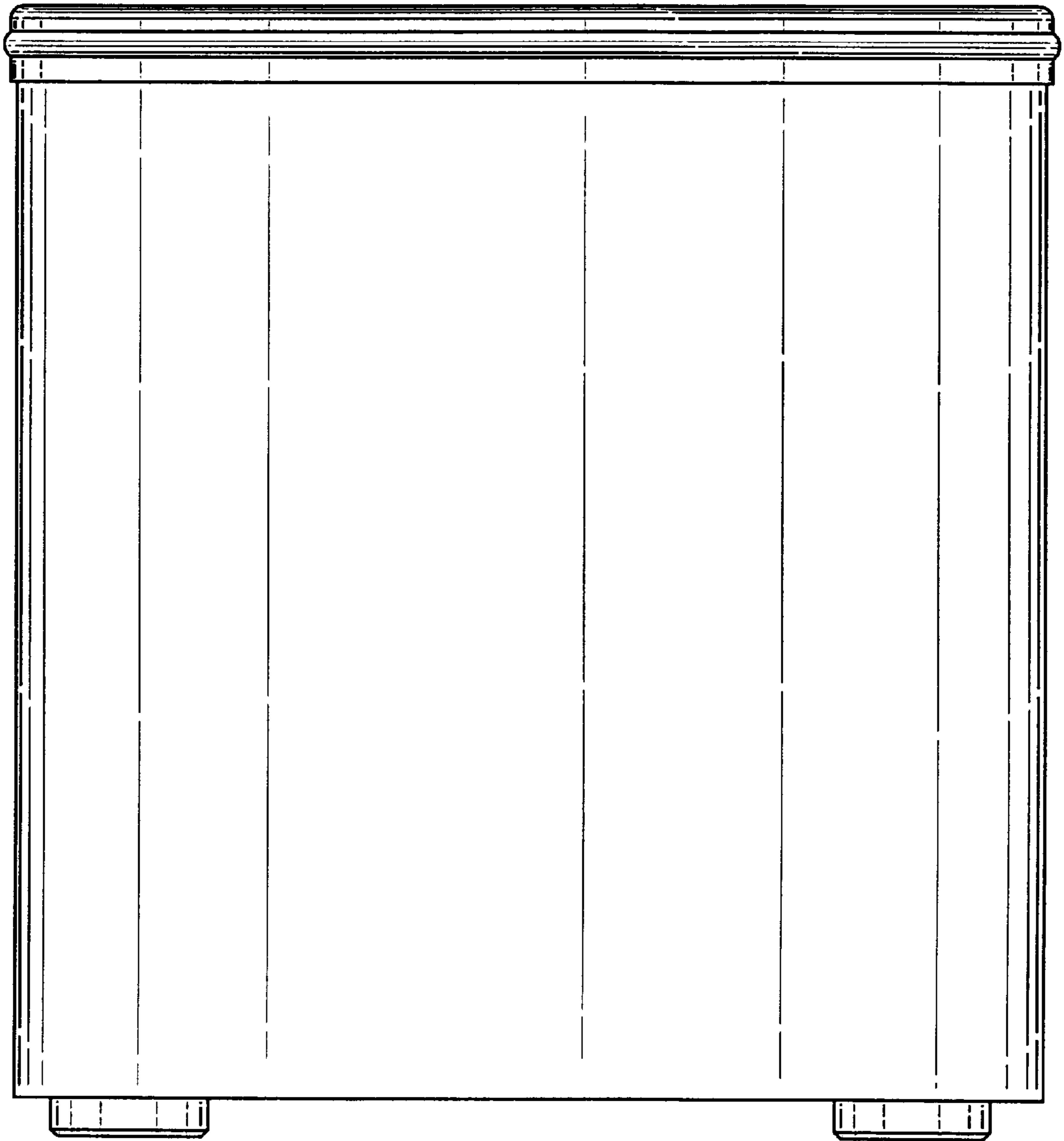


*FIG. 4*

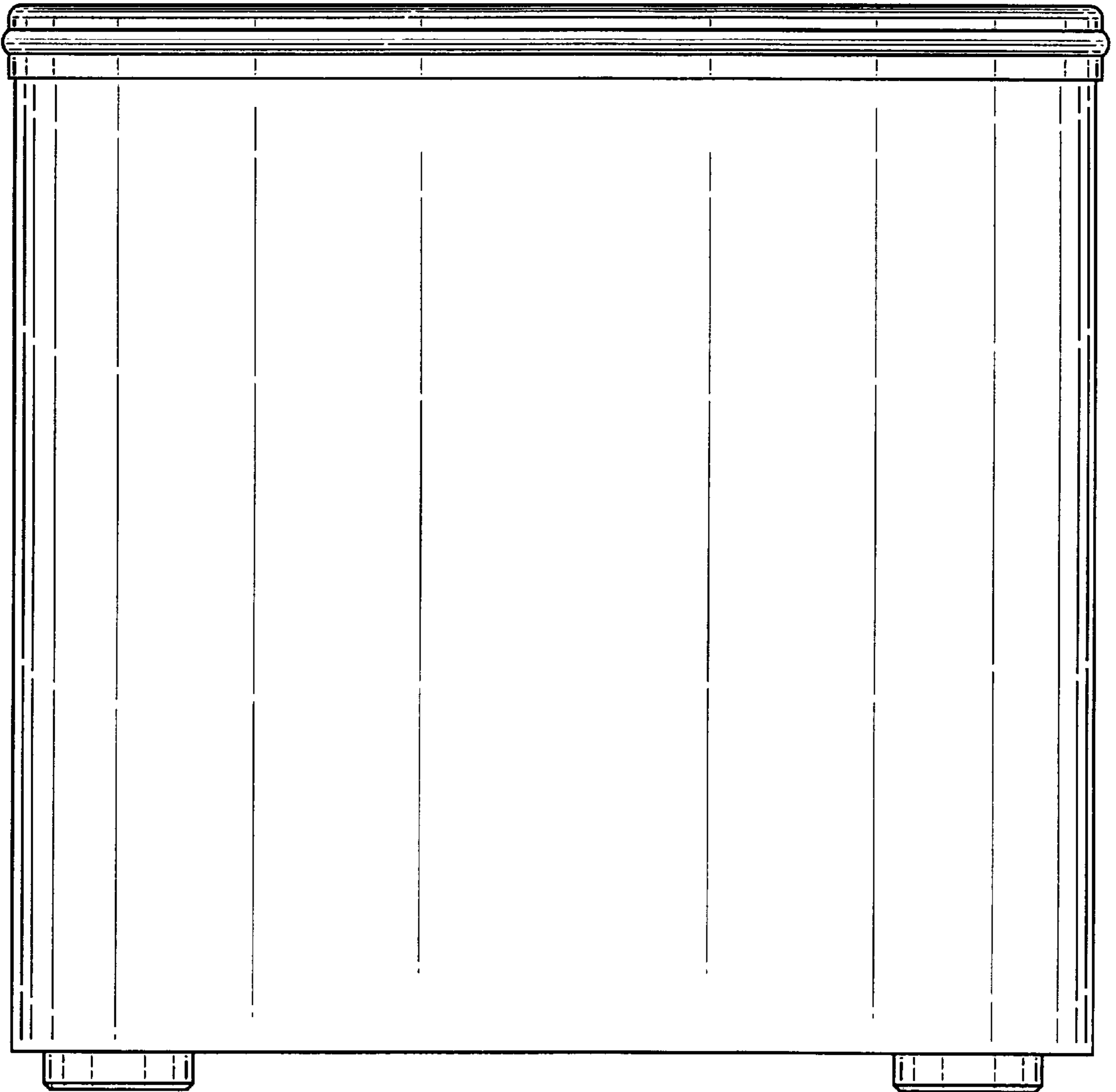


*FIG. 5*





*FIG. 6*



*FIG. 7*