



US00D456180S

(12) **United States Design Patent**
Satoshi

(10) **Patent No.:** **US D456,180 S**

(45) **Date of Patent:** **** Apr. 30, 2002**

(54) **COLLAPSIBLE TABLE**

(76) **Inventor:** **Izumi Satoshi**, 9/F., CIC Bldg.,
3-13-chome, Ningyo-cho, Nihonbashi,
Chuo-ku, Tokyo (JP)

(**) **Term:** **14 Years**

(21) **Appl. No.:** **29/138,956**

(22) **Filed:** **Mar. 22, 2001**

(51) **LOC (7) Cl.** **06-03**

(52) **U.S. Cl.** **D6/480; D6/429; D6/487**

(58) **Field of Search** D6/480-489, 495,
D6/429-431; 108/153.1, 155, 156, 157.1,
125, 126, 127, 128, 169, 36, 130, 132,
131; 5/620

(56) **References Cited**

U.S. PATENT DOCUMENTS

1,267,444 A * 12/1918 Rudy 108/36

1,911,750 A * 5/1933 Collignon 108/36
4,927,128 A * 5/1990 O'Brian 5/611
D437,145 S * 2/2001 Leng D6/429
6,192,809 B1 * 2/2001 Riach et al. 108/115

* cited by examiner

Primary Examiner—Janice E. Seeger

(74) *Attorney, Agent, or Firm*—Price and Gess

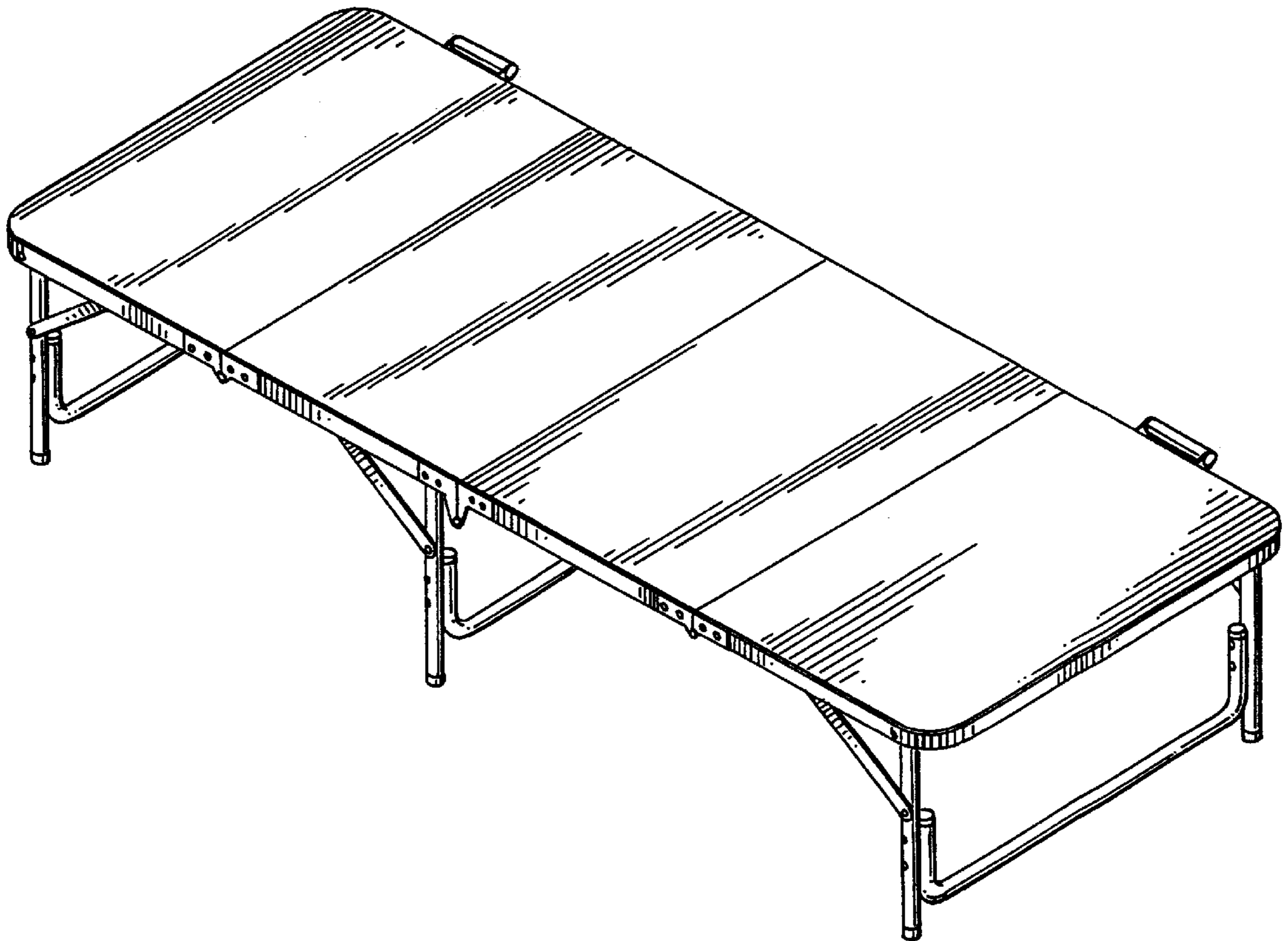
(57) **CLAIM**

The ornamental design for a collapsible table, as shown and described.

DESCRIPTION

FIG. 1 is a perspective view of the collapsible table;
FIG. 2 is a right side elevational view, left side being the
mirror image of the collapsible table;
FIG. 3 is a front elevational view of the collapsible table;
FIG. 4 is a rear elevational view of the collapsible table; and,
FIG. 5 is a bottom plan view of the collapsible table.

1 Claim, 2 Drawing Sheets



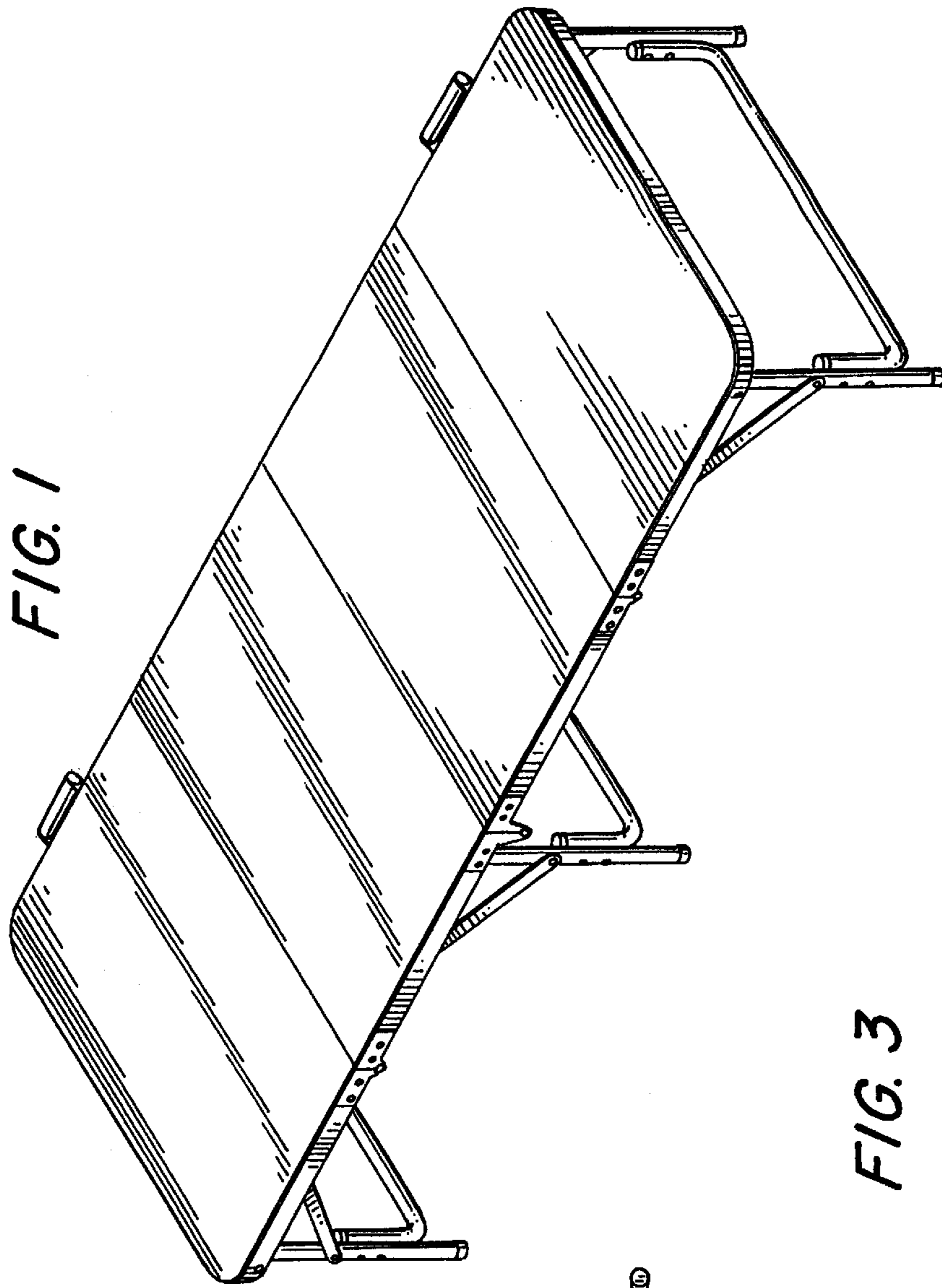


FIG. 1

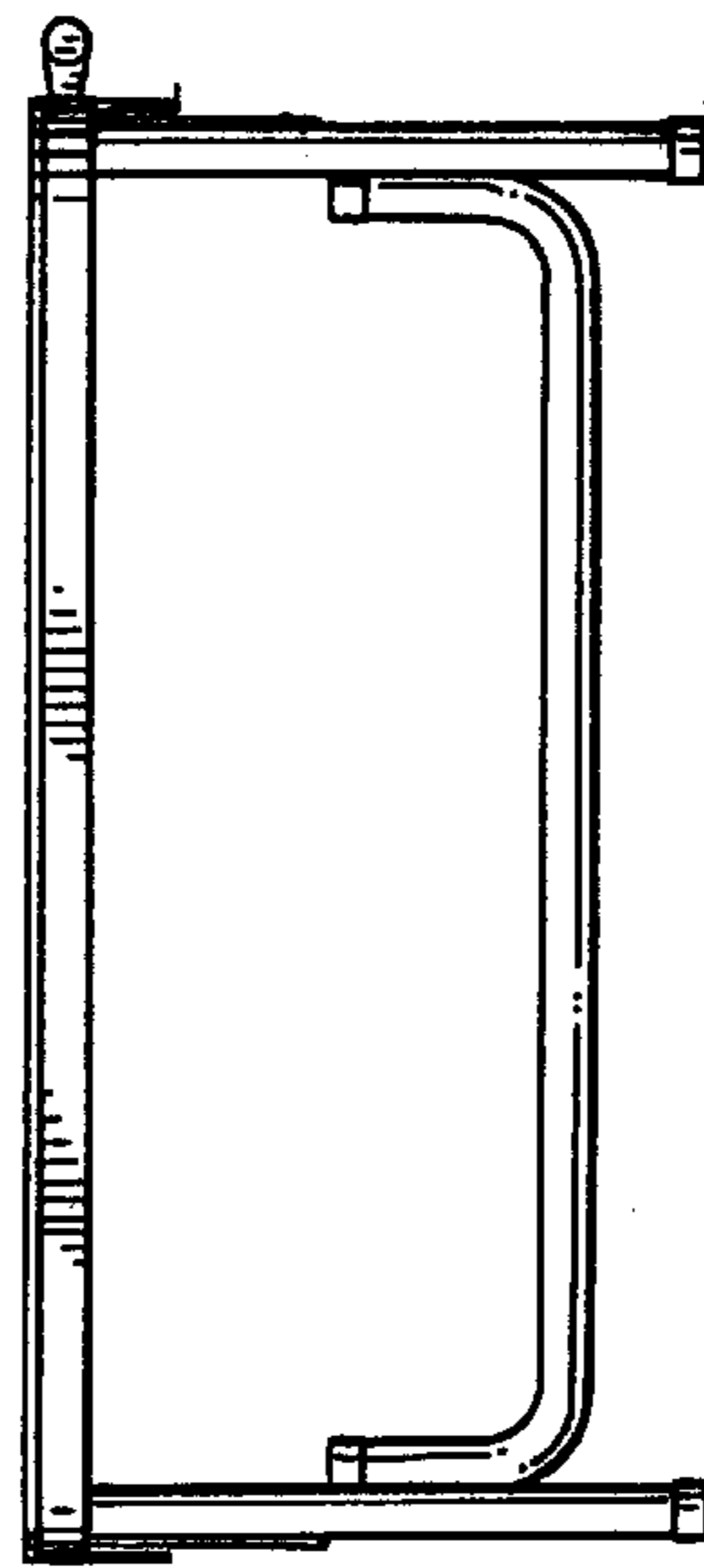


FIG. 2

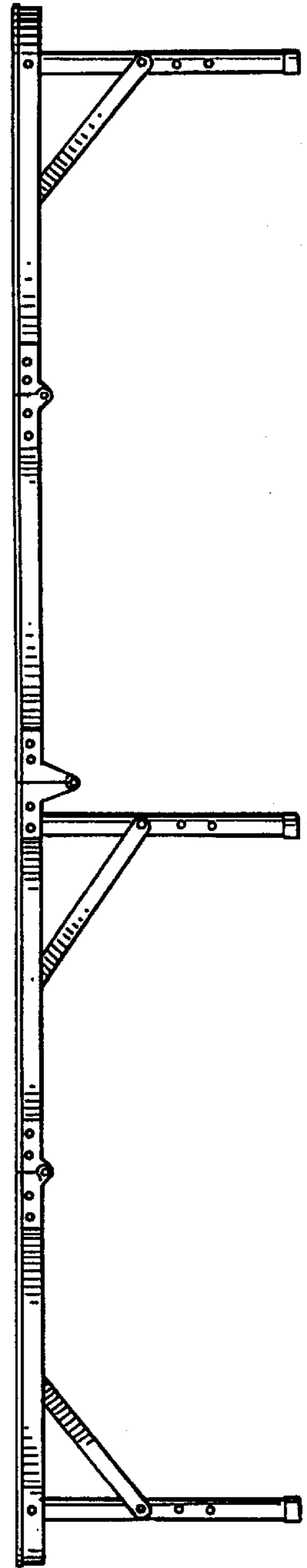


FIG. 3

FIG. 4

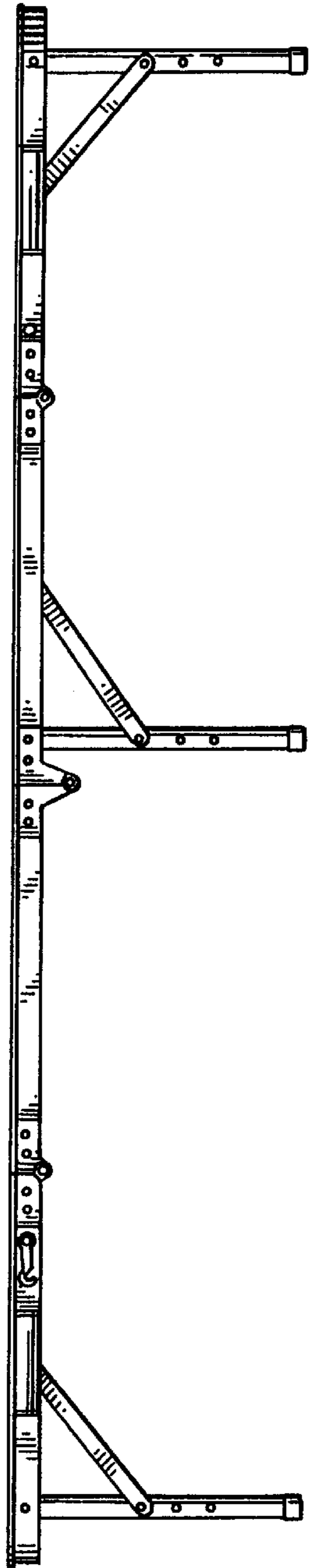


FIG. 5

