



US00D456177S

(12) **United States Design Patent**
Walker

(10) **Patent No.:** **US D456,177 S**

(45) **Date of Patent:** **** Apr. 30, 2002**

(54) **MAGAZINE RACK**

D314,098 S * 1/1991 Kee D6/462
D436,463 S * 1/2001 Goodman et al. D6/462

(75) Inventor: **David Walker**, Chester, PA (US)

* cited by examiner

(73) Assignee: **Zenith Products Corp.**, New Castle,
DE (US)

Primary Examiner—Cathron C. Brooks

(**) Term: **14 Years**

(74) *Attorney, Agent, or Firm*—Edgar A. Zarins; Lloyd D.
Doigan

(21) Appl. No.: **29/140,517**

(57) **CLAIM**

(22) Filed: **Apr. 19, 2001**

The ornamental design for a magazine rack, as shown and
described.

(51) **LOC (7) Cl.** **06-04**

DESCRIPTION

(52) **U.S. Cl.** **D6/462**

(58) **Field of Search** D6/343, 397, 409–415,
D6/458, 462–468, 477, 479, 475, 455, 456,
546; 108/50.11, 59, 91, 92, 93; 211/13.1,
37, 38, 85.3, 85.4, 30, 34, 42, 49.1, 90.03,
106, 119, 134, 186–189, 181.1, 200, 204–208;
248/441.1, 465.1, 175, 451, 124.1, 448

FIG. 1 is a top perspective view of a magazine rack showing
my new design;

FIG. 2 is a front elevational view thereof;

FIG. 3 is a right end view thereof;

FIG. 4 is a top plan view thereof;

FIG. 5 is a rear elevational view thereof;

FIG. 6 is a left end view thereof; and,

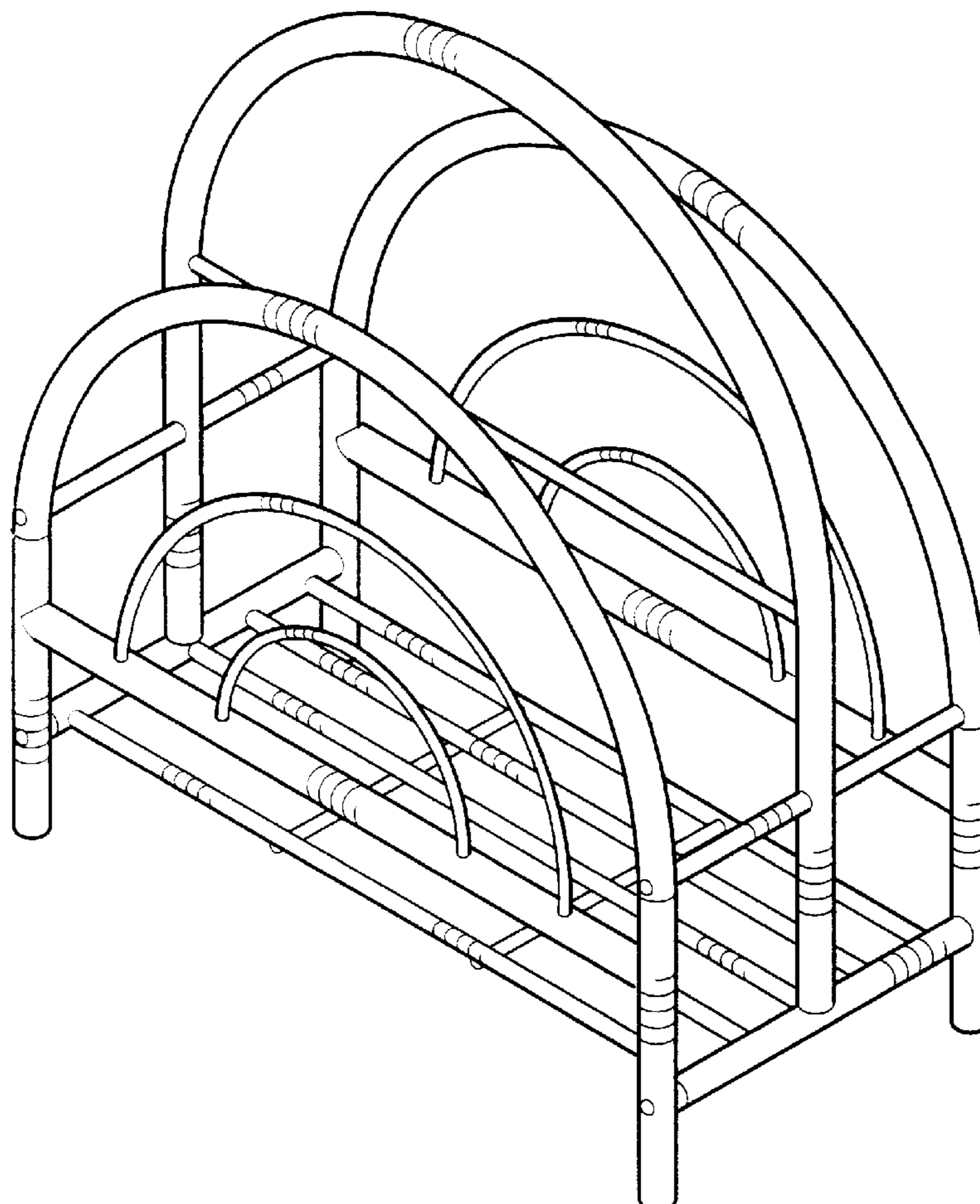
FIG. 7 is a bottom plan view thereof.

(56) **References Cited**

U.S. PATENT DOCUMENTS

D313,905 S * 1/1991 Kee D6/462

1 Claim, 3 Drawing Sheets



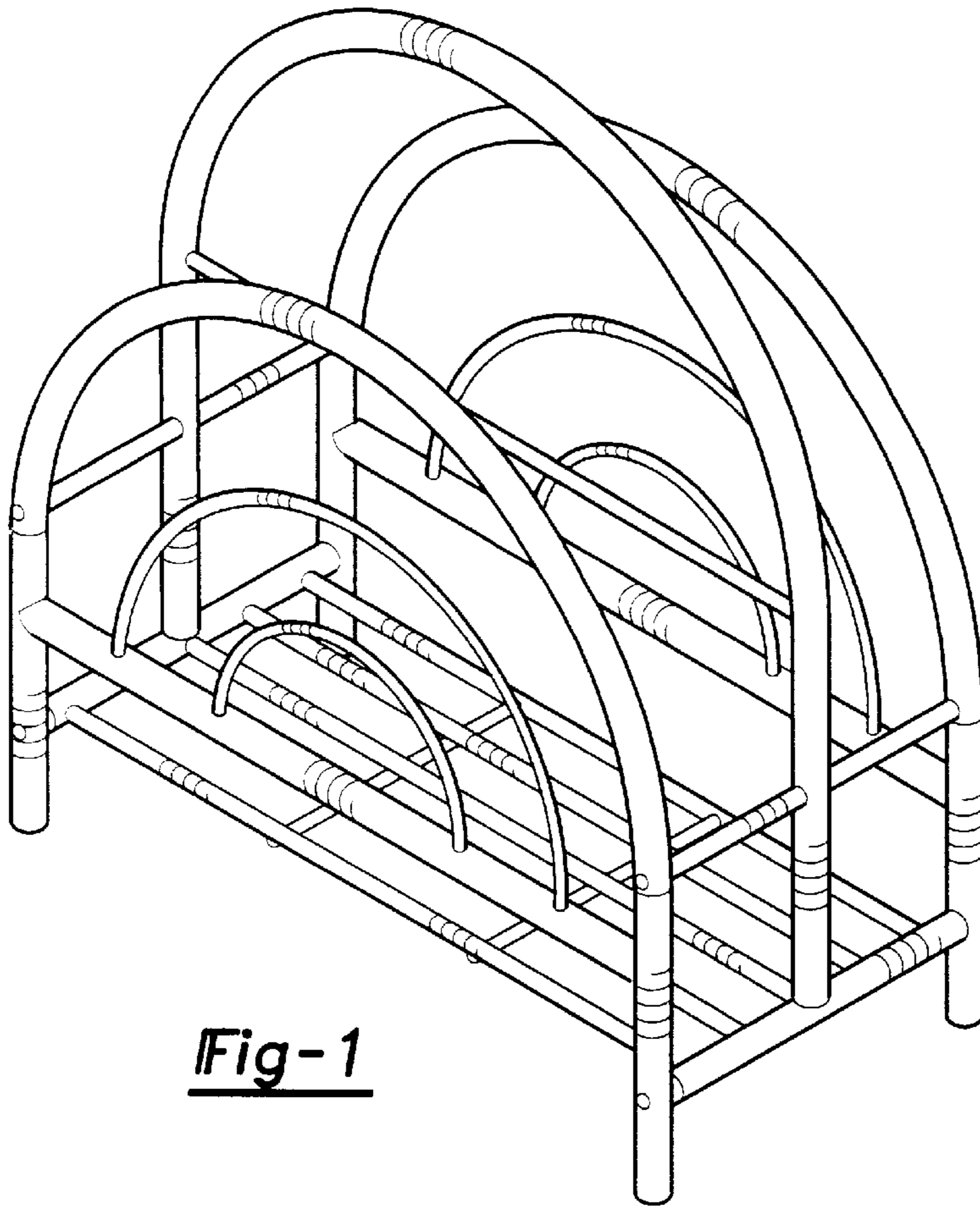


Fig-1

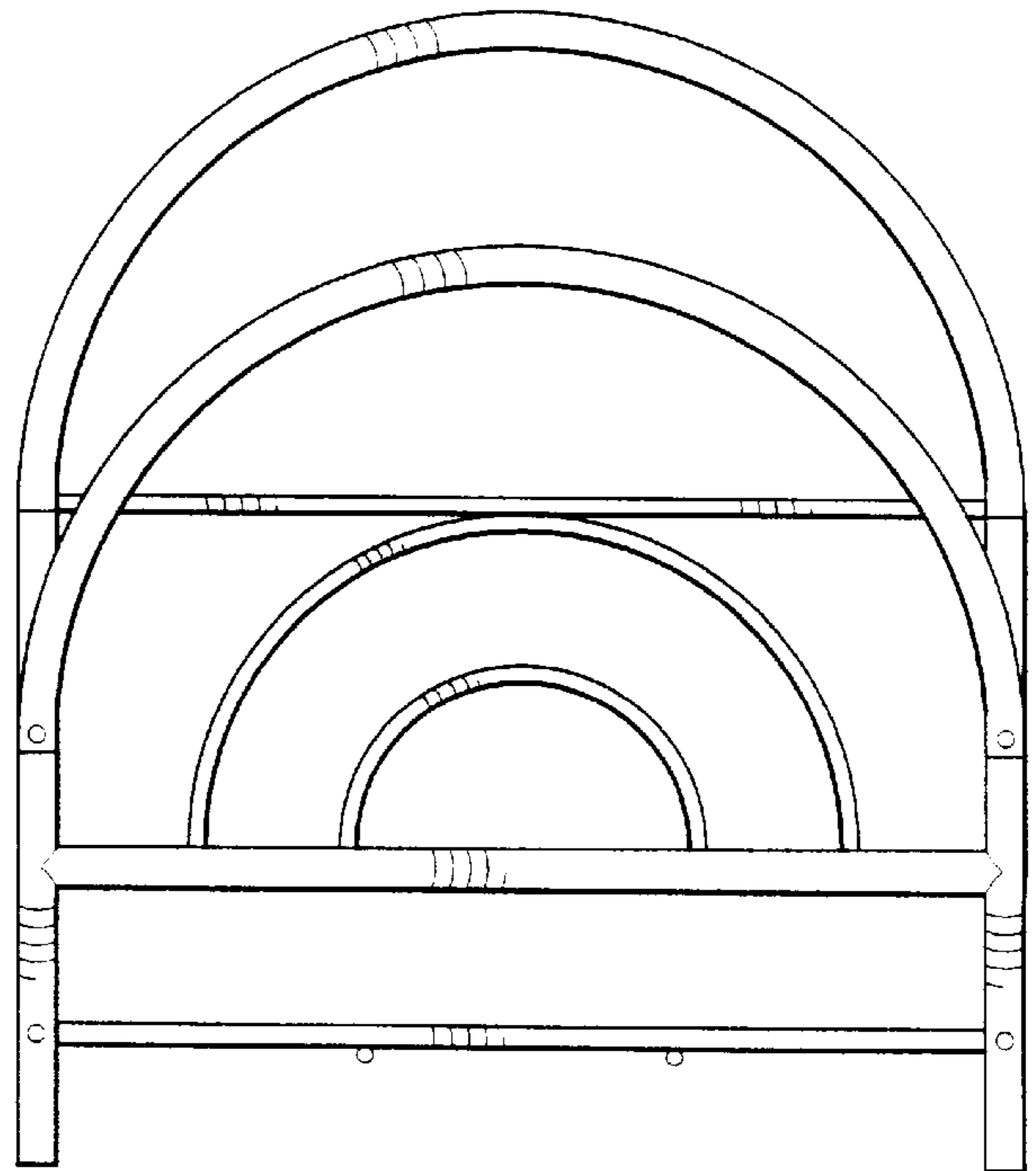


Fig-2

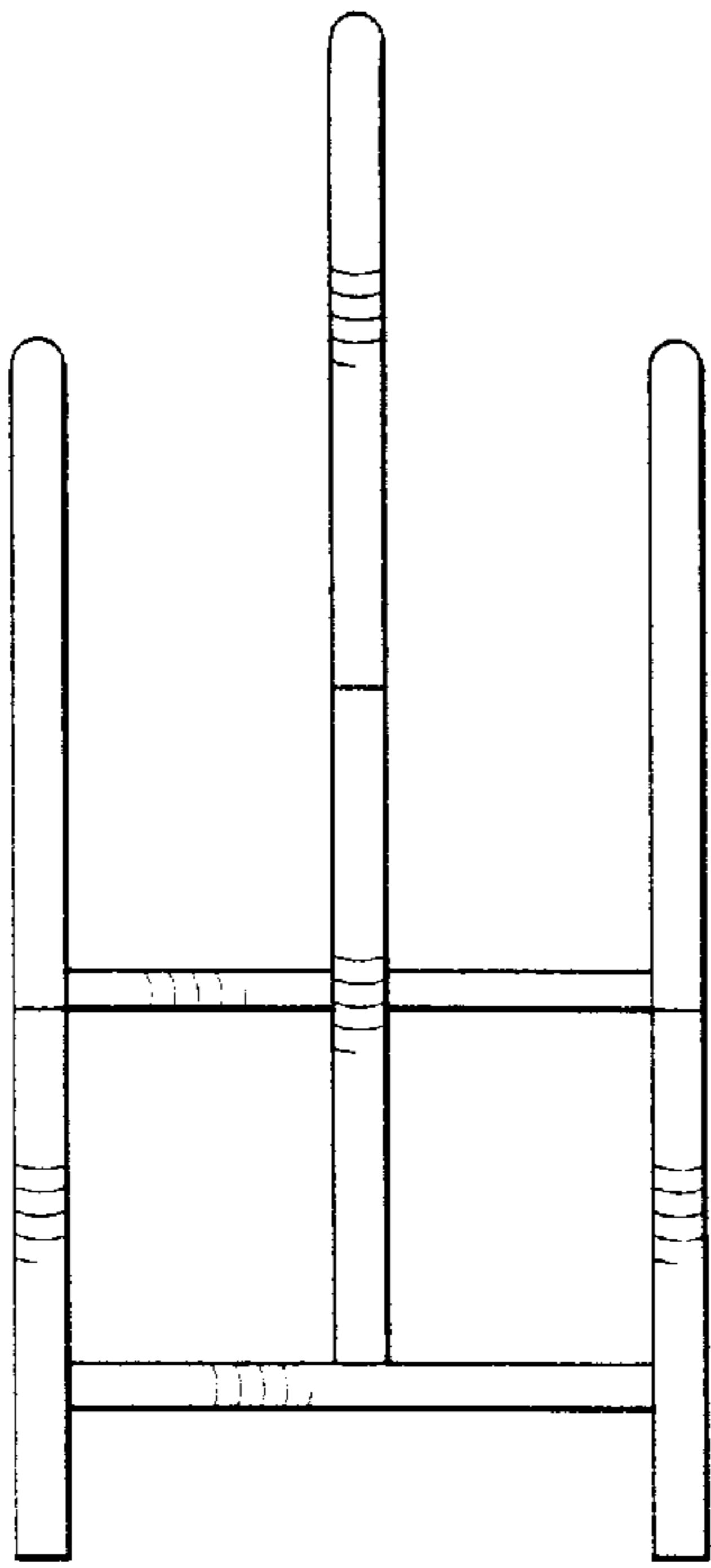


Fig-3

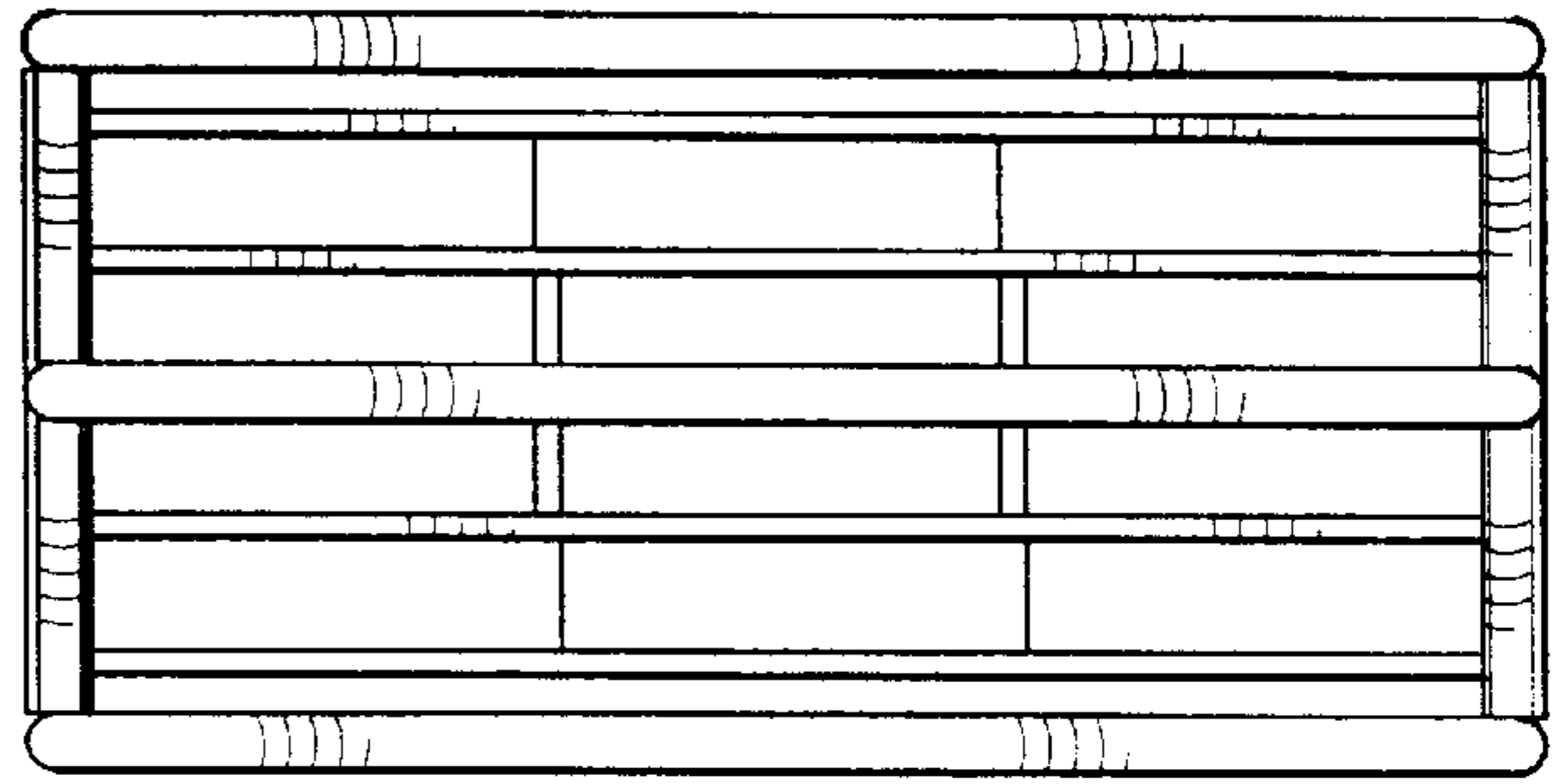


Fig-4

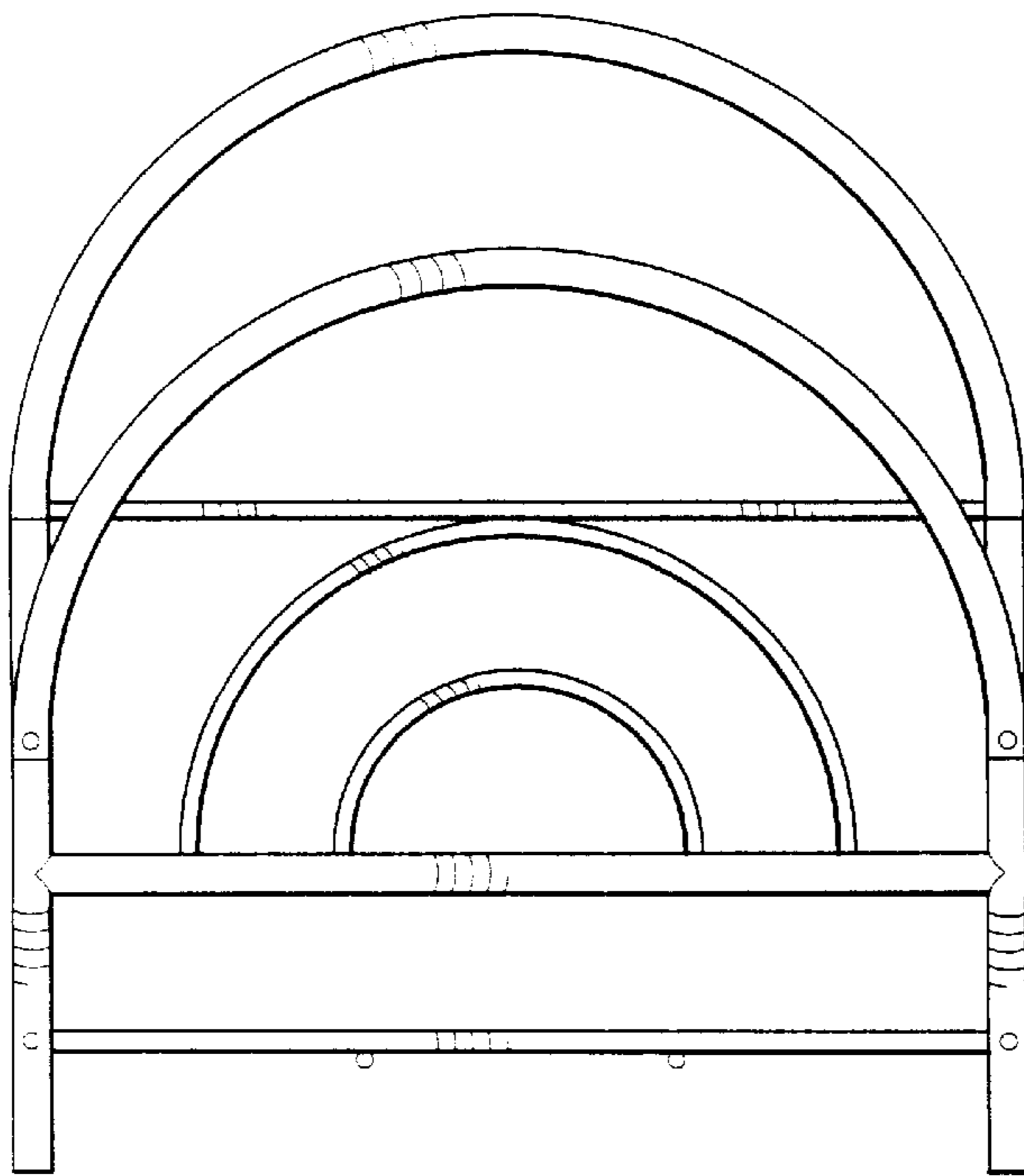


Fig-5

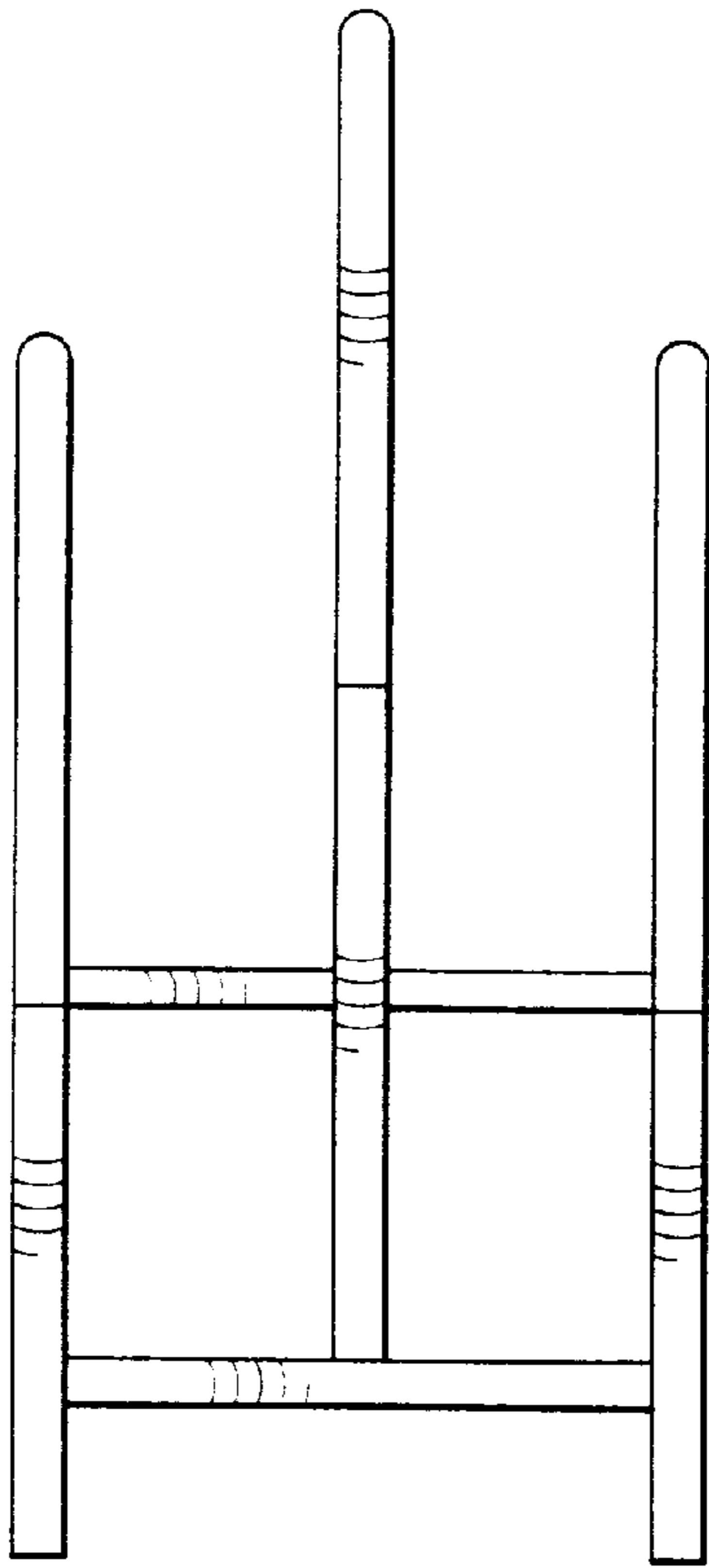


Fig-6

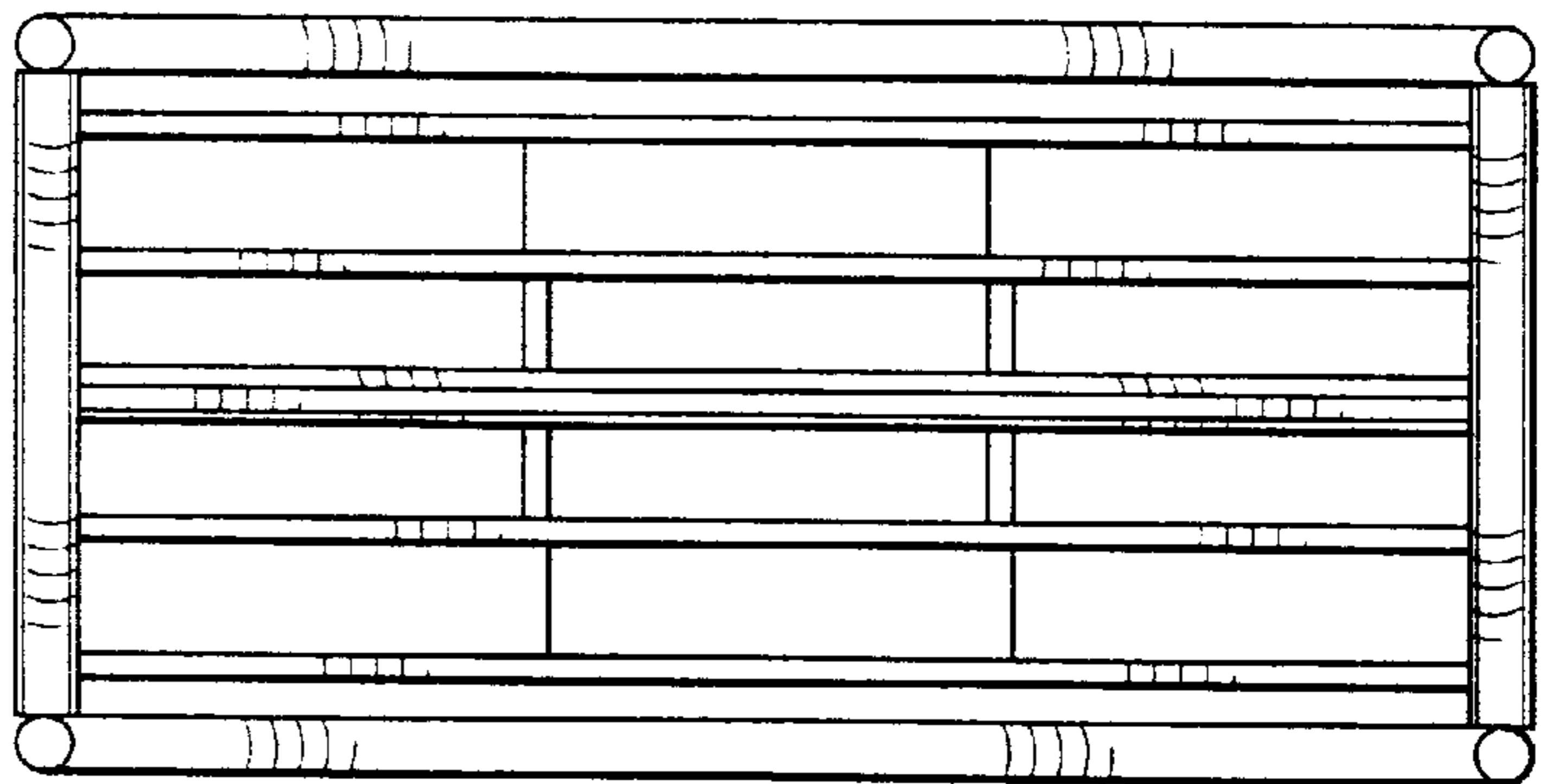


Fig-7