



US00D456171S

(12) **United States Design Patent**
Coonan et al.

(10) **Patent No.:** **US D456,171 S**
(45) **Date of Patent:** **** Apr. 30, 2002**

(54) **ADJUSTABLE COMPUTER WORKSTATION**

(75) Inventors: **Gary Coonan**, Rockvale; **Gary L. Mayes**, Murfreesboro; **Donald Ray Reckelhoff**, Antioch, all of TN (US)

(73) Assignee: **Stinger Industries, LLC**, Murfreesboro, TN (US)

(**) Term: **14 Years**

(21) Appl. No.: **29/110,239**

(22) Filed: **Sep. 1, 1999**

(51) **LOC (7) Cl.** **06-03**

(52) **U.S. Cl.** **D6/429; D6/419; D6/486**

(58) **Field of Search** D6/422-428, 429, D6/419, 420, 495, 498; 312/194-196, 204, 208.1; 108/50.01, 50.02, 150, 65, 77, 67, 33, 34, 35, 38, 40, 25

(56) **References Cited**

U.S. PATENT DOCUMENTS

D51,489 S	*	11/1917	Von Carlsberg	D6/419
D193,858 S	*	10/1962	Chapman et al.	D6/429
4,073,556 A		2/1978	Wilson, Jr.		
D267,837 S	*	2/1983	Migani et al.	D6/420
4,640,199 A		2/1987	Zigman		
5,072,999 A		12/1991	Trotta et al.		
5,271,669 A		12/1993	Pearlson		

5,364,177 A		11/1994	Ugalde		
D360,545 S		7/1995	Lechman		
5,450,800 A		9/1995	Leonard		
5,480,224 A		1/1996	Ugalde		
D367,271 S		2/1996	Roberts		
5,489,938 A		2/1996	Maruyama et al.		
D371,255 S		7/1996	Richard		
5,771,613 A	*	6/1998	Geils et al.	38/102.21
5,806,943 A	*	9/1998	Dell et al.	312/223.3
5,913,582 A		6/1999	Coonan		

* cited by examiner

Primary Examiner—Janice E. Seeger

(74) *Attorney, Agent, or Firm*—Liell & McNeil

(57) **CLAIM**

The ornamental design for an adjustable computer workstation, as shown and described.

DESCRIPTION

FIG. 1 is a perspective view of an adjustable computer workstation, showing our new design; FIG. 2 is a side elevational view in fully raised position; and, FIG. 3 is an elevational view showing the side not shown in FIG. 2 in fully lowered position.

The broken lines in FIGS. 1-3 are for environmental purposes only and form no part of the claimed design.

The rear of the article not shown is not part of the claimed design.

1 Claim, 3 Drawing Sheets

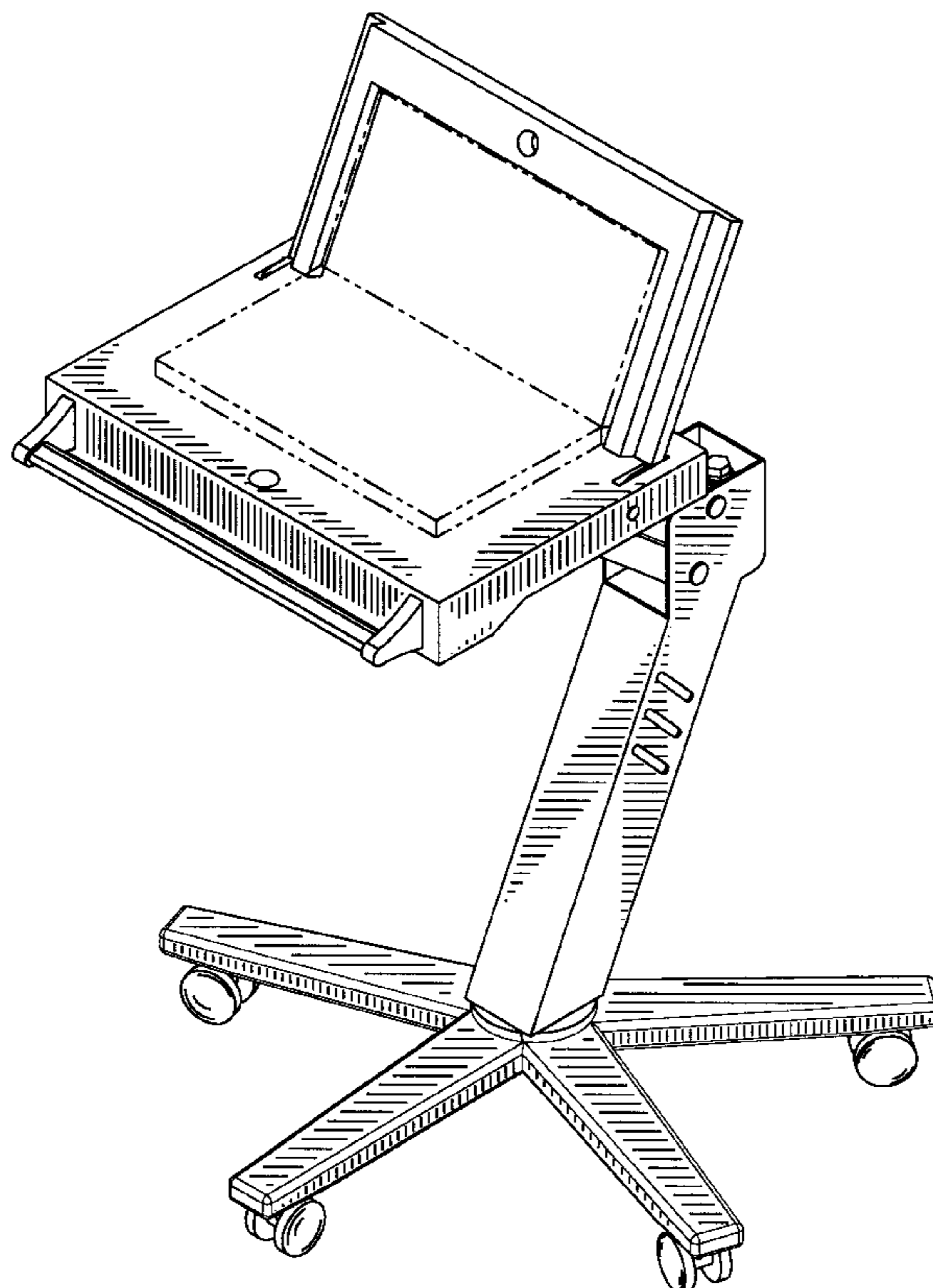


Fig 1

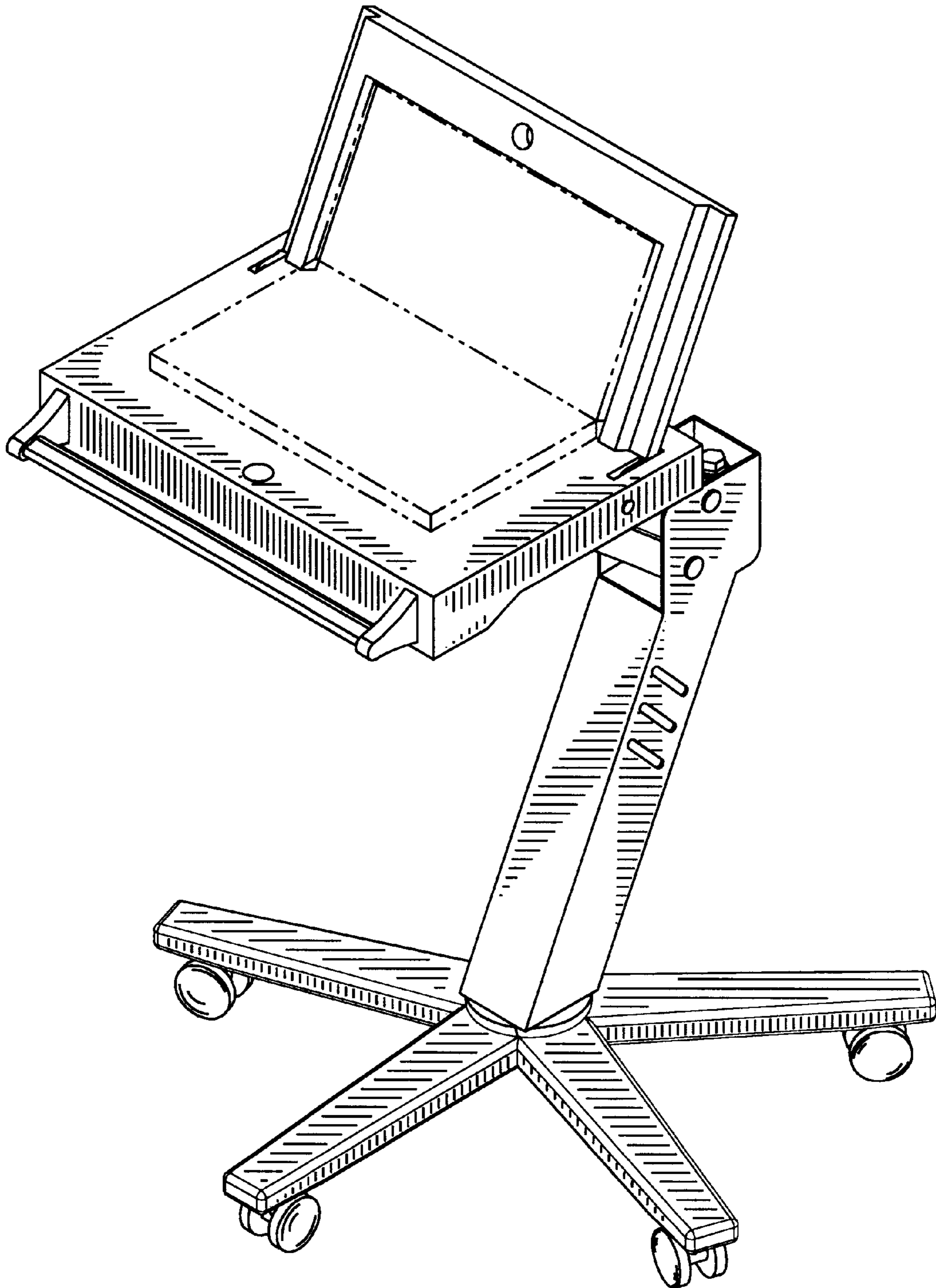


Fig 2

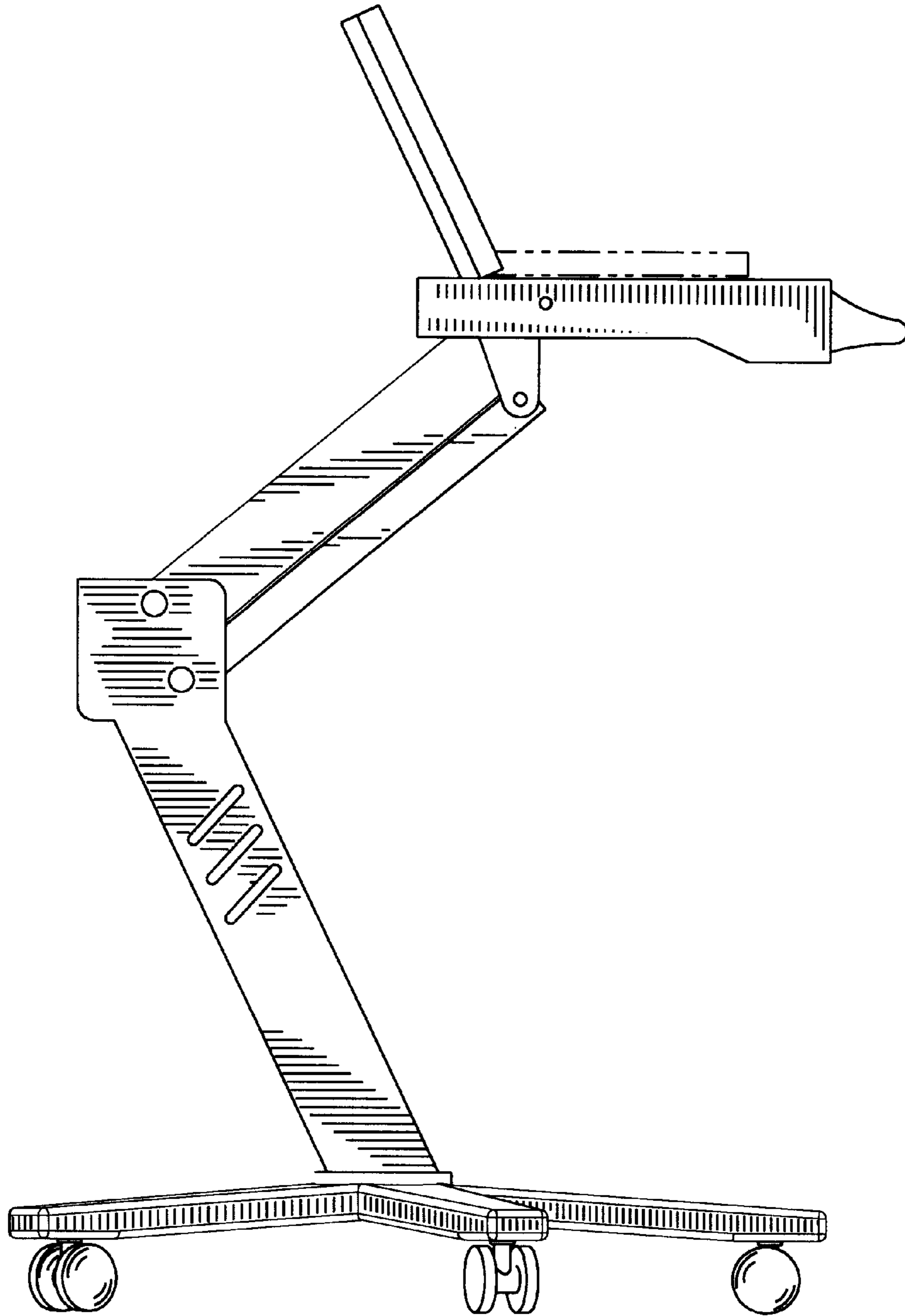


Fig 3

