



US00D456169S

(12) **United States Design Patent**  
**Ko**

(10) **Patent No.:** **US D456,169 S**

(45) **Date of Patent:** **\*\* Apr. 30, 2002**

(54) **COMPUTER DESK**

5,088,420 A \* 2/1992 Russell ..... 108/106

(76) Inventor: **Wen-Shan Ko**, No. 1, Alley 1, Lane  
150, Sec. 1, Kung Yuan Rd., Changhua  
(TW)

\* cited by examiner

(\*\*) Term: **14 Years**

*Primary Examiner*—Janice E. Seeger  
(74) *Attorney, Agent, or Firm*—Browdy and Neimark  
P.L.L.C.

(21) Appl. No.: **29/143,085**

(57) **CLAIM**

(22) Filed: **Jun. 8, 2001**

The ornamental design for a “computer desk”, as shown.

(51) **LOC (7) Cl.** ..... **06-04**

**DESCRIPTION**

(52) **U.S. Cl.** ..... **D6/425**

(58) **Field of Search** ..... D6/422–428, 484,  
D6/465, 474, 477, 479; 312/194–196, 208.1,  
239; 108/50.01, 50.02, 91, 92, 95

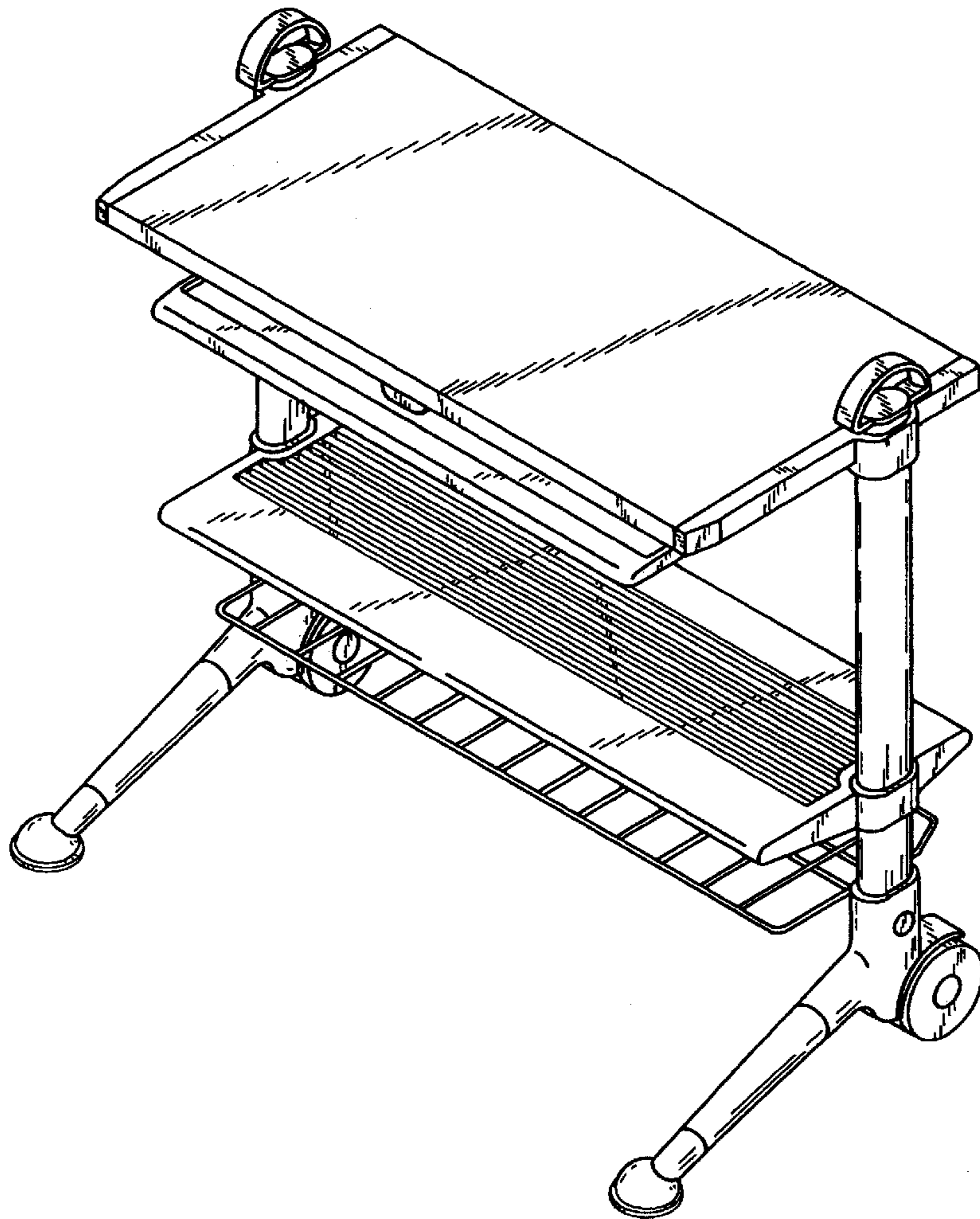
FIG. 1 shows a perspective view of the present design.  
FIG. 2 shows a right side elevational view of the present  
design.  
FIG. 3 shows a top plan view of the present design.  
FIG. 4 shows a front elevational view of the present design.  
FIG. 5 shows a bottom plan view of the present design.  
FIG. 6 shows a left side elevational view of the present  
design; and,  
FIG. 7 shows a rear elevational view of the present design.

(56) **References Cited**

**U.S. PATENT DOCUMENTS**

- D304,112 S \* 10/1989 Bettess ..... D34/21
- D308,922 S \* 7/1990 Ng et al. .... D18/59
- D323,436 S \* 1/1992 Harrison ..... D6/429

**1 Claim, 4 Drawing Sheets**



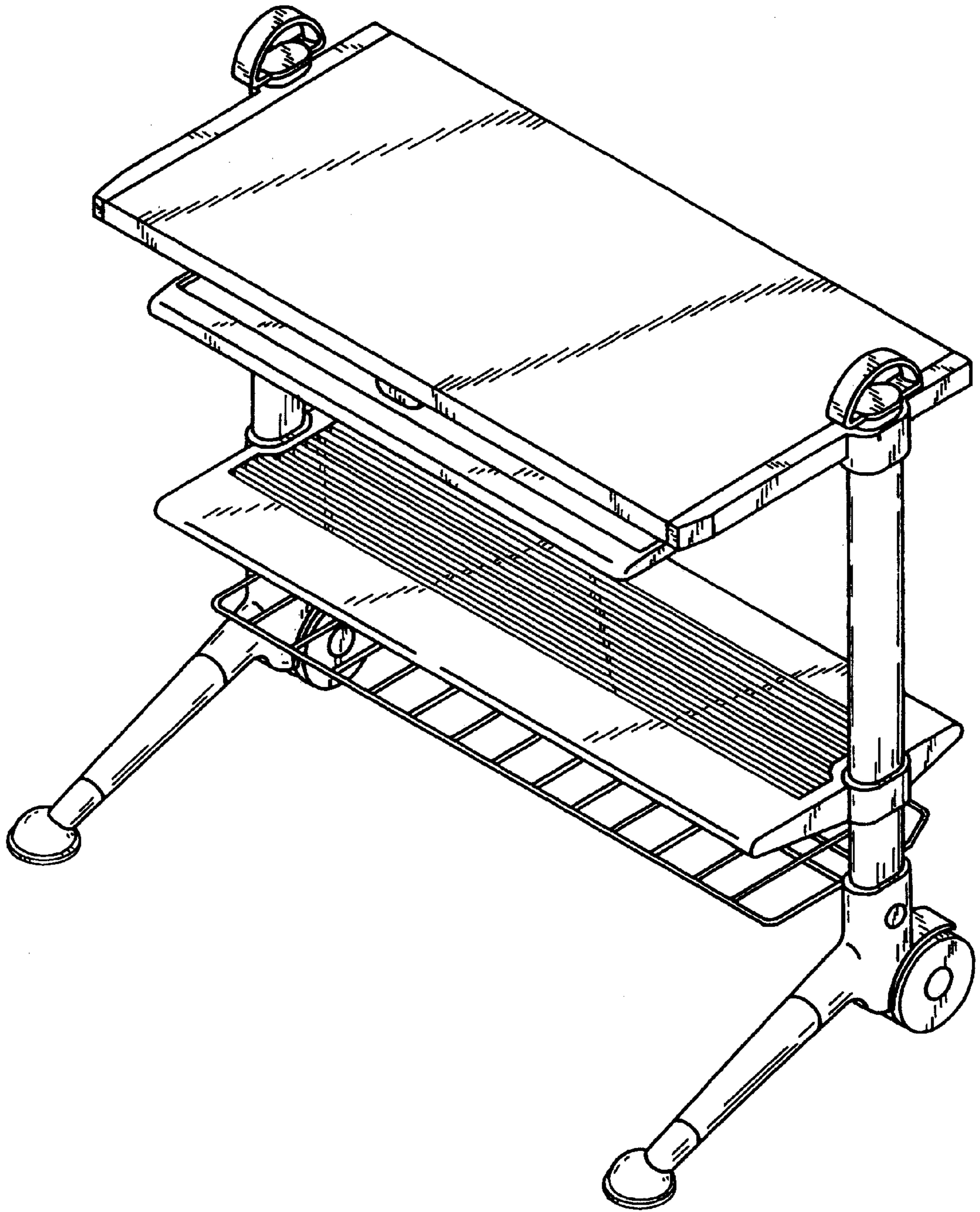


FIG. 1

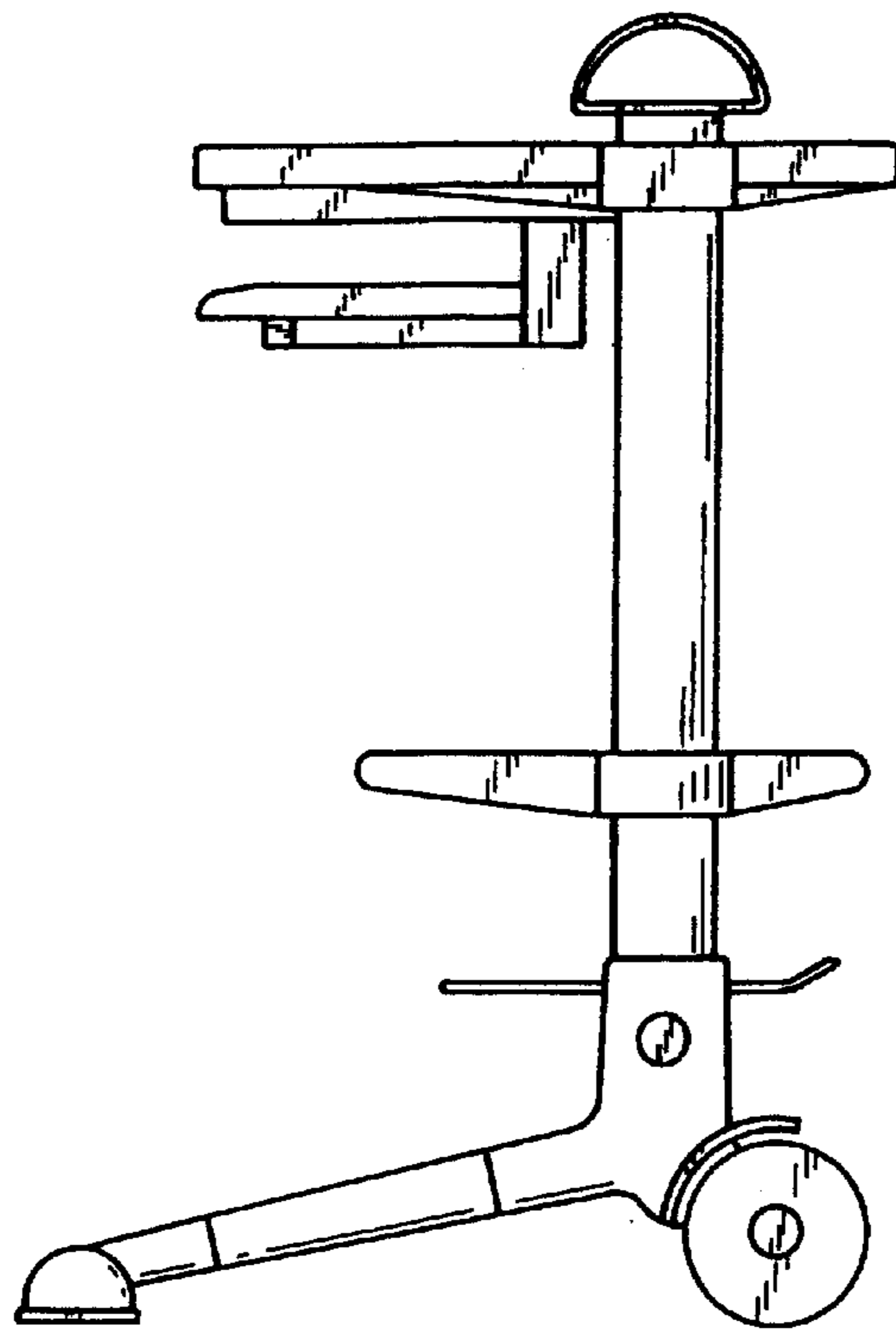


FIG. 2

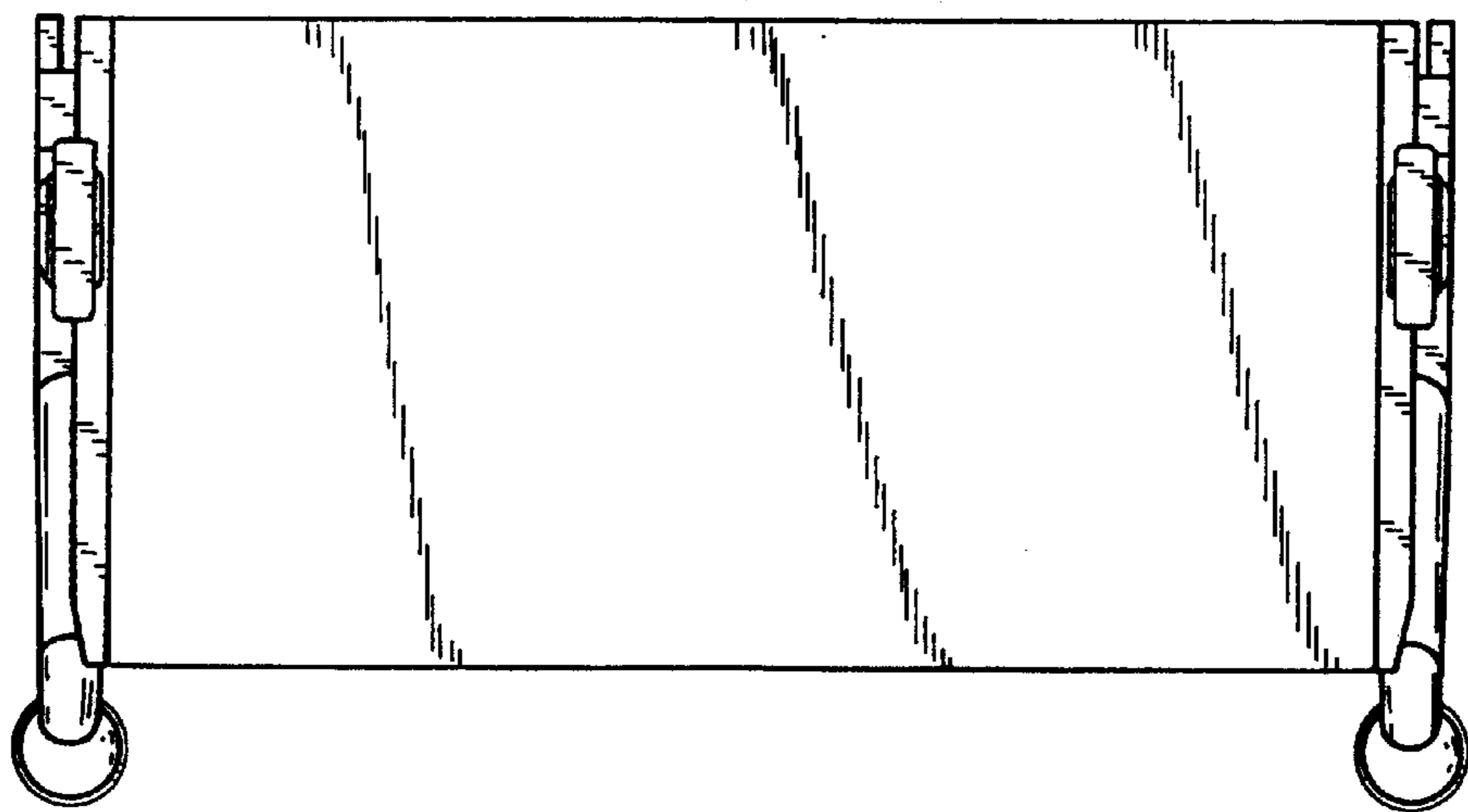


FIG. 3

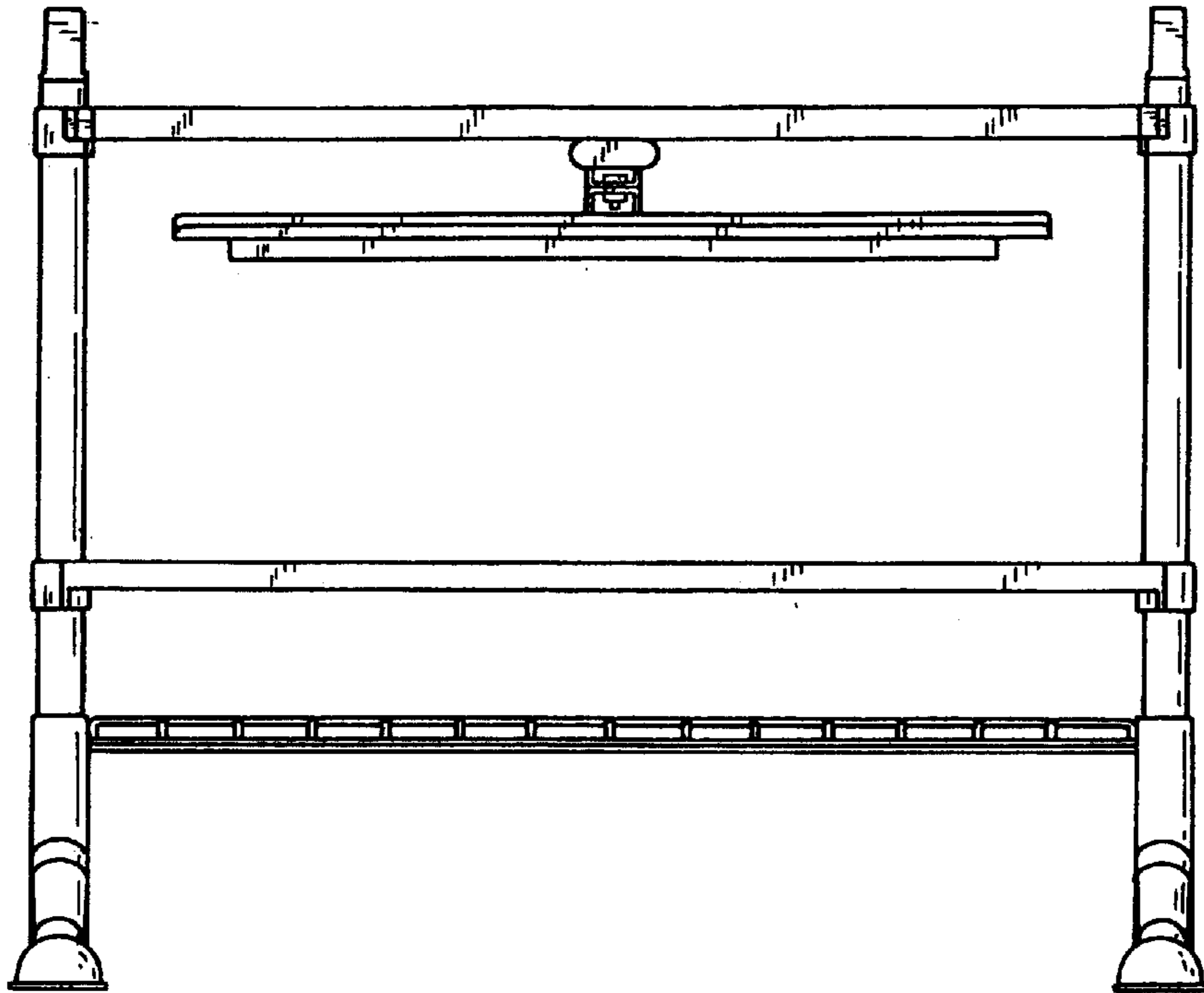


FIG. 4

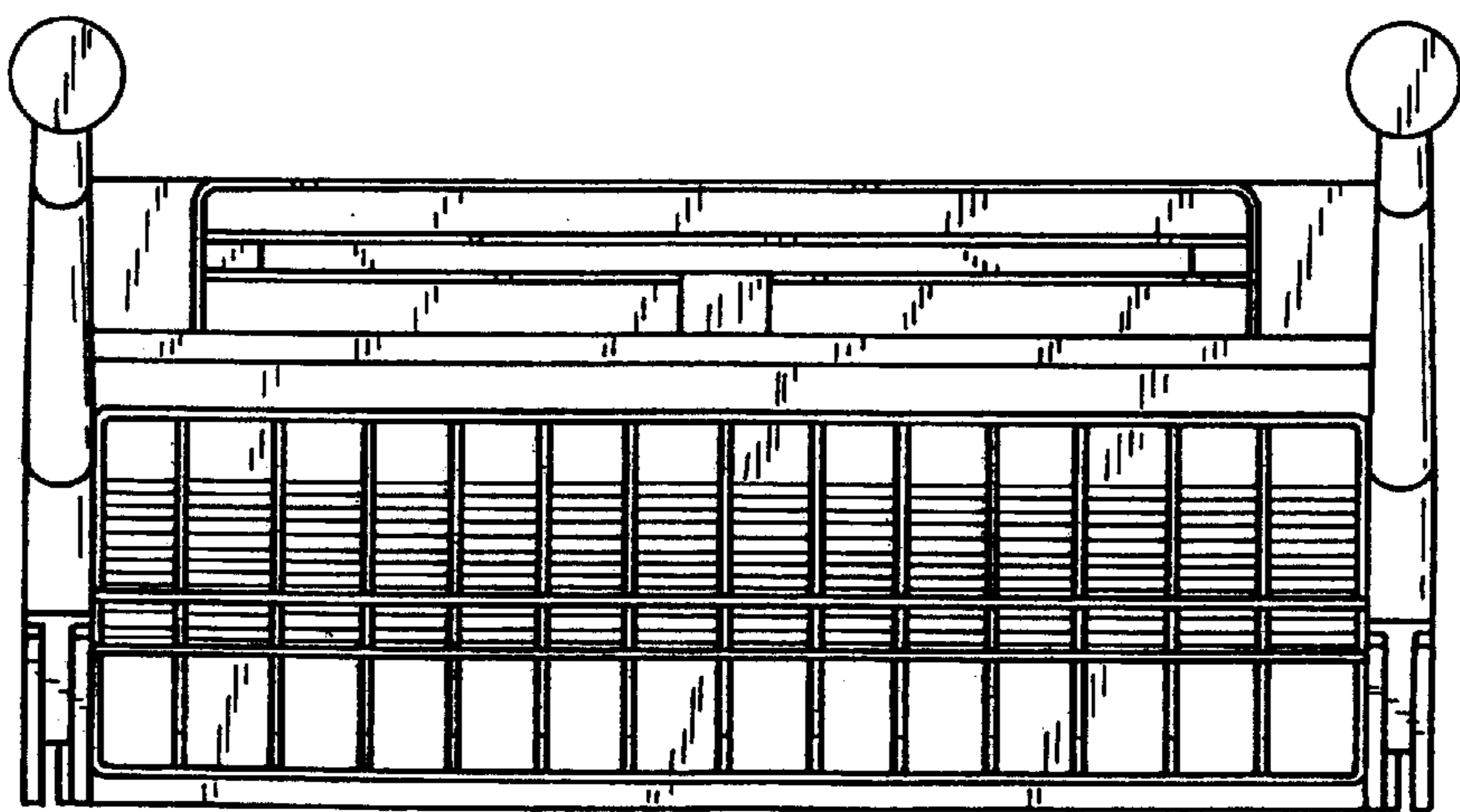


FIG. 5

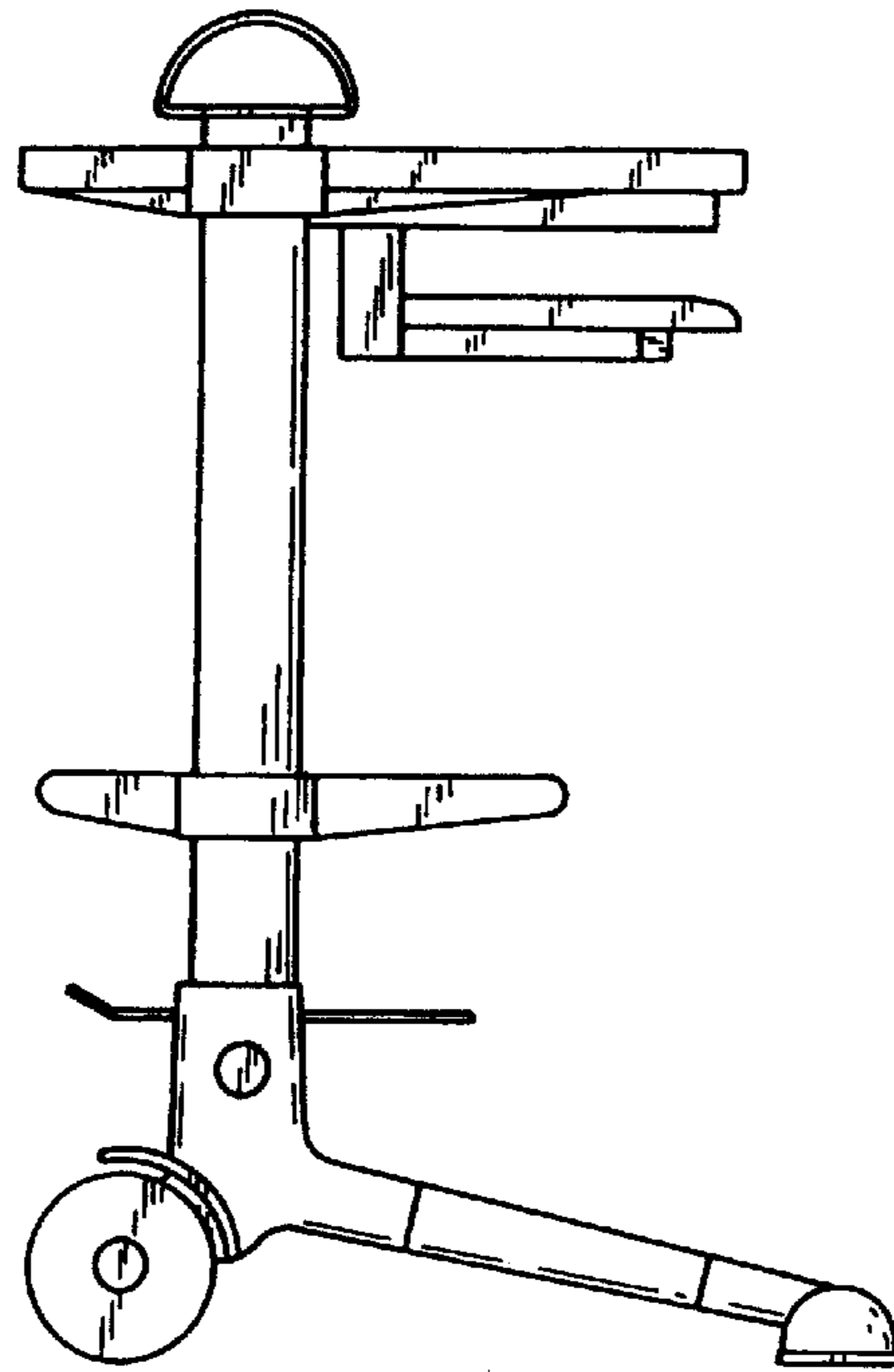


FIG. 6

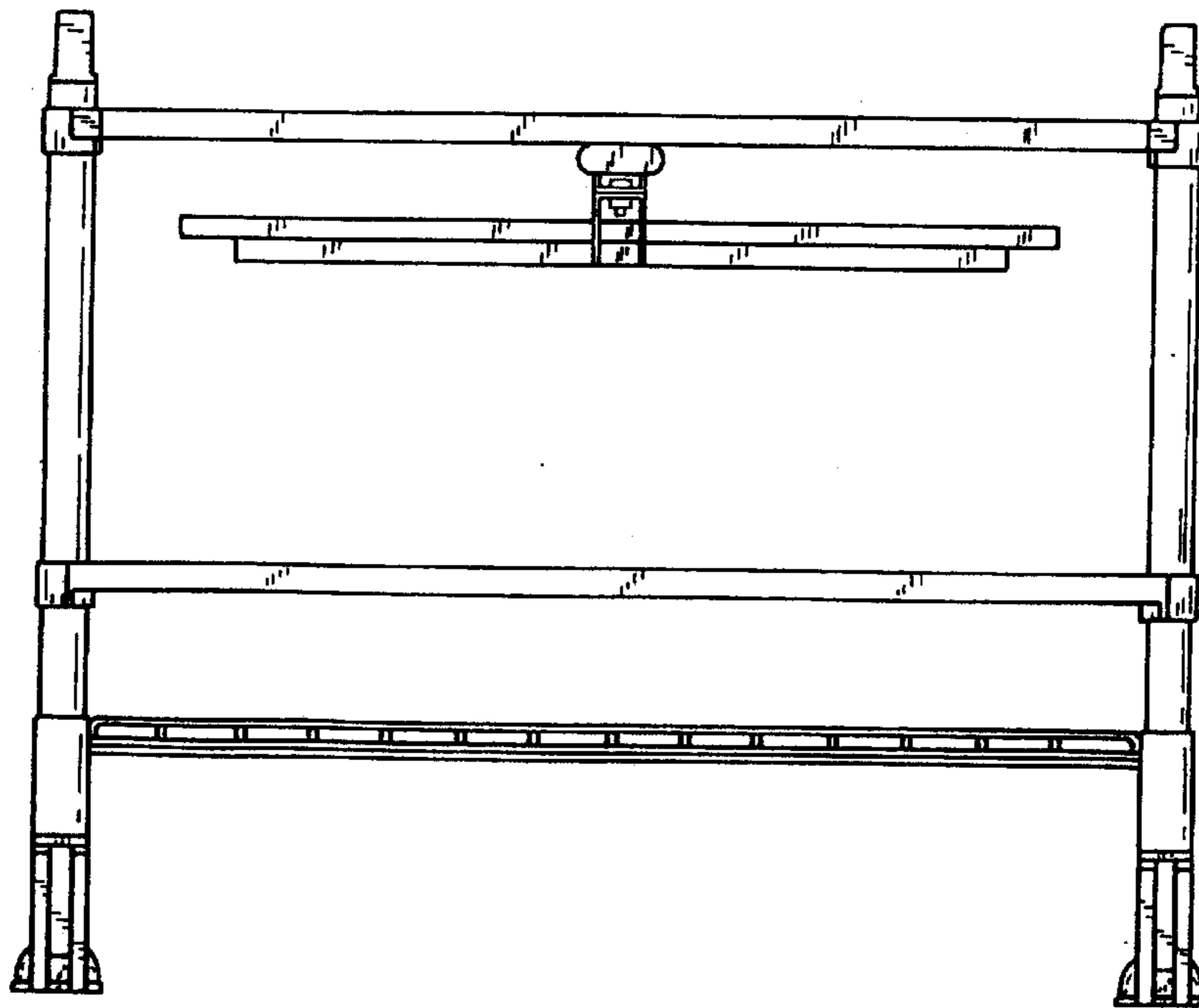


FIG. 7