



US00D456167S

(12) **United States Design Patent**
Harwanko

(10) **Patent No.:** **US D456,167 S**

(45) **Date of Patent:** **** Apr. 30, 2002**

(54) **TOWEL RACK**

(75) Inventor: **Jeffrey Harwanko**, Wilmington, DE
(US)

(73) Assignee: **Zenith Products Corp.**, New Castle,
DE (US)

(**) Term: **14 Years**

(21) Appl. No.: **29/138,889**

(22) Filed: **Mar. 21, 2001**

(51) **LOC (7) Cl.** **06-04**

(52) **U.S. Cl.** **D6/410; D6/548**

(58) **Field of Search** D6/343, 397, 409-415,
D6/458, 462-468, 477, 479, 475, 455, 456,
546, 559, 561, 566, 567, 569, 573, 574;
108/50.11, 59, 91, 92, 93; 211/13.1, 37,
38, 85.3, 85.4, 30, 34, 42, 49.1, 90.03,
106, 119, 134, 186-189, 181.1, 200, 204-208;
248/441.1, 465.1, 175, 451, 124.1, 448

(56) **References Cited**

U.S. PATENT DOCUMENTS

2,896,789 A * 7/1959 Sans et al. 211/182 X

D316,342 S * 4/1991 Kee D6/410
D320,897 S * 10/1991 Kee D6/410
5,090,725 A * 2/1992 Feldner 280/651
D424,320 S * 5/2000 Klein et al. D6/411
D436,777 S * 1/2001 Walker D6/548

* cited by examiner

Primary Examiner—Cathron C. Brooks

(74) *Attorney, Agent, or Firm*—Edgar A. Zarins; Lloyd D.
Doigan

(57) **CLAIM**

The ornamental design for a towel rack, as shown and
described.

DESCRIPTION

FIG. 1 is a perspective view of a towel rack showing my new
design;

FIG. 2 is a top plan view thereof;

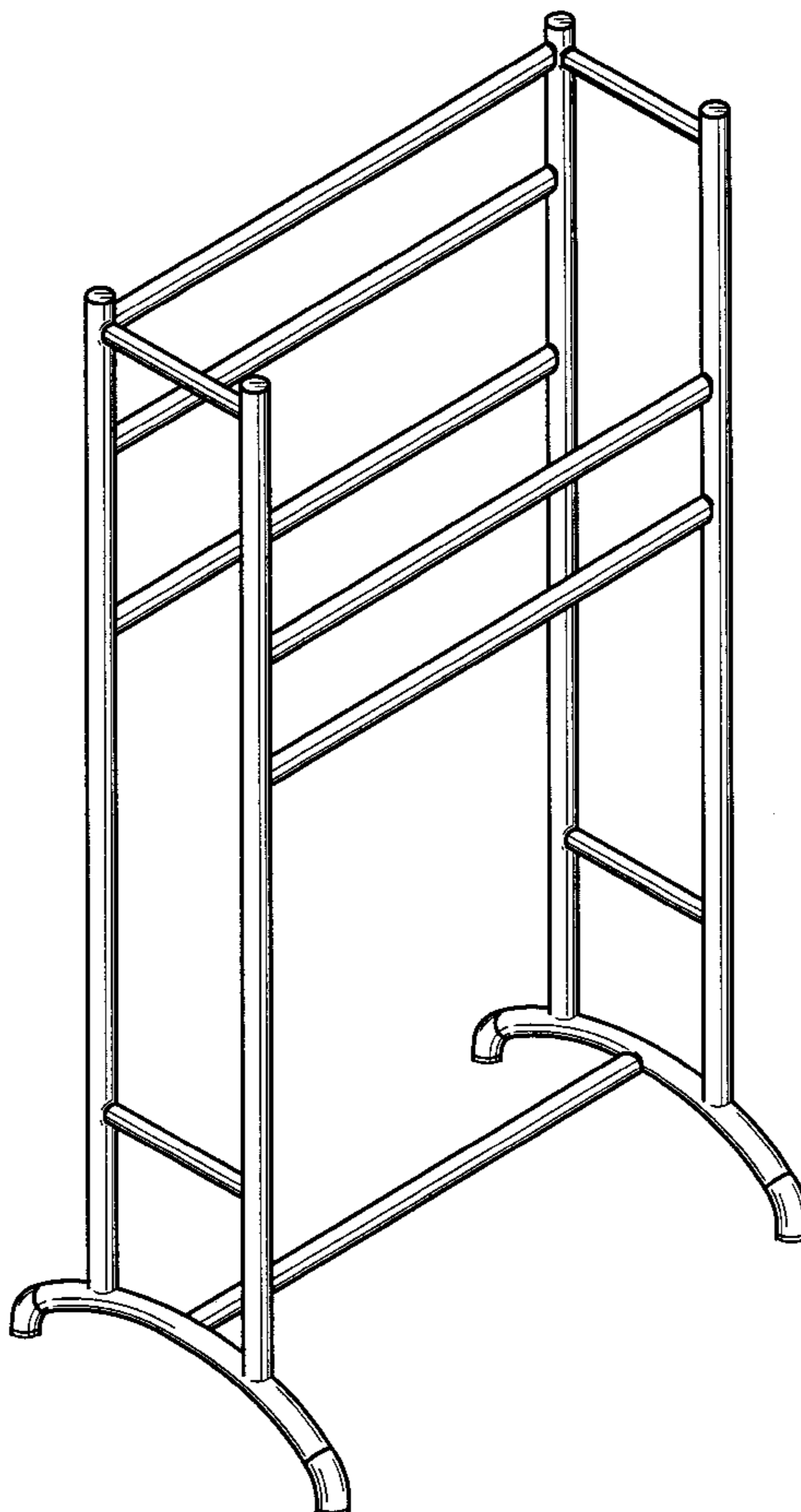
FIG. 3 is a right side view thereof;

FIG. 4 is a front elevational view thereof;

FIG. 5 is a rear elevational view thereof; and,

FIG. 6 is a left side view thereof.

1 Claim, 3 Drawing Sheets



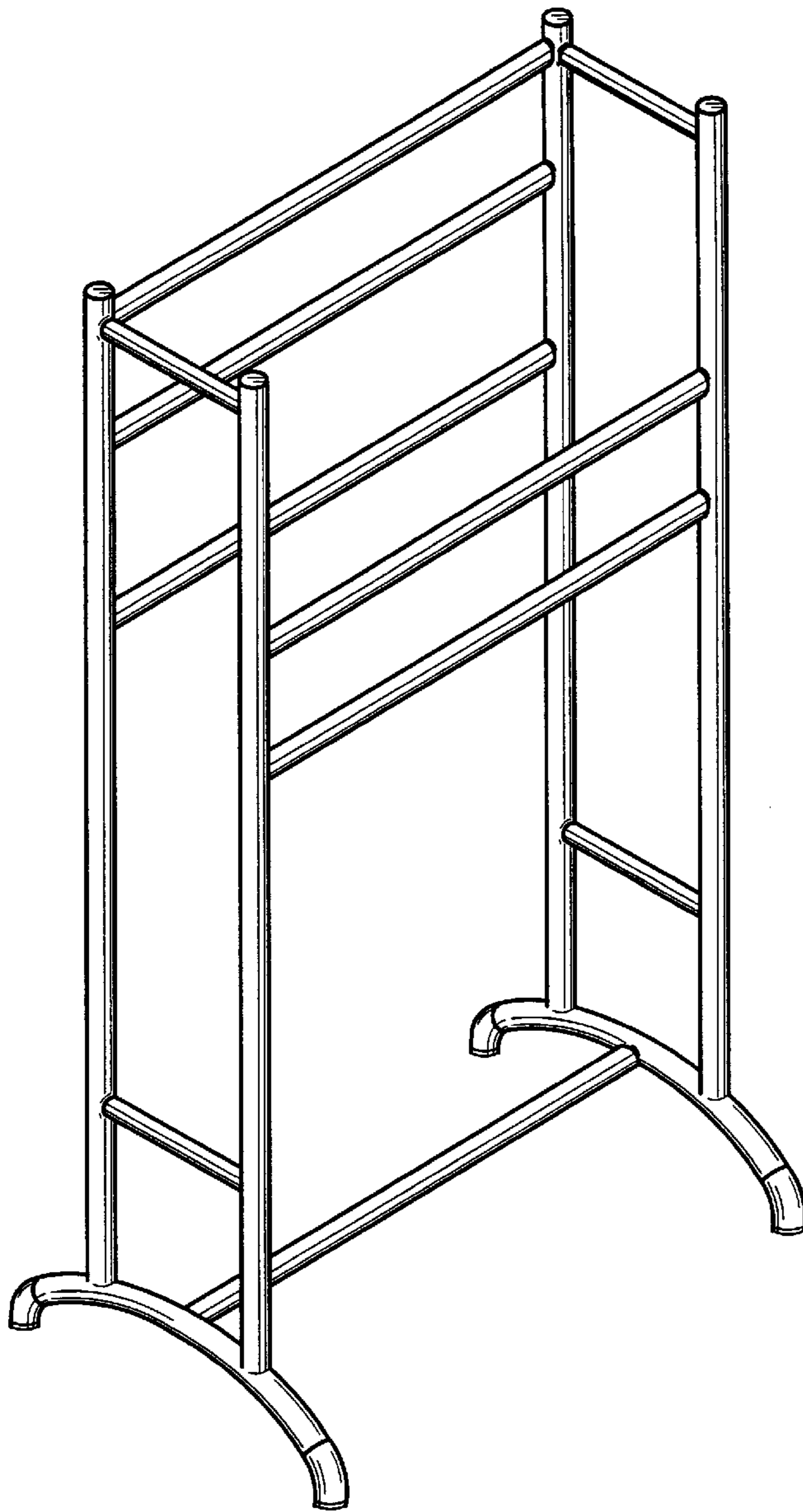


Figure - 1

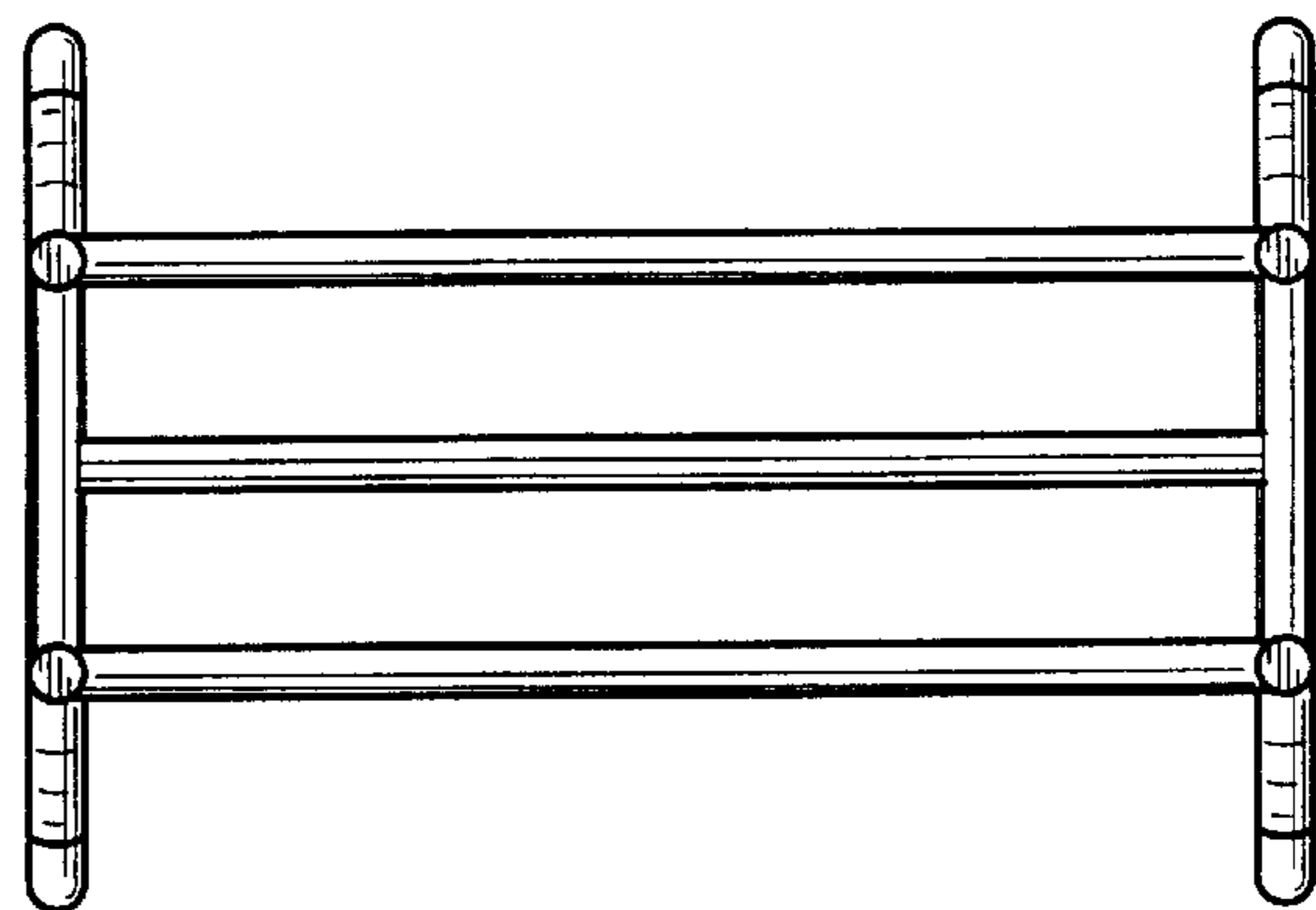


Figure - 2

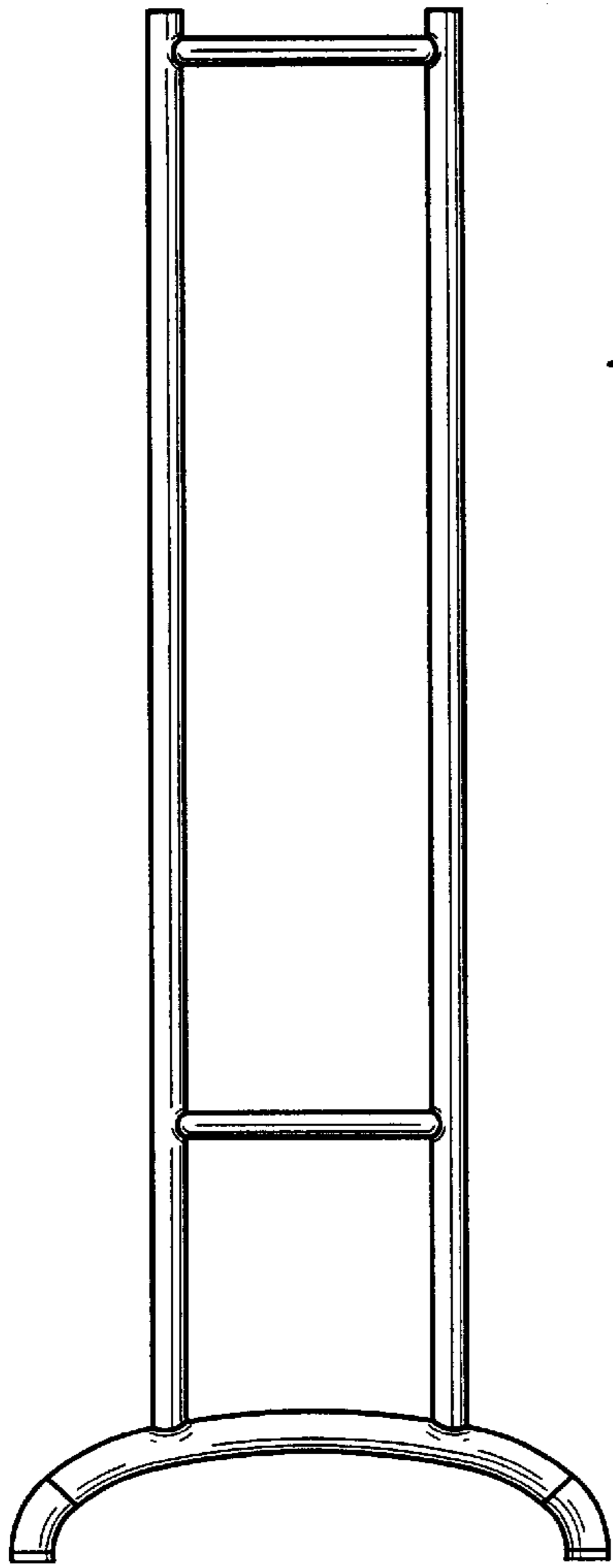


Figure - 3

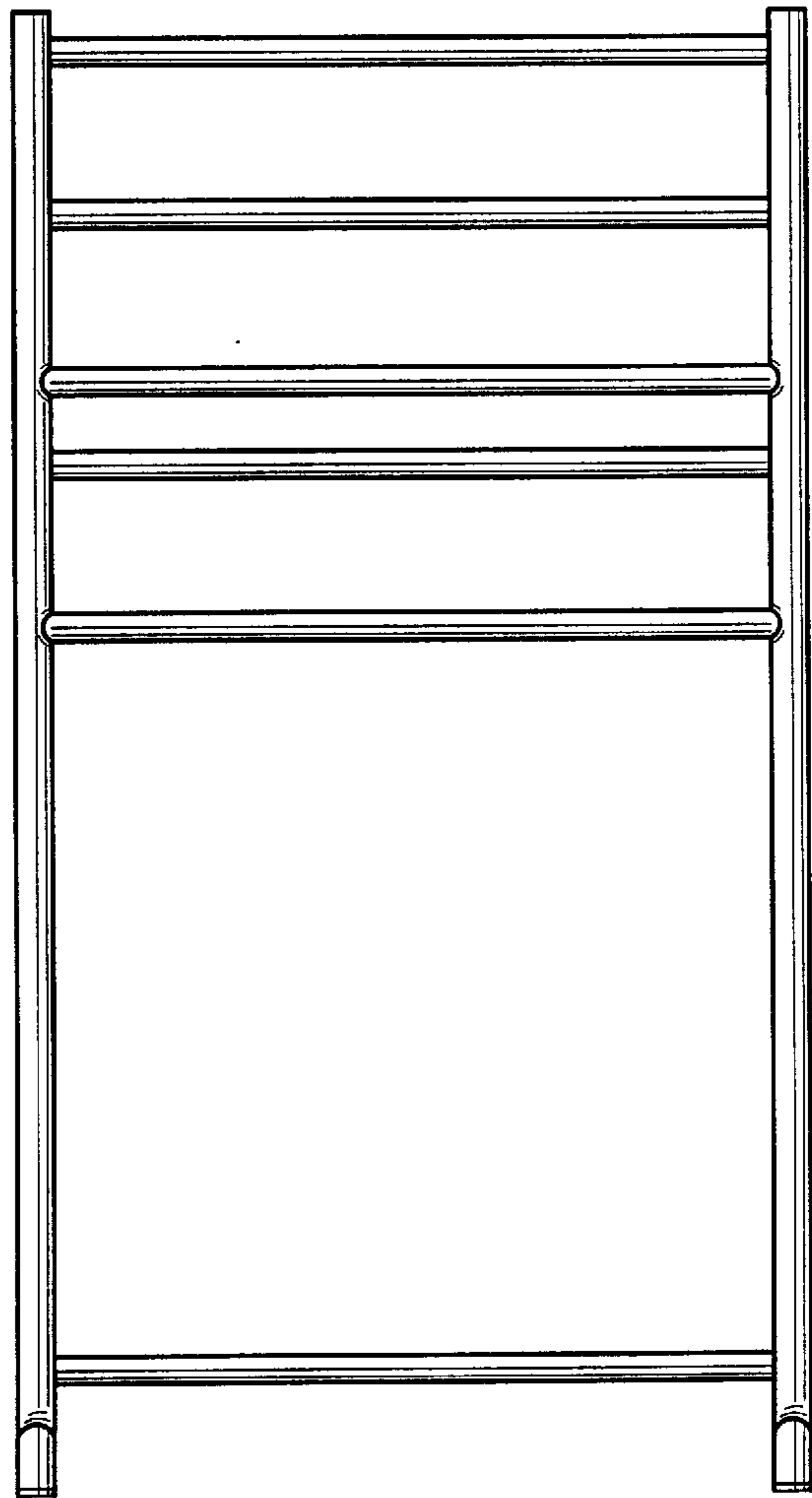


Figure - 4

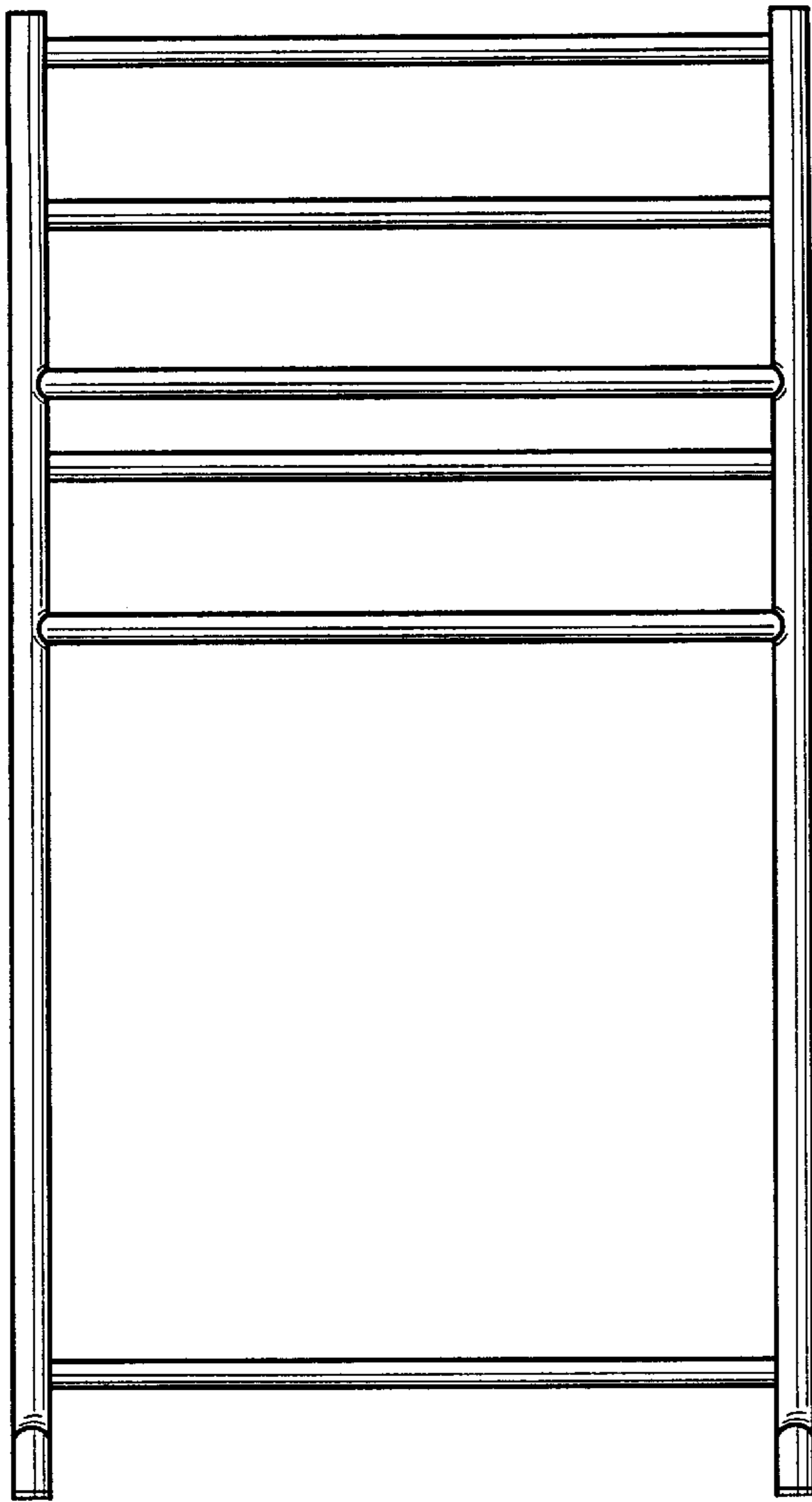


Figure - 6

Figure - 5

