



US00D456166S

(12) **United States Design Patent**
Seltzer

(10) **Patent No.:** **US D456,166 S**

(45) **Date of Patent:** **** Apr. 30, 2002**

(54) **COMPACT DISC HOLDER AND ORGANIZER**

(75) **Inventor:** **Randy Seltzer**, New York, NY (US)

(73) **Assignee:** **Premium Shapes LLC**, Secaucus, NJ (US)

(**) **Term:** **14 Years**

(21) **Appl. No.:** **29/146,249**

(22) **Filed:** **Aug. 7, 2001**

(51) **LOC (7) Cl.** **06-04**

(52) **U.S. Cl.** **D6/407; D3/215; D3/218**

(58) **Field of Search** **D3/201, 218, 215; D6/407, 626-635, 472; D15/140; D19/26, 27, 32; 206/307.1, 308.1, 308.2, 308.3, 309, 311, 312, 387.11, 387.13, 387.15, 755; 369/37, 75.2, 291; 379/355; 248/229.1**

(56) **References Cited**

U.S. PATENT DOCUMENTS

- D180,641 S * 7/1957 Edmondson
- D197,720 S * 3/1964 Gamble
- 3,224,655 A * 12/1965 Buchanan et al.
- D205,184 S * 7/1966 Johnson
- 4,282,973 A * 8/1981 Binkowski 206/308.3
- D321,800 S * 11/1991 Blum D6/472

- D356,698 S * 3/1995 Chow D6/407
- 5,429,335 A * 7/1995 Cunningham 248/229.1
- 5,573,120 A * 11/1996 Kaufman et al. 206/755
- D390,241 S * 2/1998 Mori D15/140
- 5,887,714 A * 3/1999 Yeo 206/308.1
- D421,870 S * 3/2000 Boucard D6/627
- D429,107 S * 8/2000 Boothe D6/630
- D429,578 S * 8/2000 Vesco D6/407
- 6,164,445 A * 12/2000 Cooper 206/308.1

* cited by examiner

Primary Examiner—Celia Murphy

(74) *Attorney, Agent, or Firm*—Howard C. Miskin; Gloria Tsui-Yip

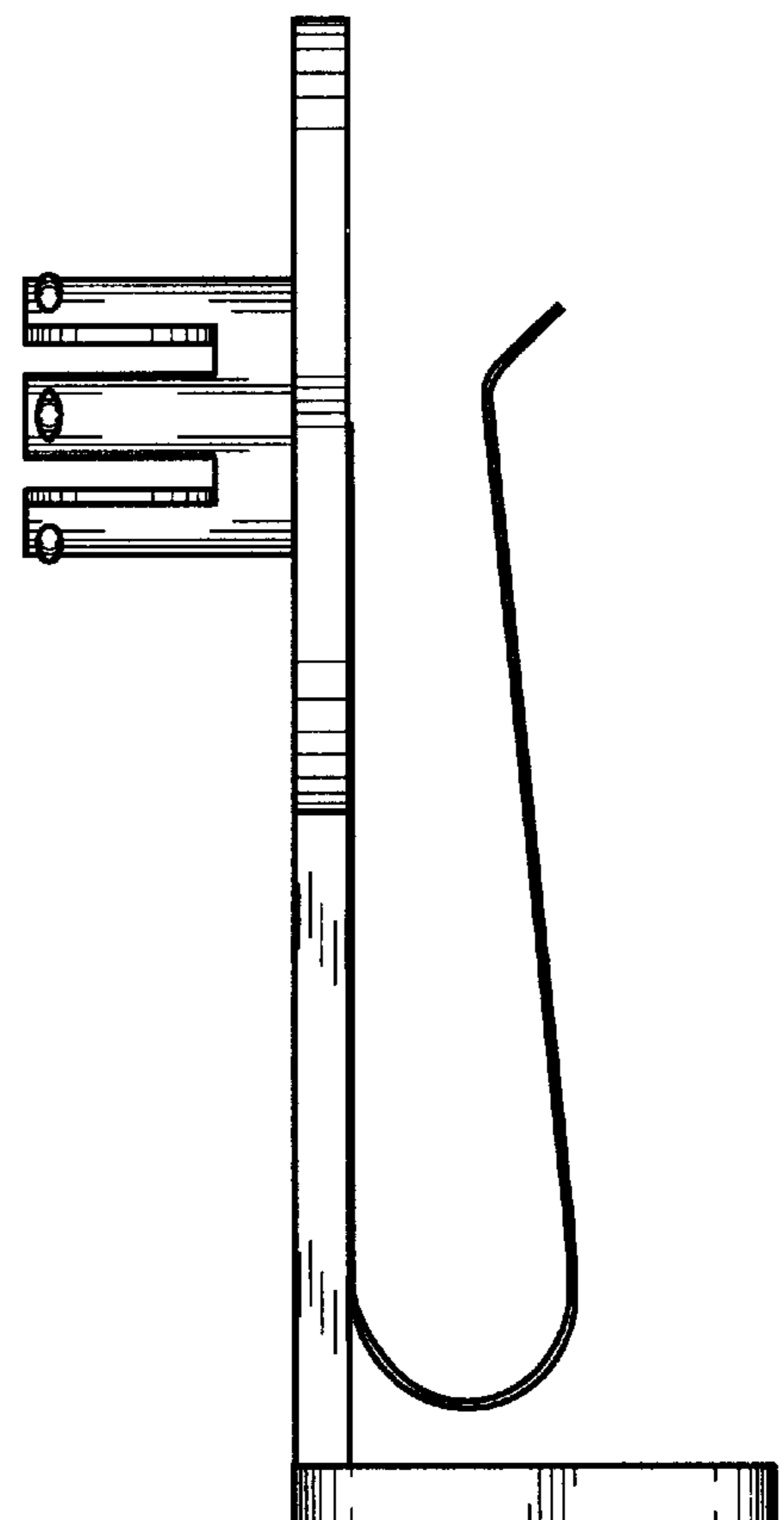
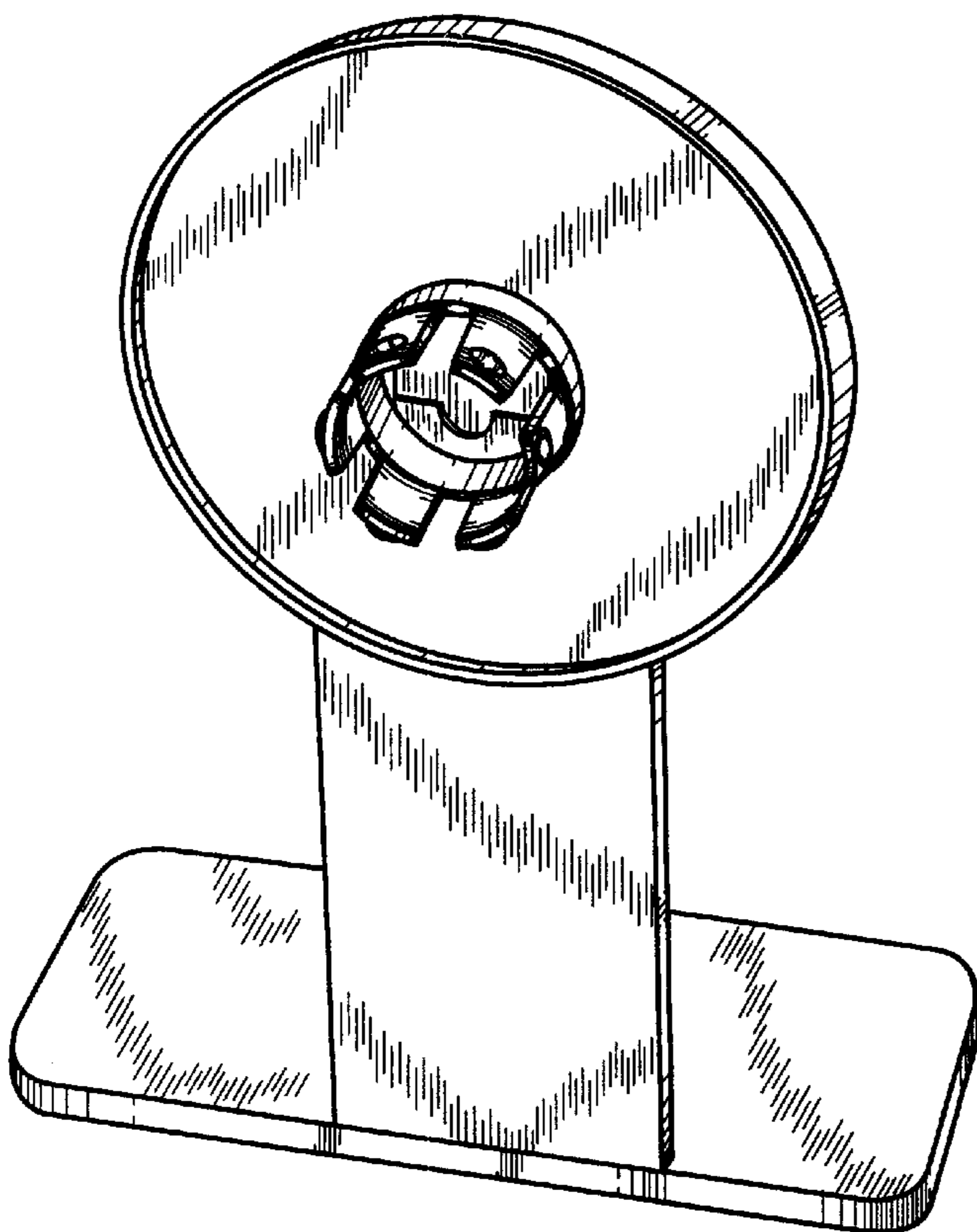
(57) **CLAIM**

I claim the ornamental design for compact disc holder and organizer, as shown and described.

DESCRIPTION

FIG. 1 is a perspective view of a compact disc holder and organizer showing my new design;
 FIG. 2 is a rear elevational view thereof;
 FIG. 3 is a front elevational view thereof;
 FIG. 4 is a right side elevational view thereof;
 FIG. 5 is a left side elevational view thereof;
 FIG. 6 is a top plan view thereof; and,
 FIG. 7 is a bottom plan view thereof.

1 Claim, 2 Drawing Sheets



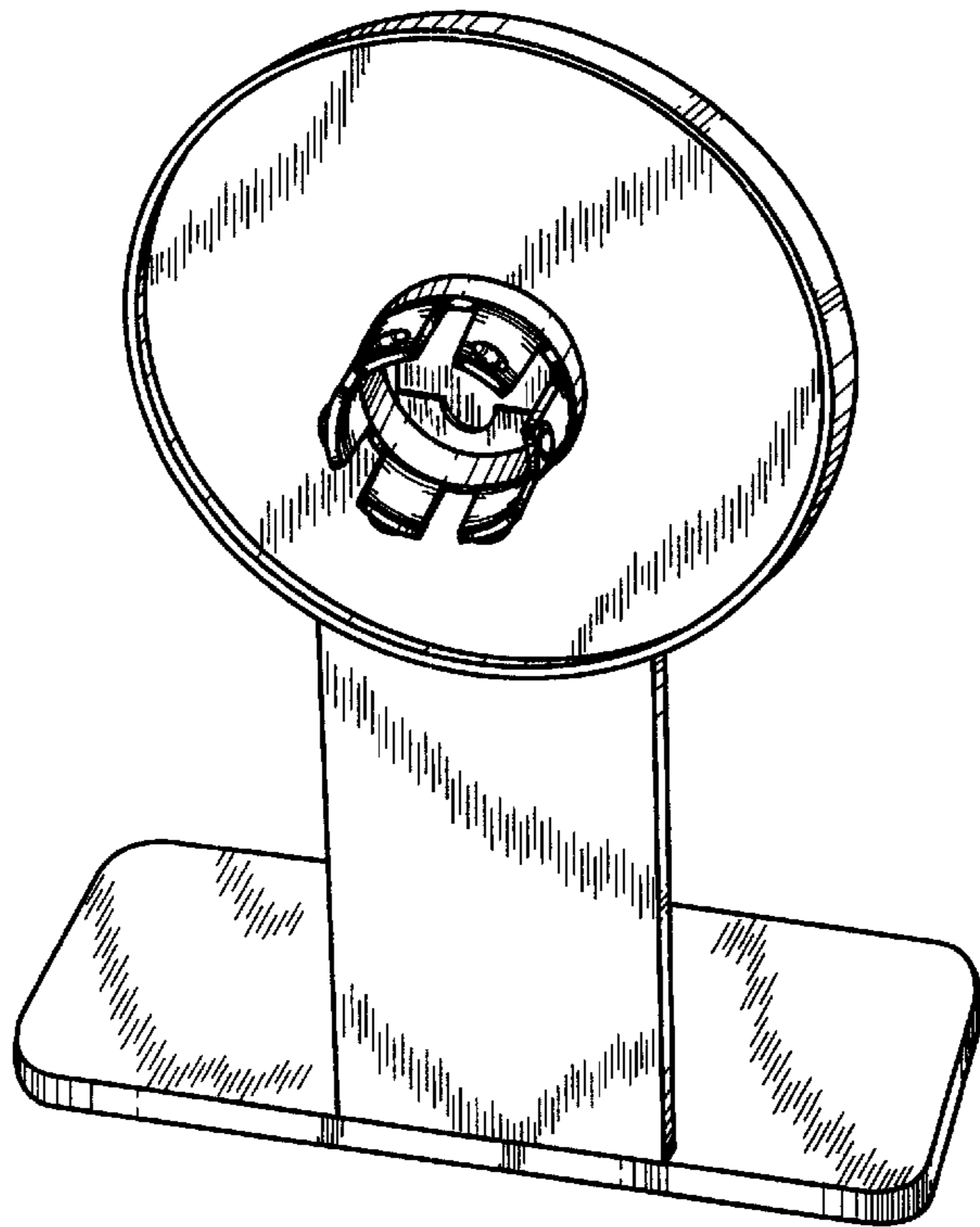


FIG. 1

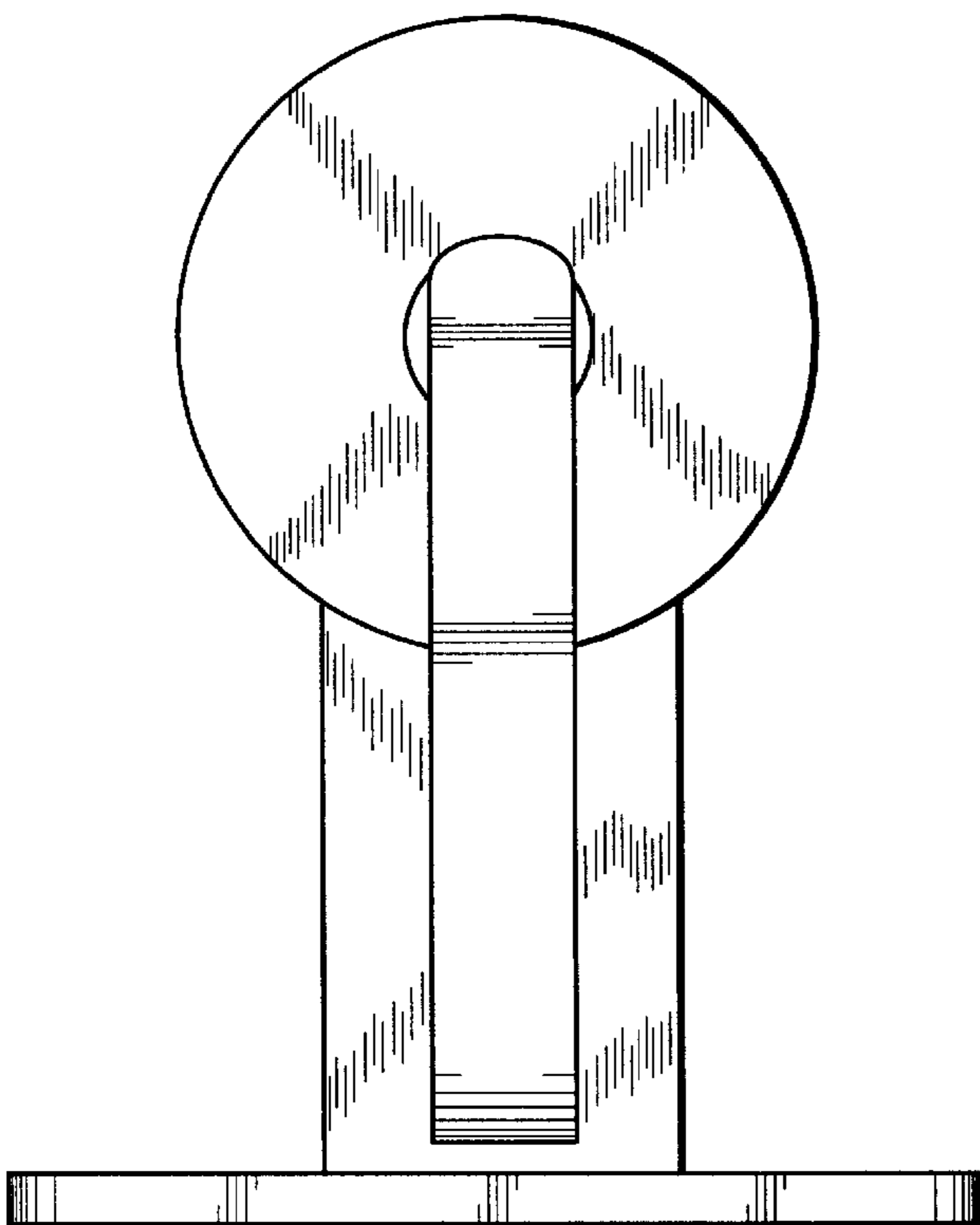


FIG. 2

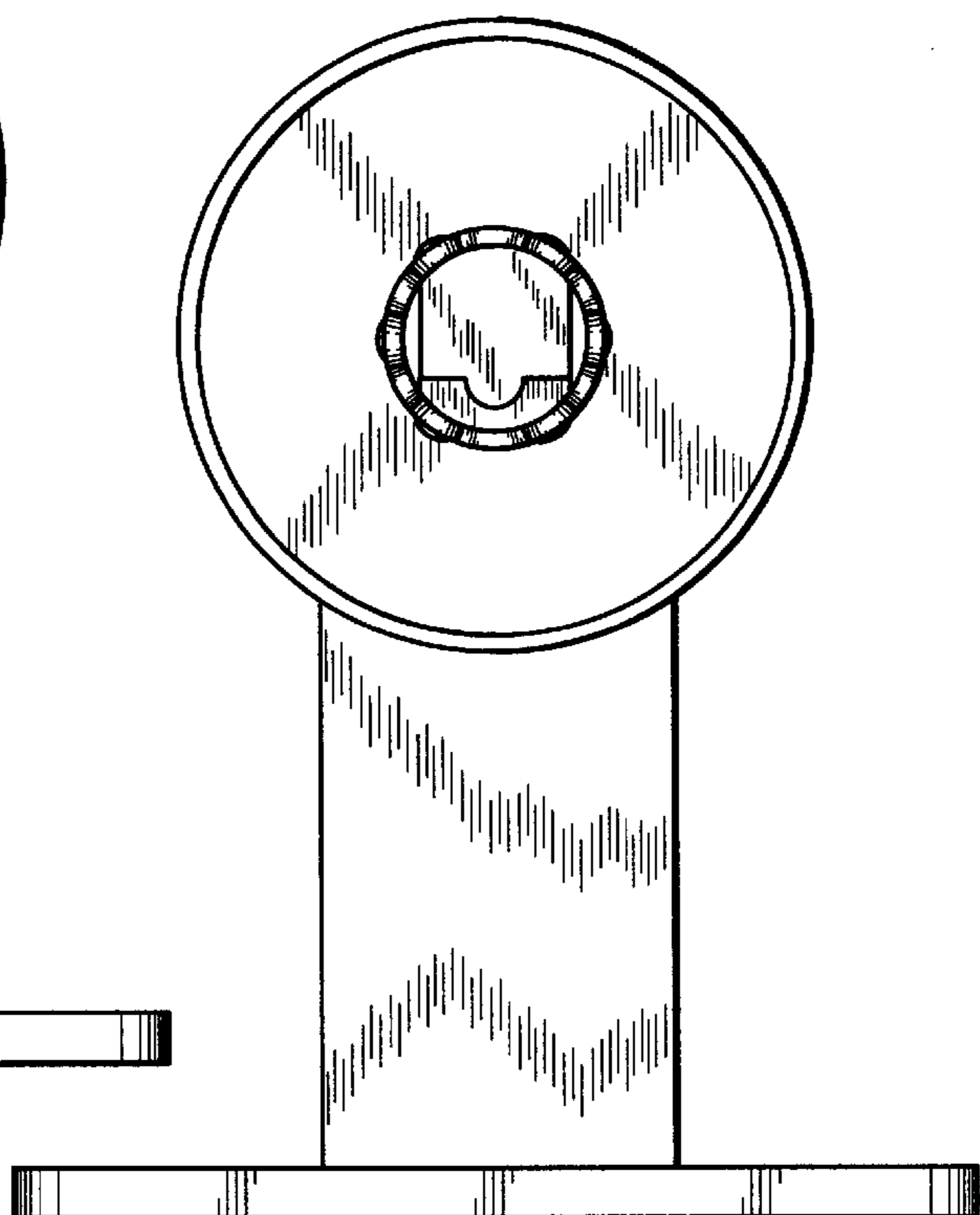


FIG. 3

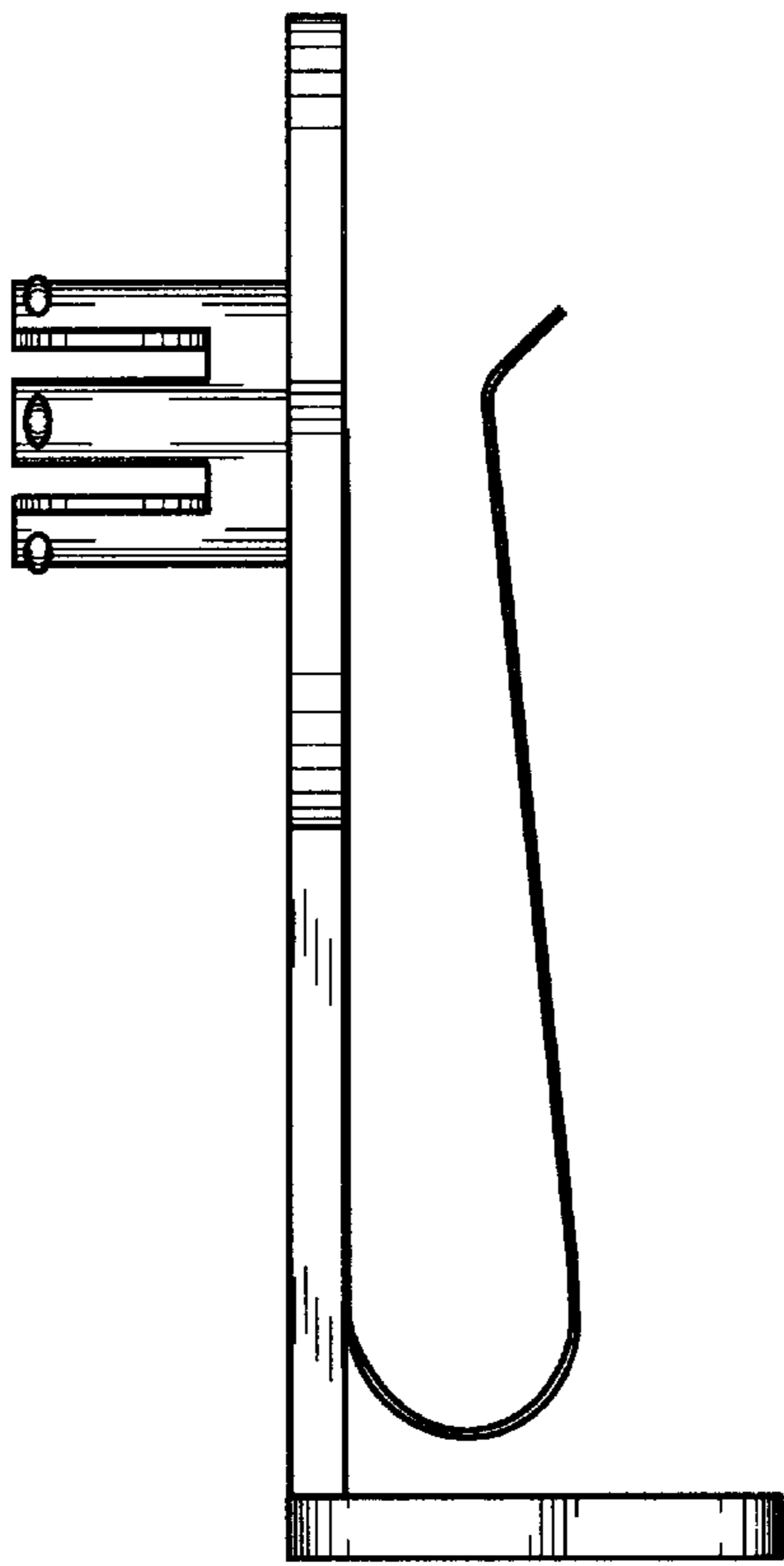


FIG. 4

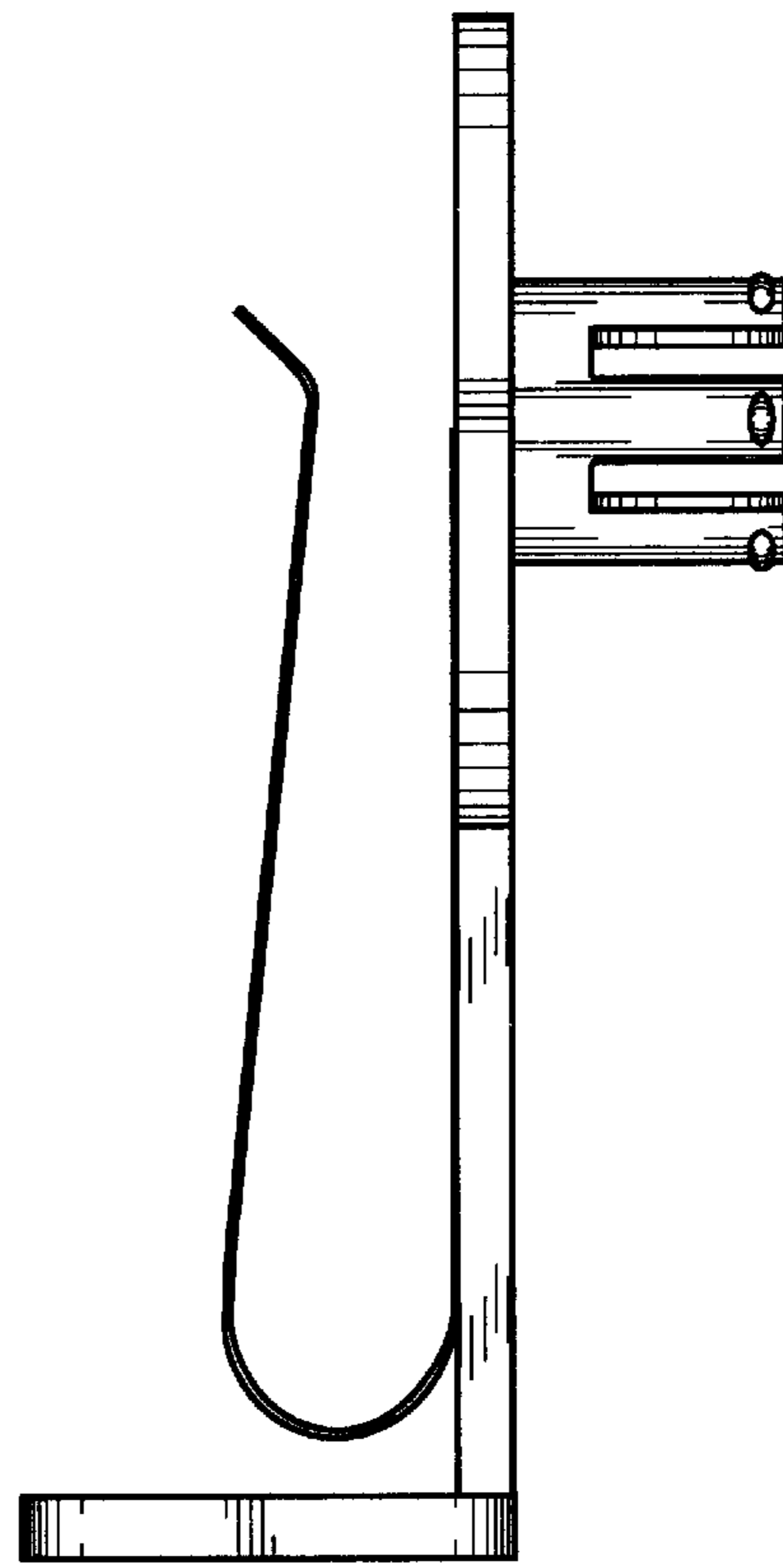


FIG. 5

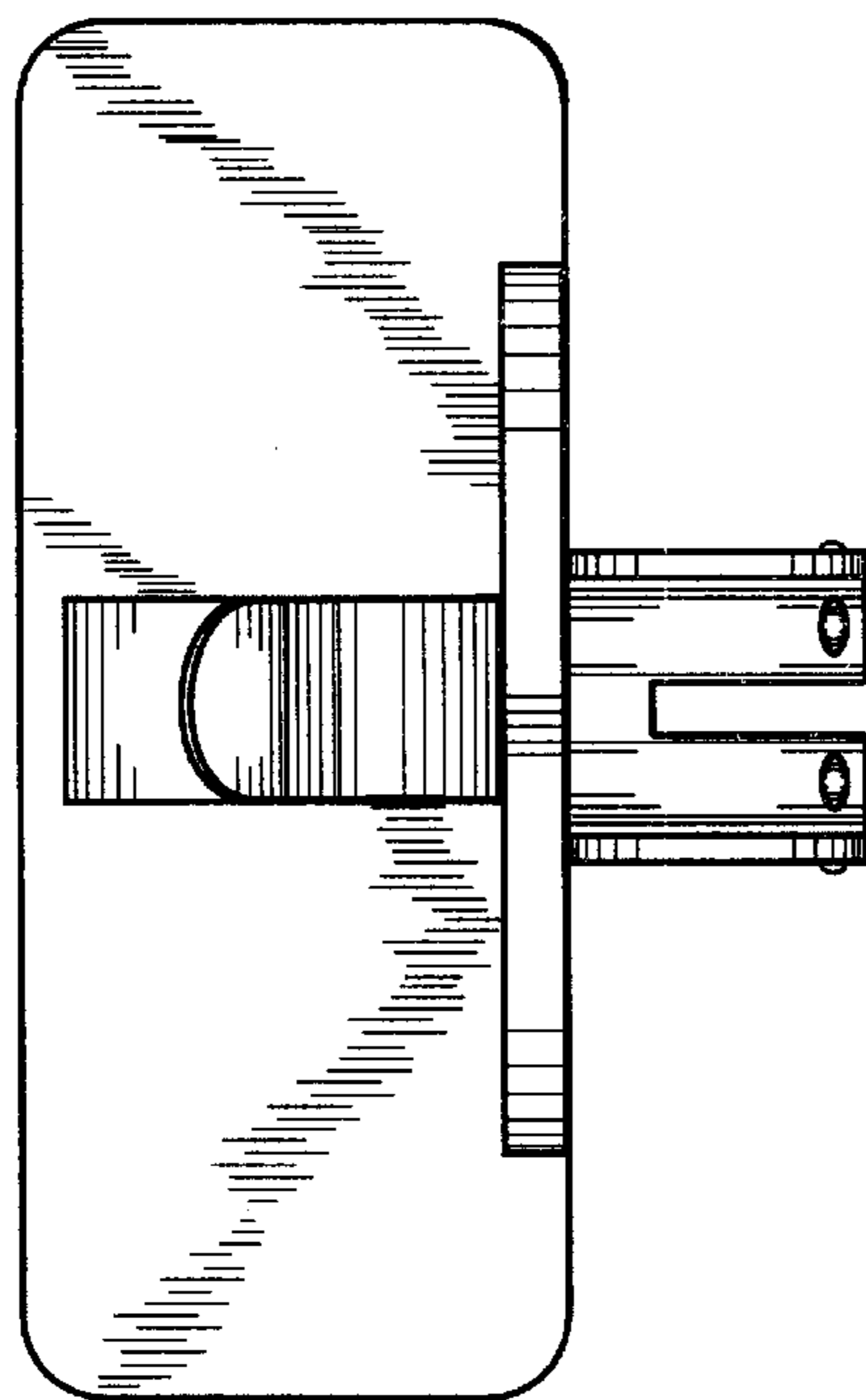


FIG. 6

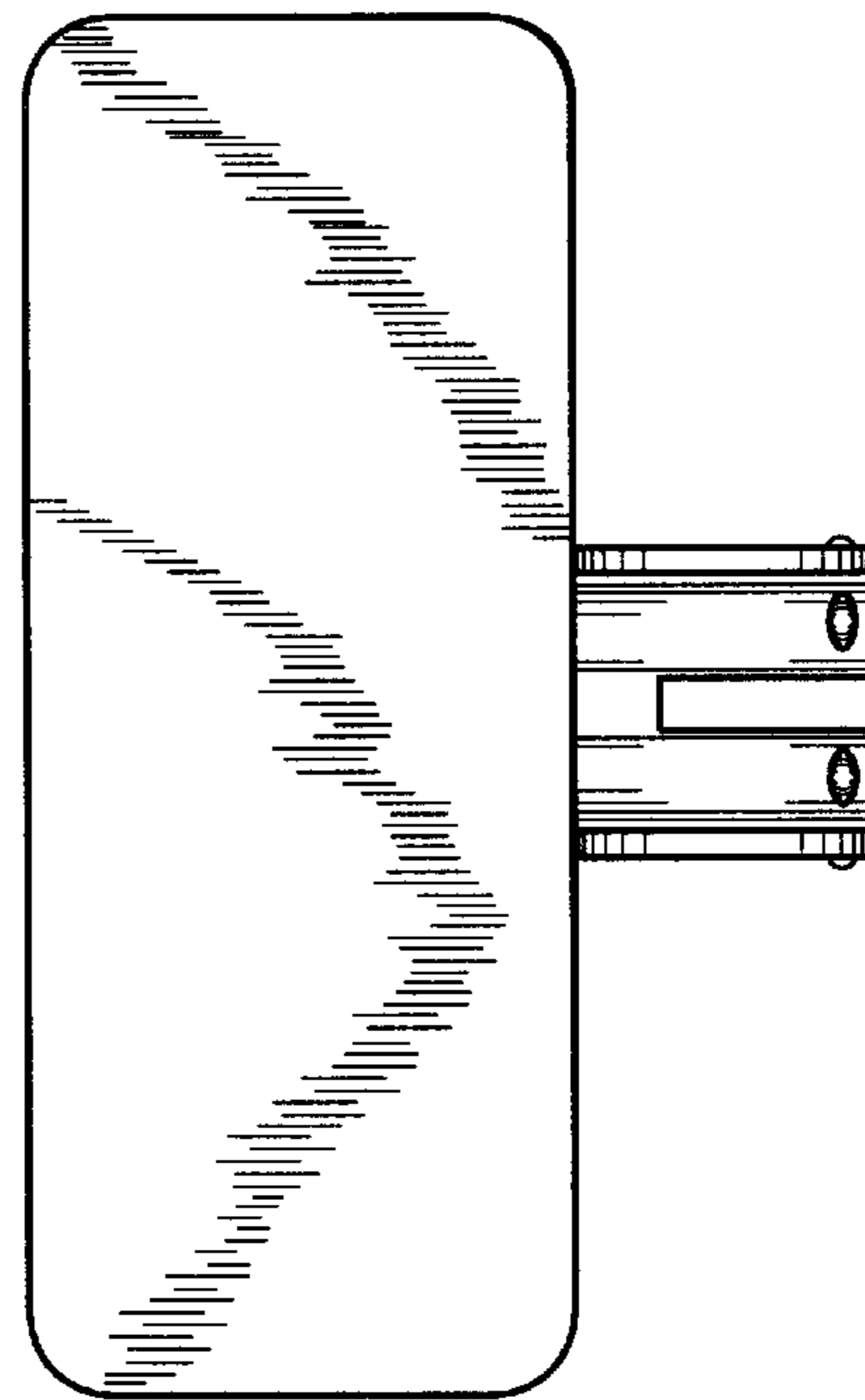


FIG. 7