



US00D456163S

(12) **United States Design Patent**
Englisch

(10) **Patent No.:** **US D456,163 S**

(45) **Date of Patent:** **** Apr. 30, 2002**

(54) **CHAIR**

(75) Inventor: **Michael Englisch**, Blender (DE)

(73) Assignee: **Wilkhahn Wilkening + Hahne GmbH + Co.** (DE)

(**) Term: **14 Years**

(21) Appl. No.: **29/140,224**

(22) Filed: **Apr. 13, 2001**

(30) **Foreign Application Priority Data**

Oct. 18, 2000 (DE) 400 10 071

(51) **LOC (7) Cl.** **06-01**

(52) **U.S. Cl.** **D6/372**

(58) **Field of Search** D6/334, 335, 371,
D6/372, 373, 374, 375, 376, 379, 380,
500, 501, 502; 297/447.1

(56) **References Cited**

U.S. PATENT DOCUMENTS

D278,285 S * 4/1985 Lowrey D6/372

D295,928 S * 5/1988 Oredat D6/372

D341,037 S * 11/1993 Pomeroy et al. D6/372 X

D399,072 S * 10/1998 Holbrook D6/372

D435,175 S * 12/2000 Chu D6/372

* cited by examiner

Primary Examiner—Gary D. Watson

(74) *Attorney, Agent, or Firm*—Reising, Ethington, Barnes, Kisselle, Learman & McCulloch, P.C.

(57) **CLAIM**

The ornamental design for a chair, as shown and described.

DESCRIPTION

FIG. 1 is a front elevational view of the design;

FIG. 2 is a rear elevational view of the design;

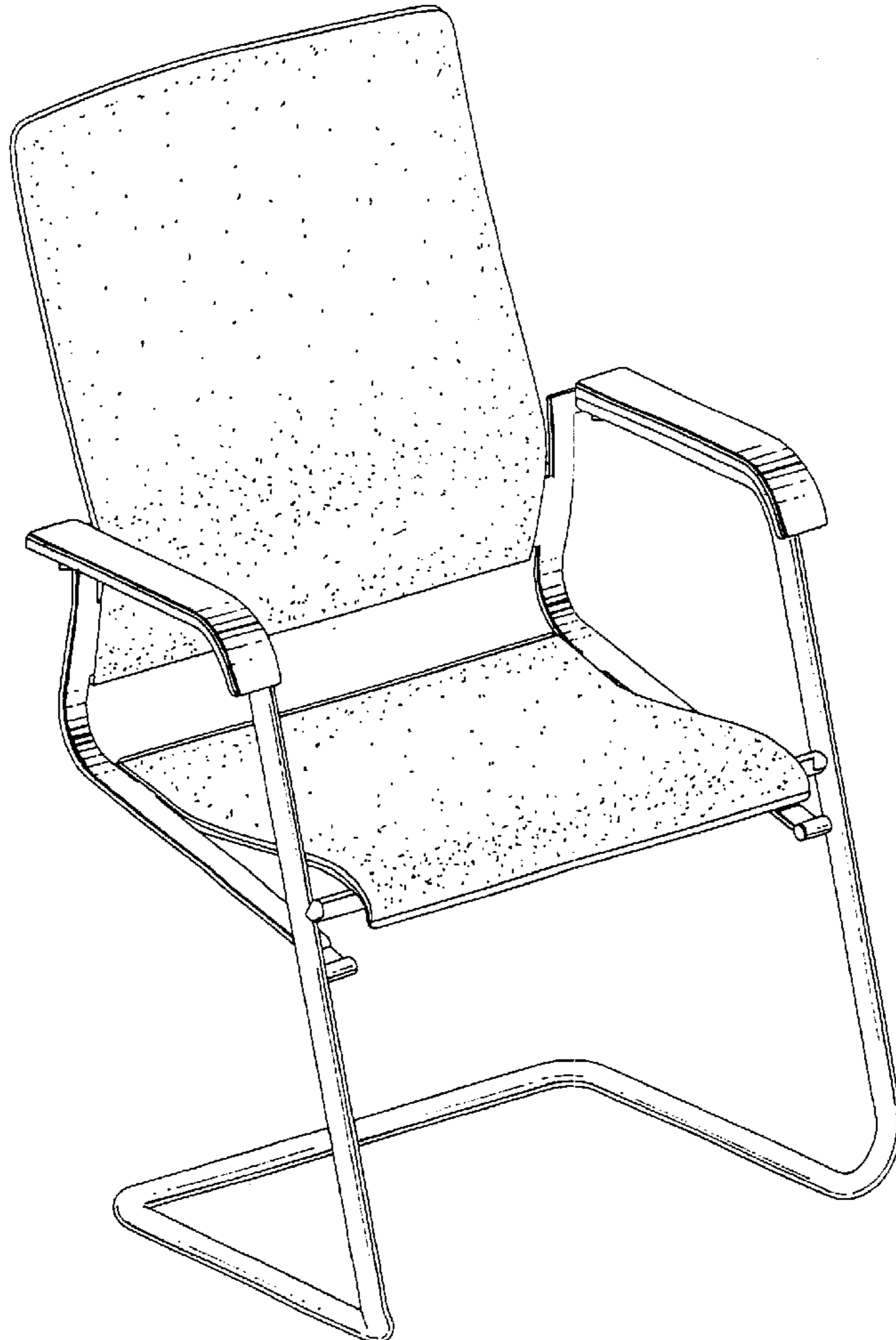
FIG. 3 is a top plan view of the design;

FIG. 4 is a bottom plan view of the design;

FIG. 5 is an elevational view of one side of the design, the opposite side being a mirror image; and,

FIG. 6 is an isometric view of the design.

1 Claim, 6 Drawing Sheets



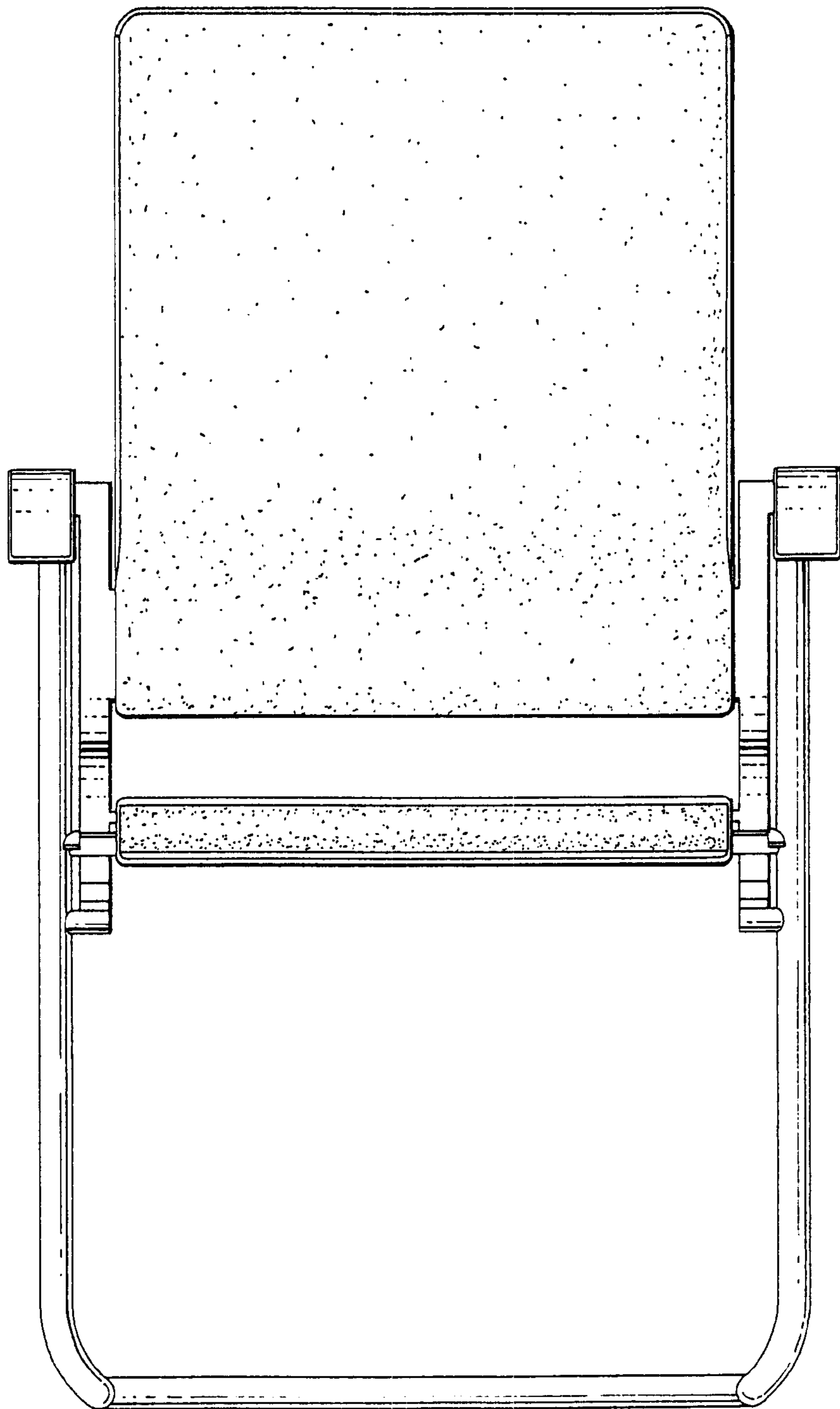


FIG. 1

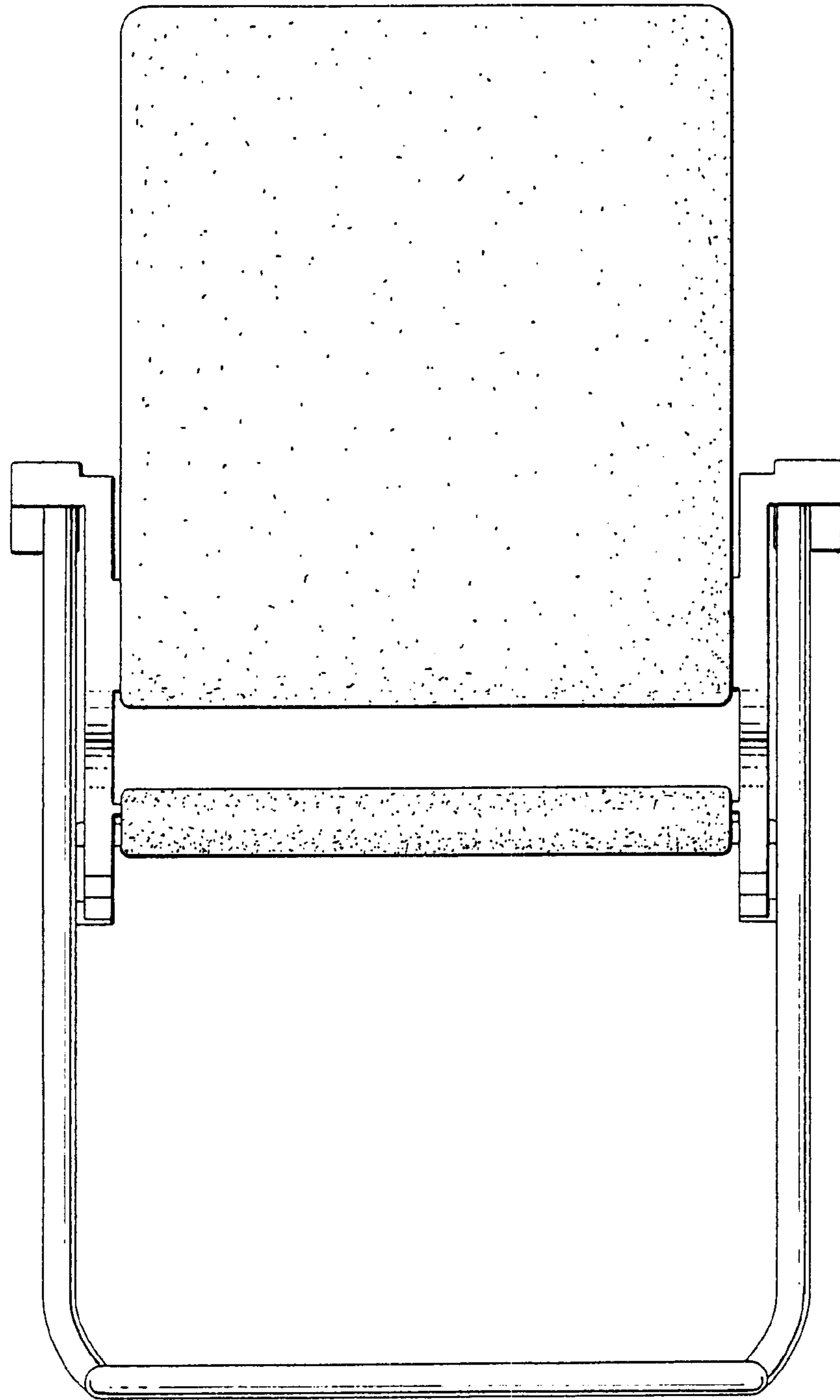


FIG. 2

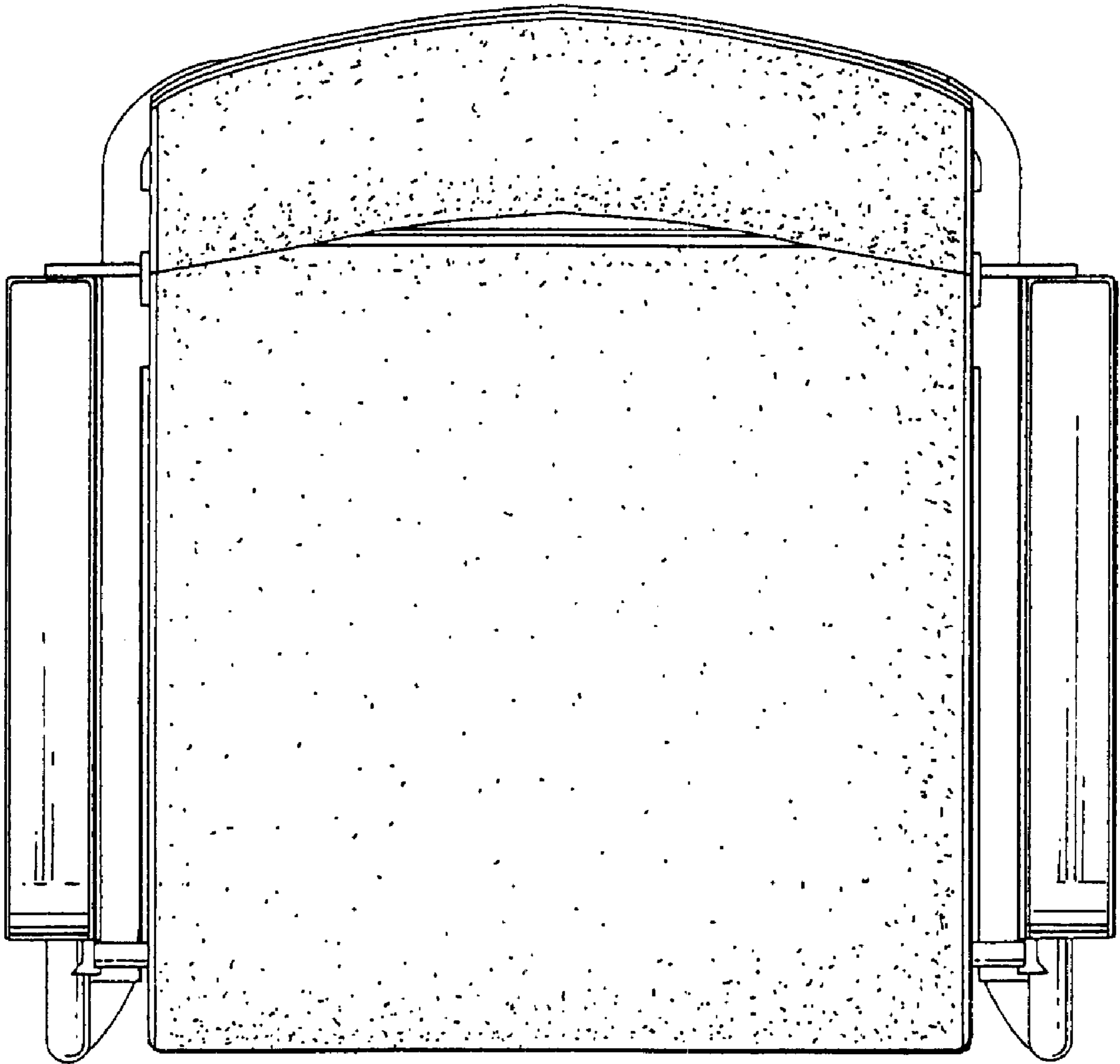


FIG. 3

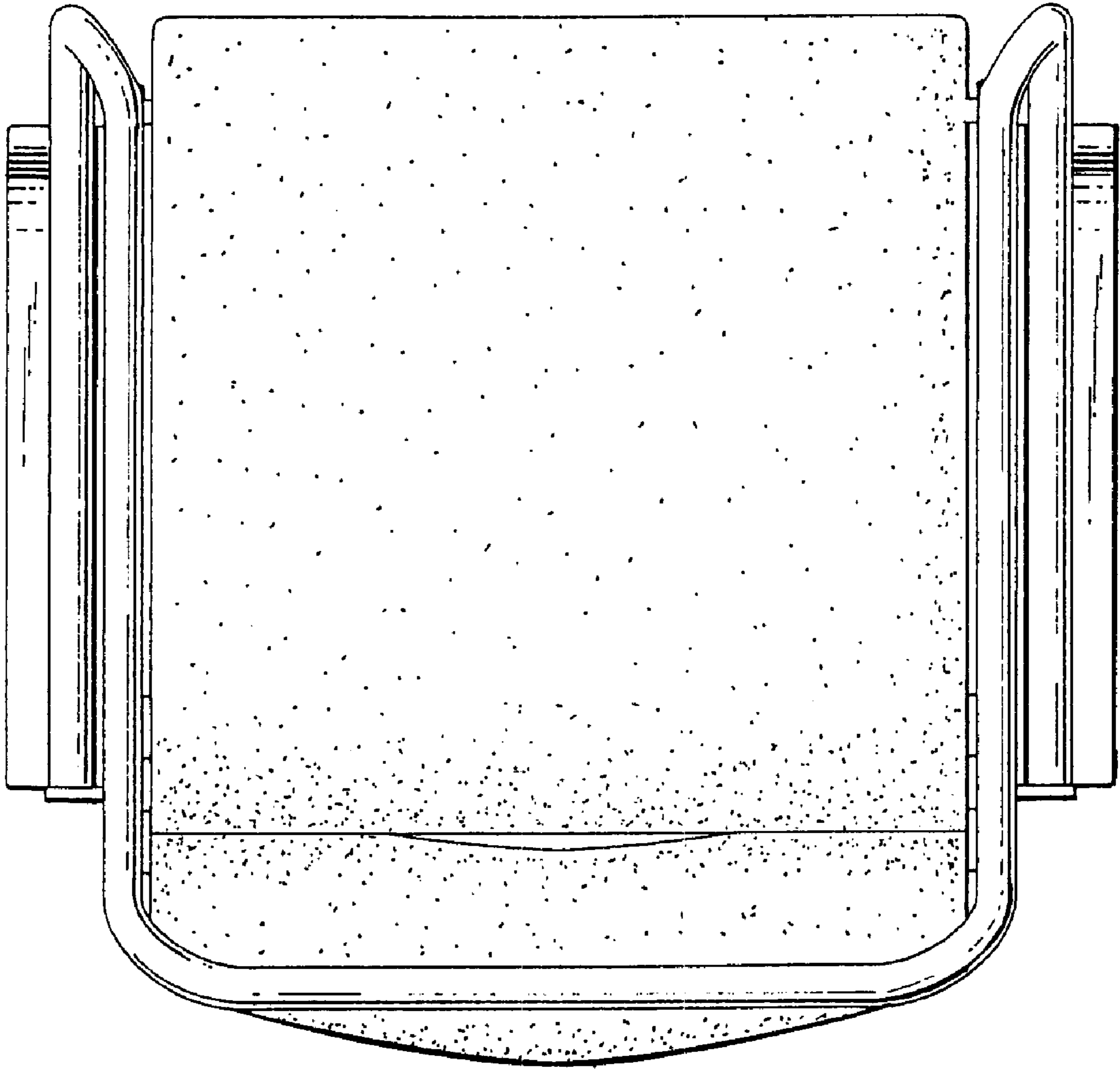


FIG. 4

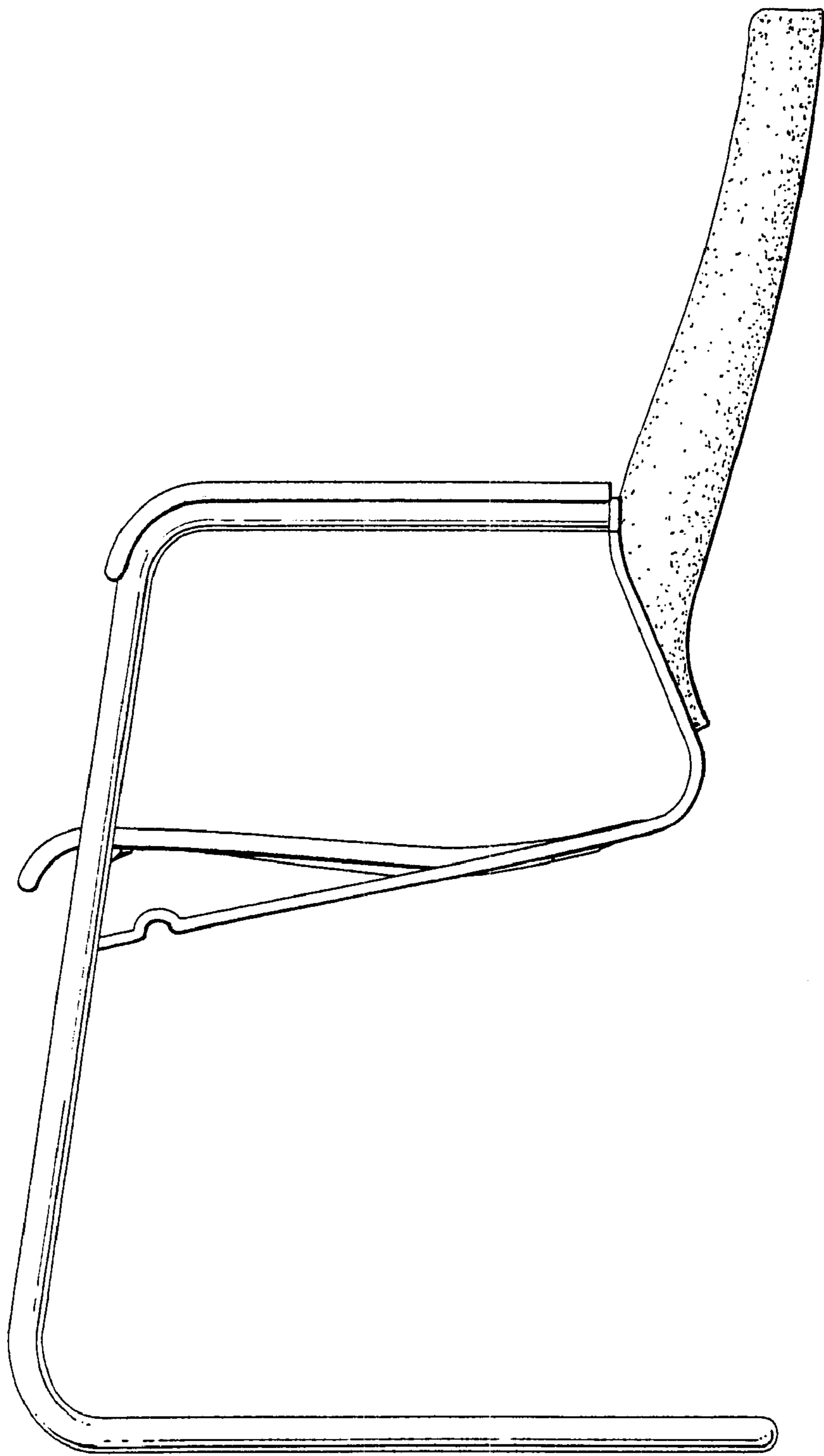


FIG. 5

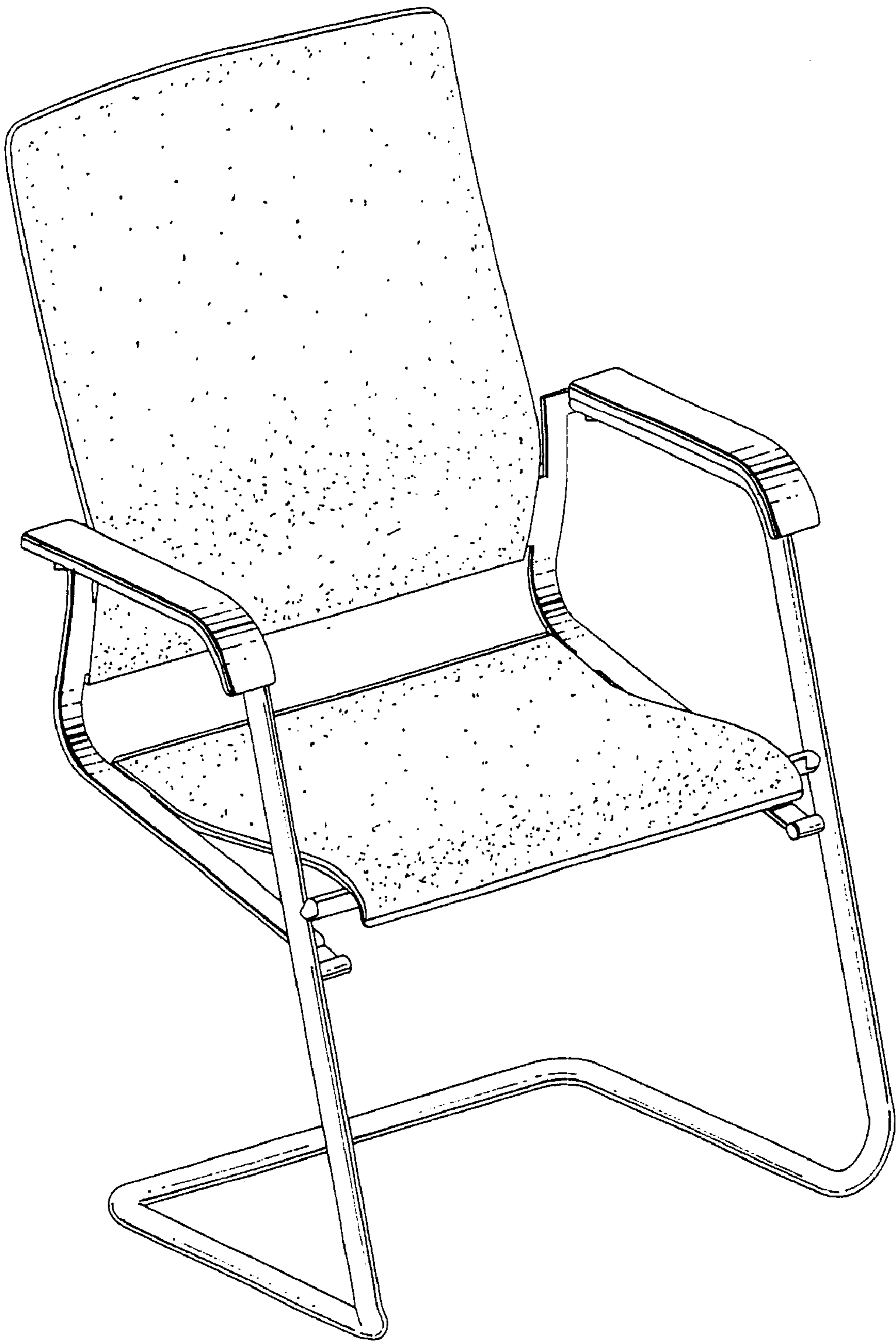


FIG. 6