



US00D456162S

(12) **United States Design Patent**
Peters

(10) **Patent No.:** **US D456,162 S**

(45) **Date of Patent:** **** Apr. 30, 2002**

(54) **LIGHT-WEIGHT PORTABLE FOLDING CHAIR**

Primary Examiner—Doris V. Coles
Assistant Examiner—Mimosa De

(76) **Inventor:** **Joseph C. Peters**, 127 Longfields Way,
Downingtown, PA (US) 19335

(57) **CLAIM**

(**) **Term:** **14 Years**

The ornamental design for a light-weight portable folding chair, as shown and described.

(21) **Appl. No.:** **29/147,290**

DESCRIPTION

(22) **Filed:** **Aug. 27, 2001**

FIG. 1 is a front elevation view of the folding chair showing my new design;

(51) **LOC (7) Cl.** **06-01**

FIG. 2 is a rear elevation view thereof;

(52) **U.S. Cl.** **D6/368**

FIG. 3 is a left side elevation view thereof;

(58) **Field of Search** D6/334, 335, 336,
D6/368, 371, 372, 500–502; 108/162; 248/174;
297/440.12

FIG. 4 is a right side elevation view thereof;

FIG. 5 is a top plan view thereof;

FIG. 6 is a bottom plan view thereof;

FIG. 7 is a perspective view thereof;

(56) **References Cited**

FIG. 8 is a perspective showing the folding chair in semi-folded condition;

U.S. PATENT DOCUMENTS

FIG. 9 is a top plan showing the folding chair in flat un-folded condition;

2,940,513 A * 6/1960 Holden 297/440.12

FIG. 10 is a perspective view of the folding chair in folded position for storage;

4,811,987 A * 3/1989 Volpe et al. 297/440.12

FIG. 11 is a front elevation view of the folding chair in folded position for storage; and,

4,869,553 A * 9/1989 Powell D6/368

FIG. 12 is a rear elevation view of the folding chair in folded position for storage.

4,926,512 A * 5/1990 Coyle D6/368

5,445,435 A * 8/1995 Sheckles 297/440.12

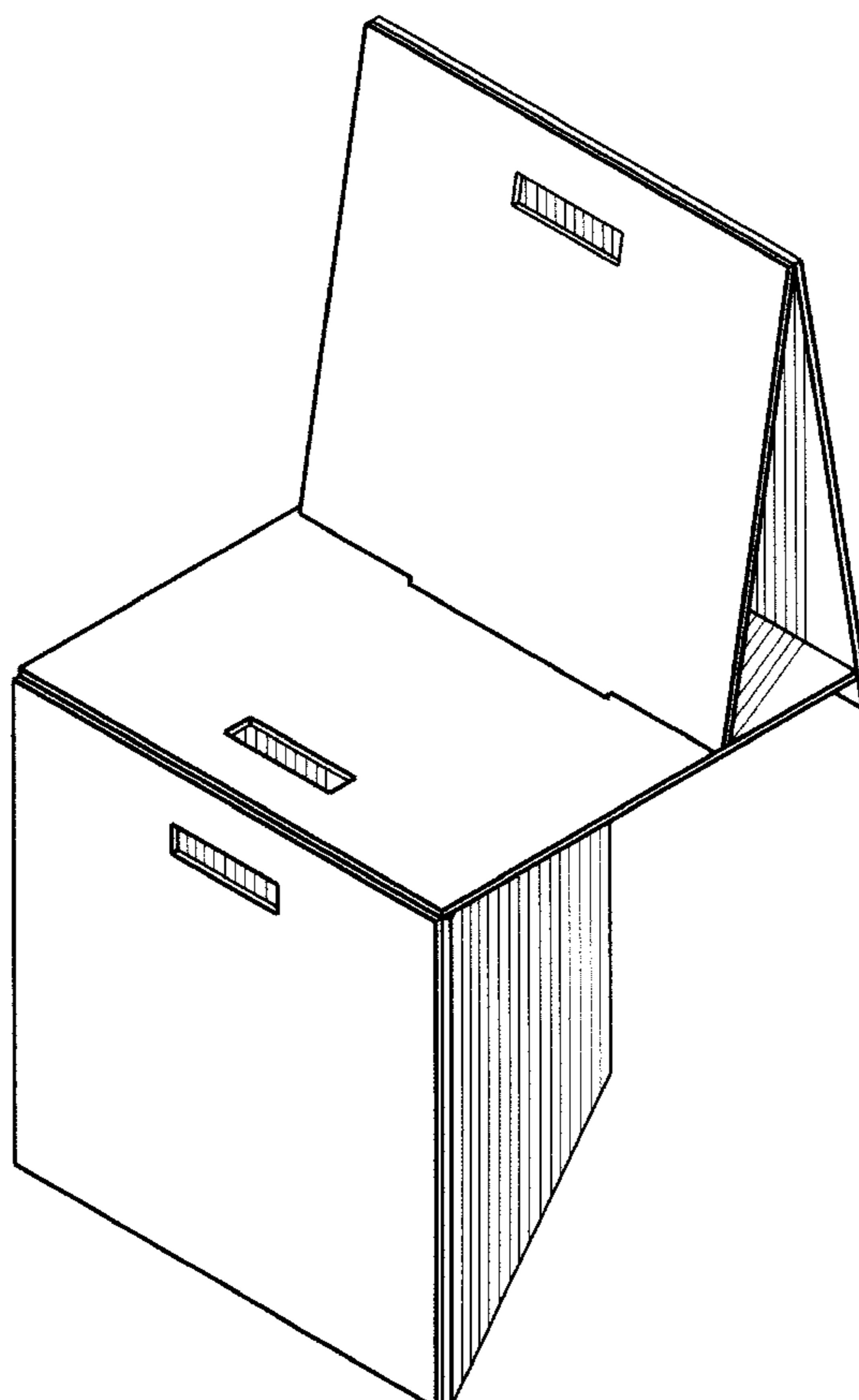
5,580,131 A * 12/1996 Ribot 297/440.12

5,795,027 A * 8/1998 Howard et al. 297/440.12

6,048,032 A * 4/2000 Stewart 297/440.12

* cited by examiner

1 Claim, 8 Drawing Sheets



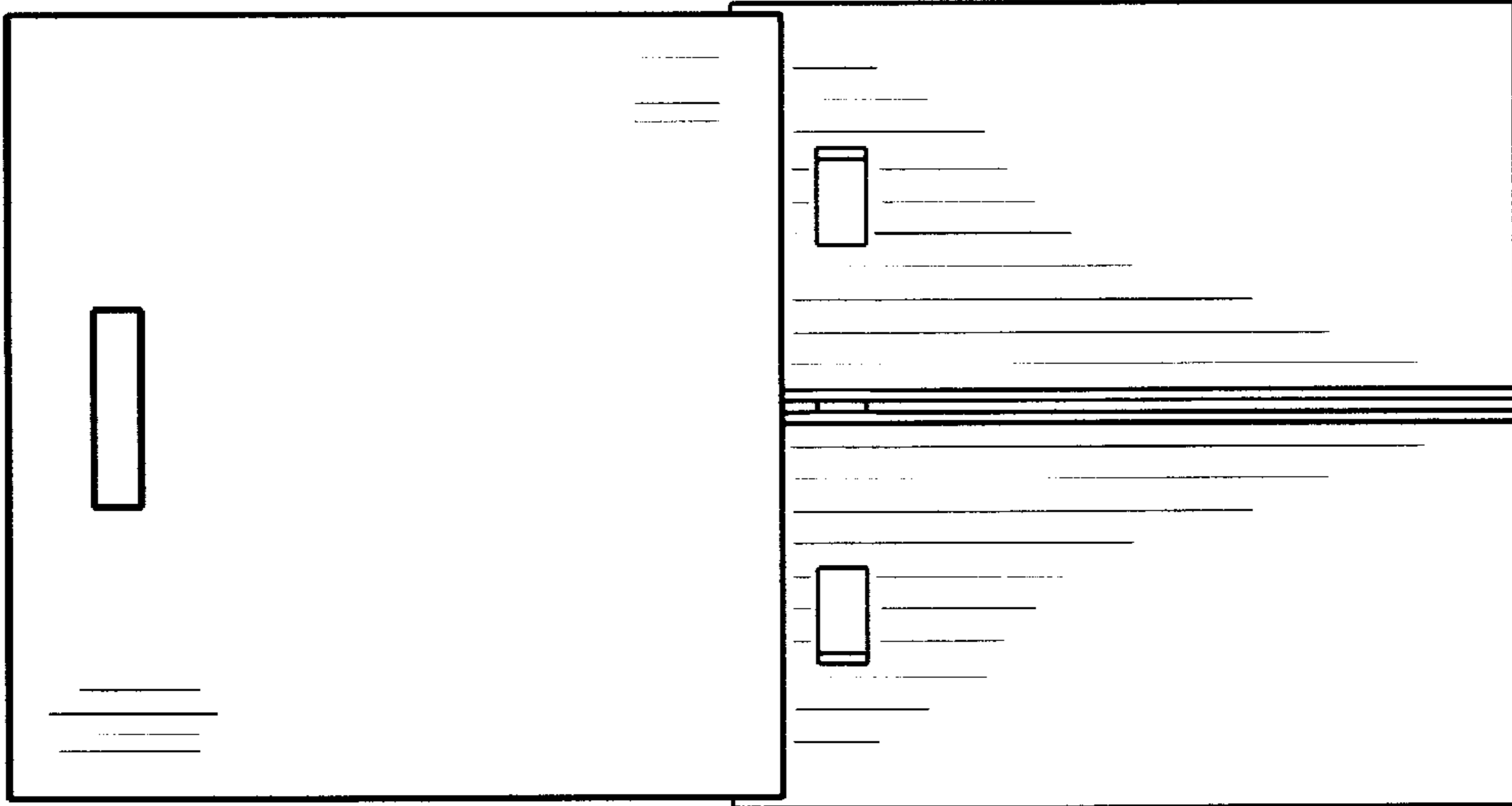


Fig. 2

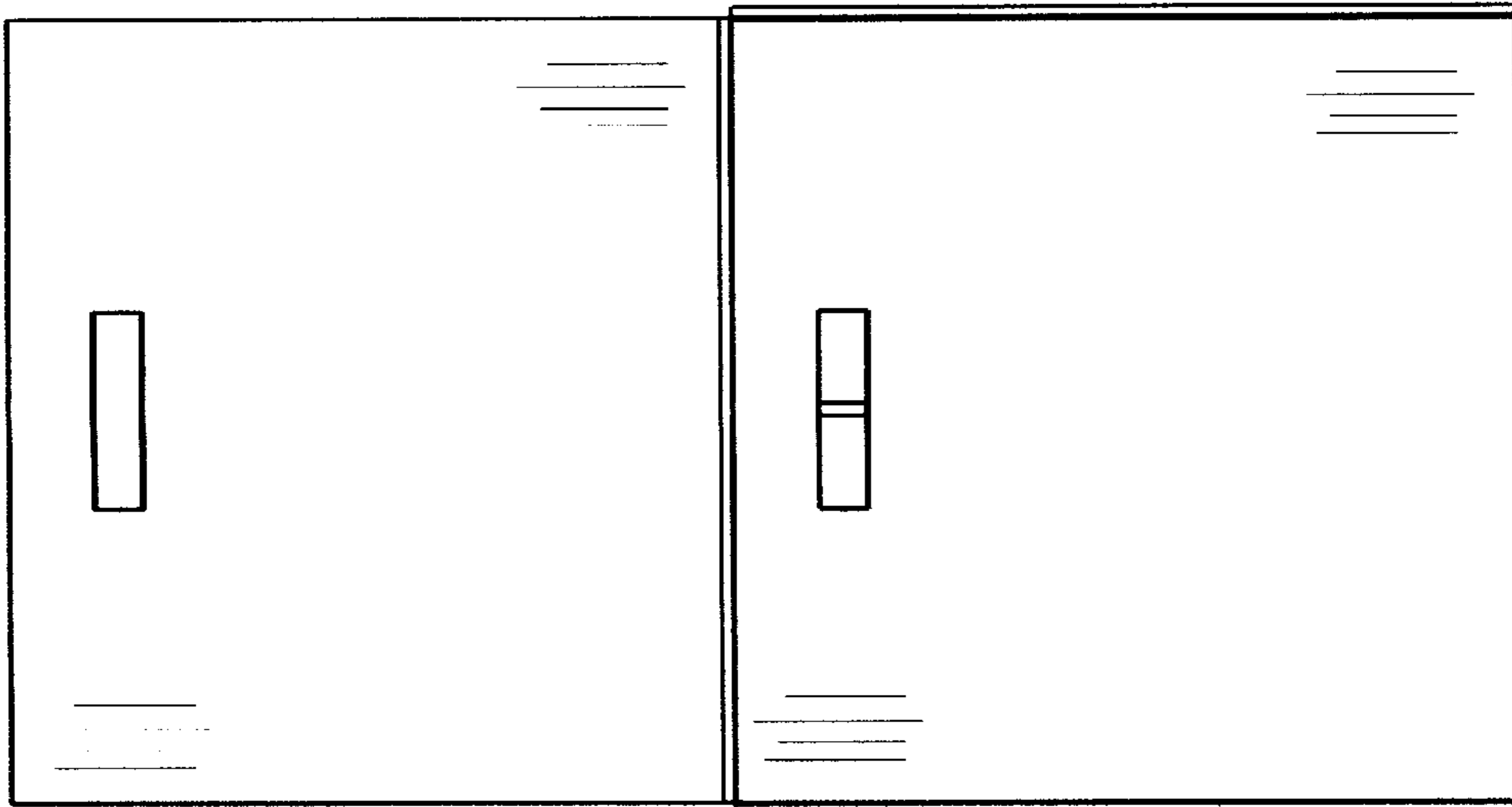


Fig. 1

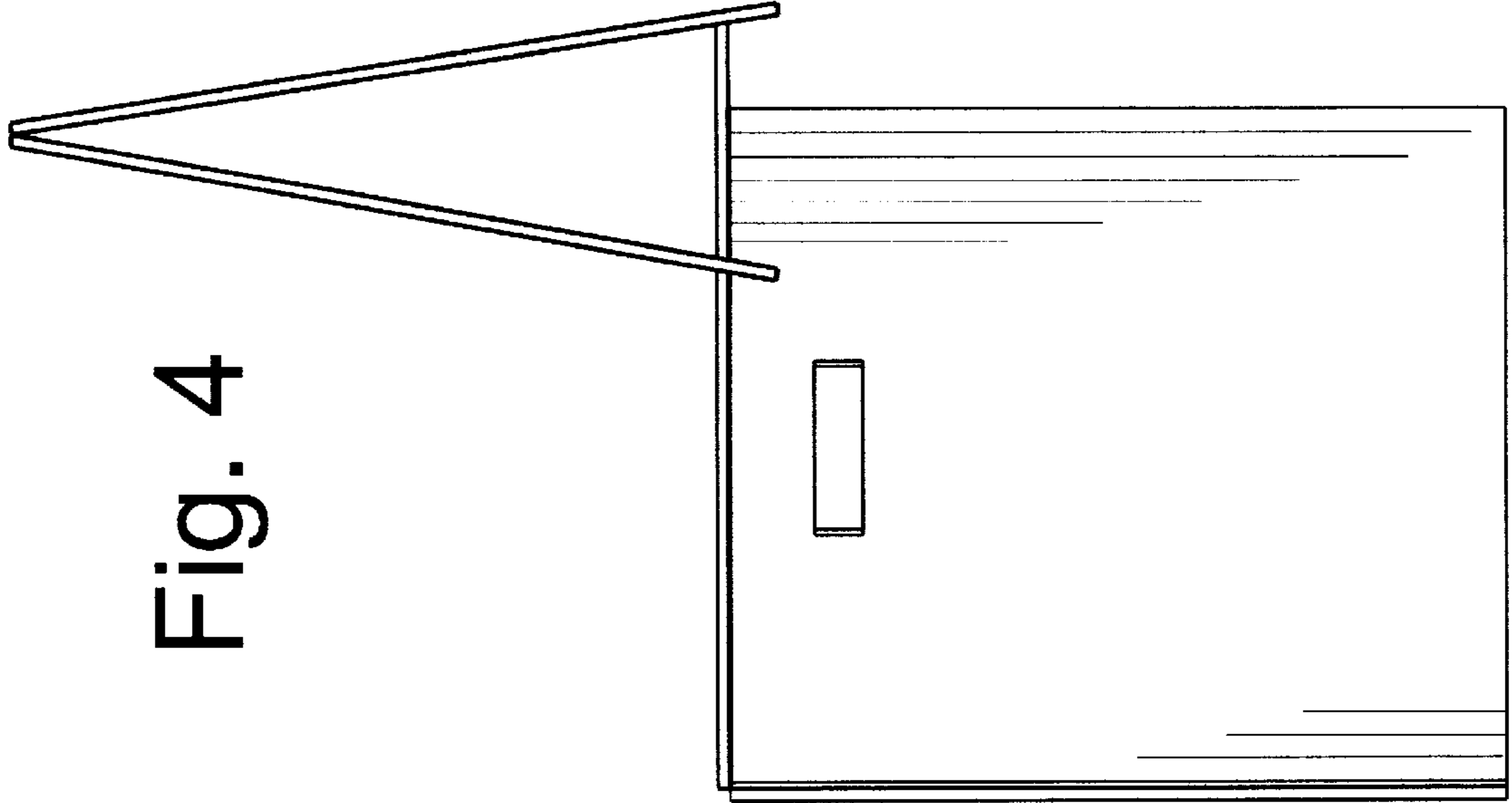


Fig. 4

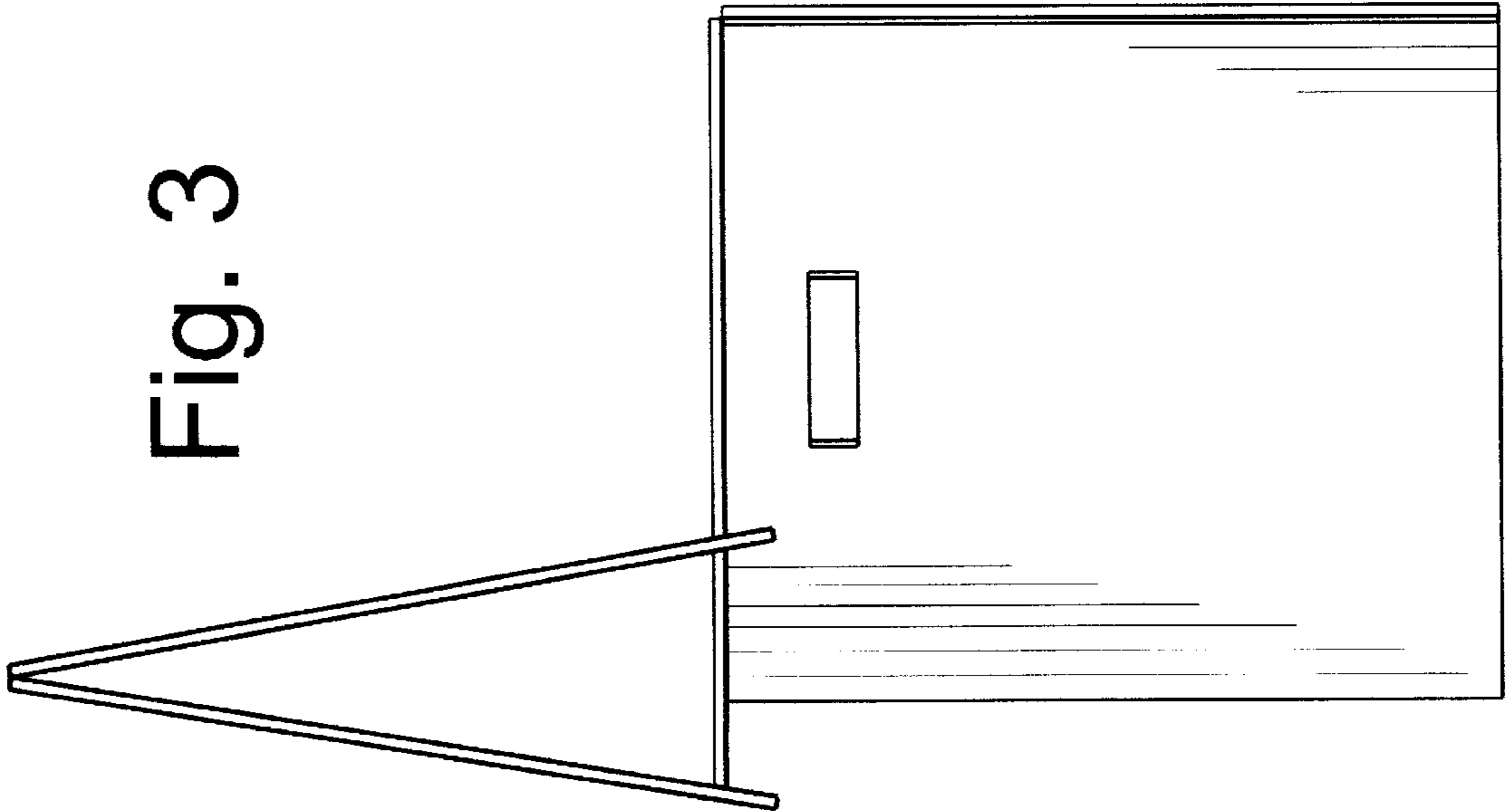


Fig. 3

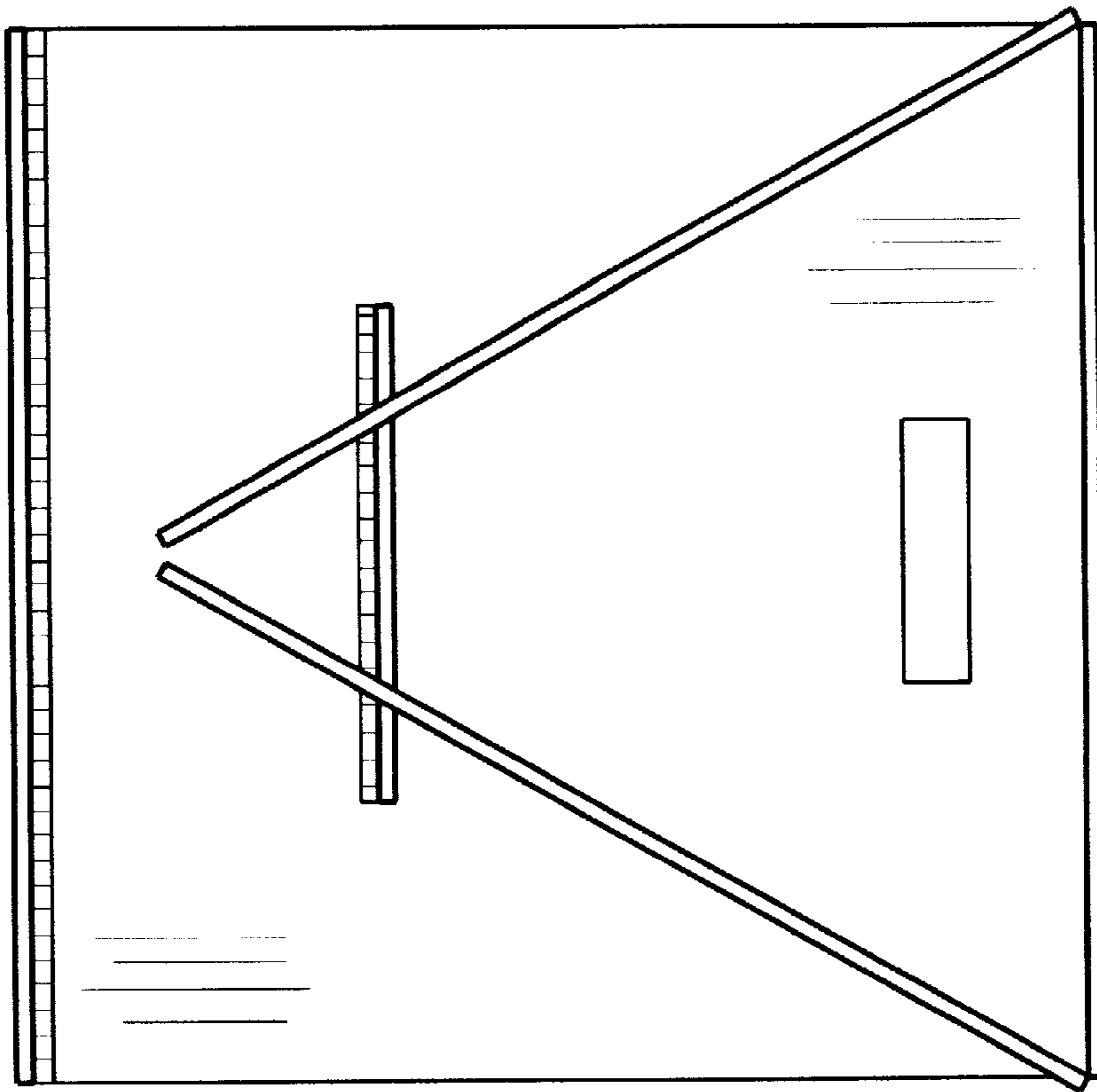


Fig. 5

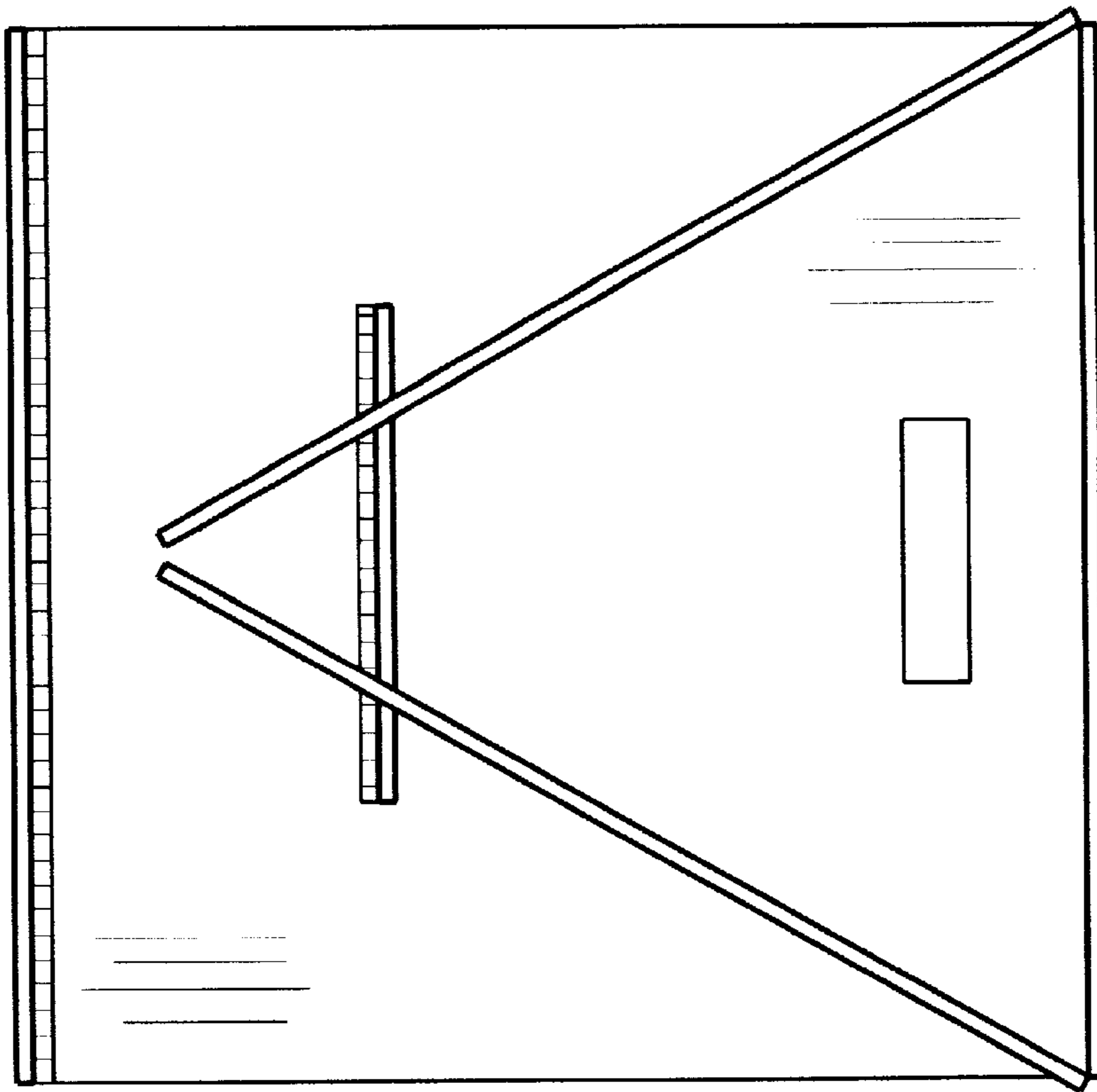


Fig. 6

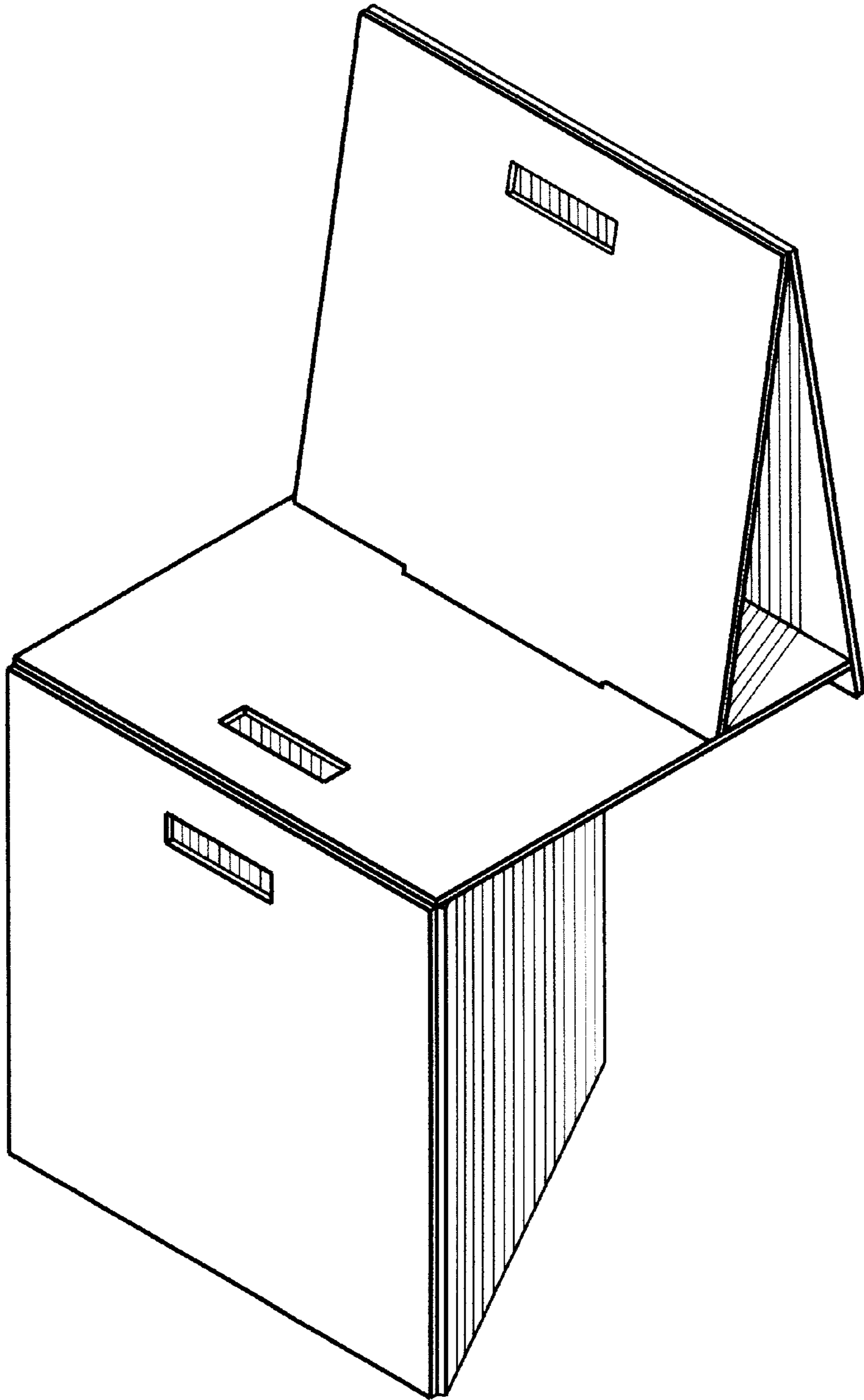


Fig. 7

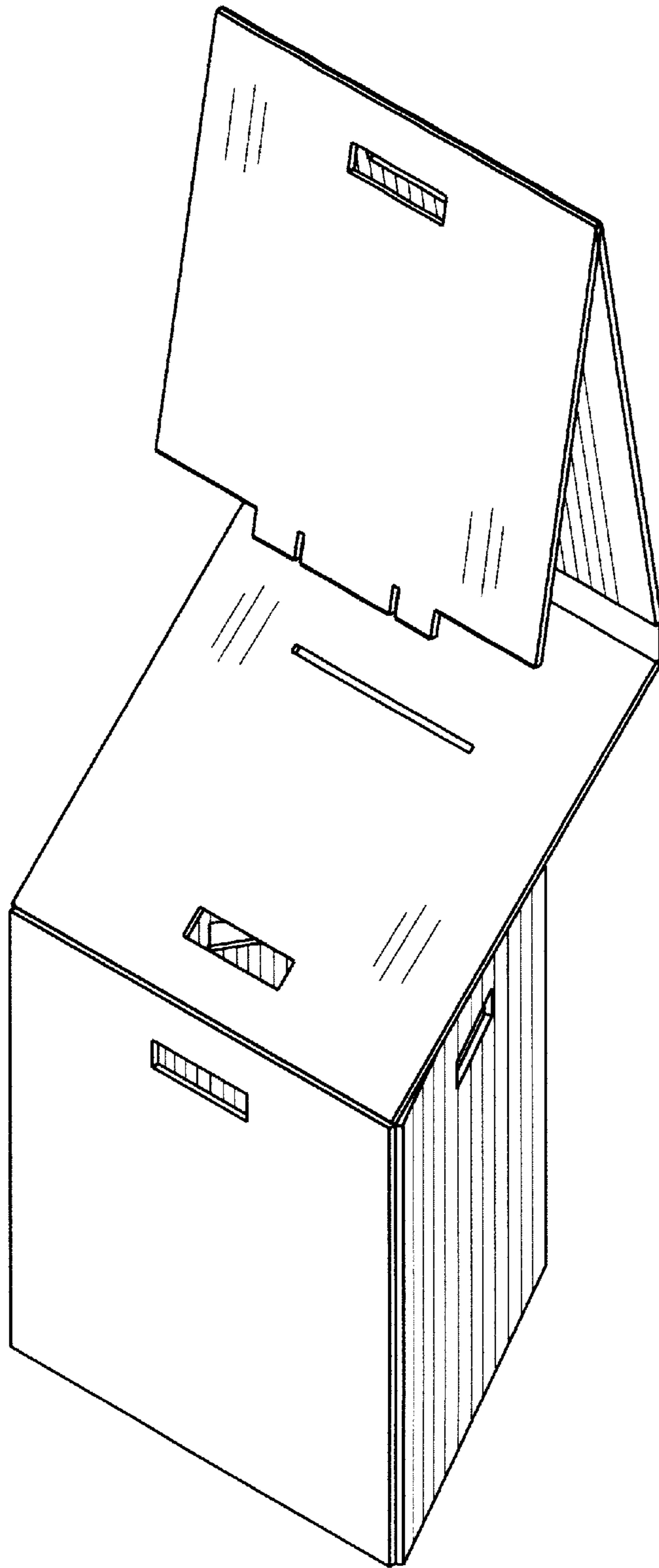


Fig. 8

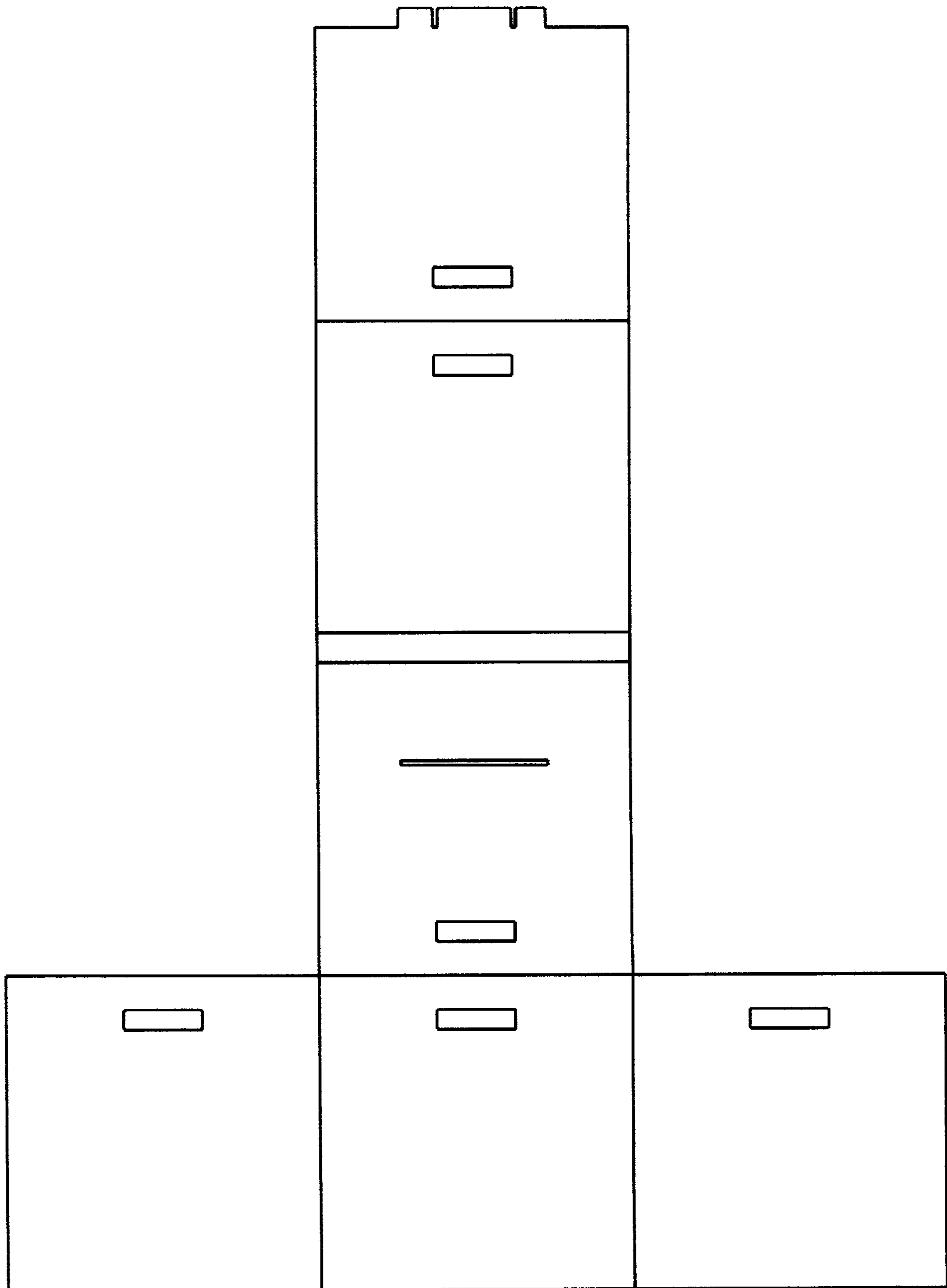


Fig. 9

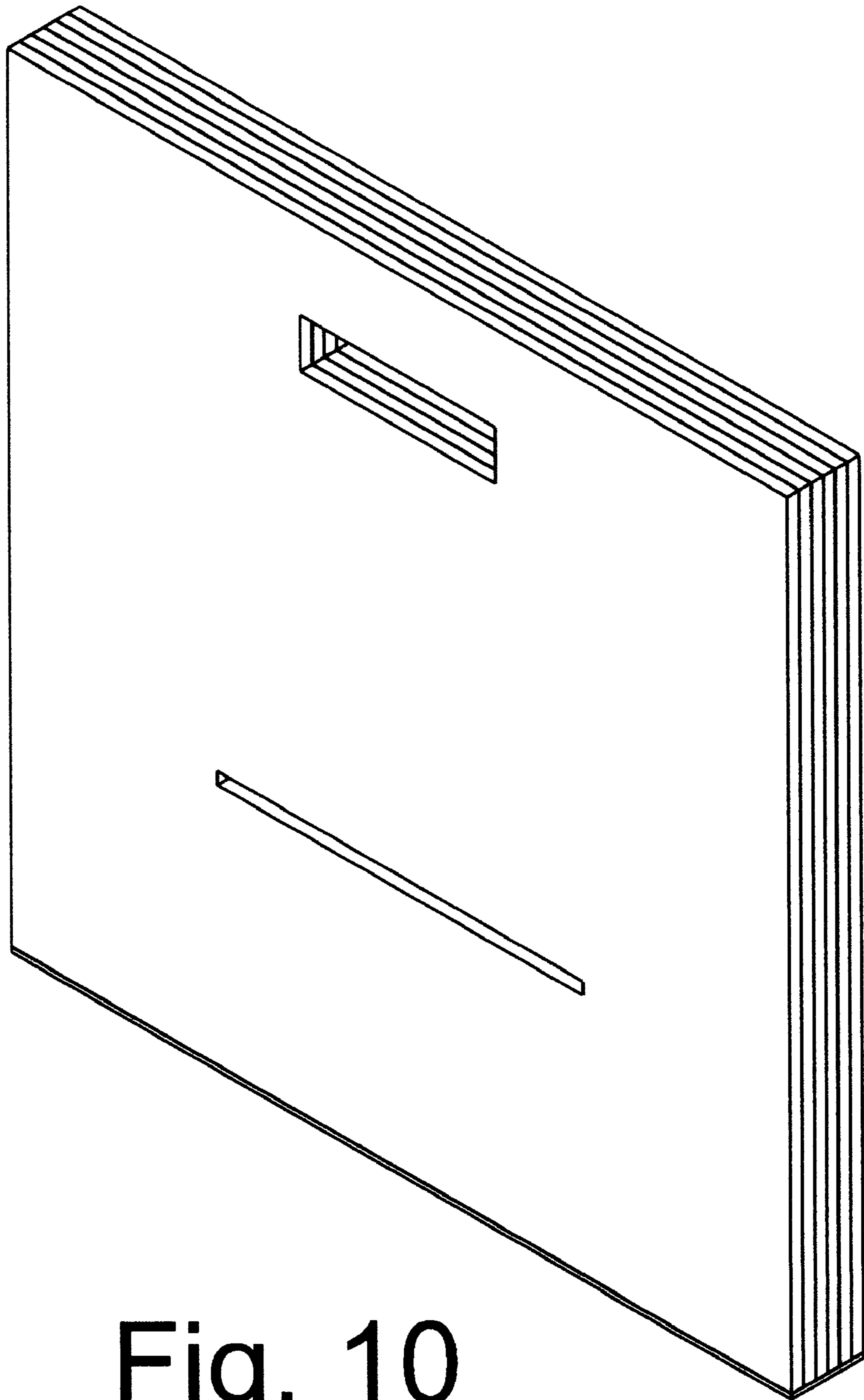


Fig. 10

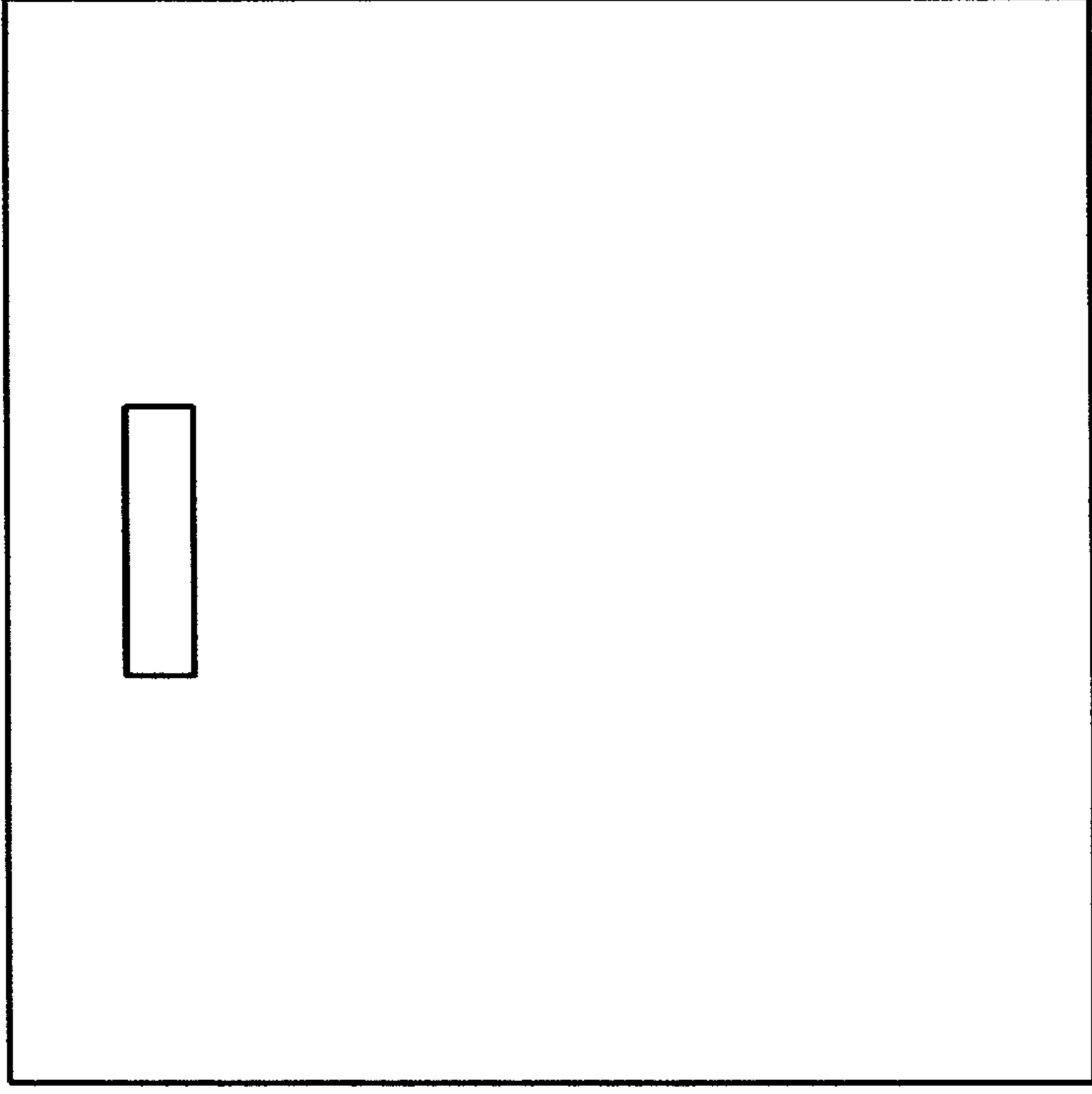


Fig. 12

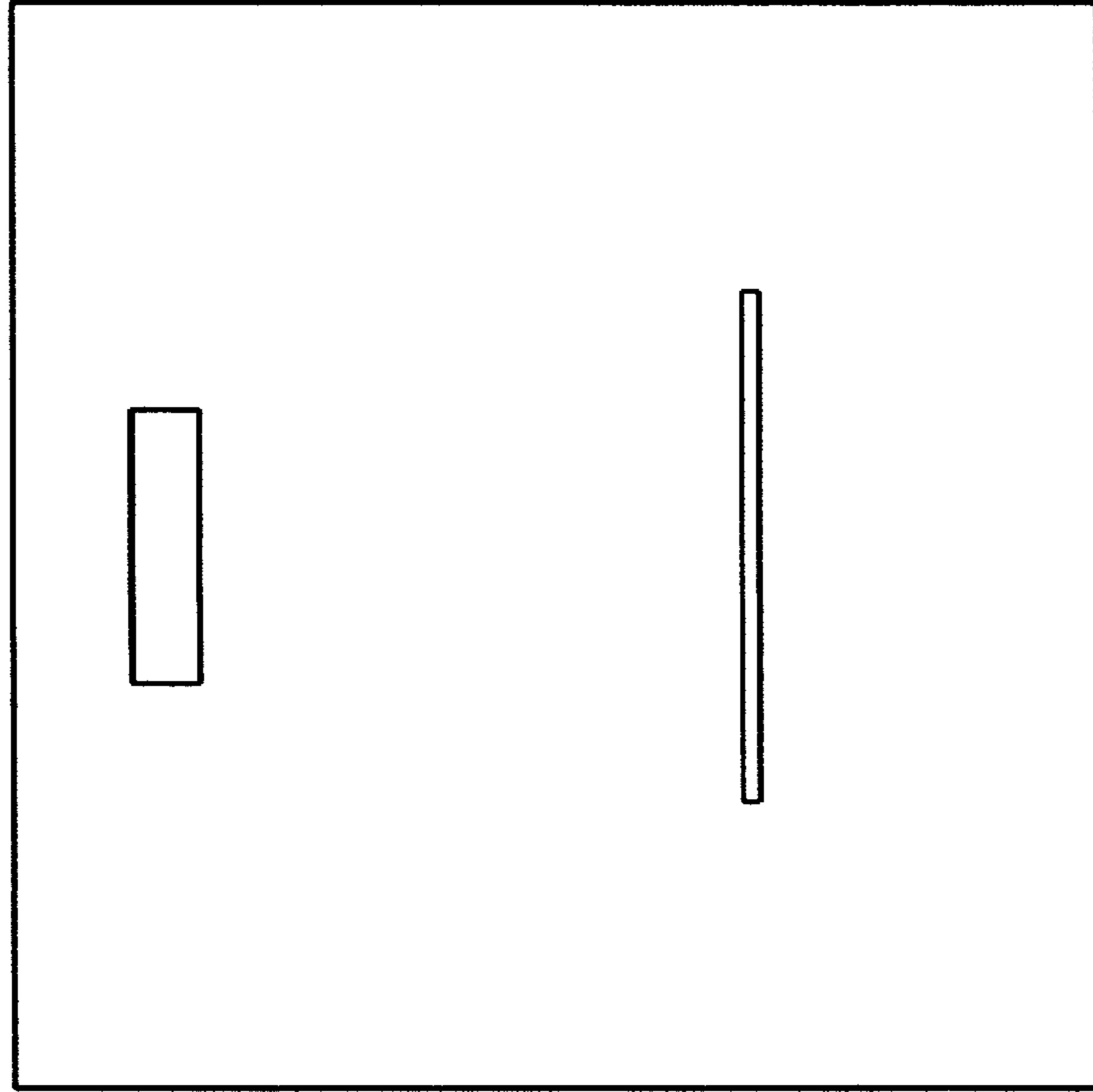


Fig. 11