



US00D456160S

(12) **United States Design Patent**
Van De Riet et al.

(10) **Patent No.:** **US D456,160 S**
(45) **Date of Patent:** **** Apr. 30, 2002**

(54) **CHAIR**

(75) Inventors: **Douglas M. Van De Riet**, Holland;
Jeffrey R. Oberlin, Fruitport; **Jason W. Carpenter**, Wyoming, all of MI (US);
Jeff Weber, Minneapolis, MN (US);
Todd D. Krupiczewicz, Caledonia, MI (US)

(73) Assignee: **Herman Miller, Inc.**, Zeeland, MI (US)

(**) Term: **14 Years**

(21) Appl. No.: **29/146,912**

(22) Filed: **Aug. 17, 2001**

Related U.S. Application Data

(62) Division of application No. 29/123,670, filed on May 22, 2000, now Pat. No. Des. 449,172.

(51) **LOC (7) Cl.** **06-01**

(52) **U.S. Cl.** **D6/366**

(58) **Field of Search** D6/334, 364, 365,
D6/366, 367, 500, 501, 502; 248/188.7;
297/411.2, 411.27, 411.28

(56) **References Cited**

U.S. PATENT DOCUMENTS

1,930,021 A * 10/1933 Powell 248/188.7
D309,385 S * 7/1990 Buhk D6/366
D346,072 S * 4/1994 Zapf D6/366

D391,089 S * 2/1998 Chu D6/366
D401,453 S * 11/1998 Holt D6/502
D422,802 S * 4/2000 Deacon D6/366
D425,322 S * 5/2000 Chu D6/366

* cited by examiner

Primary Examiner—Gary D. Watson

(74) *Attorney, Agent, or Firm*—Brinks Hofer Gilson & Lione

(57) **CLAIM**

The ornamental design for a chair, as shown.

DESCRIPTION

FIG. 1 is a perspective view of a first embodiment of a chair;
FIG. 2 is a front view of the first embodiment;
FIG. 3 is a right view of the first embodiment;
FIG. 4 is a left view of the first embodiment;
FIG. 5 is a rear view of the first embodiment;
FIG. 6 is a top view of the first embodiment;
FIG. 7 is a bottom view of the first embodiment;
FIG. 8 is a perspective view of a second embodiment of the chair;
FIG. 9 is a front view of the second embodiment;
FIG. 10 is a right view of the second embodiment;
FIG. 11 is a left view of the second embodiment;
FIG. 12 is a rear view of the second embodiment;
FIG. 13 is a top view of the second embodiment; and,
FIG. 14 is a bottom view of the second embodiment.

1 Claim, 8 Drawing Sheets

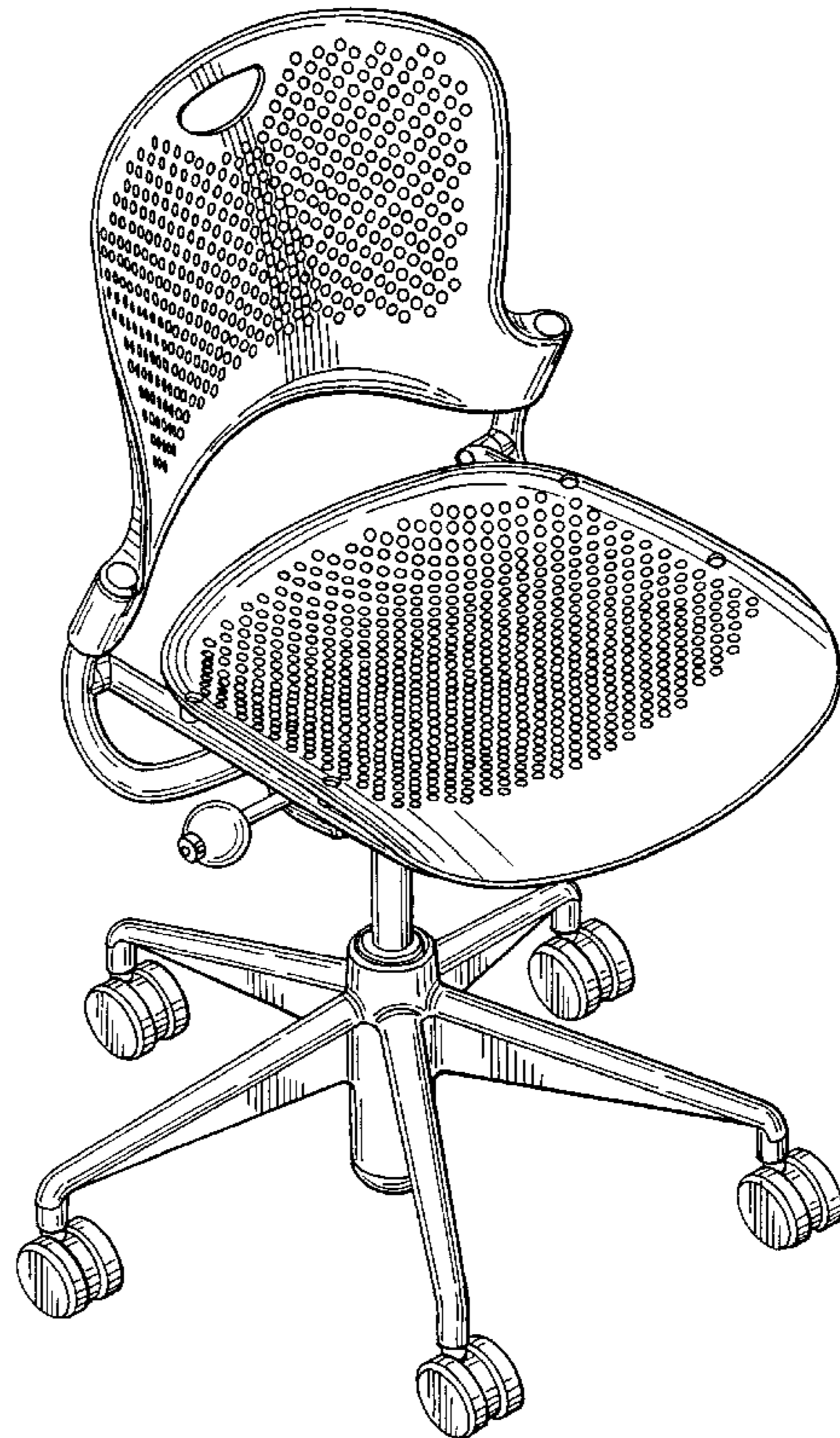
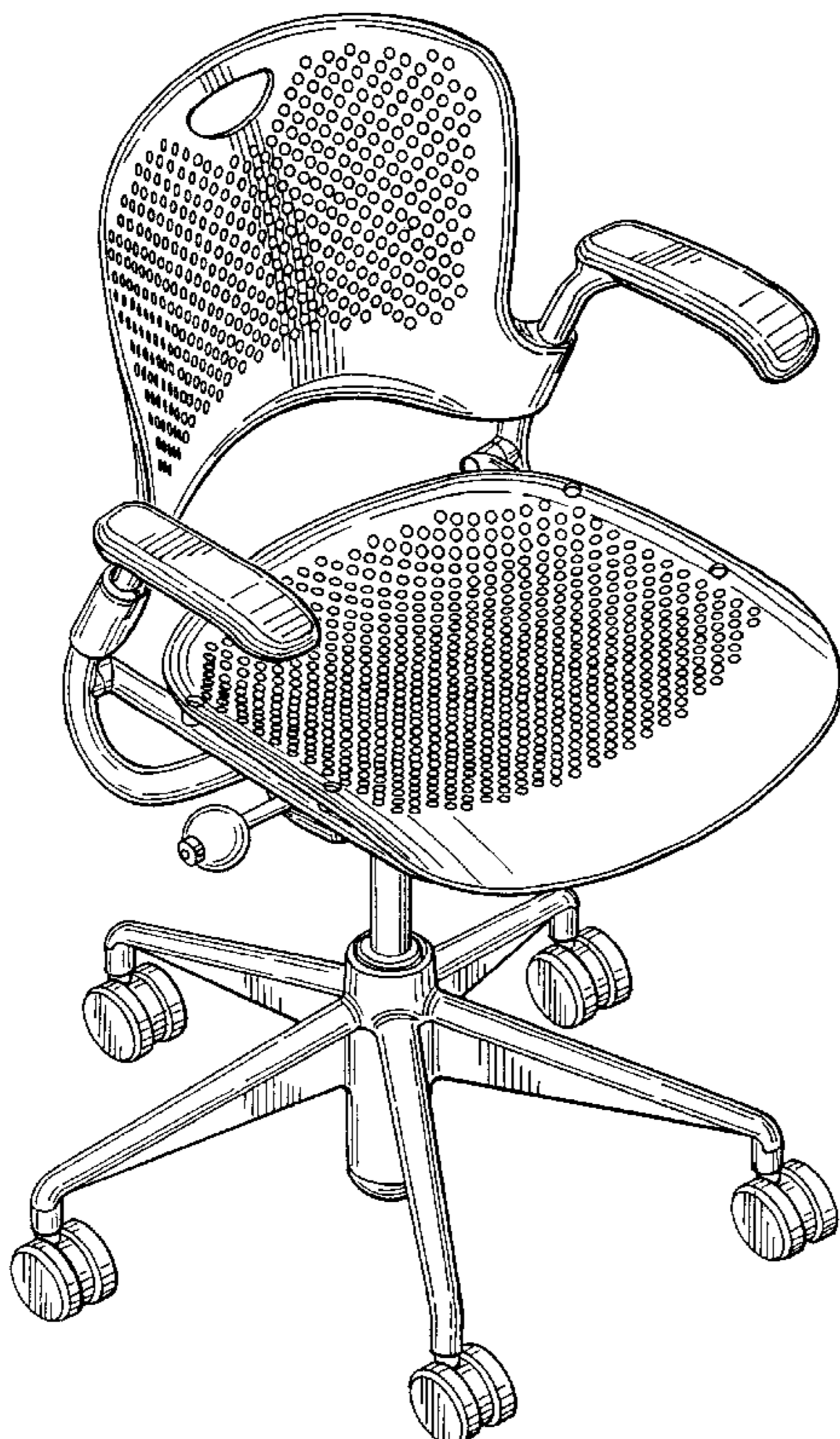
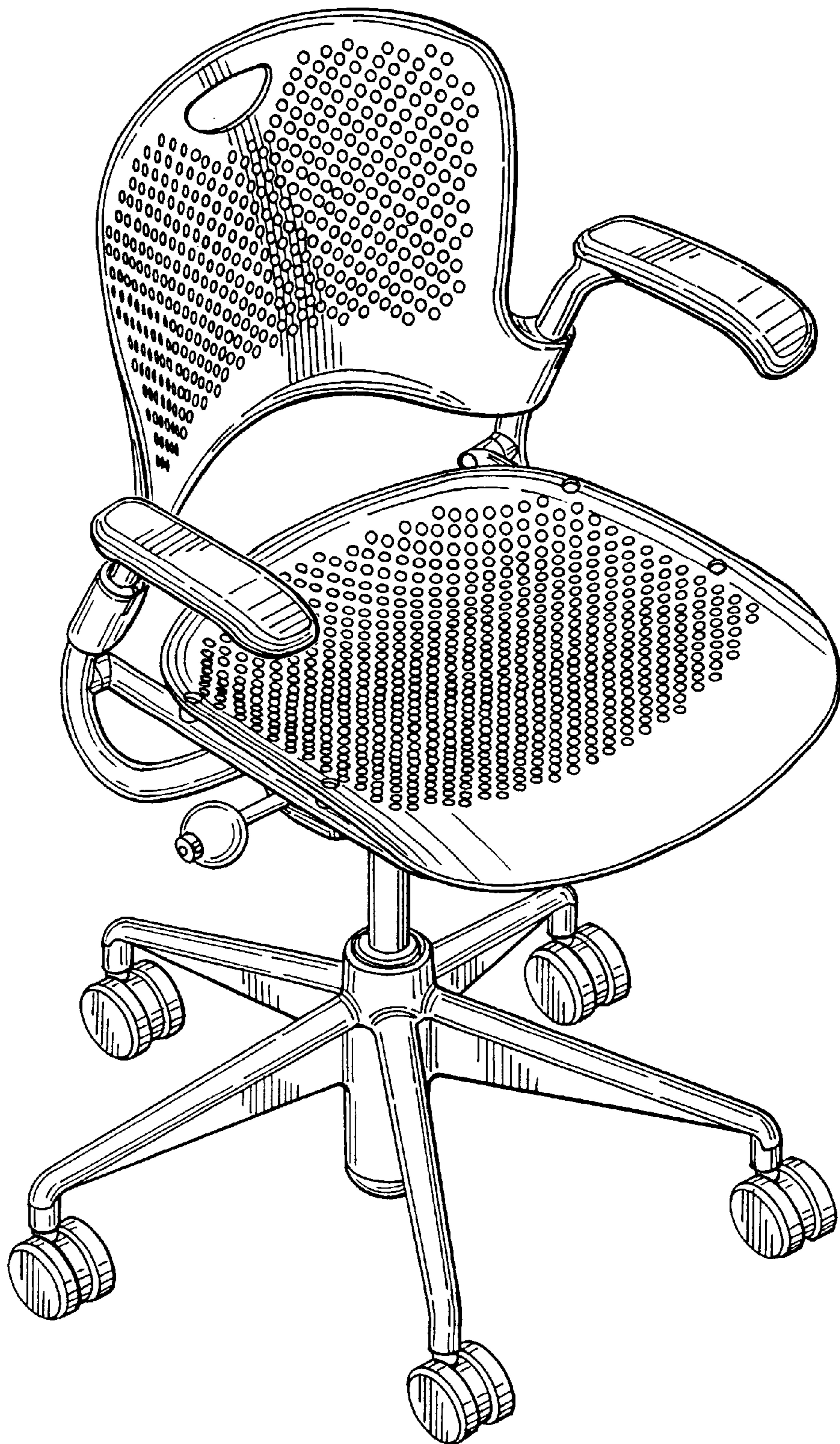


FIG. 1



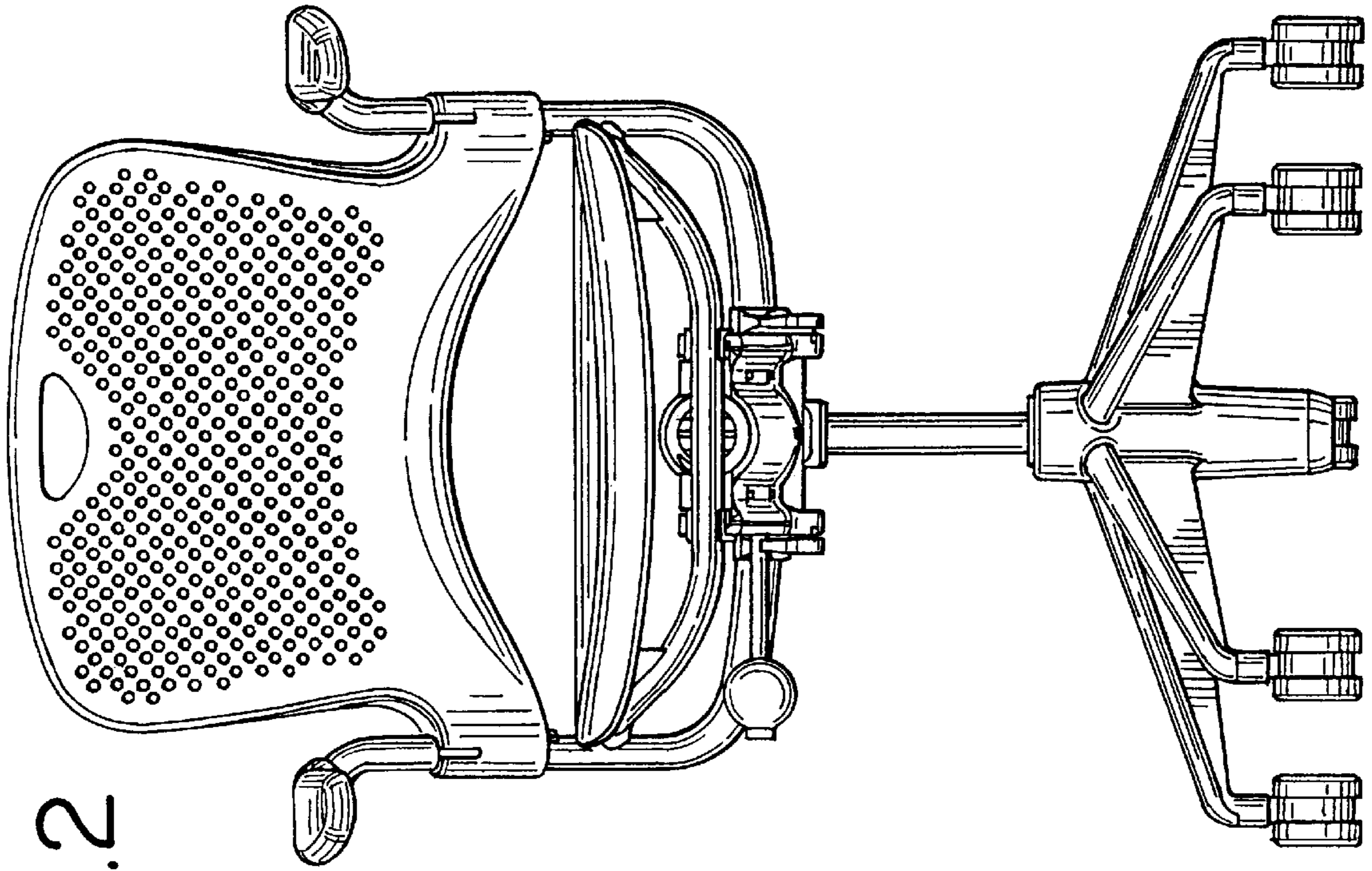


FIG. 2

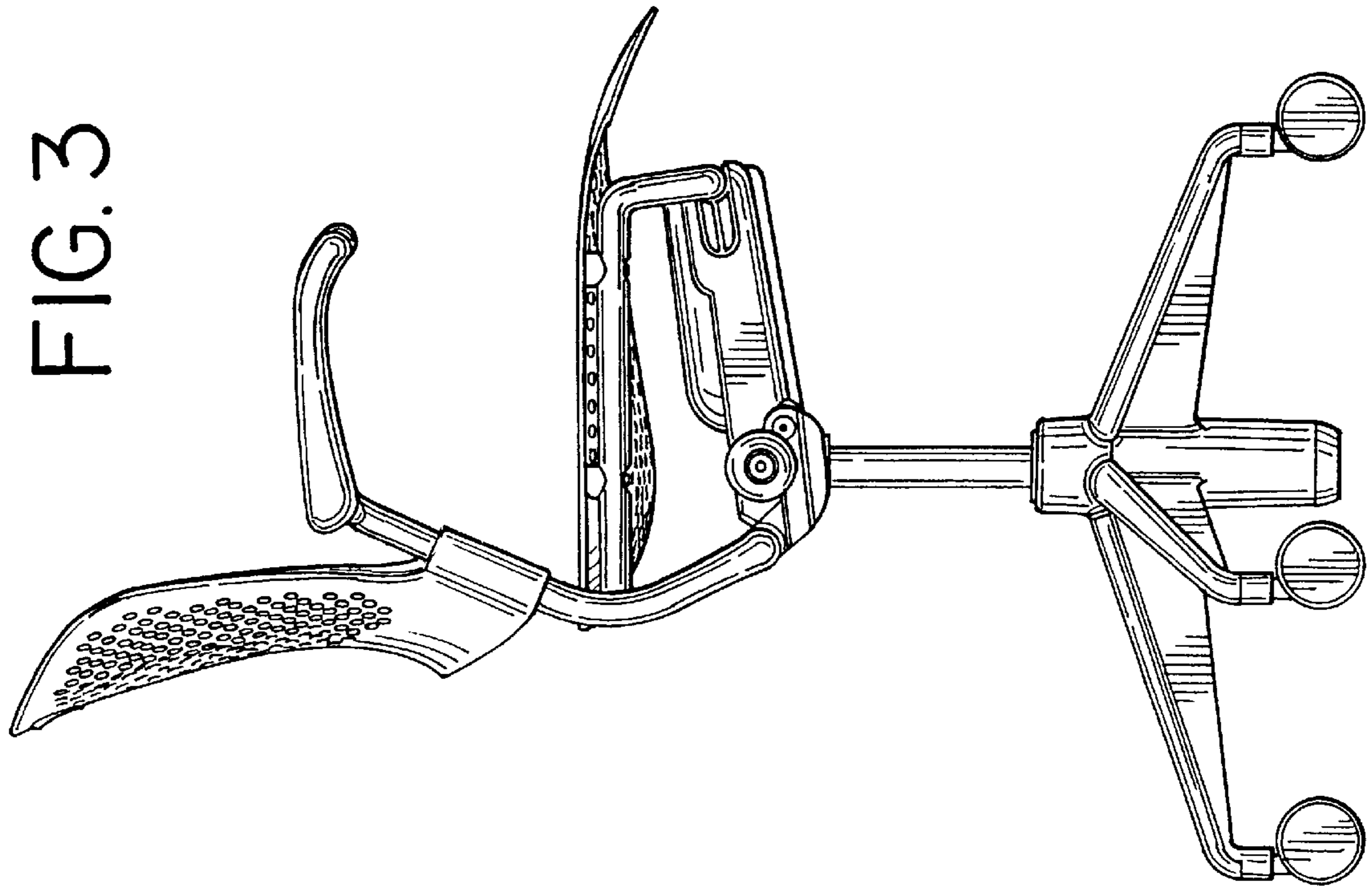


FIG. 3

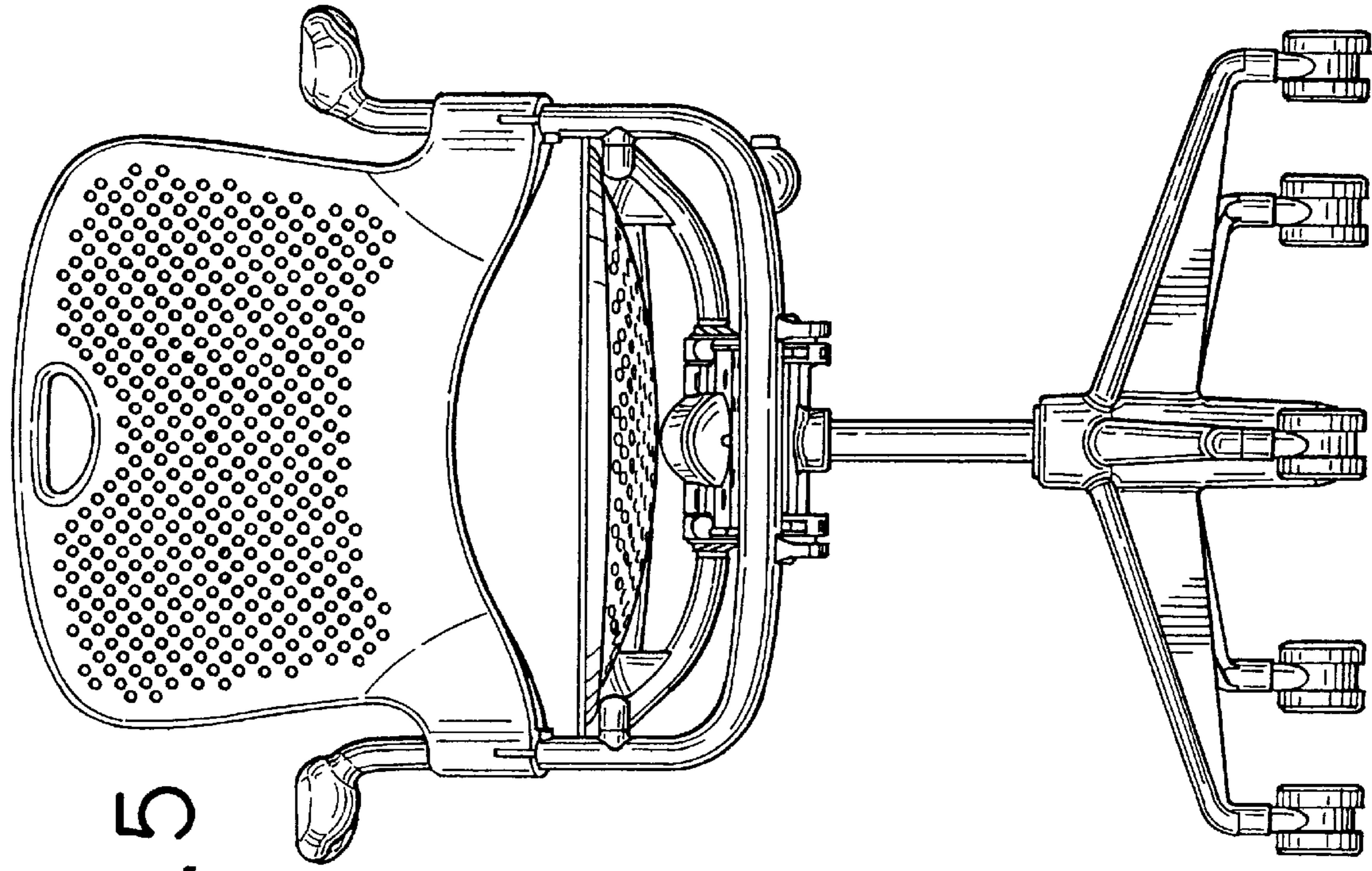


FIG. 5

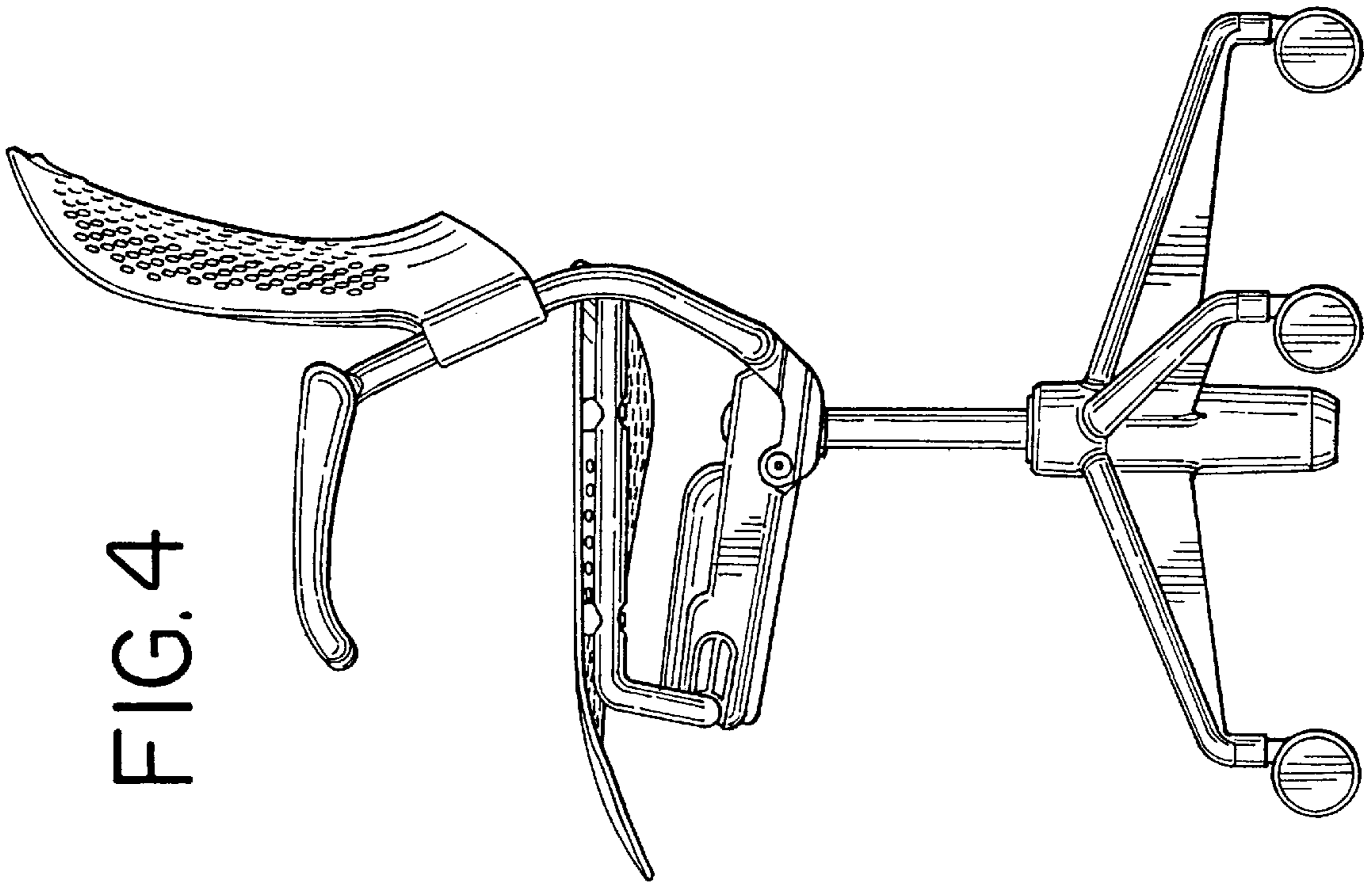


FIG. 4

FIG. 6

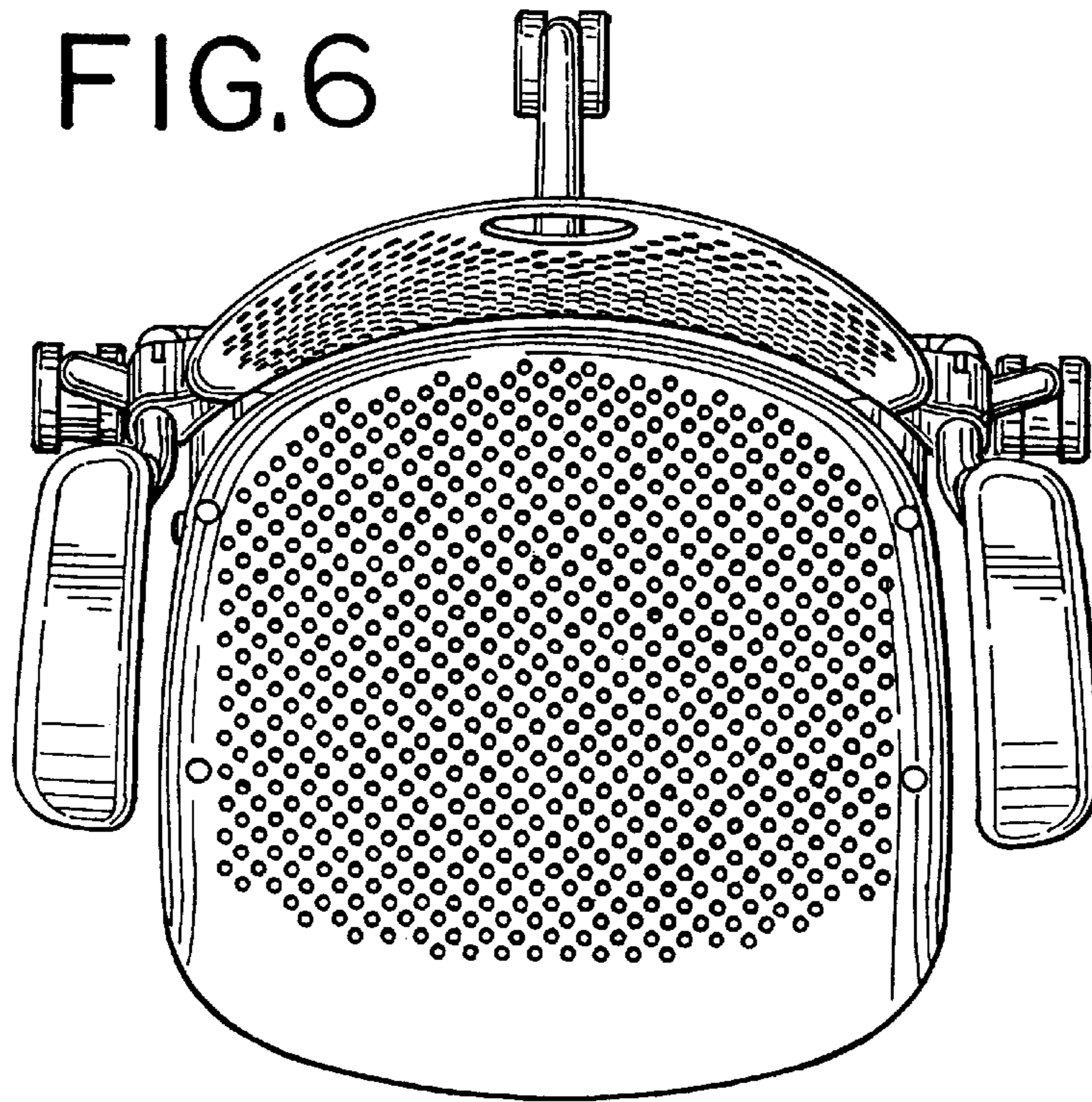


FIG. 7

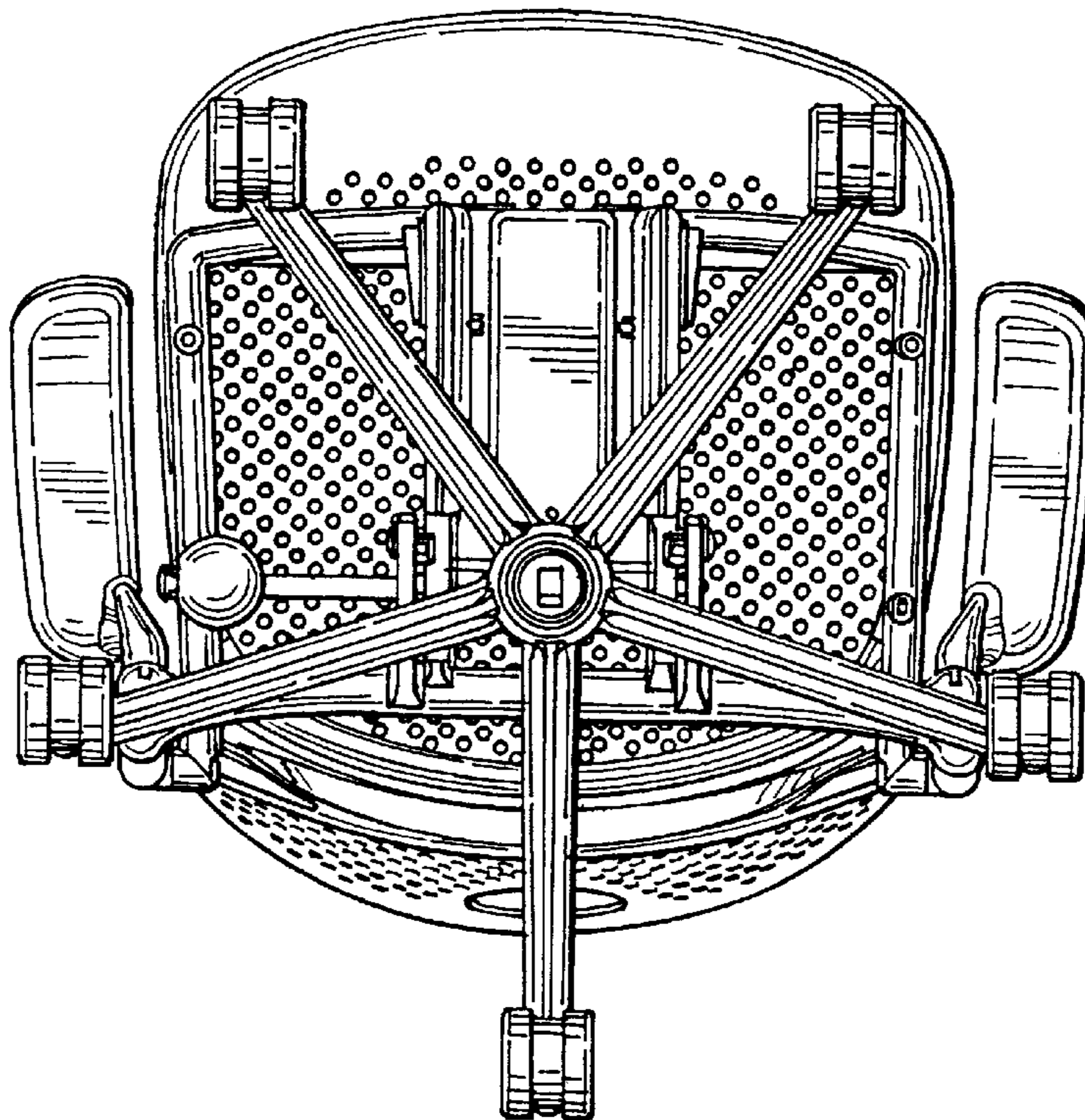
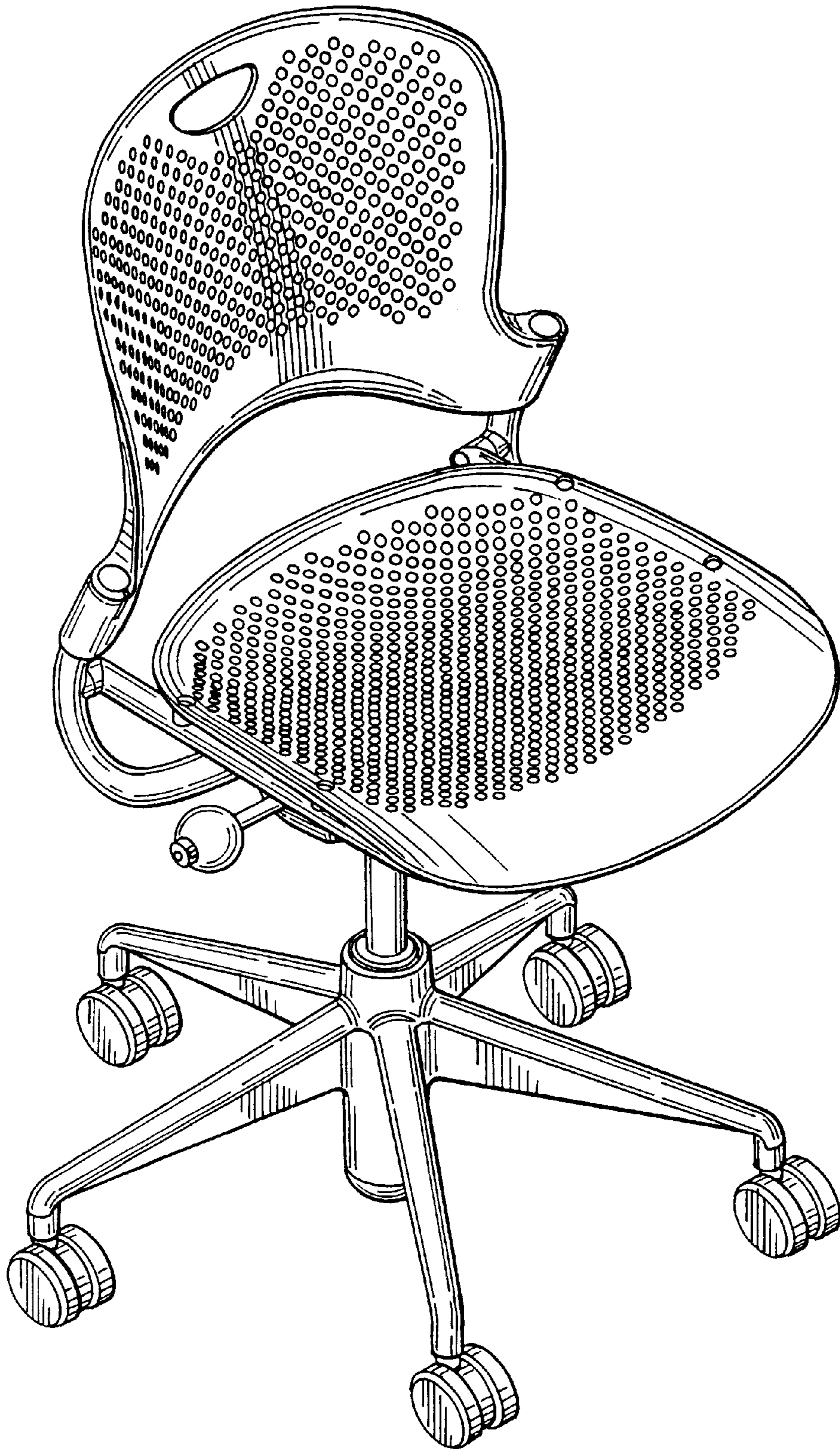


FIG. 8



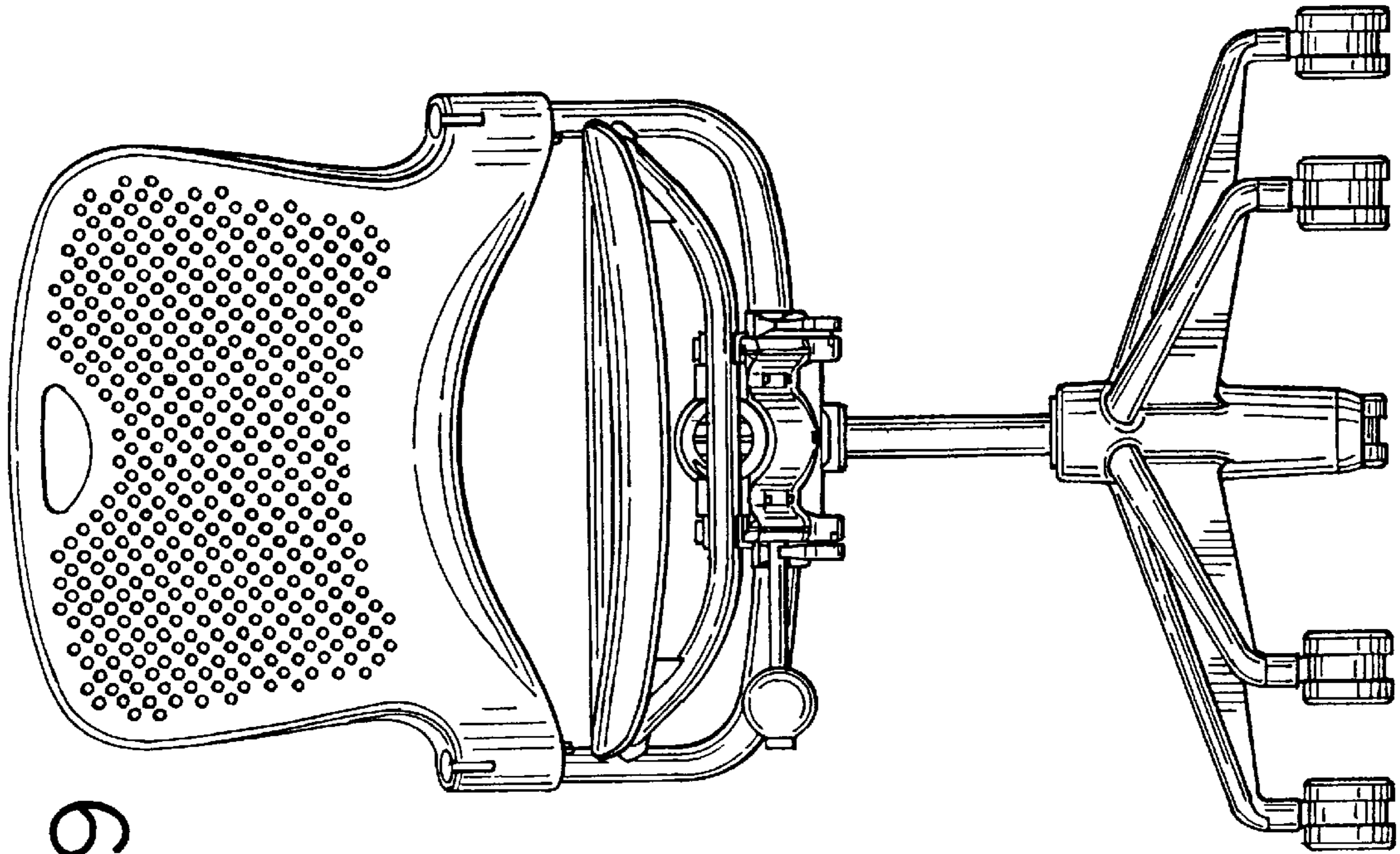


FIG. 9

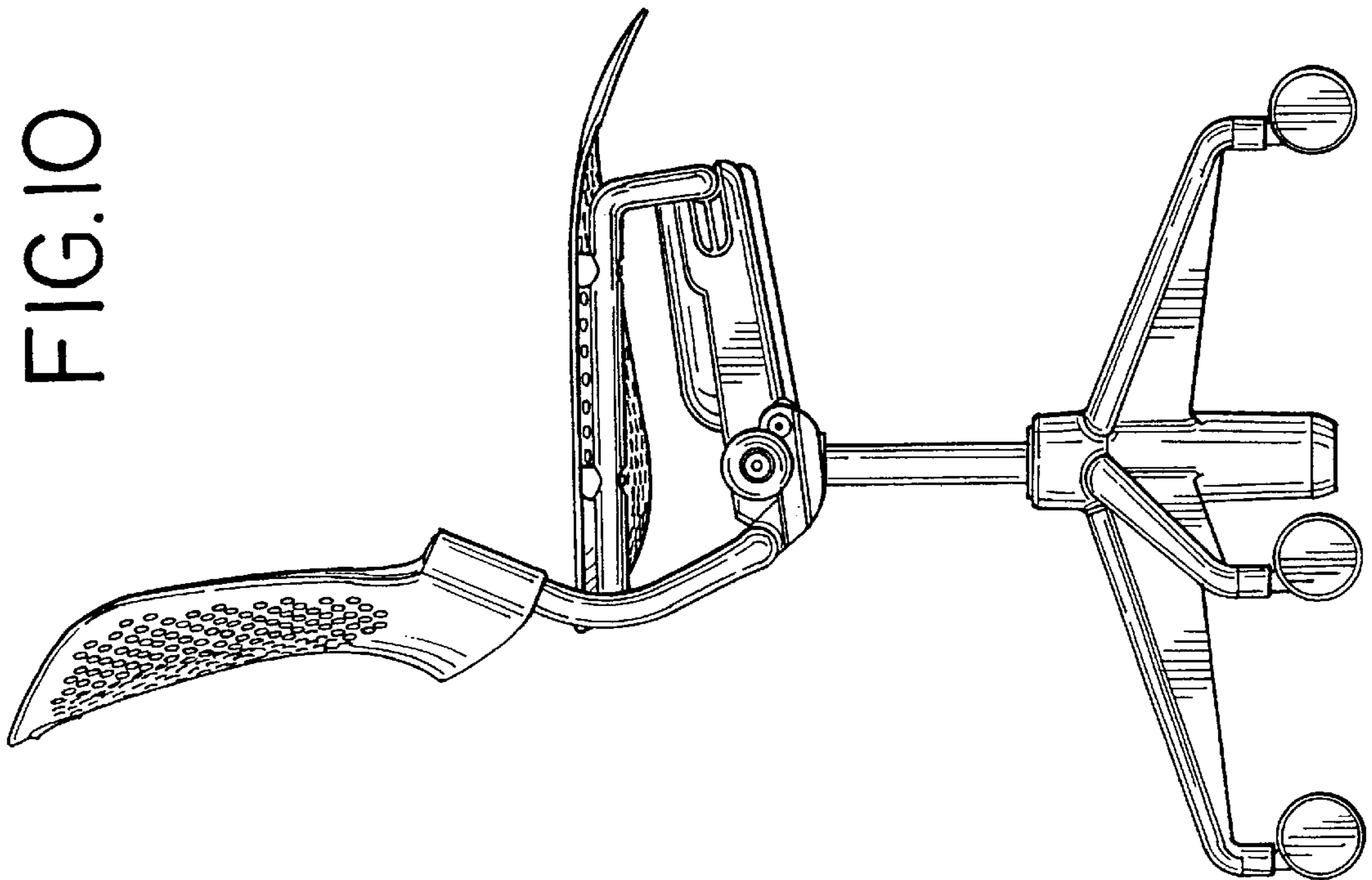


FIG. 10

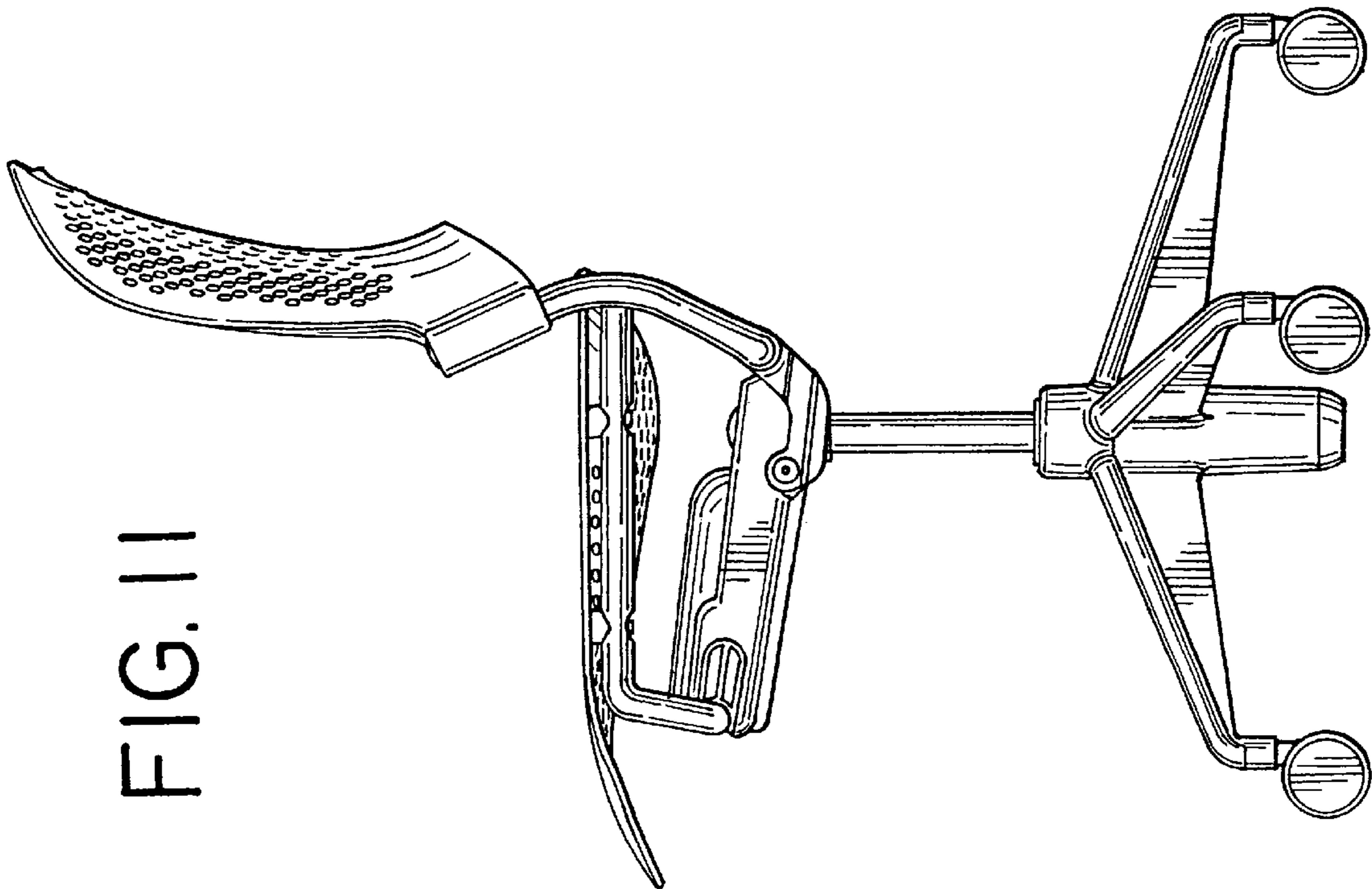
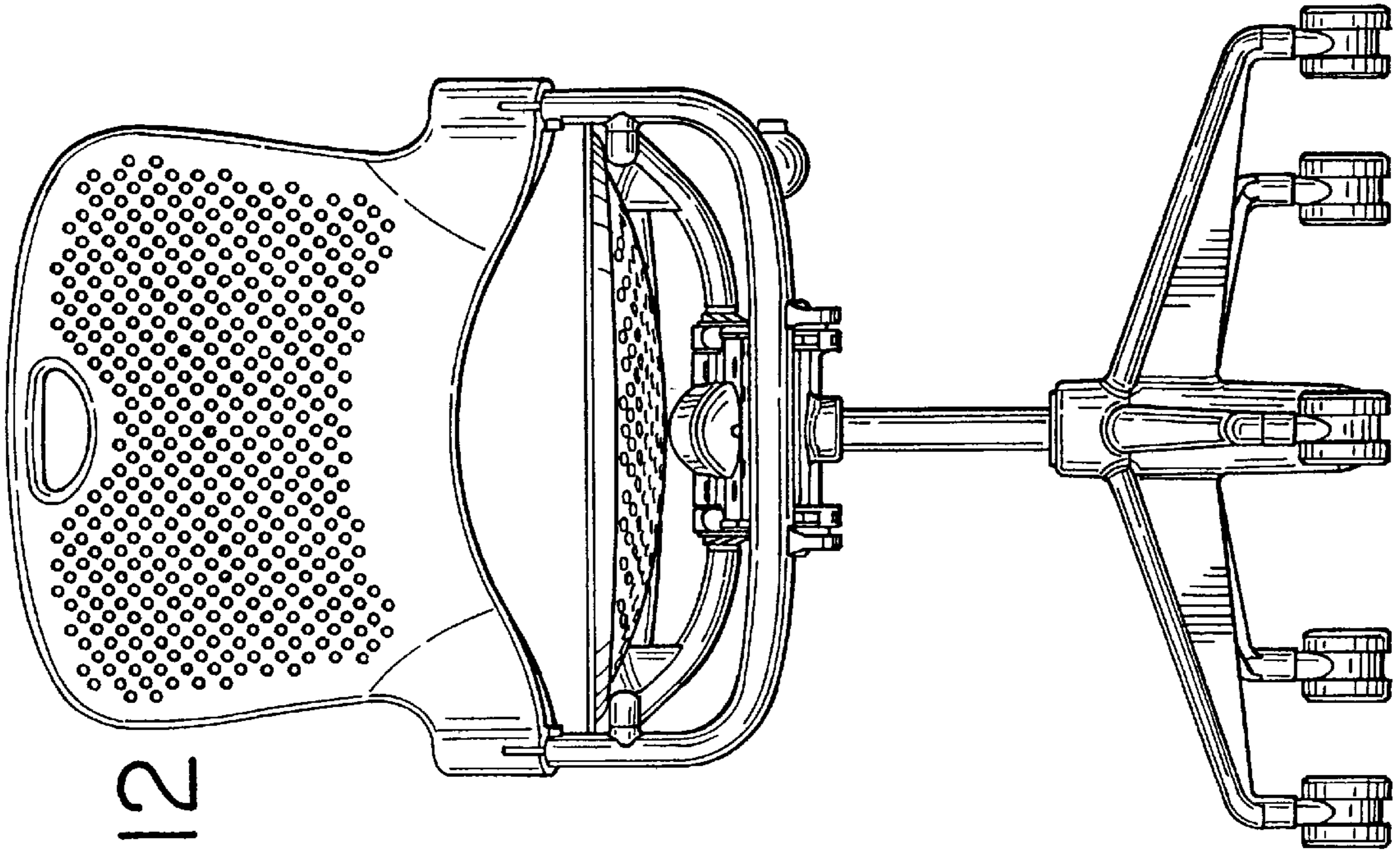


FIG. 12



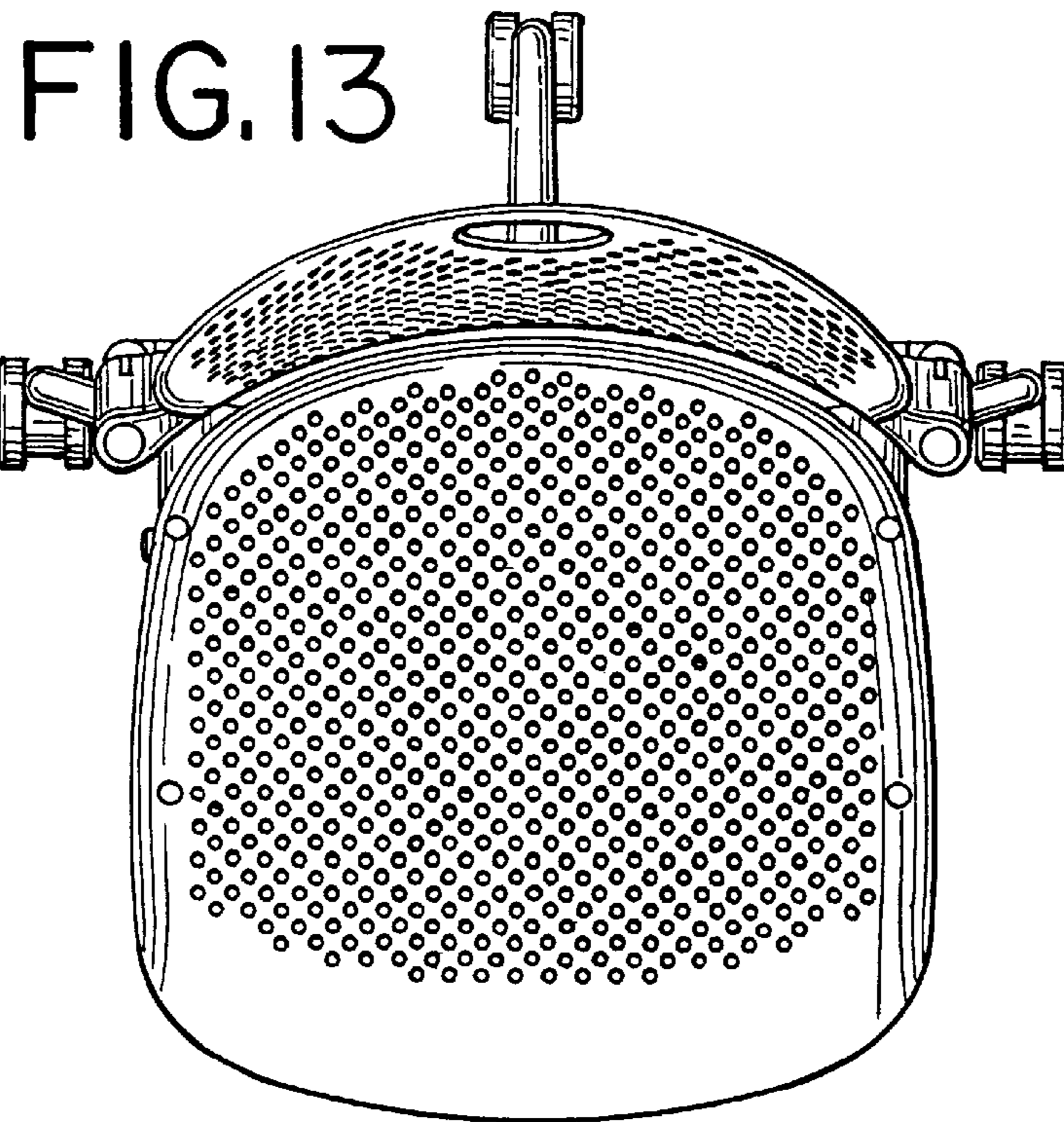


FIG. 14

