



US00D456159S

(12) **United States Design Patent**  
**Ball et al.**

(10) **Patent No.:** **US D456,159 S**

(45) **Date of Patent:** **\*\* Apr. 30, 2002**

(54) **CHAIR**

(75) Inventors: **Douglas C. Ball**, Senneville; **Leon Goldick**, Beaconsville; **Alain Deslauriers**, Ile Laval; **Jeff G. Sokalski**, Montreal, all of (CA)

(73) Assignee: **Steelcase Development Corporation**, Caledonia, MI (US)

(\*\*) Term: **14 Years**

(21) Appl. No.: **29/124,287**

(22) Filed: **May 25, 2000**

(51) **LOC (7) Cl.** ..... **06-01**

(52) **U.S. Cl.** ..... **D6/366**

(58) **Field of Search** ..... D6/334, 335, 364, D6/365, 366, 367, 368, 374, 500, 501, 502; 297/411.2, 411.27, 411.36, DIG. 2, 452.42, 452.46

(56) **References Cited**

**U.S. PATENT DOCUMENTS**

D234,414 S	*	3/1975	Becquet	.....	D6/368
D235,495 S	*	6/1975	Laylon	.....	D6/374
D273,728 S	*	5/1984	Caffiero	.....	D6/366
4,660,887 A		4/1987	Fleming et al.		
D327,781 S	*	7/1992	Citterio	.....	D6/366
D360,316 S	*	7/1995	Hodge et al.	.....	D6/366
D372,799 S	*	8/1996	Orians et al.	.....	D6/366
5,630,647 A		5/1997	Heidmann et al.		
D379,567 S	*	6/1997	Grivet	.....	D6/500
D383,323 S	*	9/1997	Dammermann et al.	.....	D6/366

D390,712 S	*	2/1998	Koepke et al.	.....	D6/366
D404,229 S	*	1/1999	Dammermann et al.	.....	D6/500
5,871,258 A		2/1999	Bathey et al.		
D407,911 S	*	4/1999	Bräuning	.....	D6/366
D410,342 S	*	6/1999	Dammermann et al.	.....	D6/366
D411,928 S	*	7/1999	Ritch et al.	.....	D6/500
D414,349 S		9/1999	Jenkins et al.		
D417,792 S	*	12/1999	Hansen et al.	.....	D6/366
D417,793 S	*	12/1999	Ritch et al.	.....	D6/366
D418,685 S	*	1/2000	Kaczmarek	.....	D6/366
D422,802 S	*	4/2000	Deacon	.....	D6/366
D436,259 S	*	1/2001	Nagamitsu	.....	D6/366
D436,768 S	*	1/2001	Jenkins et al.	.....	D6/500
D437,497 S	*	2/2001	Bräuning	.....	D6/366
D437,701 S	*	2/2001	Bellini et al.	.....	D6/366

\* cited by examiner

*Primary Examiner*—Gary D. Watson

(74) *Attorney, Agent, or Firm*—Price Heneveld Cooper DeWitt & Litton

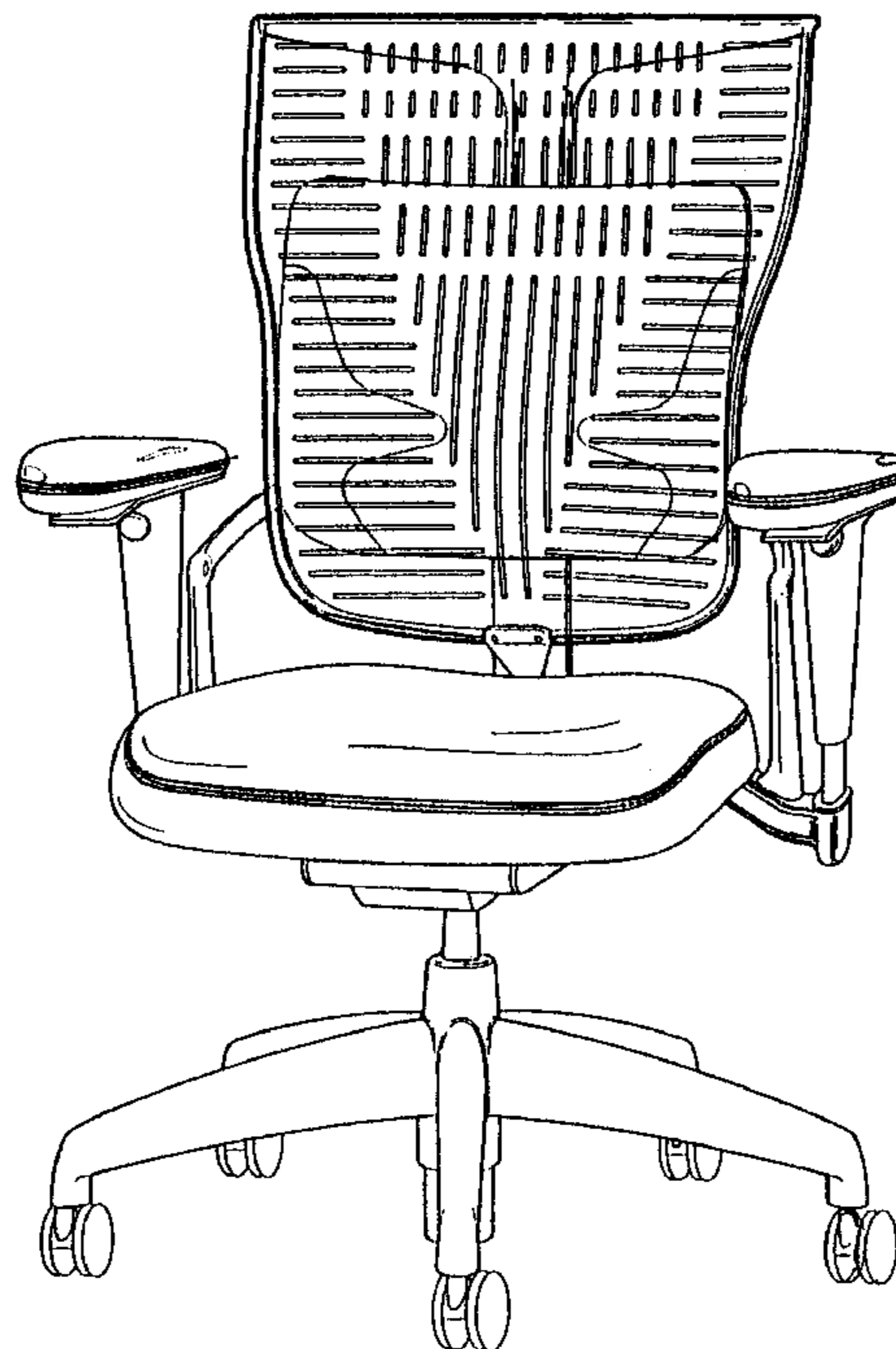
(57) **CLAIM**

The ornamental design for a chair, as shown and described.

**DESCRIPTION**

FIG. 1 is a perspective view of a chair embodying the present invention;  
FIG. 2 is a front view of FIG. 1;  
FIG. 3 is a right side view of FIG. 1, the left side view being a mirror image of the right side;  
FIG. 4 is a top view of FIG. 1; and,  
FIG. 5 is a rear view of FIG. 1.

**1 Claim, 2 Drawing Sheets**



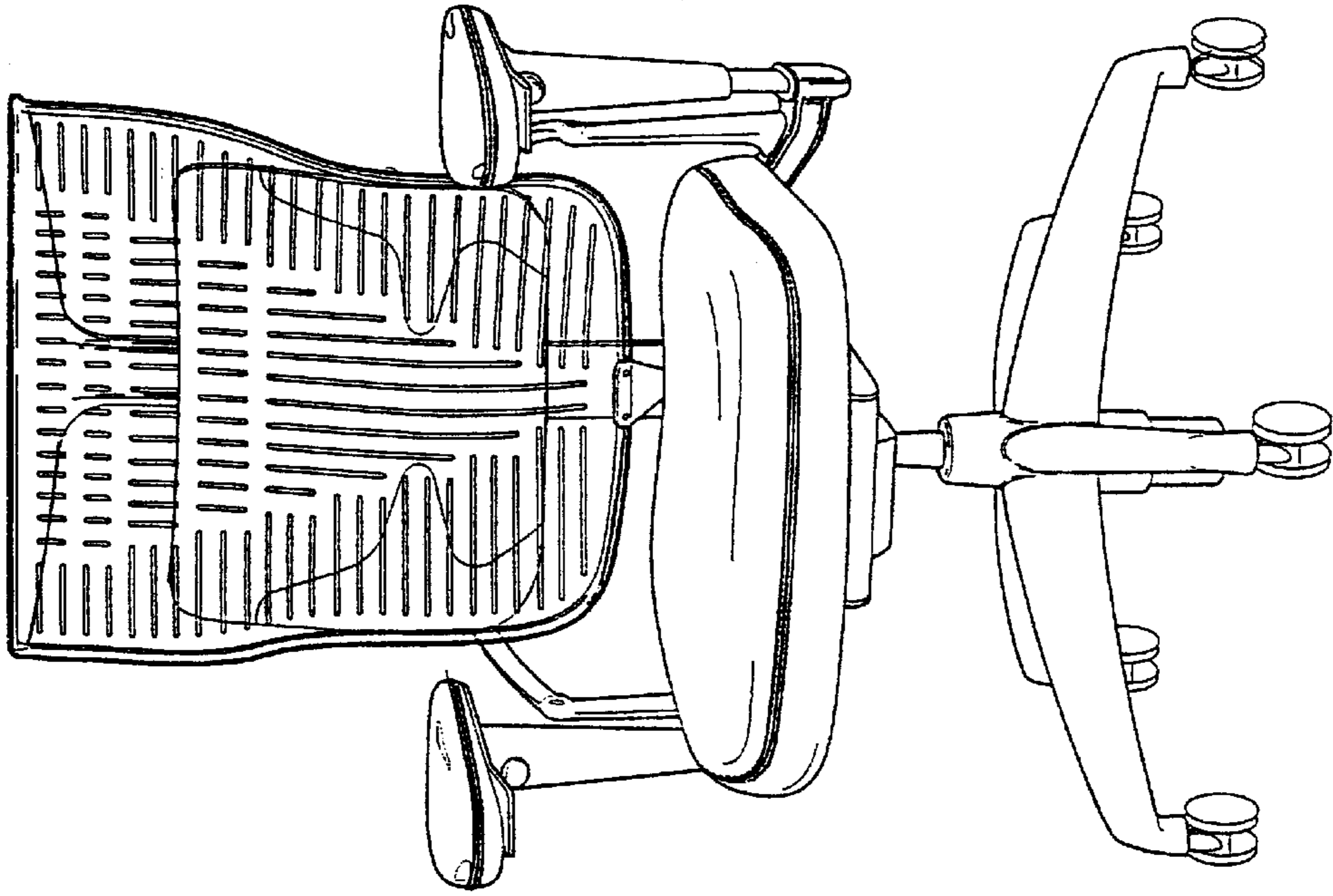


Fig. 1

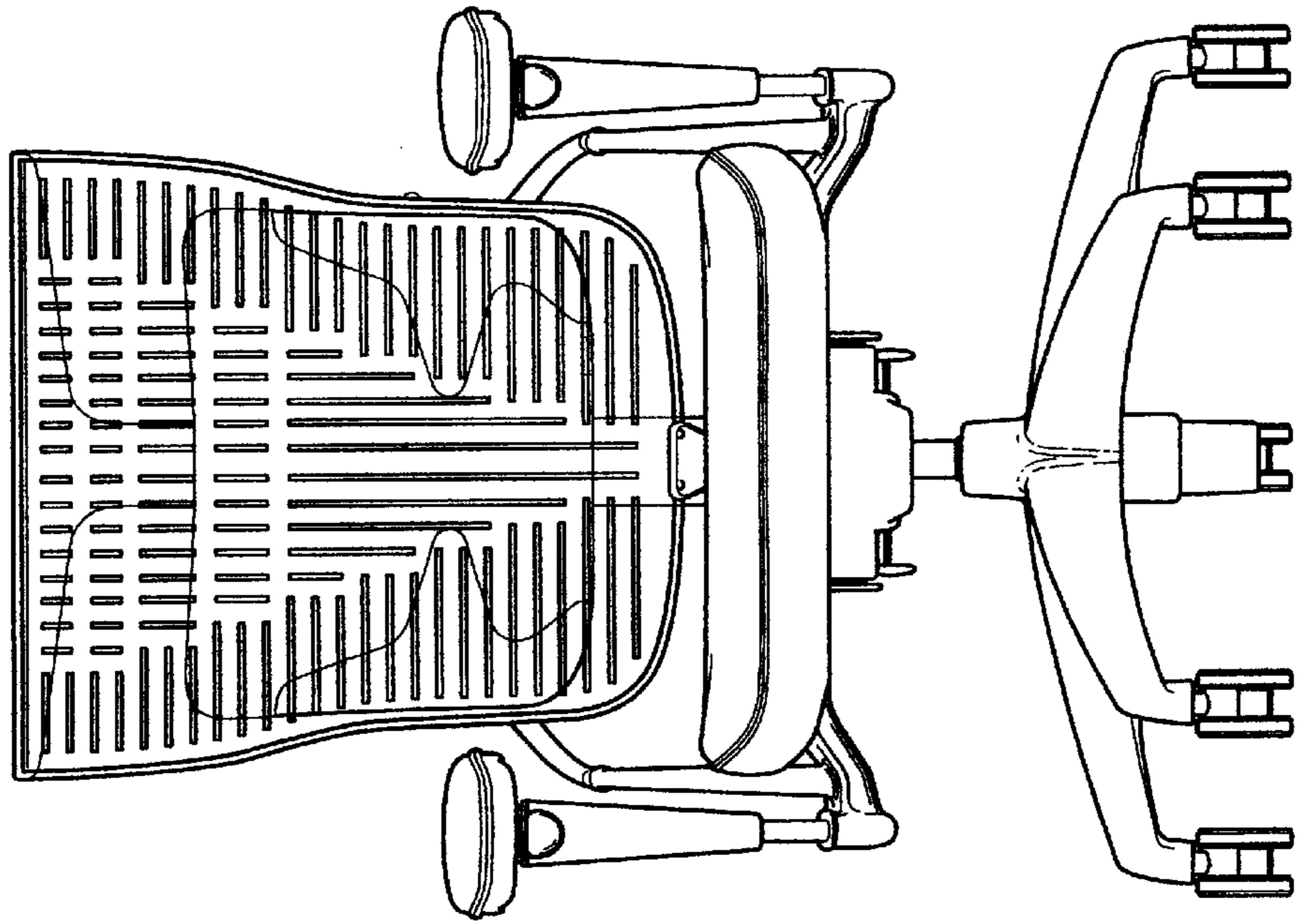


Fig. 2

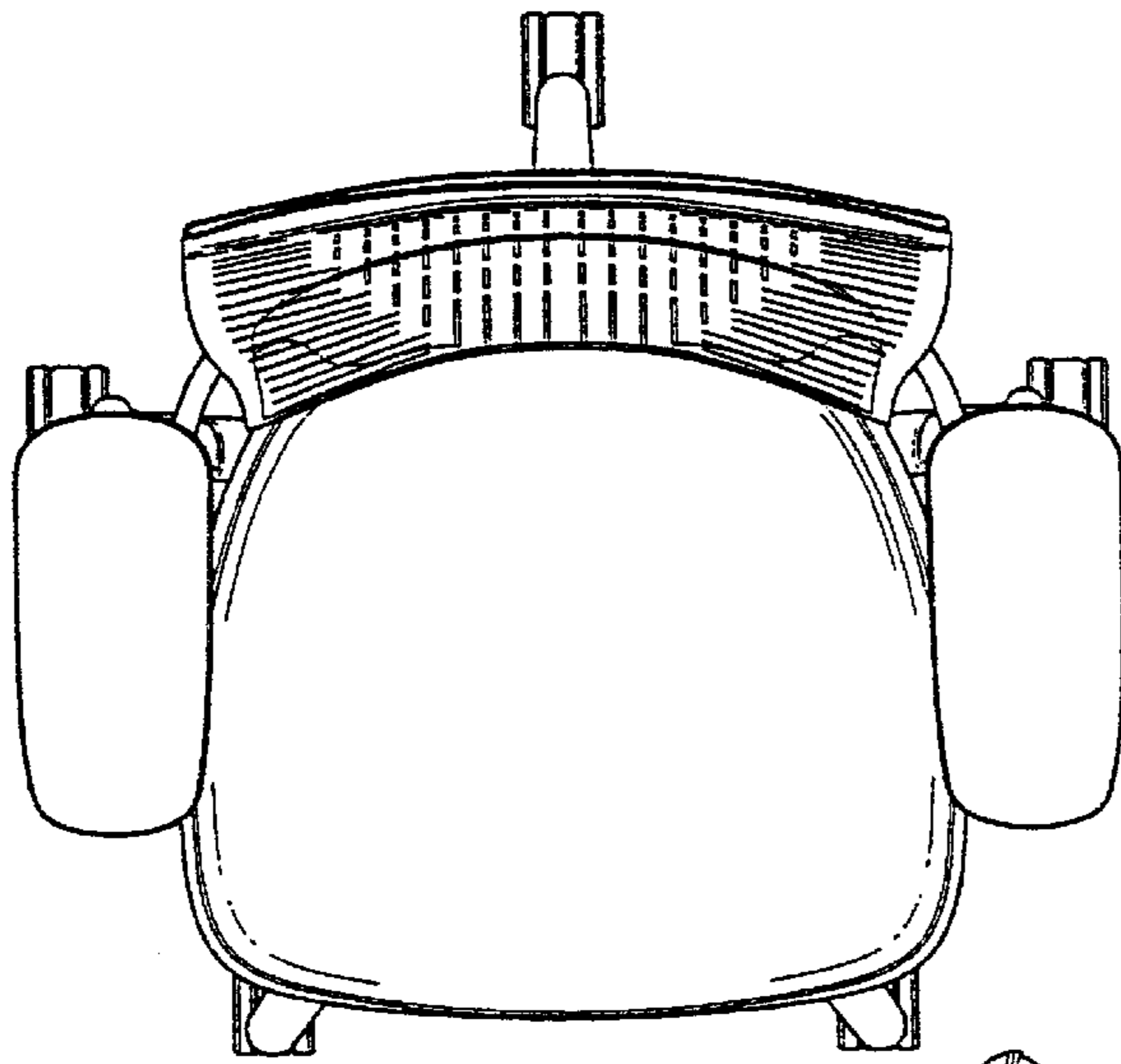


Fig. 4

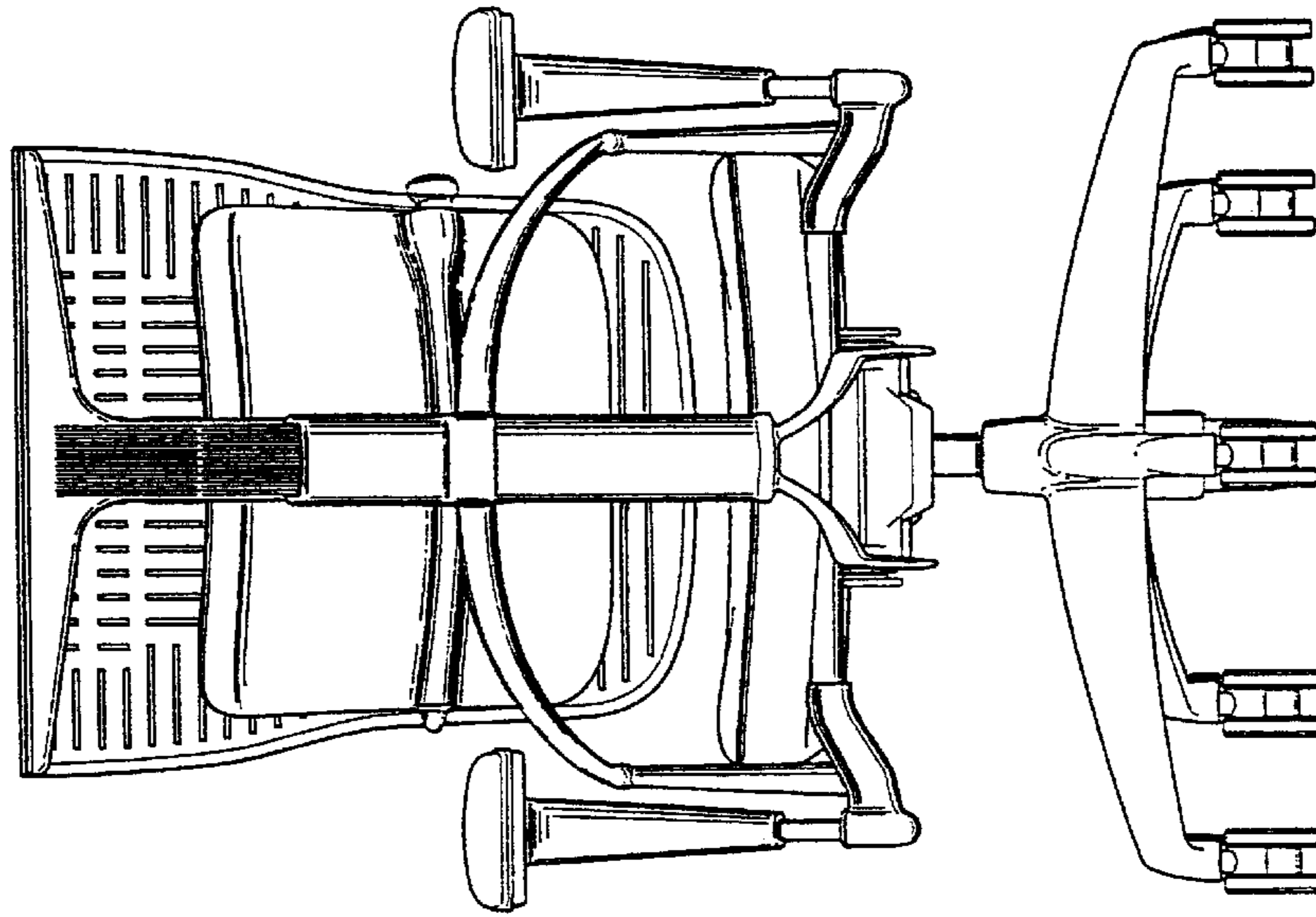


Fig. 5

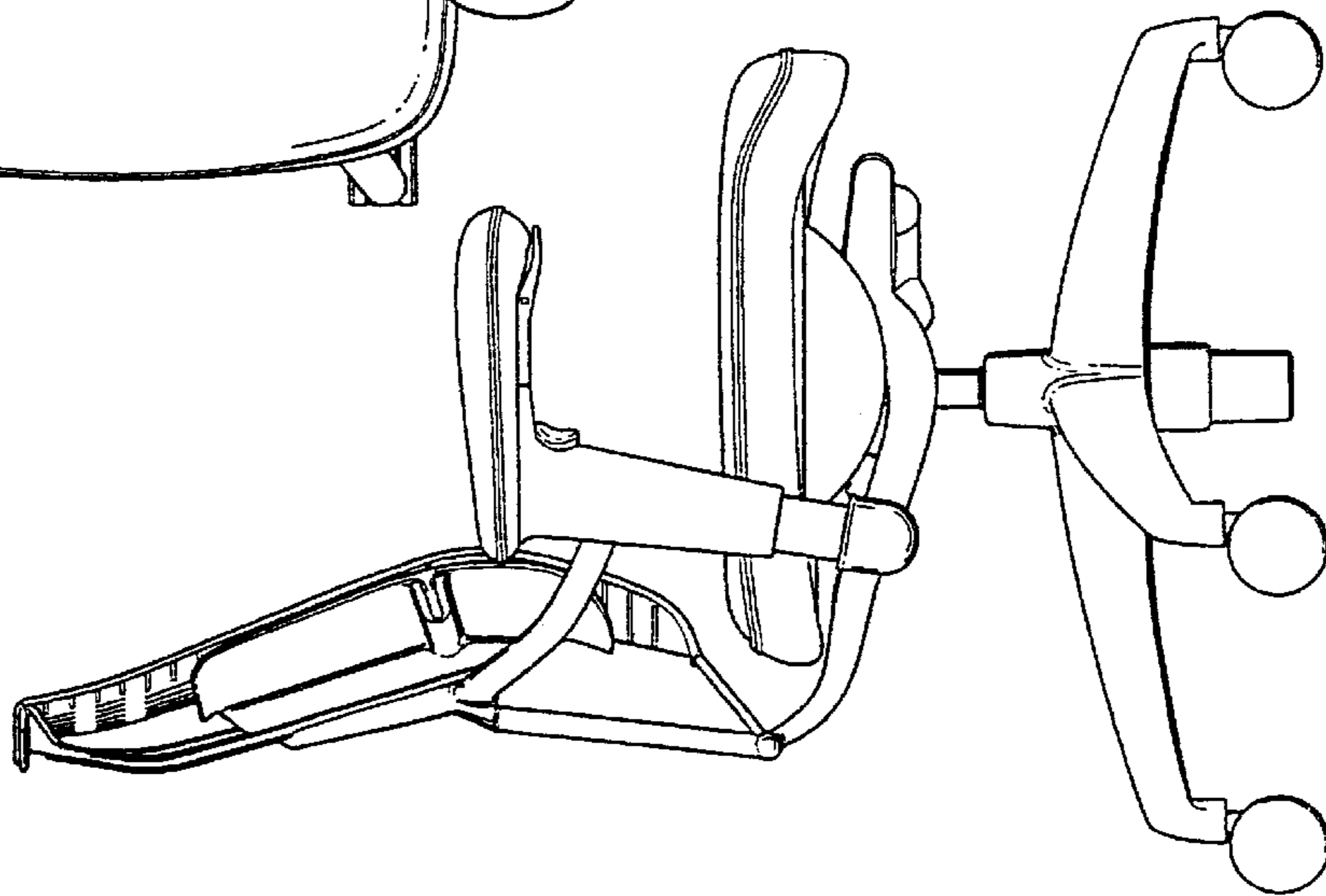


Fig. 3