



US00D456155S

(12) **United States Design Patent**
DeVriendt

(10) **Patent No.:** **US D456,155 S**

(45) **Date of Patent:** **** Apr. 30, 2002**

(54) **OVAL SHAPED CAFETERIA TABLE**

4,841,877 A 6/1989 Virtue
4,932,333 A 6/1990 Jensen et al.

(75) Inventor: **John B. DeVriendt**, Bowling Green,
OH (US)

(List continued on next page.)

(73) Assignee: **Biofit Engineered Products**, Waterville,
OH (US)

OTHER PUBLICATIONS

(**) Term: **14 Years**

(21) Appl. No.: **29/143,280**

(22) Filed: **Jun. 11, 2001**

(51) **LOC (7) Cl.** **06-01**

(52) **U.S. Cl.** **D6/337**

(58) **Field of Search** D6/333, 334, 335,
D6/336, 337, 500-502; 297/157.1, 158.2,
158.3, 158.4, 159.1

Midwest Folding Products pamphlet entitled *Round Stool Unit Comparison*, 2 pages, Apr. 17, 1998.

The Engineering Society for Advancing Mobility Land, Sea, Air and Space, TORSILASTIC® Rubber Heavy Vehicle Suspensions, Roy L. Orndorff, Jr. et al., reprinted from Heavy Vehicle and Highway Dynamics (SP-1308), pp 81-85, 1997.

BFGoodrich Aerospace brochure entitled *Velvet-Ride® Suspension System*, 2 pages, 1996.

BFGoodrich Aerospace pamphlet entitled *Stop the Hop, Skip & Jump of Your Light Truck or Van*, 1 page undated.

Dina Conversion Coach Sales pamphlet of the Model VIAGGIO 1000S, 1 page undated.

BFGoodrich Aerospace pamphlet entitled *TORSILASTIC® Springs*, 1 page, 1999.

KI pamphlet entitled *Uniframe™ Stand-Up Height Tables*, 1 page, 1997.

KI pamphlet entitled *World's Best Table*, 1 page, 1994.

(List continued on next page.)

(56) **References Cited**

U.S. PATENT DOCUMENTS

2,609,194 A	9/1952	Krotz	
2,915,306 A	12/1959	Hickman	
3,006,627 A	10/1961	Paulsen	
3,080,834 A	3/1963	Risdall	
3,101,062 A	8/1963	Kanzelberger	
3,266,840 A *	8/1966	D'Estrube 297/158.3
3,336,021 A	8/1967	Kramer	
3,337,262 A	8/1967	Katzfey et al.	
3,511,532 A	5/1970	Tringali et al.	
3,706,481 A	12/1972	Kramer	
3,715,143 A	2/1973	Gerken et al.	
4,026,221 A	5/1977	Wilson et al.	
4,070,057 A	1/1978	Jones	
4,120,249 A	10/1978	Blink et al.	
4,133,271 A	1/1979	Carlson	
4,327,650 A	5/1982	Bue	
4,337,670 A	7/1982	Carlson	
4,446,796 A	5/1984	Wilson et al.	
4,491,342 A	1/1985	Aubry	
4,596,196 A	6/1986	Gunter et al.	
4,710,049 A	12/1987	Chang	
4,727,816 A	3/1988	Virtue	
4,768,761 A	9/1988	Kramer	
4,825,781 A	5/1989	Palmer	

Primary Examiner—Doris V. Coles

Assistant Examiner—Mimosa De

(74) *Attorney, Agent, or Firm*—Emch, Schaffer, Schaub & Porcello Co., L.P.A.

(57) **CLAIM**

The ornamental design for an oval shaped cafeteria table, as shown and described.

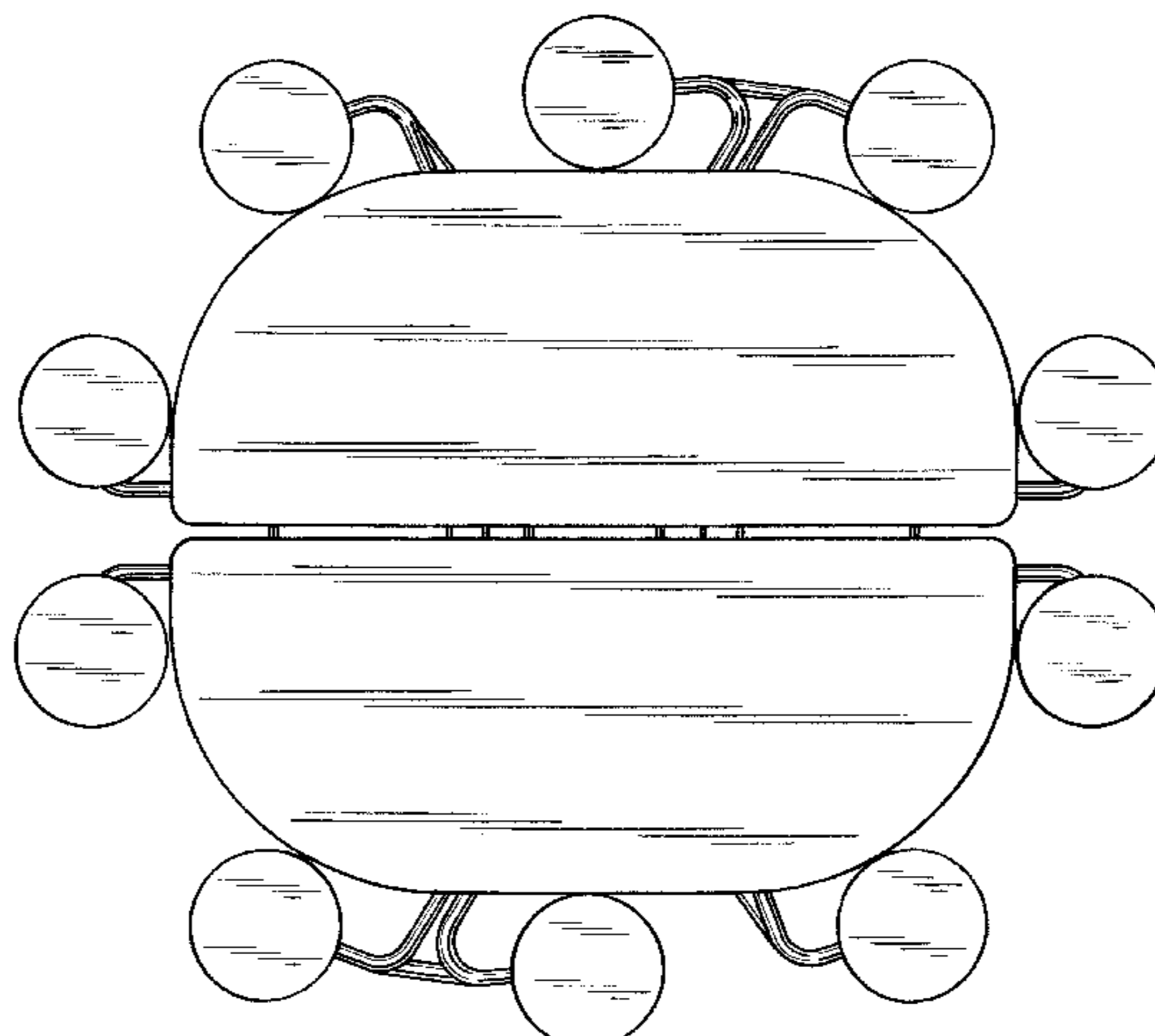
DESCRIPTION

FIG. 1 is a top view of an oval shaped cafeteria table according to the present design;

FIG. 2 is a first side view thereof, it being understood that the opposite side is a mirror image; and,

FIG. 3 is a second side view thereof, it being understood that the opposite side is a mirror image.

1 Claim, 3 Drawing Sheets



U.S. PATENT DOCUMENTS

D325,834 S 5/1992 Fredrick
 D327,779 S 7/1992 Jensen et al.
 5,173,348 A 12/1992 Gevaert et al.
 5,303,907 A 4/1994 Holzheimer
 5,325,640 A 7/1994 Luedke et al.
 5,349,789 A 9/1994 Andert et al.
 5,382,007 A 1/1995 Holzheimer
 5,417,407 A 5/1995 Gordon
 5,481,987 A 1/1996 Maitland
 5,483,898 A 1/1996 Seidl
 D367,221 S 2/1996 Burgasser et al.
 D372,150 S 7/1996 Funk
 5,577,452 A 11/1996 Yindra
 5,613,450 A 3/1997 Wagner et al.
 5,615,451 A 4/1997 Peterson et al.
 5,660,121 A 8/1997 Botts et al.
 5,694,865 A 12/1997 Raab
 5,701,703 A 12/1997 Luedke et al.
 D399,684 S 10/1998 Glass
 5,865,128 A 2/1999 Tarnay
 D413,734 S 9/1999 Bue
 6,065,802 A * 5/2000 Bue 297/158.4
 D439,060 S * 3/2001 Larsen D6/337
 6,254,178 B1 * 7/2001 Bue 297/159.1

OTHER PUBLICATIONS

KI pamphlet entitled *Uniframe WA*, 1 page, 1994.
 Pamphlet entitled *Mobile Folding Tables with Benches*, 7 pages undated.
 Palmer Snyder pamphlet entitled *Mobile Folding Table with Benches Model 19F*, 1 page undated.
 Palmer Snyder pamphlet entitled *Shaped Mobile Folding Tables Model 22F*, 1 page undated.
 Midwest Folding Products pamphlet entitled *Institutional Products*, 1 page, Feb. 1999.
 Mitchell Furniture Systems, Inc. brochure entitled *Gemini PorTables*, 2 pages, 1993.
 Mitchell Furniture Systems, Inc. brochure entitled *(NP) PorTables*, 2 pages undated.
 Mitchell Furniture Systems, Inc. brochure entitled *New (NP) PorTables*, 2 pages, 1997.
 Virco Manufacturing Company brochure entitled *Mobile Tables*, 4 pages undated.
 Sico North America Inc. brochure for tables, 13 pages, 1996.
 Ergogenic Technology Inc. web page (www.ergogenic.com), Feb. 9, 2000, 4 pages.

* cited by examiner

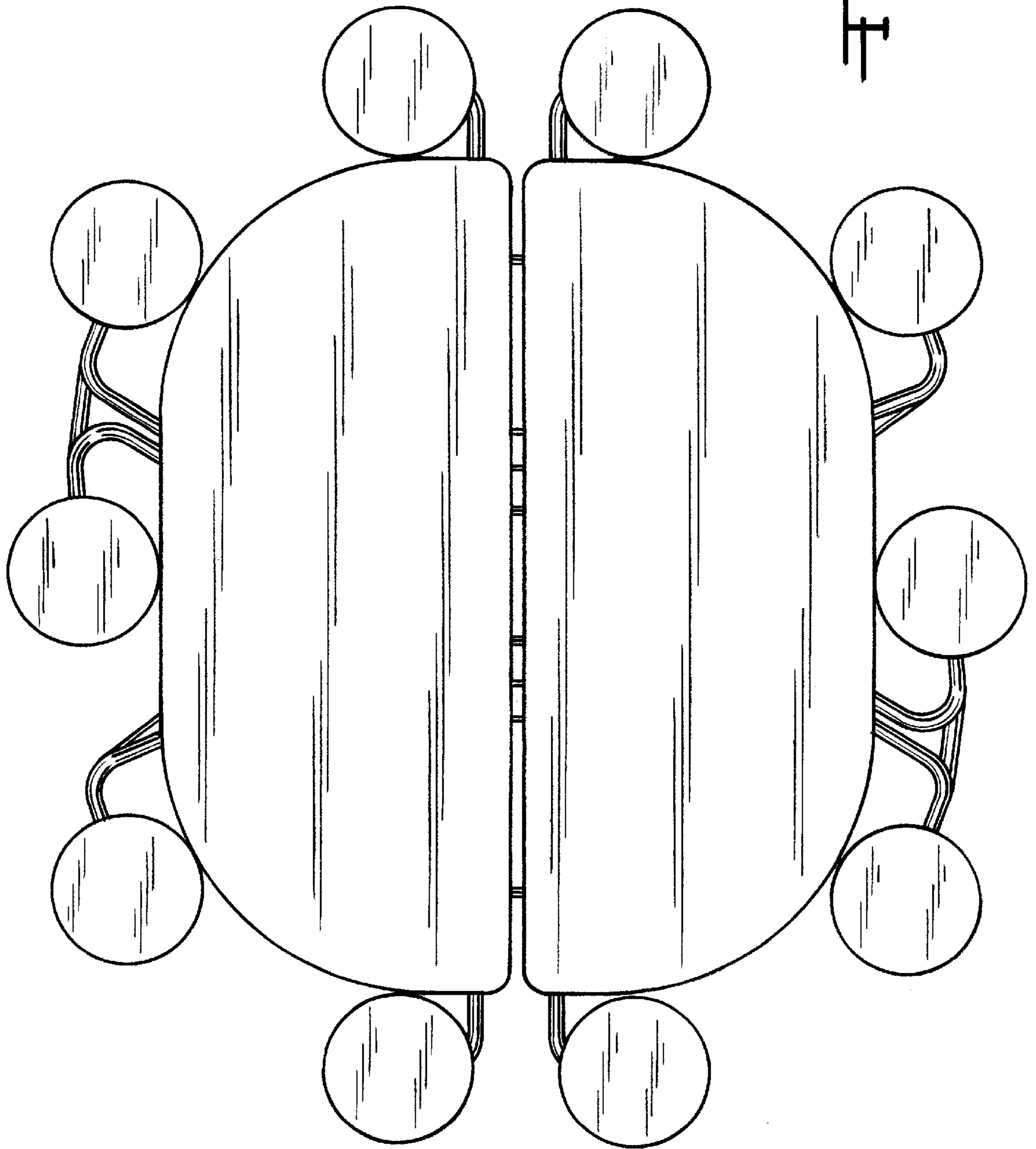


FIG. 1

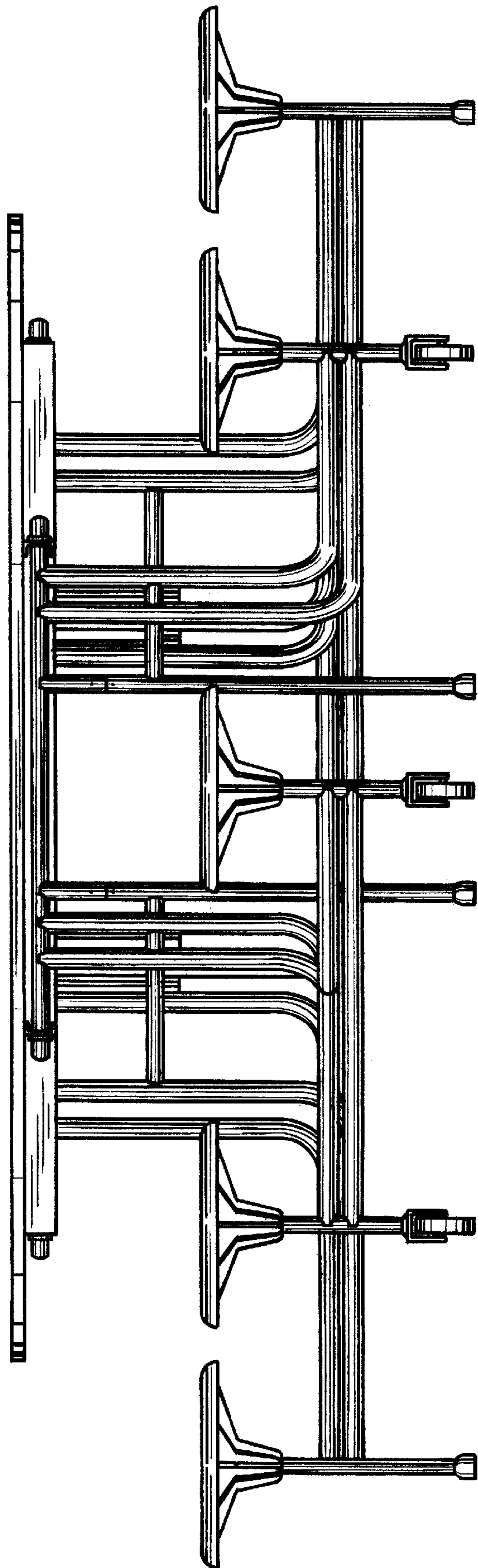


FIG. 2

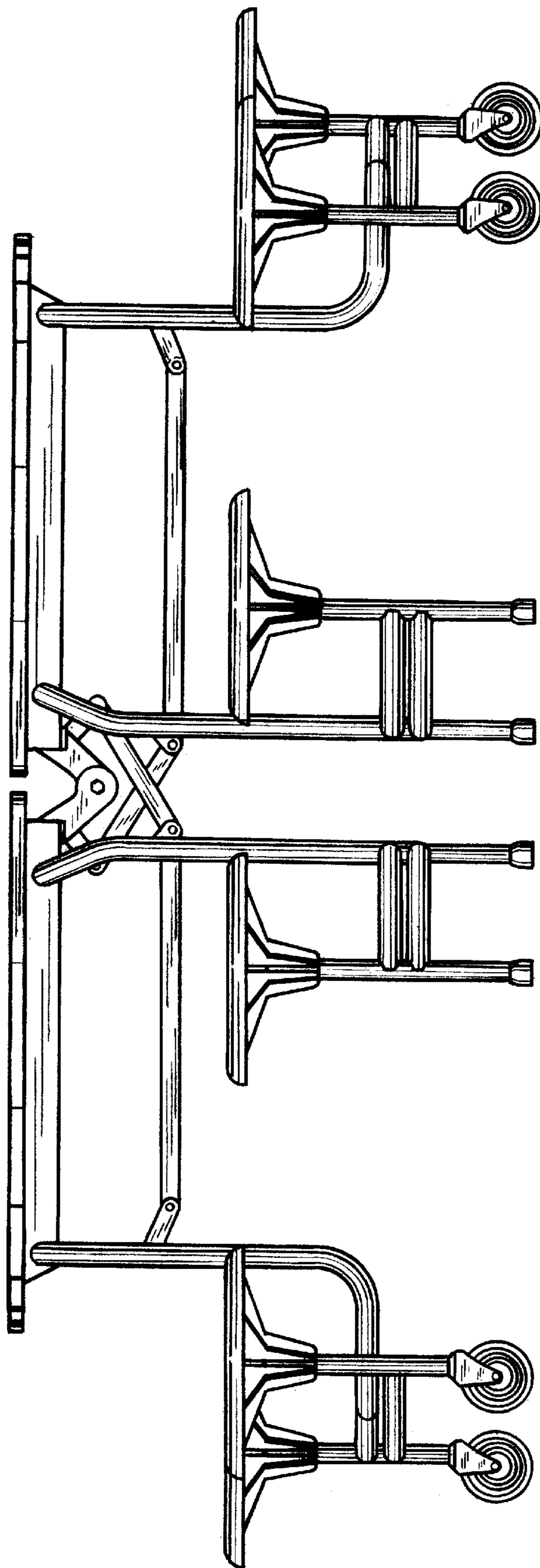


FIG. 3