



US00D456152S

(12) **United States Design Patent**
Giordano

(10) **Patent No.:** **US D456,152 S**

(45) **Date of Patent:** **** Apr. 30, 2002**

(54) **CHAIR**

D341,266 S * 11/1993 Caldwell D6/376
D364,744 S * 12/1995 Hutton D6/334

(75) Inventor: **Geri Giordano**, Bayville, NY (US)

* cited by examiner

(73) Assignee: **Geri Gems Ltd.**, Bayville, NY (US)

Primary Examiner—Gary D. Watson

(**) Term: **14 Years**

(74) *Attorney, Agent, or Firm*—Collard & Roe, P.C.

(21) Appl. No.: **29/126,283**

(57) **CLAIM**

(22) Filed: **Jul. 12, 2000**

The ornamental design for a chair, as shown and described.

(51) **LOC (7) Cl.** **06-01**

DESCRIPTION

(52) **U.S. Cl.** **D6/335; D6/358; D6/374**

FIG. 1 shows a perspective view of my design for a chair;
FIG. 2 shows a side view thereof, with the opposite side
being a mirror image;

(58) **Field of Search** D6/334, 335, 358,
D6/374, 376, 379, 380, 500, 501, 502;
D21/521; 297/446.1

FIG. 3 shows a front view thereof;
FIG. 4 shows a rear view thereof;
FIG. 5 shows a top view thereof; and,
FIG. 6 shows a bottom view thereof.

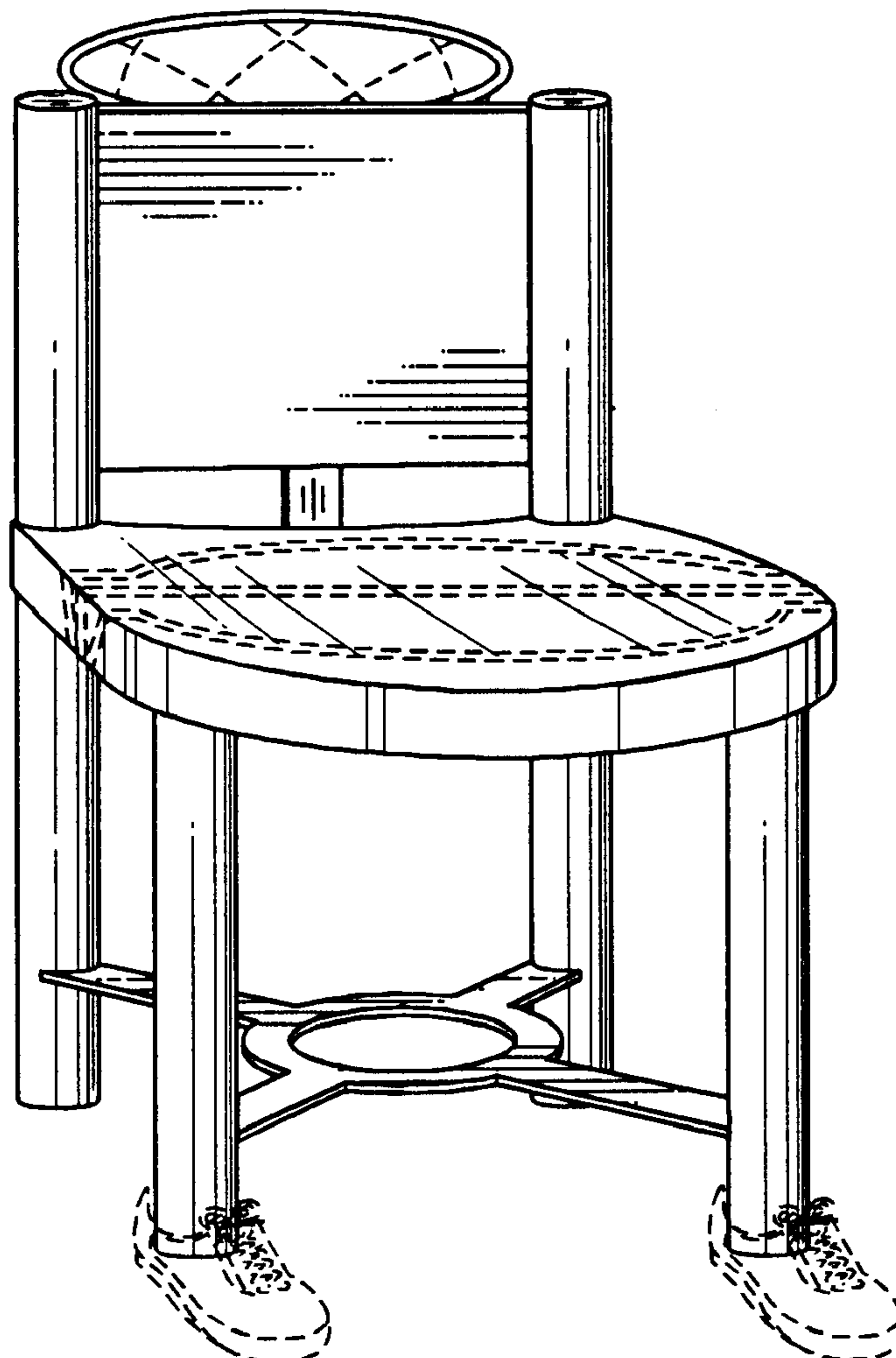
(56) **References Cited**

The dotted lines show environmental structure and form no
part of the claimed invention.

U.S. PATENT DOCUMENTS

D140,583 S * 3/1945 Brunetti D21/521
D238,990 S * 3/1976 Galvez D6/374
D318,186 S * 7/1991 Votteler D6/374

1 Claim, 2 Drawing Sheets



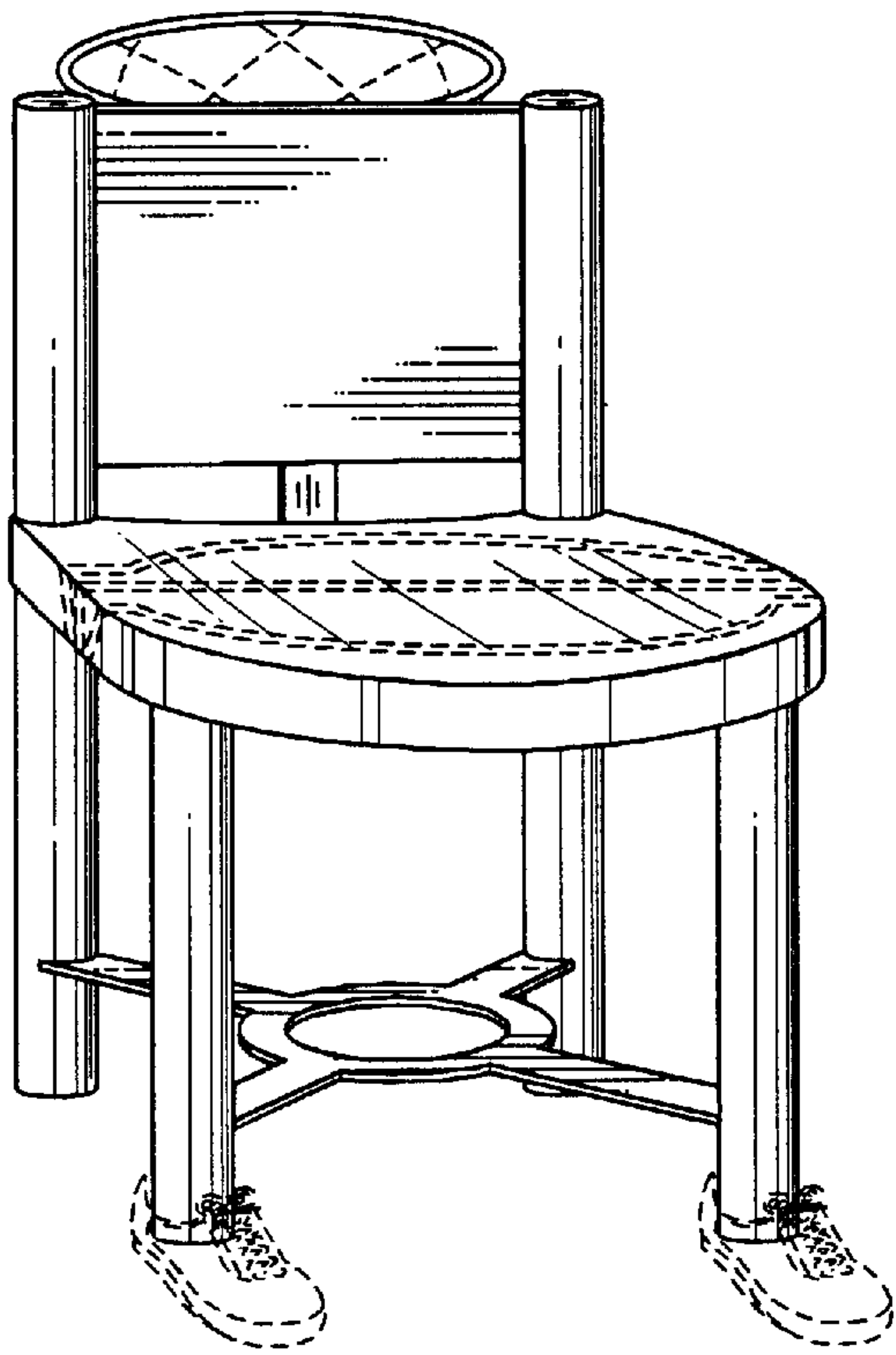


Fig. 1

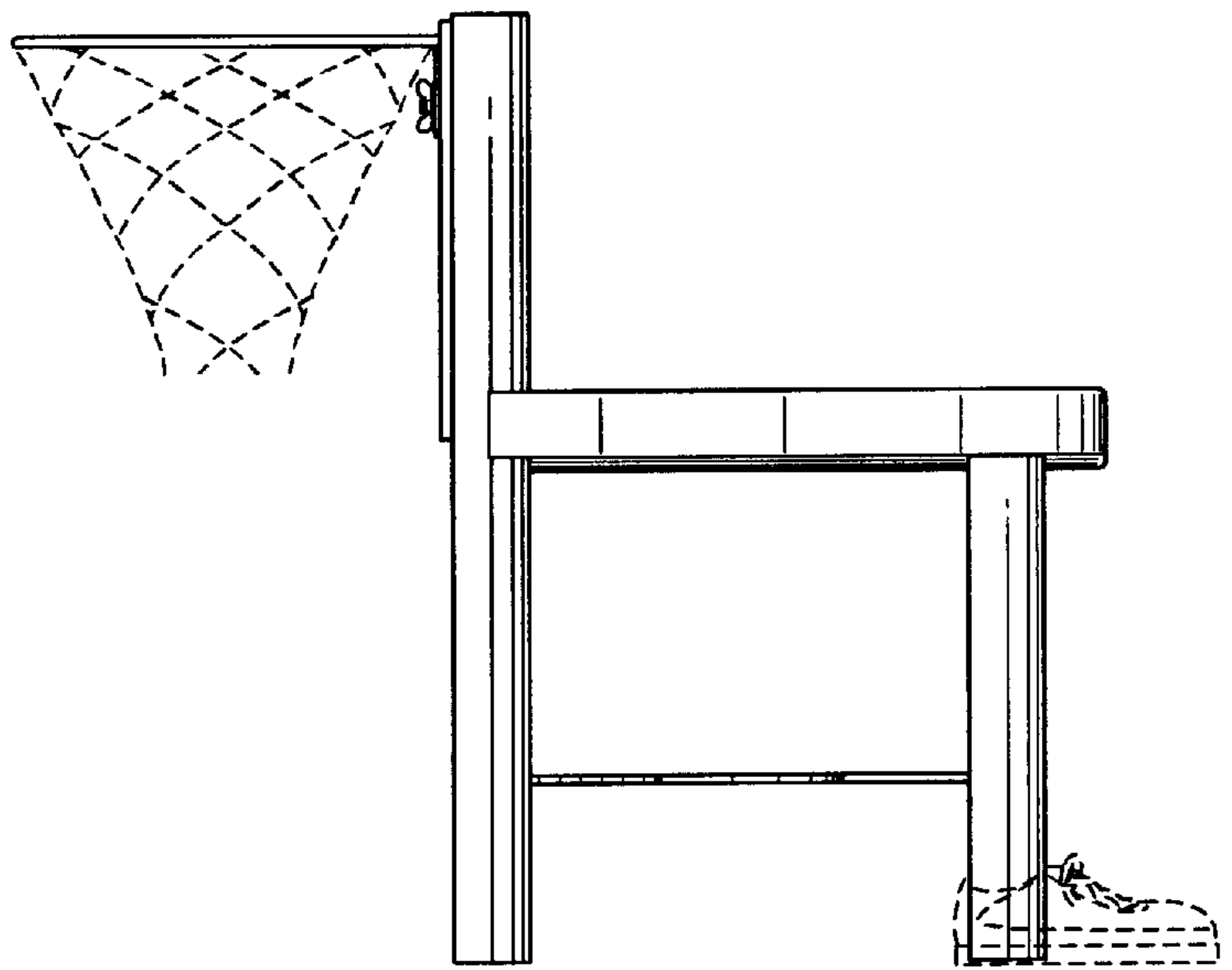


Fig. 2

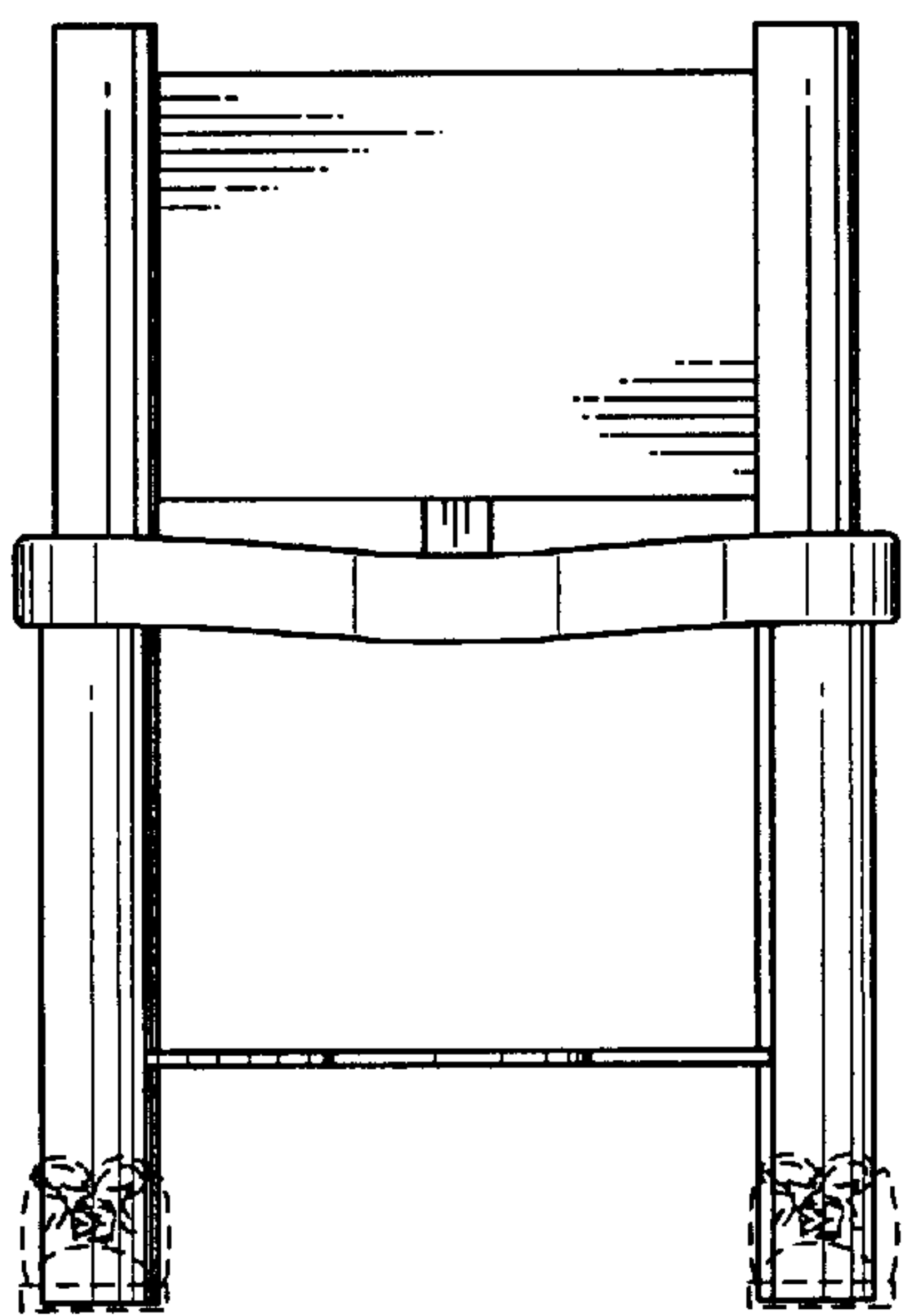


Fig. 3

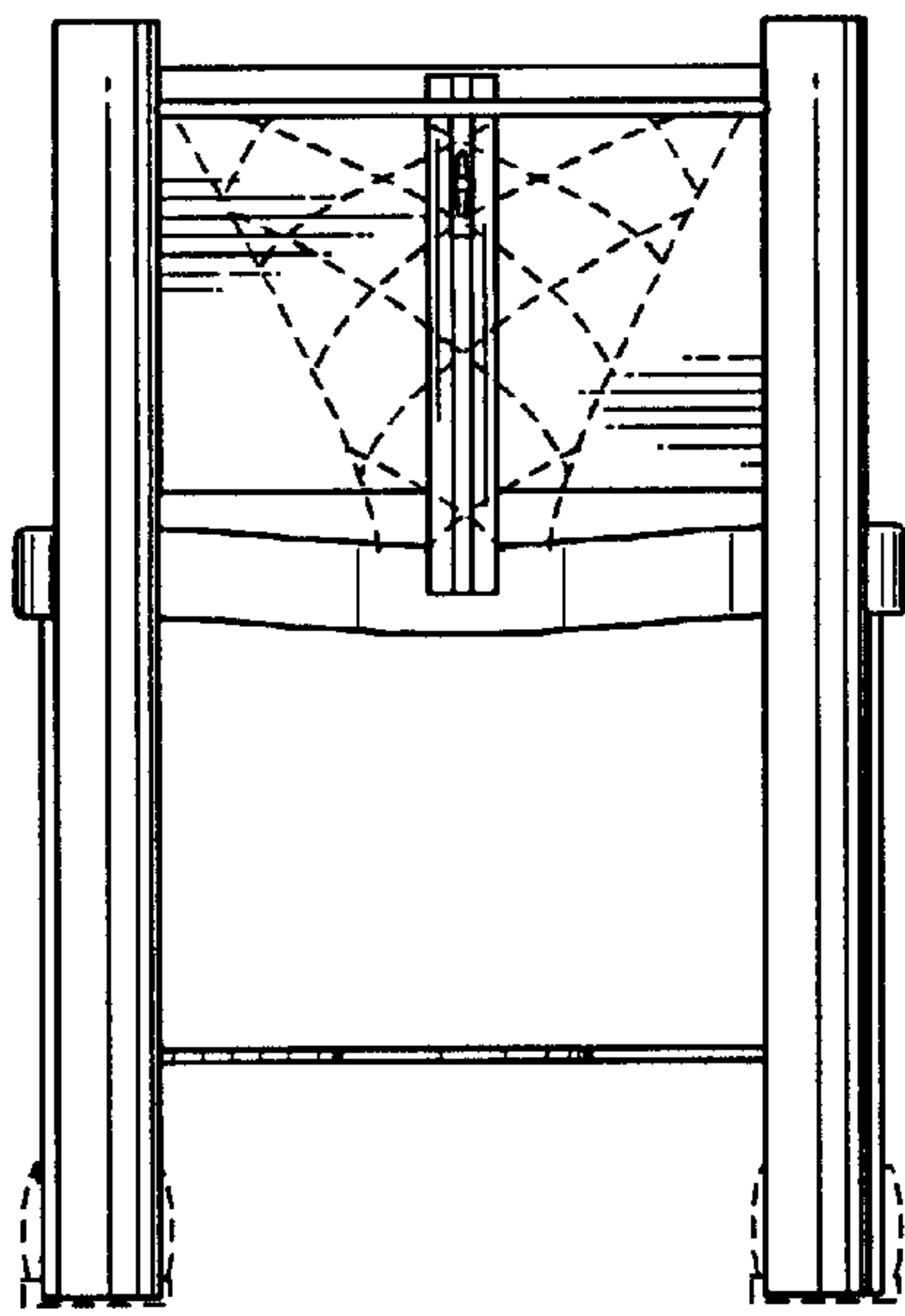


Fig. 4

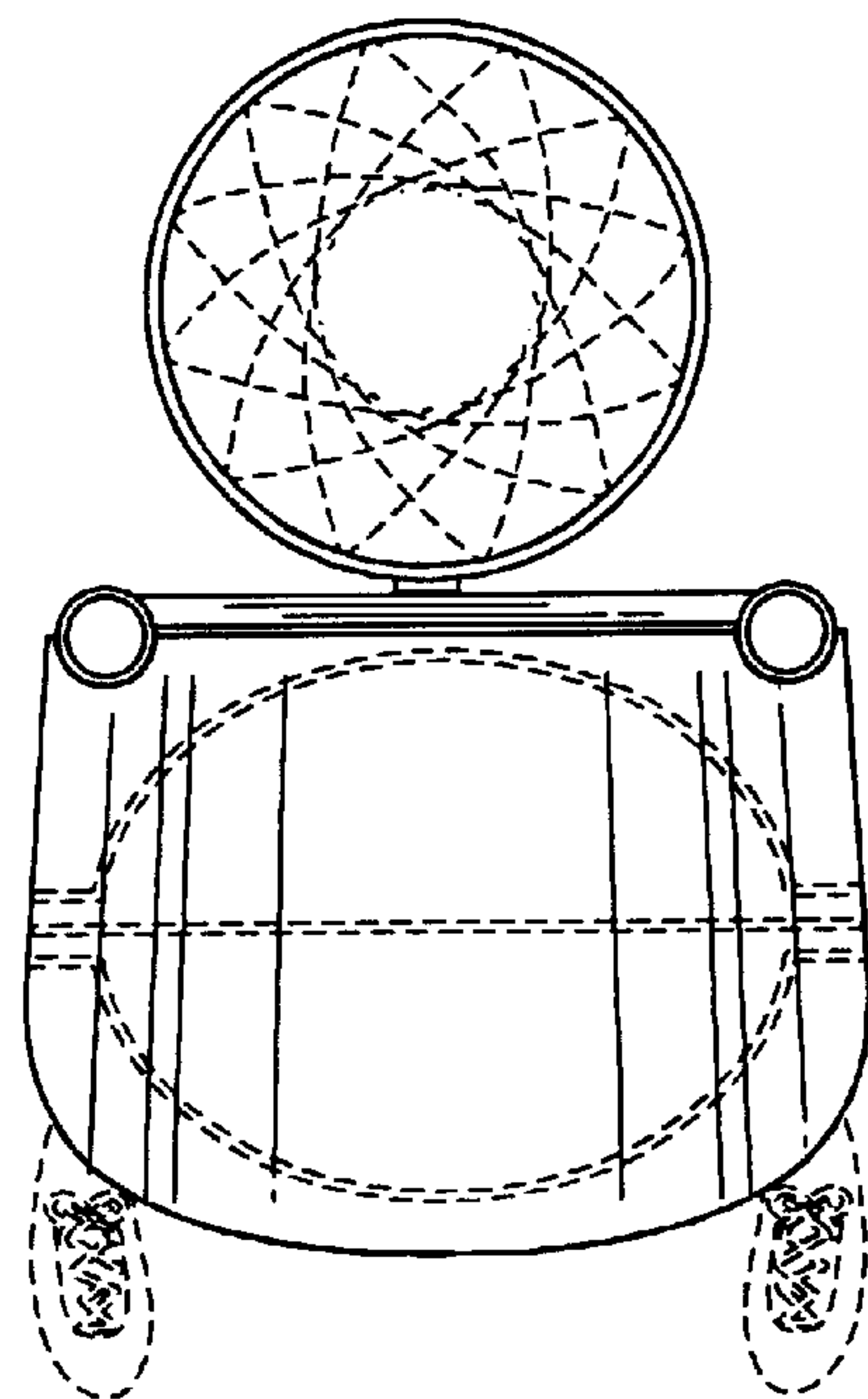


Fig. 5

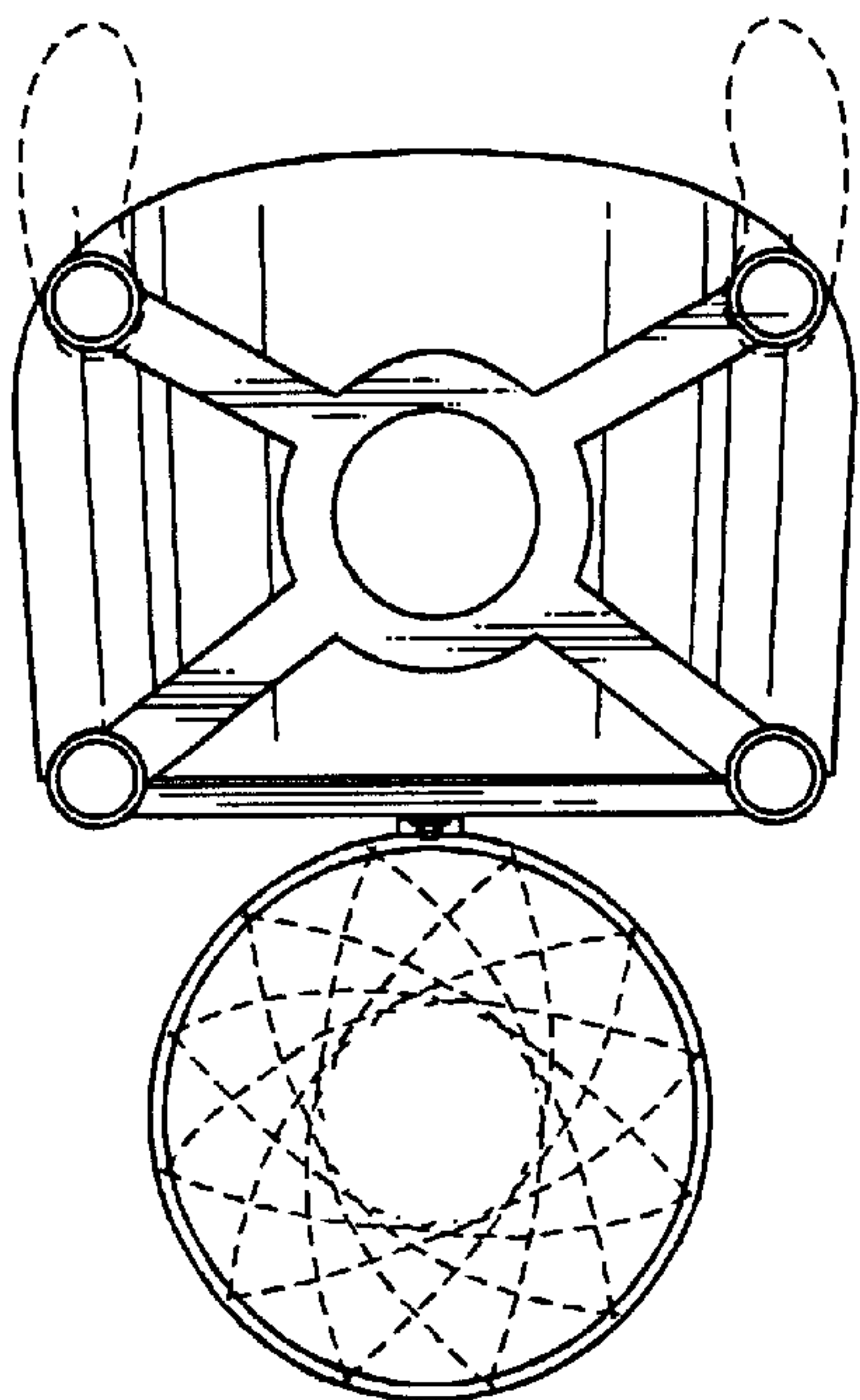


Fig. 6