



US00D456147S

(12) **United States Design Patent**
Anderson

(10) **Patent No.:** **US D456,147 S**

(45) **Date of Patent:** **** Apr. 30, 2002**

(54) **EXTENDABLE UNIVERSAL PAINT BRUSH HOLDER**

FOREIGN PATENT DOCUMENTS

GB 2254104 * 9/1992 A46B/17/02

(76) **Inventor:** **Charles Anderson**, 1976 Latham Rd.,
National City, MI (US) 48748

OTHER PUBLICATIONS

The Painters Advantage Ltd., ©1986, Shur-Line's® Paint
Brush Extender—Item No. MS-EX, back of the order
form.*

(**) **Term:** **14 Years**

* cited by examiner

(21) **Appl. No.:** **29/147,240**

(22) **Filed:** **Aug. 27, 2001**

Primary Examiner—M. H. Tung

Assistant Examiner—Lavone Tabor

(51) **LOC (7) Cl.** **04-99**

(74) *Attorney, Agent, or Firm*—Tom Hamill, Jr.

(52) **U.S. Cl.** **D4/199**

(58) **Field of Search** D4/199; D8/349,
D8/382, 394–396; 15/144.1, 144.2, 144.3,
144.4, 145, 146; 16/110.1, 427, 429; 248/110–111,
229.16; 403/287, 289, 300, 302, 305–306,
309–312, 361, 379.3

(57) **CLAIM**

The ornamental design for the extendable universal paint
brush holder, as shown and described.

(56) **References Cited**

DESCRIPTION

U.S. PATENT DOCUMENTS

210,428 A	12/1878	Lovell	
592,838 A	11/1897	Solem	
1,599,273 A	9/1926	Benkosky	
1,676,812 A	7/1928	Astley	
2,469,050 A	5/1949	Mygas	
2,794,265 A	6/1957	Kruger	
2,912,769 A	11/1959	Kruger	
3,319,280 A	5/1967	Trachsler	
4,525,889 A *	7/1985	Dunau	15/146
D299,693 S *	2/1989	Wick	D8/396
4,926,522 A	5/1990	Wang	

FIG. 1 is a front view and a rear view of the extendable
universal paint brush holder;

FIG. 2 is a top view of the extendable universal paint brush
holder;

FIG. 3 is a bottom view of the extendable universal paint
brush holder;

FIG. 4 is a right side view and a left side view of the
extendable universal paint brush holder; and,

FIG. 5 is an environmental perspective view of the extend-
able universal paint brush holder, the dashed lines showing
the paint brush and the extension handle forming no part of
the claimed design.

1 Claim, 3 Drawing Sheets

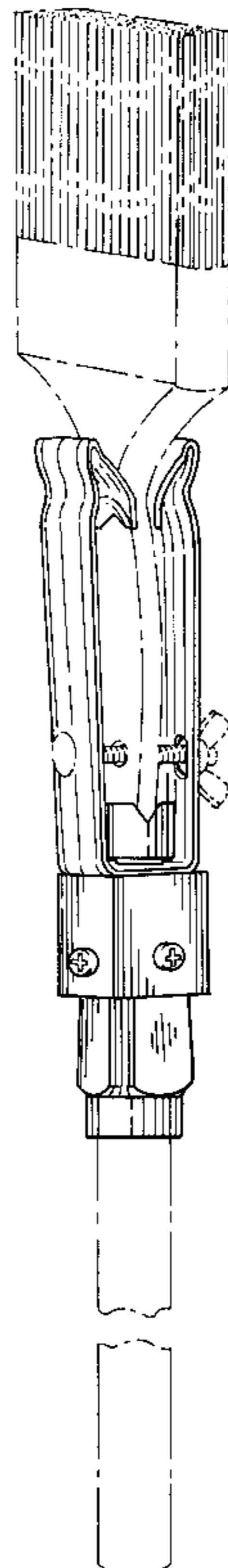


FIG.1

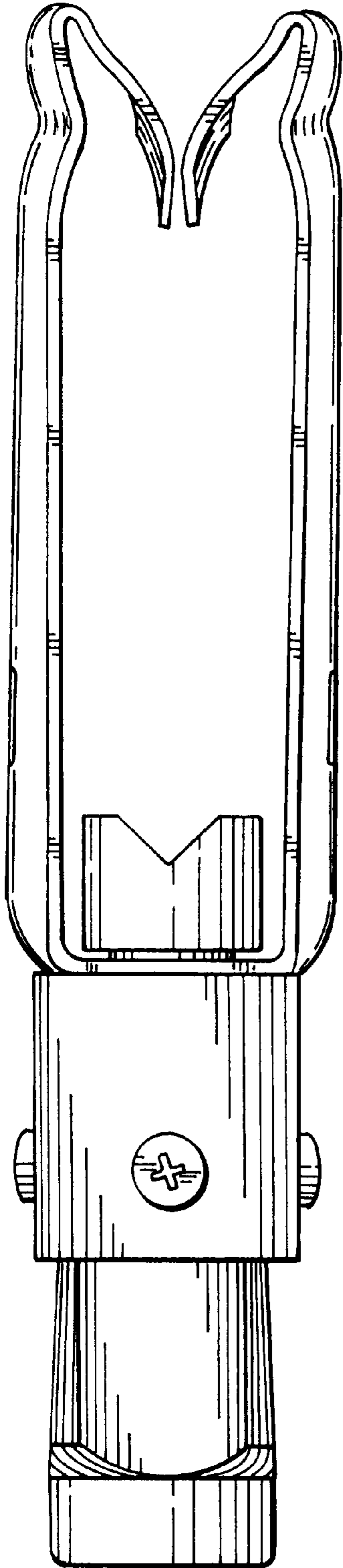


FIG.2

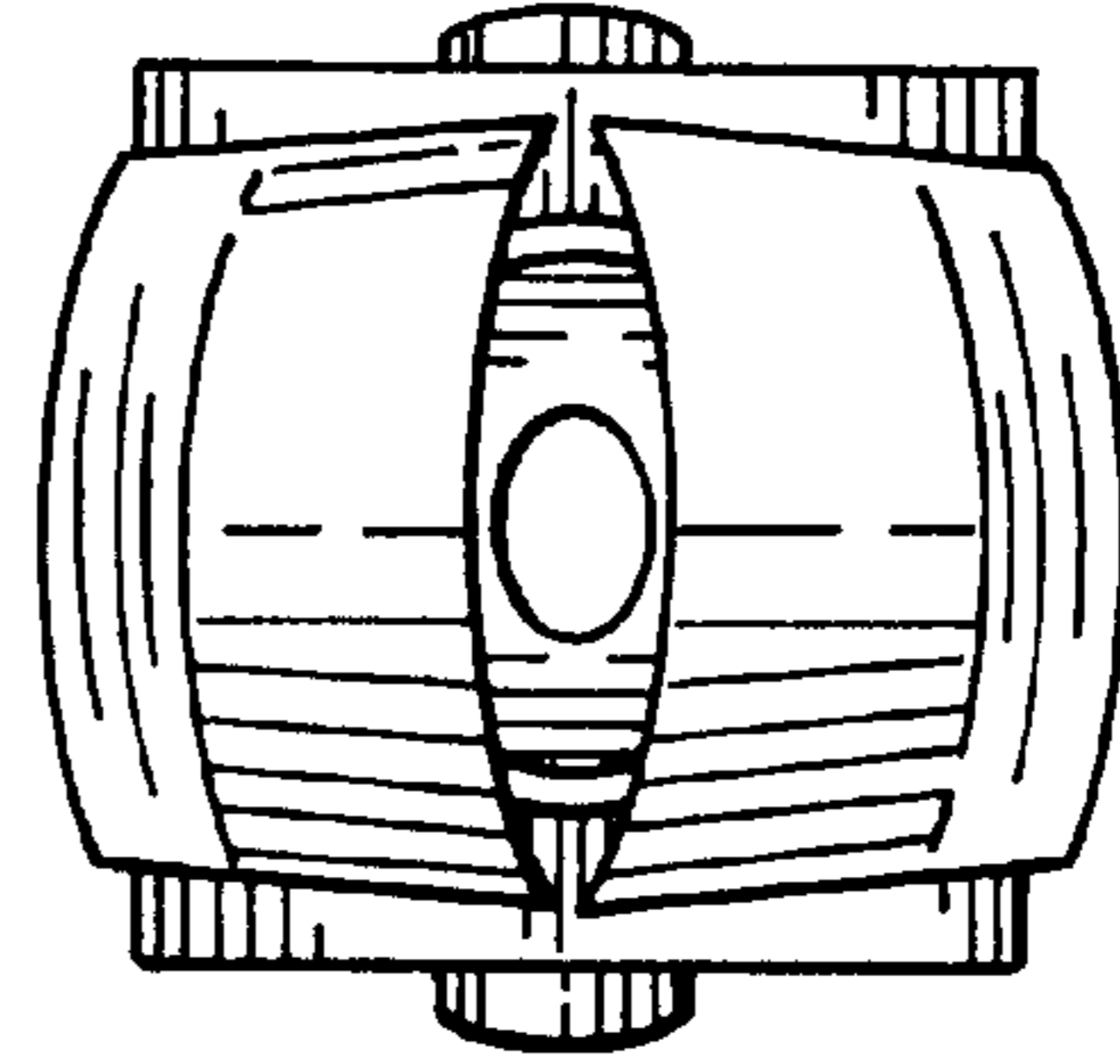


FIG.3

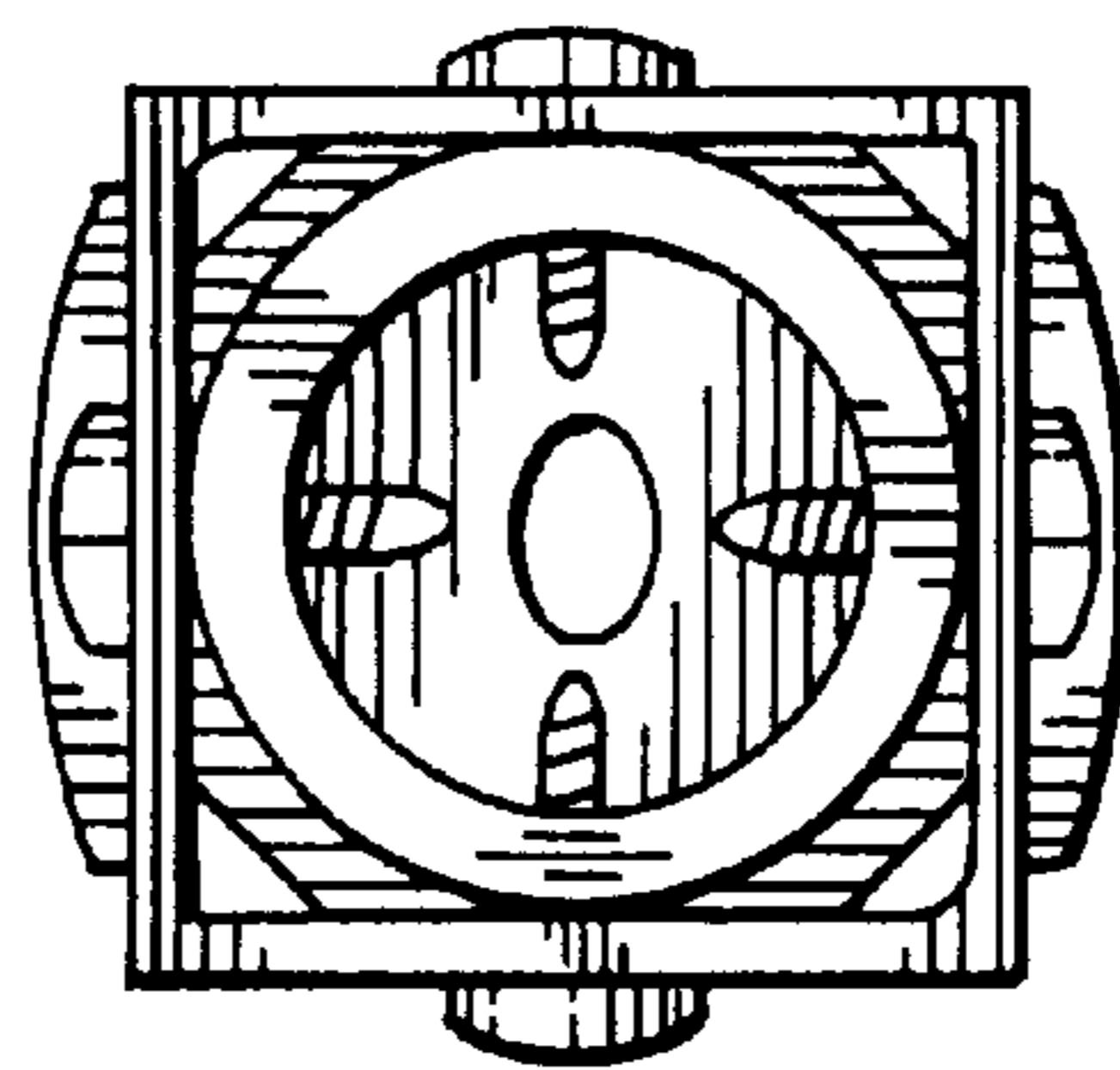


FIG. 4

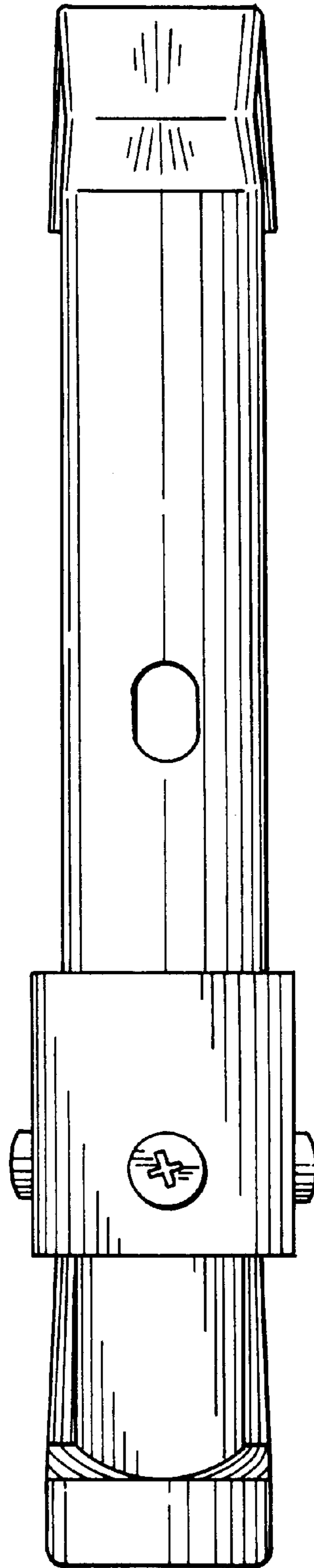


FIG. 5

