



US00D456146S

(12) **United States Design Patent**
Ver Haar

(10) **Patent No.:** **US D456,146 S**

(45) **Date of Patent:** **** Apr. 30, 2002**

(54) **BUMPER FOR PAINT ROLLER**

(76) **Inventor:** **John Thomas Ver Haar**, 14692 Van Buren St., Midway City, CA (US) 92655

(**) **Term:** **14 Years**

(21) **Appl. No.:** **29/132,108**

(22) **Filed:** **Nov. 1, 2000**

(51) **LOC (7) Cl.** **04-99**

(52) **U.S. Cl.** **D4/199**

(58) **Field of Search** D4/122, 199; D8/349, D8/354, 394, 398; 15/230.11, 246, 248.2; 248/71, 222.14, 229.1, 300, 228.6, 229.25, 231.71

(56) **References Cited**

U.S. PATENT DOCUMENTS

2,887,711 A	5/1959	Hutchinson
3,088,152 A	5/1963	Lucas
3,175,241 A	3/1965	Singleton et al.
3,346,899 A	10/1967	Murphy
3,369,269 A	2/1968	Deck et al.
3,421,822 A	1/1969	Roche
3,654,658 A	4/1972	Kovacs
3,790,984 A	2/1974	Spransy et al.

4,100,642 A	7/1978	Gabor	
4,666,116 A	* 5/1987	Lloyd 248/228.6
D290,214 S	6/1987	Nellis	
D331,358 S	* 12/1992	Sachs D8/394 X
D336,370 S	6/1993	Hunt	
5,463,789 A	11/1995	Zilinski	

* cited by examiner

Primary Examiner—Alan P. Douglas

Assistant Examiner—Lavone Tabor

(74) *Attorney, Agent, or Firm*—Eric Karich

(57) **CLAIM**

The ornamental design for a bumper for paint roller, as shown and described.

DESCRIPTION

FIG. 1 is a perspective view of a bumper for paint roller, showing my new design;

FIG. 2 is a left side elevational view thereof;

FIG. 3 is a right side elevational view thereof;

FIG. 4 is a rear elevational view thereof;

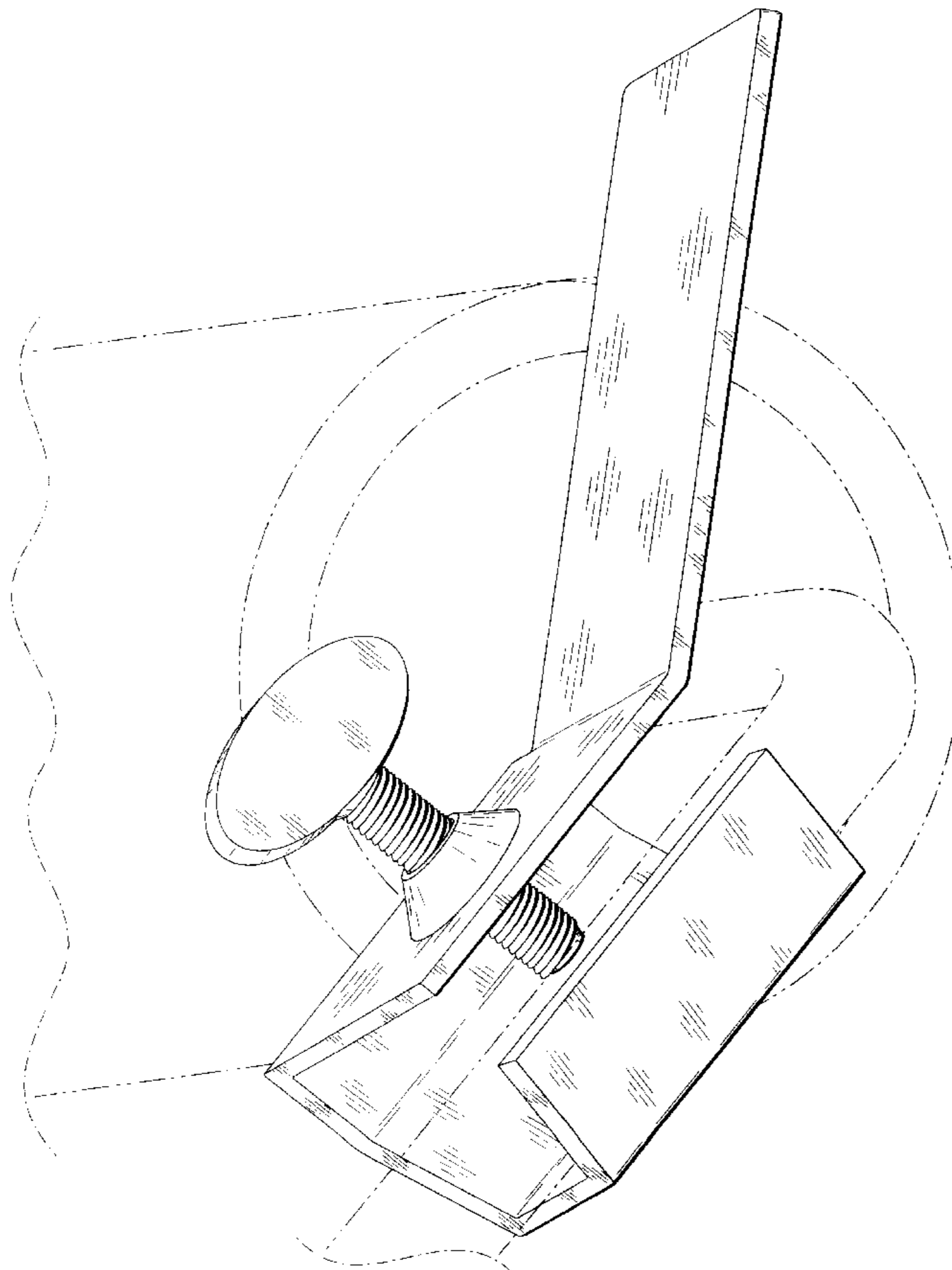
FIG. 5 is a front elevational view thereof;

FIG. 6 is a top plan view thereof; and,

FIG. 7 is a bottom plan view thereof.

The broken line showing of a paint roller is for illustrative purposes only and forms no part of the claimed design.

1 Claim, 3 Drawing Sheets



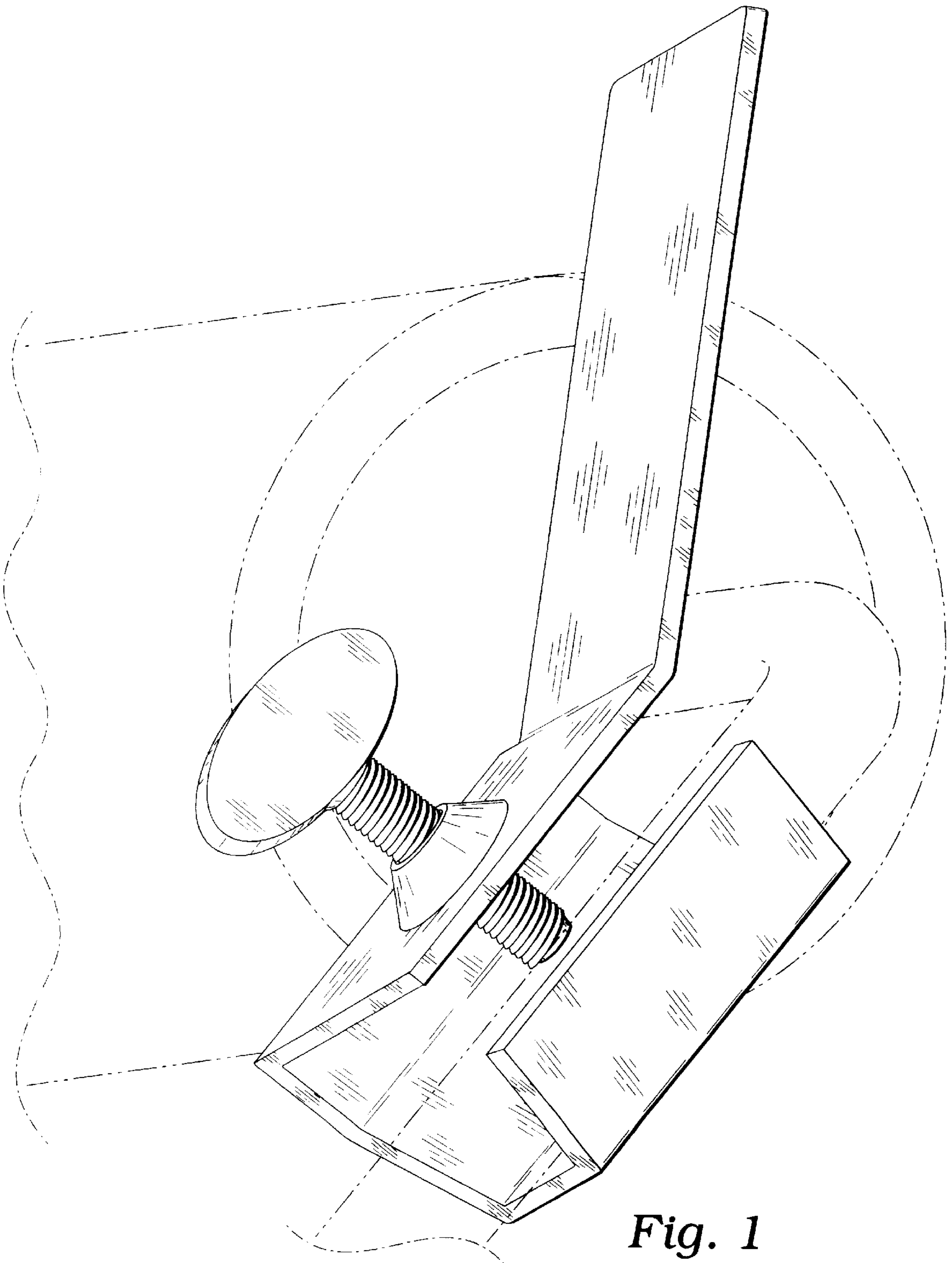


Fig. 1

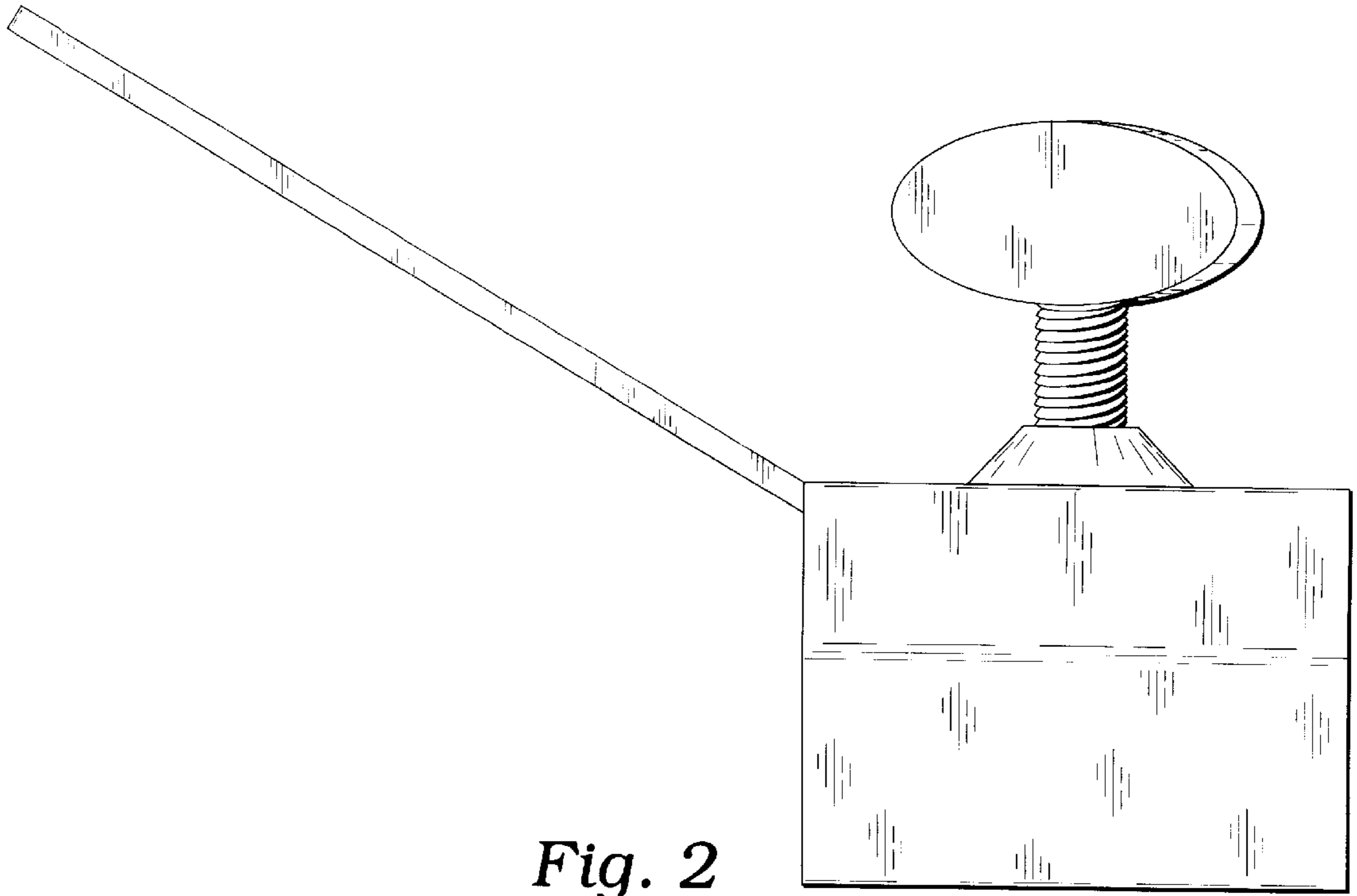


Fig. 2

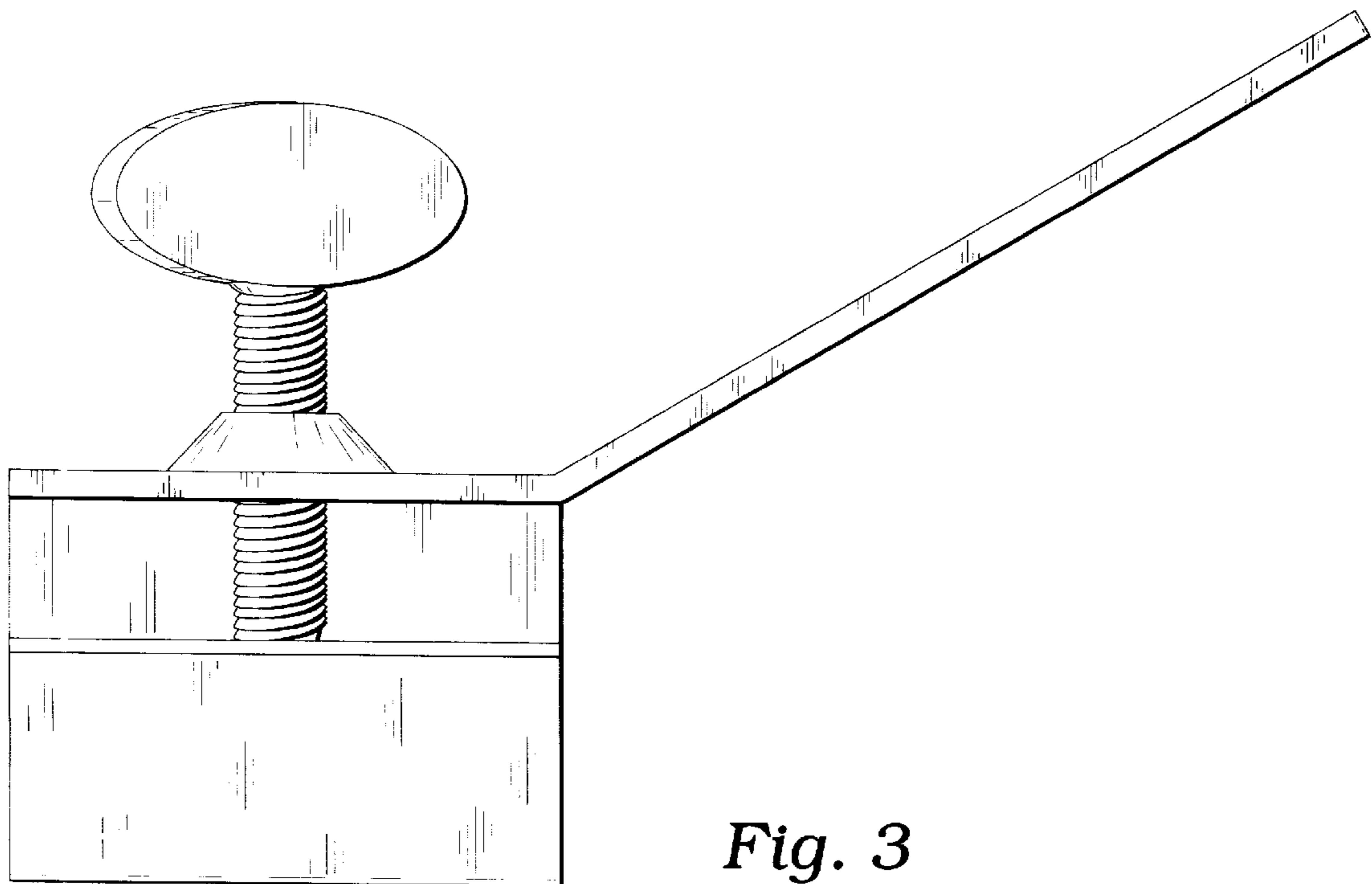


Fig. 3

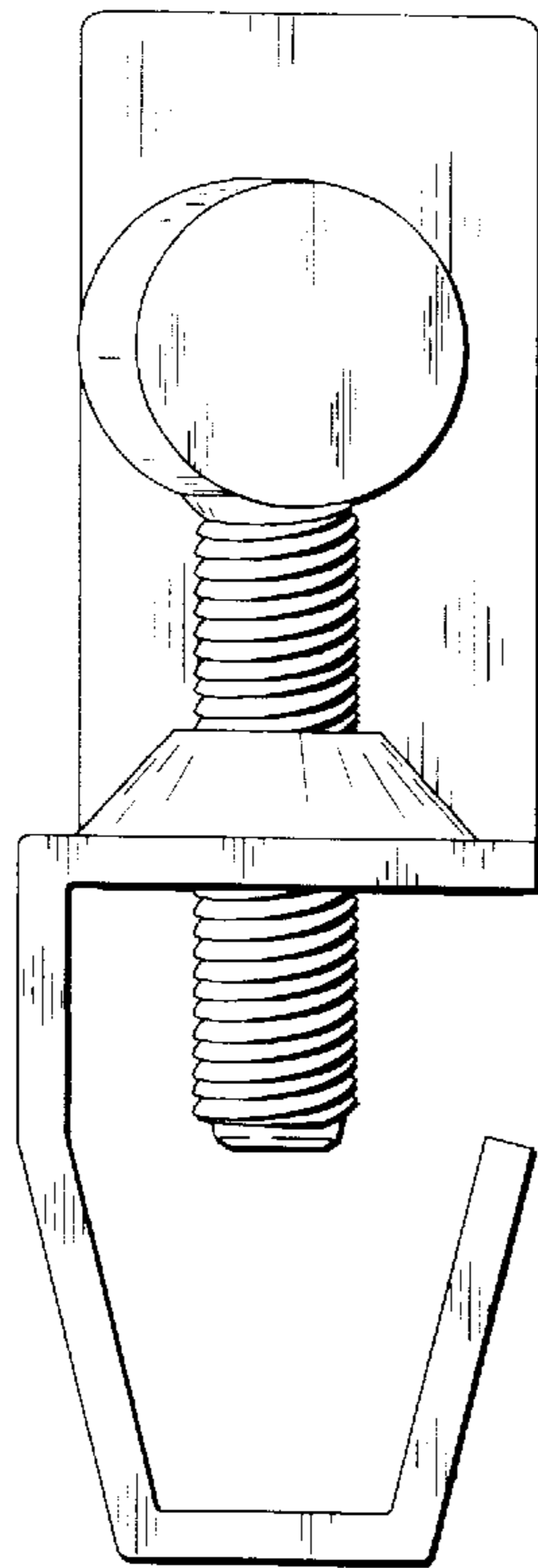


Fig. 4

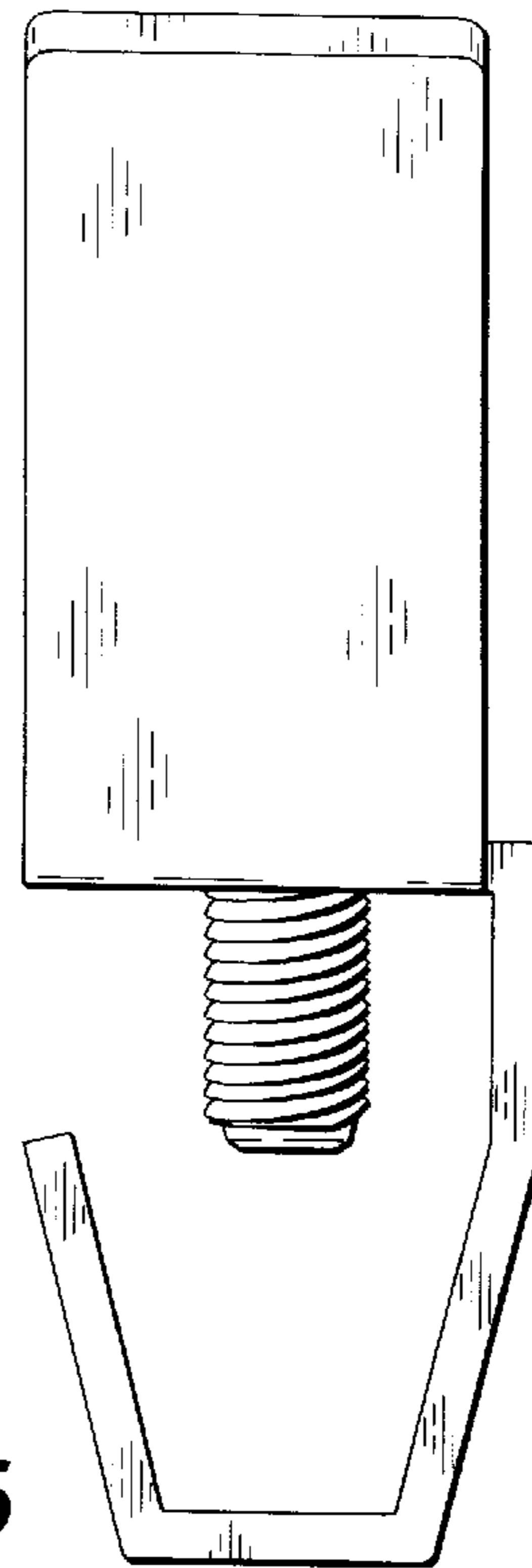


Fig. 5

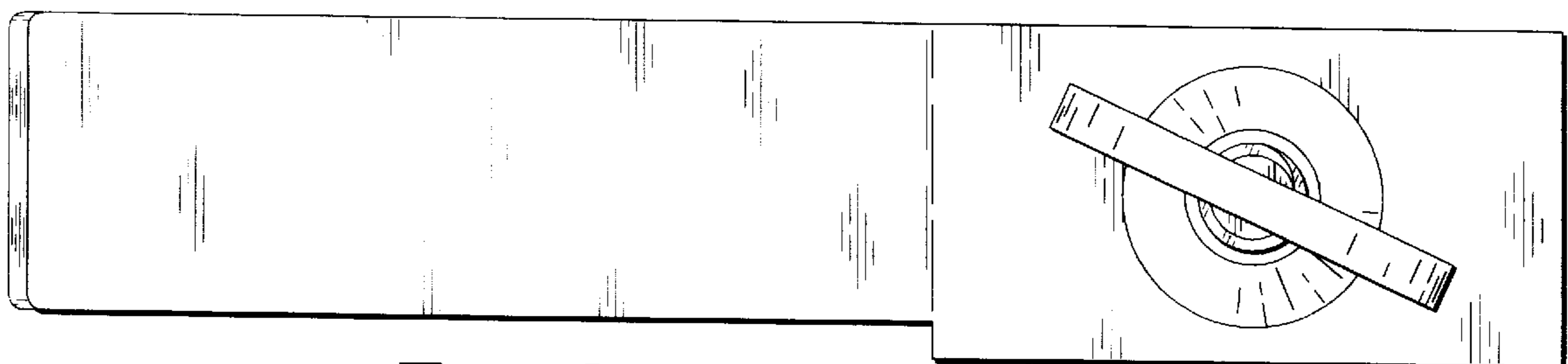


Fig. 6

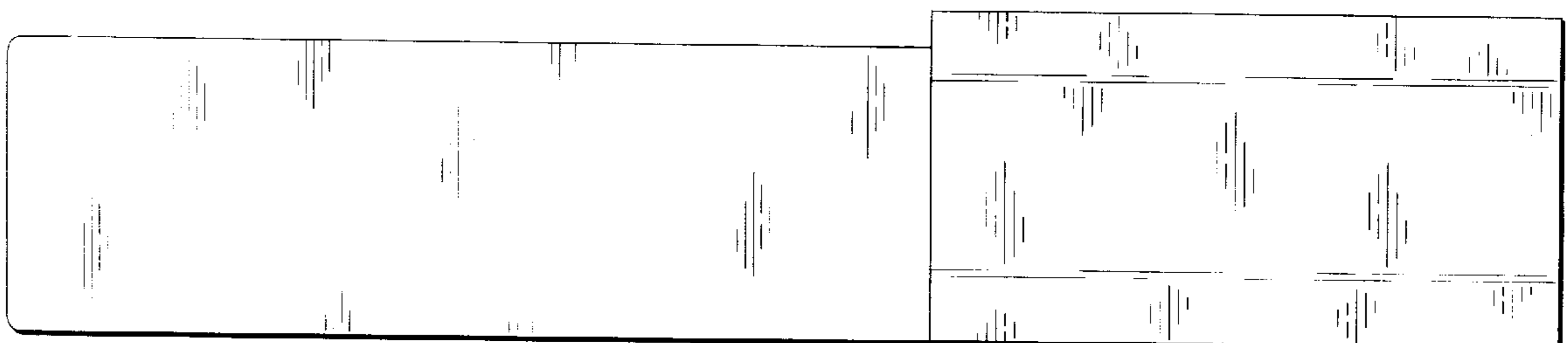


Fig. 7