



US00D456142S

(12) **United States Design Patent**
Szeto et al.

(10) **Patent No.:** **US D456,142 S**

(45) **Date of Patent:** **** Apr. 30, 2002**

(54) **LID WITH BRUSH**

(75) Inventors: **John C. Szeto**, Chicago; **Richard L. Sassone**, Elk Grove Village; **Nicolaus Bruns, III**, Wheaton, all of IL (US)

(73) Assignee: **World Kitchen, Inc.**, Elmira, NY (US)

(**) Term: **14 Years**

(21) Appl. No.: **29/135,531**

(22) Filed: **Jan. 12, 2001**

(51) **LOC (7) Cl.** **09-07**

(52) **U.S. Cl.** **D4/116; D9/436**

(58) **Field of Search** D4/116, 121, 132, D4/135, 138; 15/104.92, 159.1, 160, 248.1; 206/15.2, 15.3, 209, 229, 361; 401/118, 123, 126, 127, 129; D9/338, 436

(56) **References Cited**

U.S. PATENT DOCUMENTS

778,357	A	*	12/1904	Gleich	401/123	X
1,086,676	A	*	2/1914	Linscott	401/129	
1,655,950	A	*	1/1928	Griswold	206/15.2	
2,124,058	A	*	7/1938	Gannon	401/129	
6,036,389	A		3/2000	Zima			

* cited by examiner

Primary Examiner—Alan P. Douglas

Assistant Examiner—Lavone Tabor

(74) *Attorney, Agent, or Firm*—Wolf, Greenfield & Sacks, P.C.

(57) **CLAIM**

The ornamental design for a lid with brush, as shown and described.

DESCRIPTION

FIG. 1 is a side, top perspective view of the lid with brush placed on a container having hanging hooks shown in phantom;

FIG. 2 is a front view thereof;

FIG. 3 is a rear view thereof;

FIG. 4 is a right side view thereof;

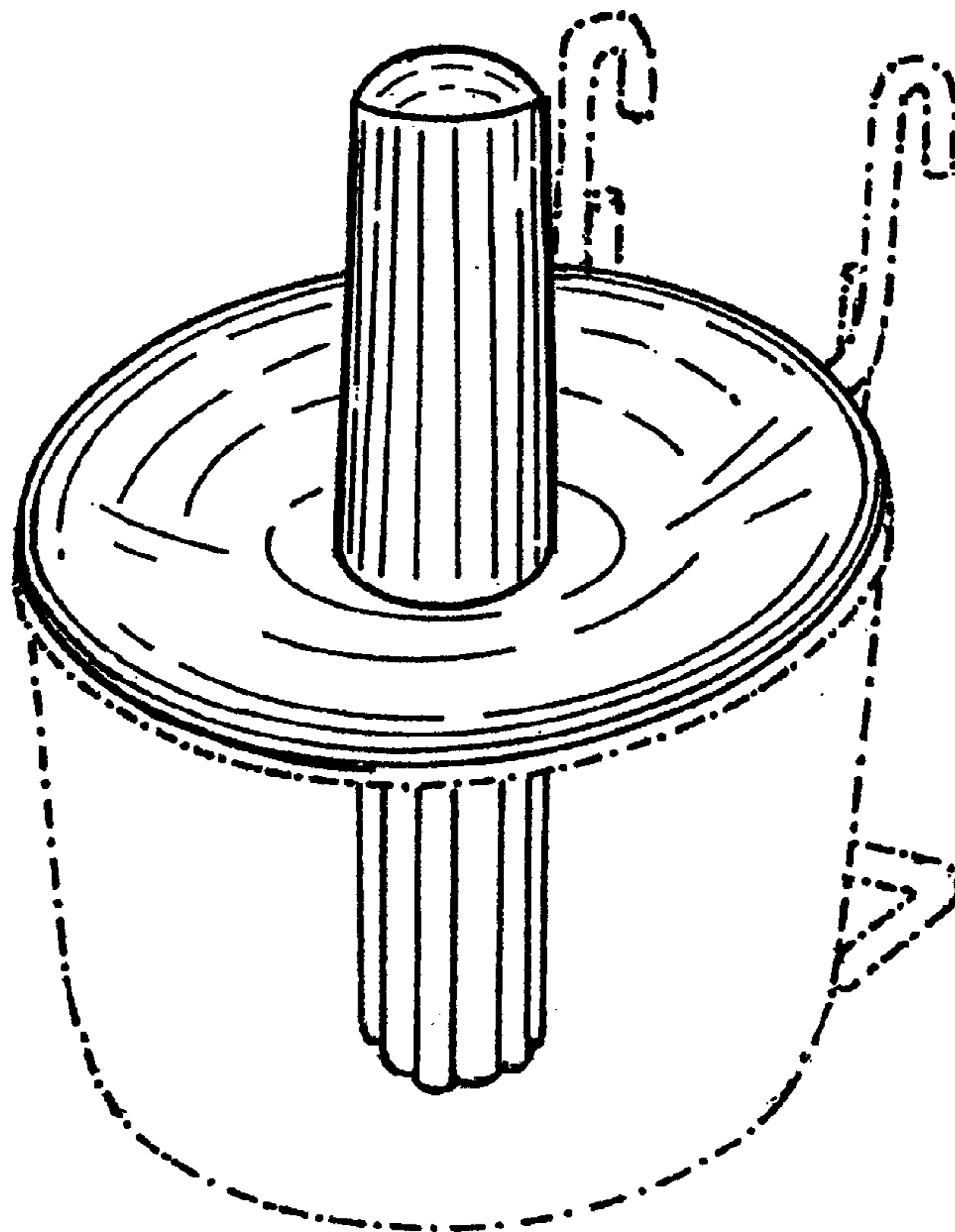
FIG. 5 is a left side view thereof;

FIG. 6 is a top view thereof; and,

FIG. 7 is a bottom view thereof.

The broken lines showing the container and hanging hooks are for illustrative purposes only and form no part of the claimed design.

1 Claim, 2 Drawing Sheets



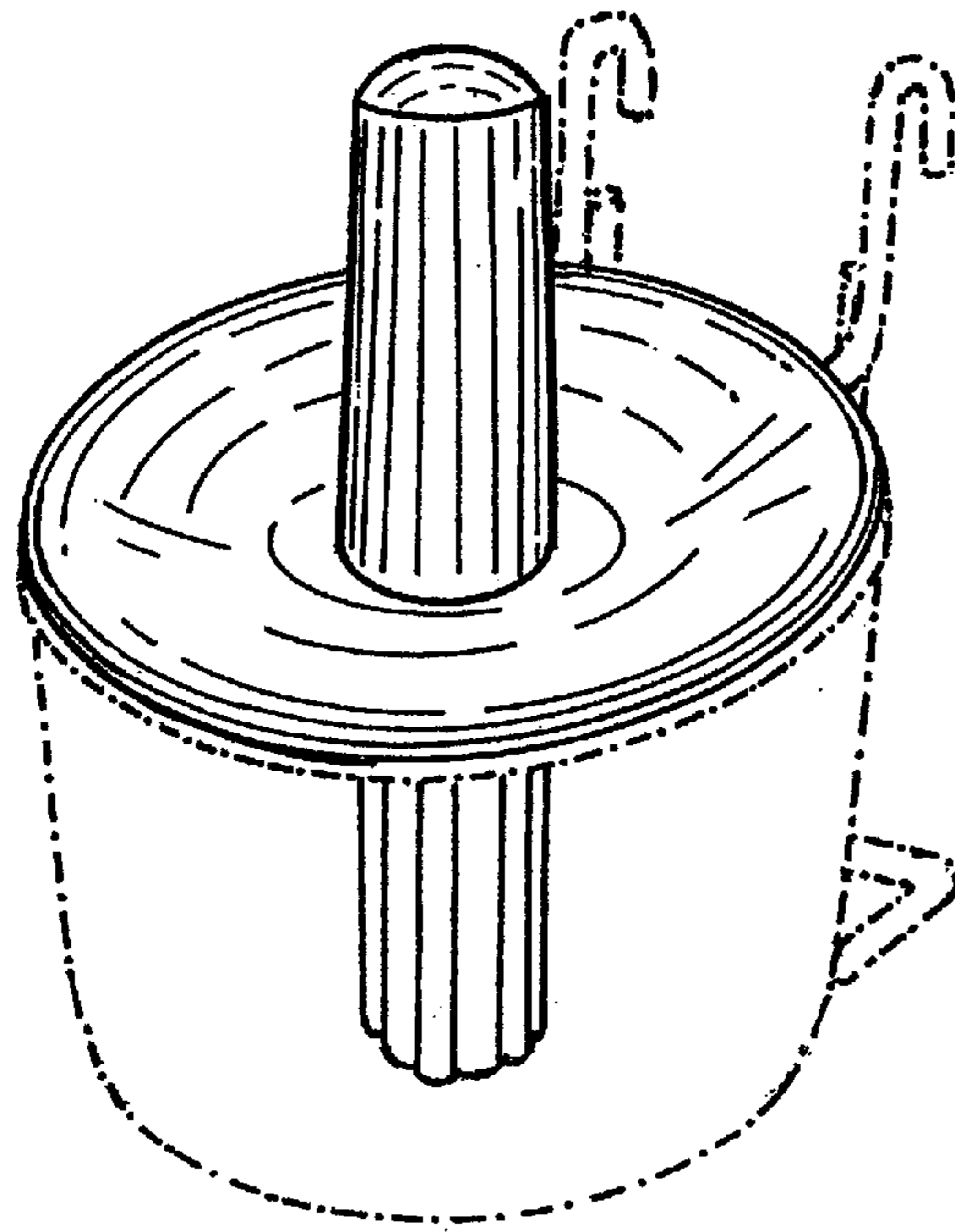


Fig. 1

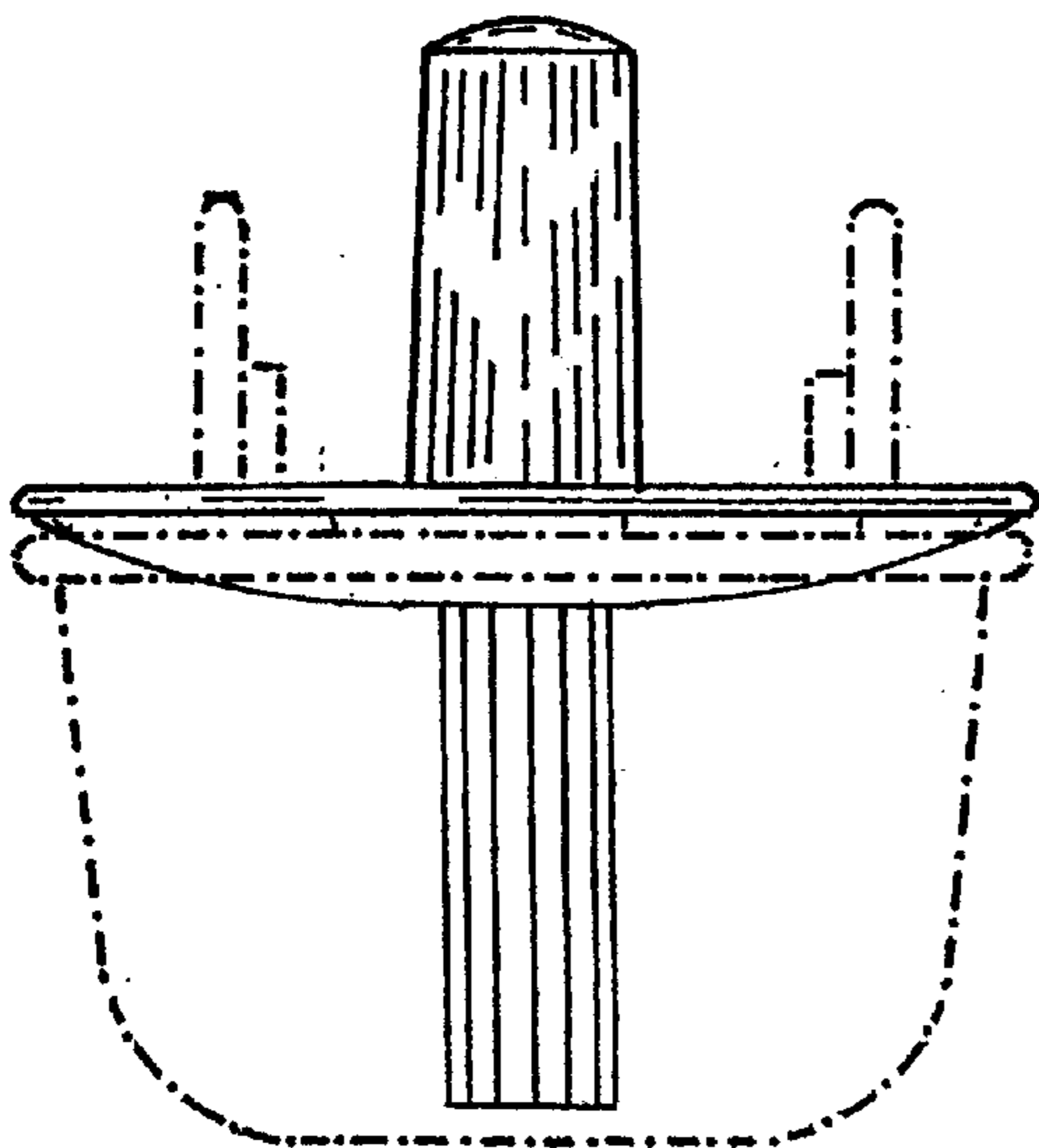


Fig. 2

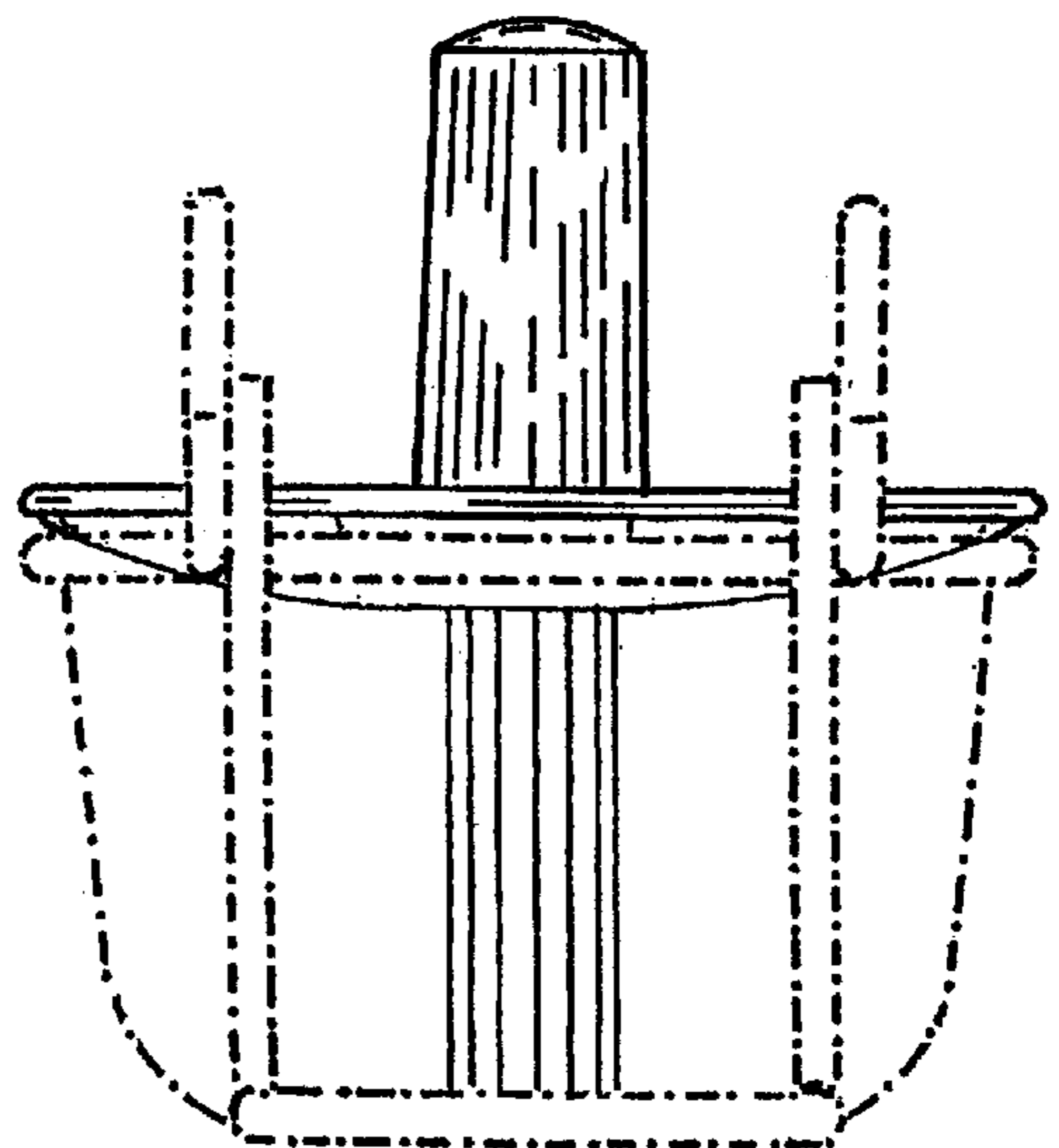


Fig. 3

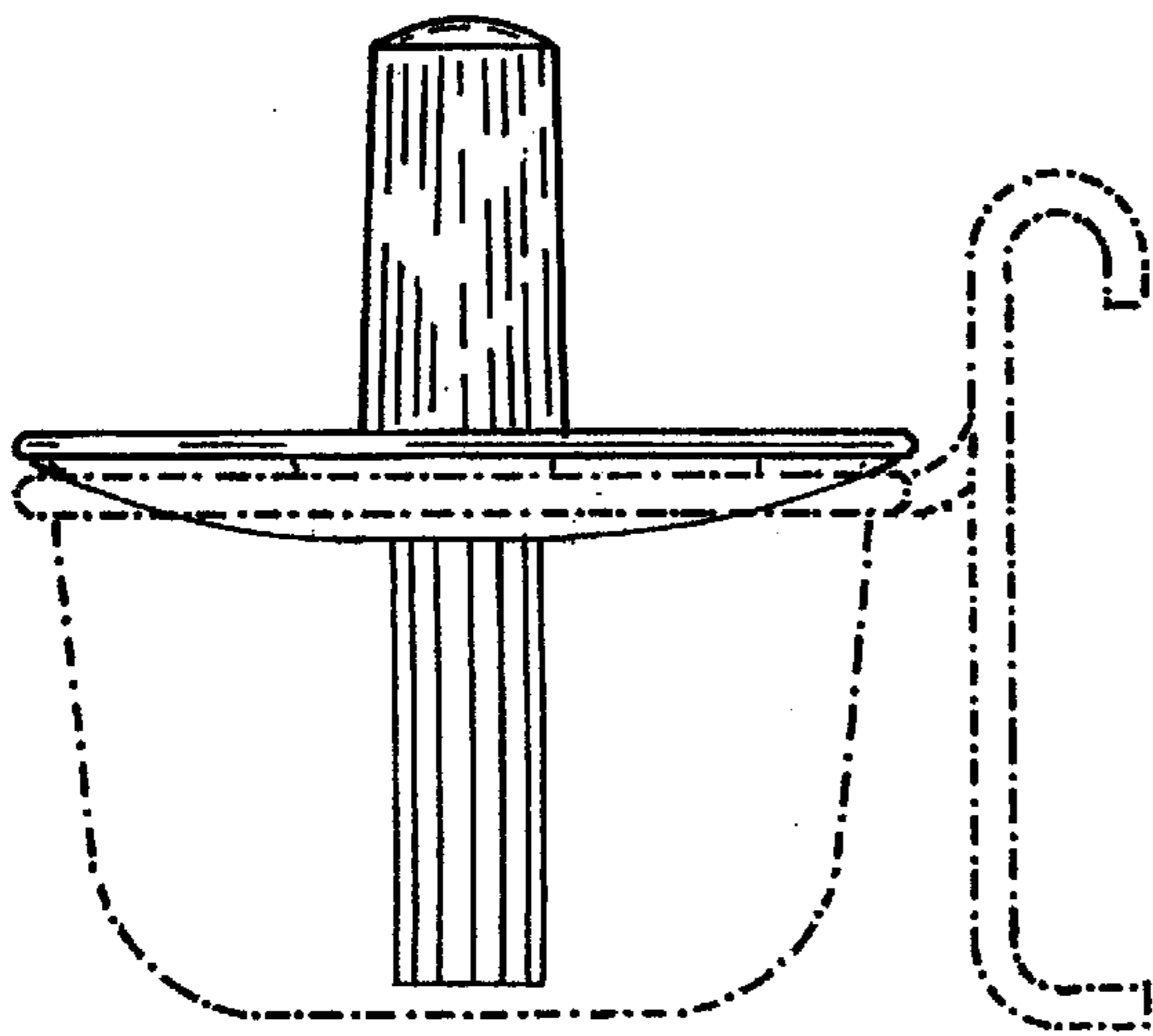


Fig. 4

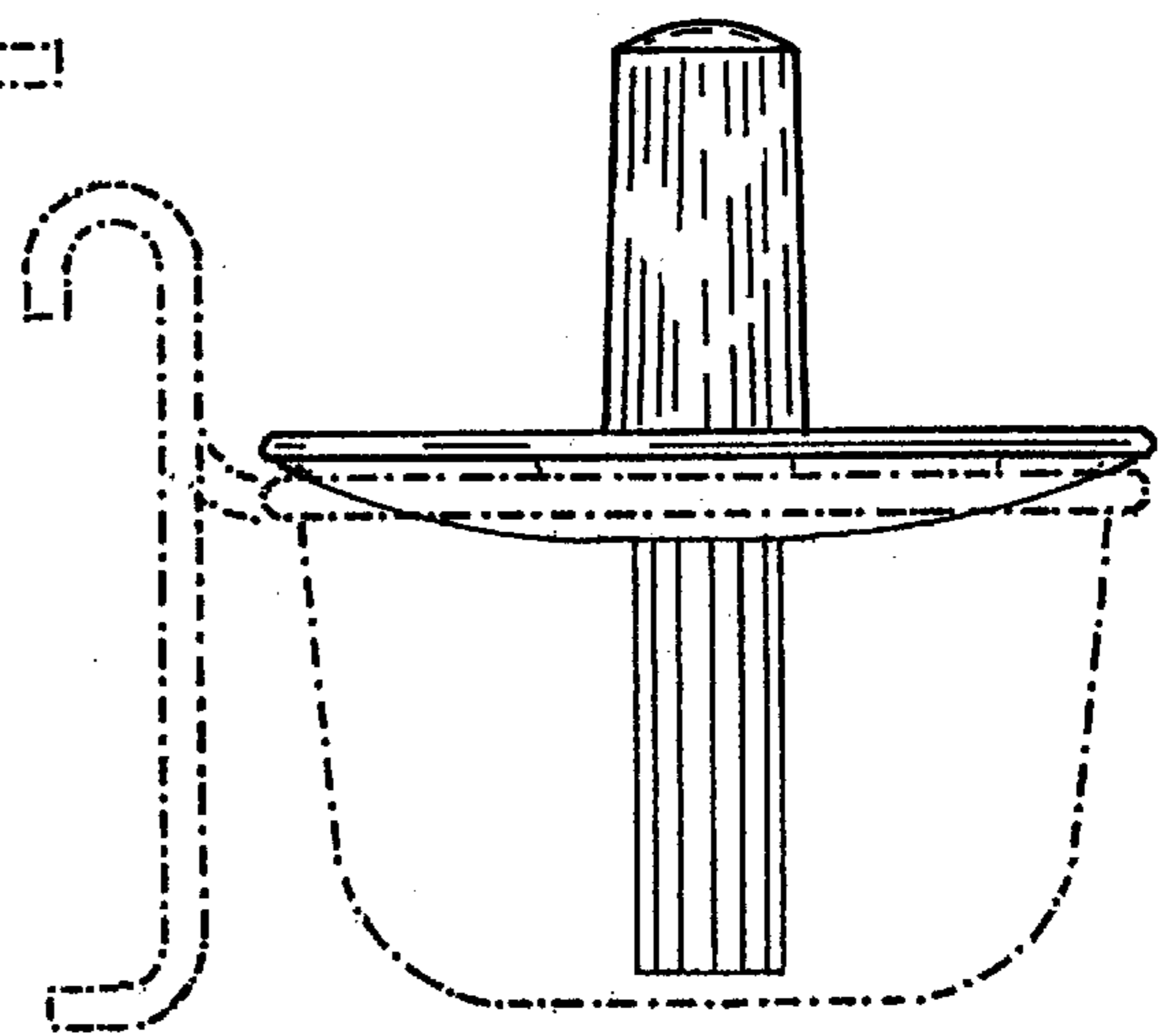


Fig. 5

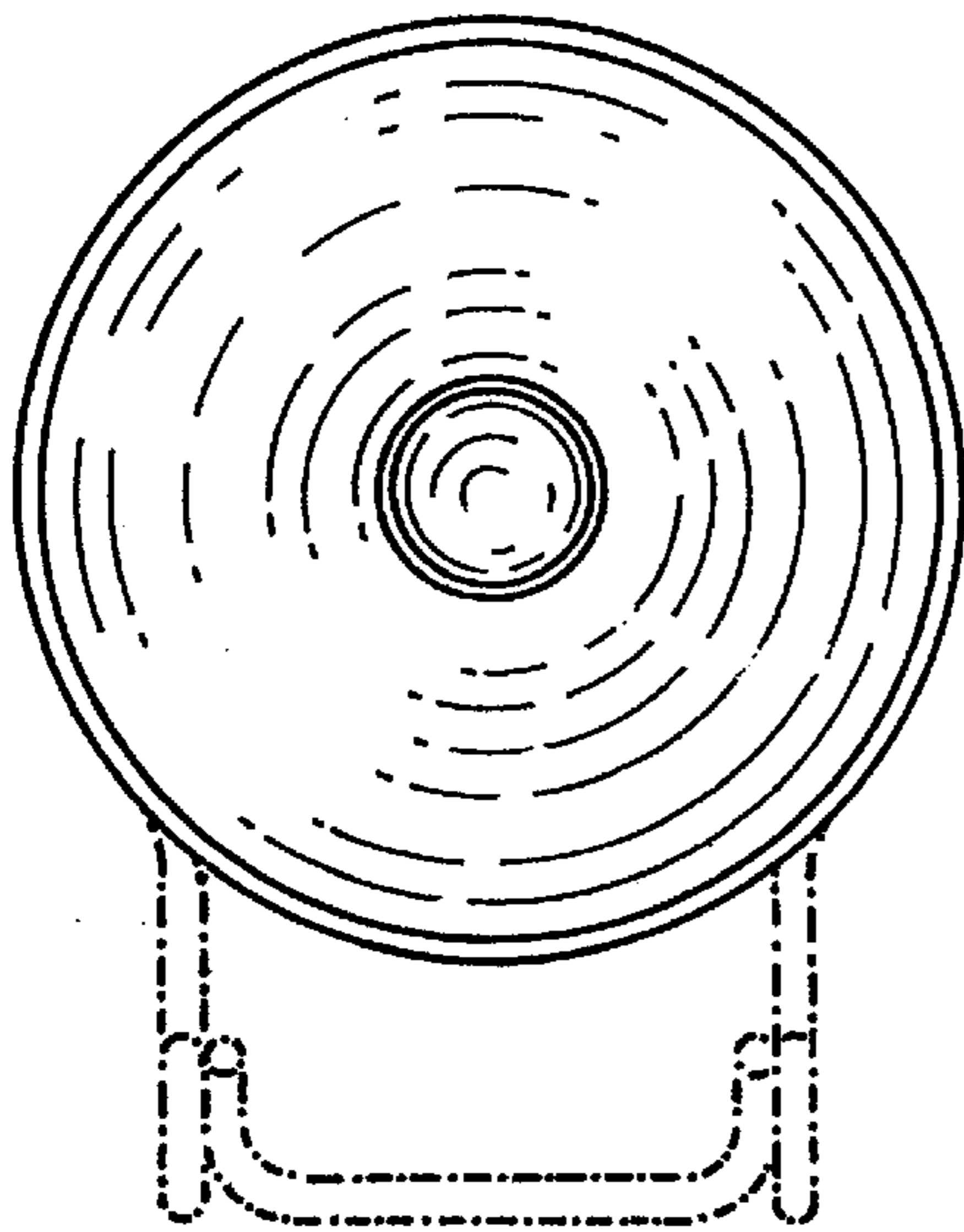


Fig. 6

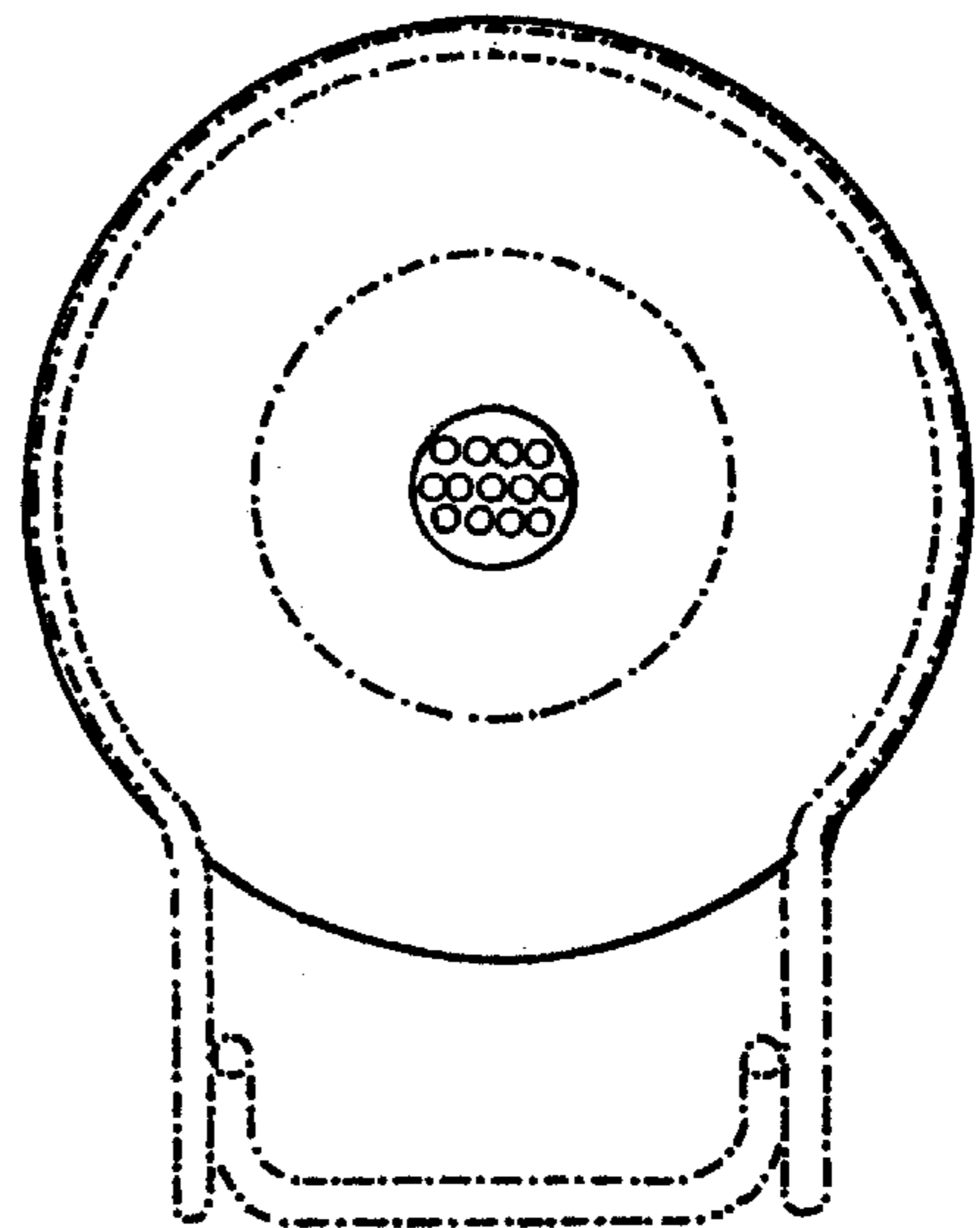


Fig. 7