



US00D456134S

(12) **United States Design Patent**
Buck

(10) **Patent No.:** **US D456,134 S**

(45) **Date of Patent:** **** Apr. 30, 2002**

(54) **FISHING TACKLE BOX**

(76) Inventor: **David Buck**, 601 Oak St., Lakehurst,
NJ (US) 08733

(**) Term: **14 Years**

(21) Appl. No.: **29/142,783**

(22) Filed: **Jun. 1, 2001**

(51) **LOC (7) Cl.** **03-01**

(52) **U.S. Cl.** **D3/276; D3/272; D3/283;**
D3/905

(58) **Field of Search** D3/905, 272, 260,
D3/273, 276, 280, 283, 284, 291, 292,
294, 295, 296, 302, 904; 206/315.11; 190/21,
29, 25, 27, 32, 115, 109-111

(56) **References Cited**

U.S. PATENT DOCUMENTS

940,421	A	*	11/1909	Bain	D3/272
3,399,939	A	*	9/1968	Anderson	206/315.11
3,948,579	A	*	4/1976	Schirmer	D3/905
4,240,222	A	*	12/1980	Covington	206/315.11
D258,175	S	*	2/1981	Hazeltine	D3/283

4,892,241	A	1/1990	Mavrakis	224/216	
D355,299	S	2/1995	Lowden	D3/276	
D355,761	S	2/1995	Campana et al.	D3/273	
5,526,927	A	*	6/1996	McLemore	206/315.11
D379,561	S	*	6/1997	Watson	D3/905

* cited by examiner

Primary Examiner—Lucy Lieberman

(74) *Attorney, Agent, or Firm*—Goldstein Law Offices P.C.

(57) **CLAIM**

The ornamental design for a fishing tackle box, as shown and described.

DESCRIPTION

FIG. 1 is a perspective view of a fishing tackle box.
 FIG. 2 is a front elevational view thereof, the rear elevational view being a mirror image of the front view.
 FIG. 3 is a top plan view thereof.
 FIG. 4 is a bottom plan view thereof.
 FIG. 5 is a left side elevational view of the fishing tackle box; and,
 FIG. 6 is a right side elevational view thereof.

1 Claim, 3 Drawing Sheets

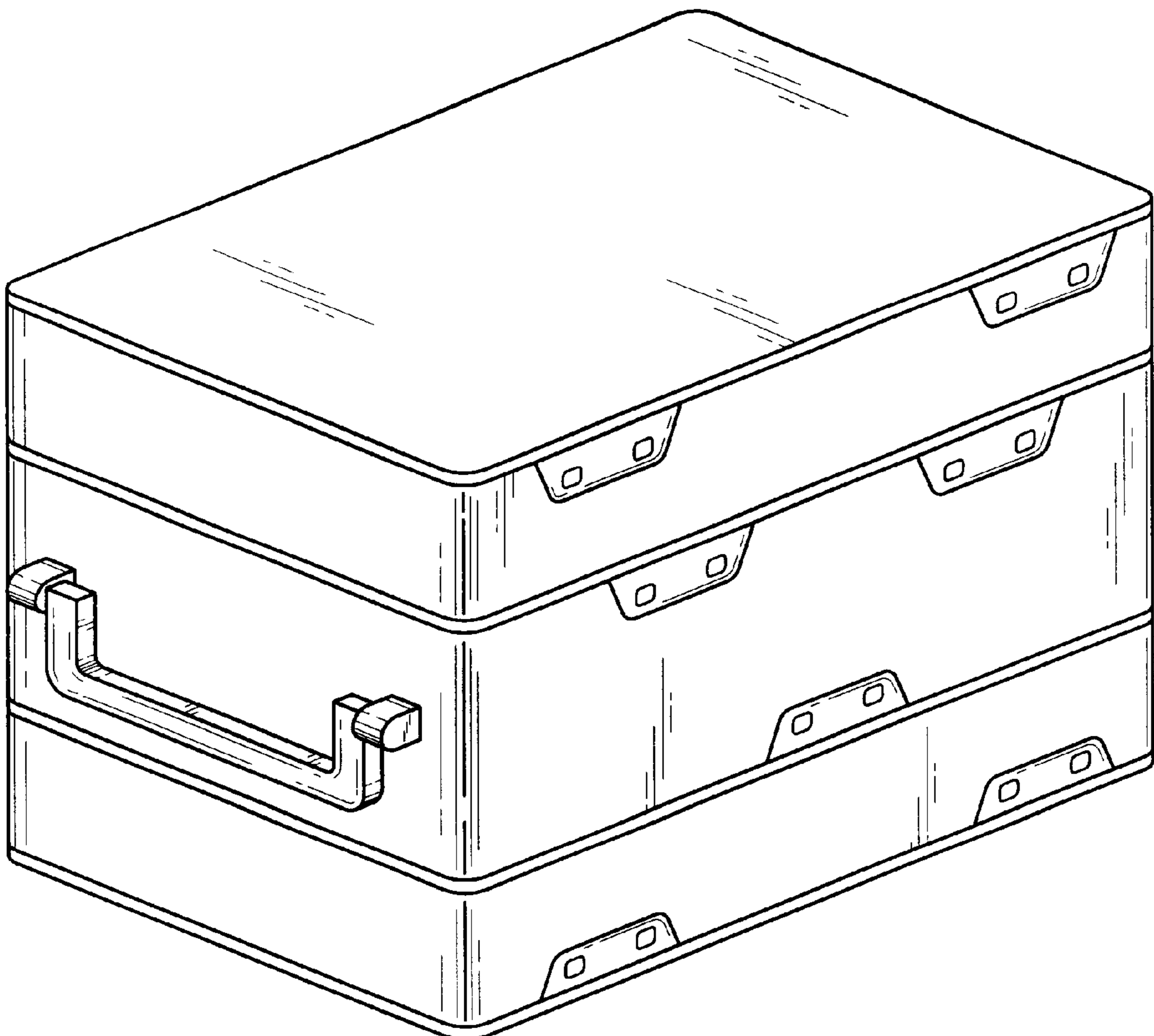


Fig. 1

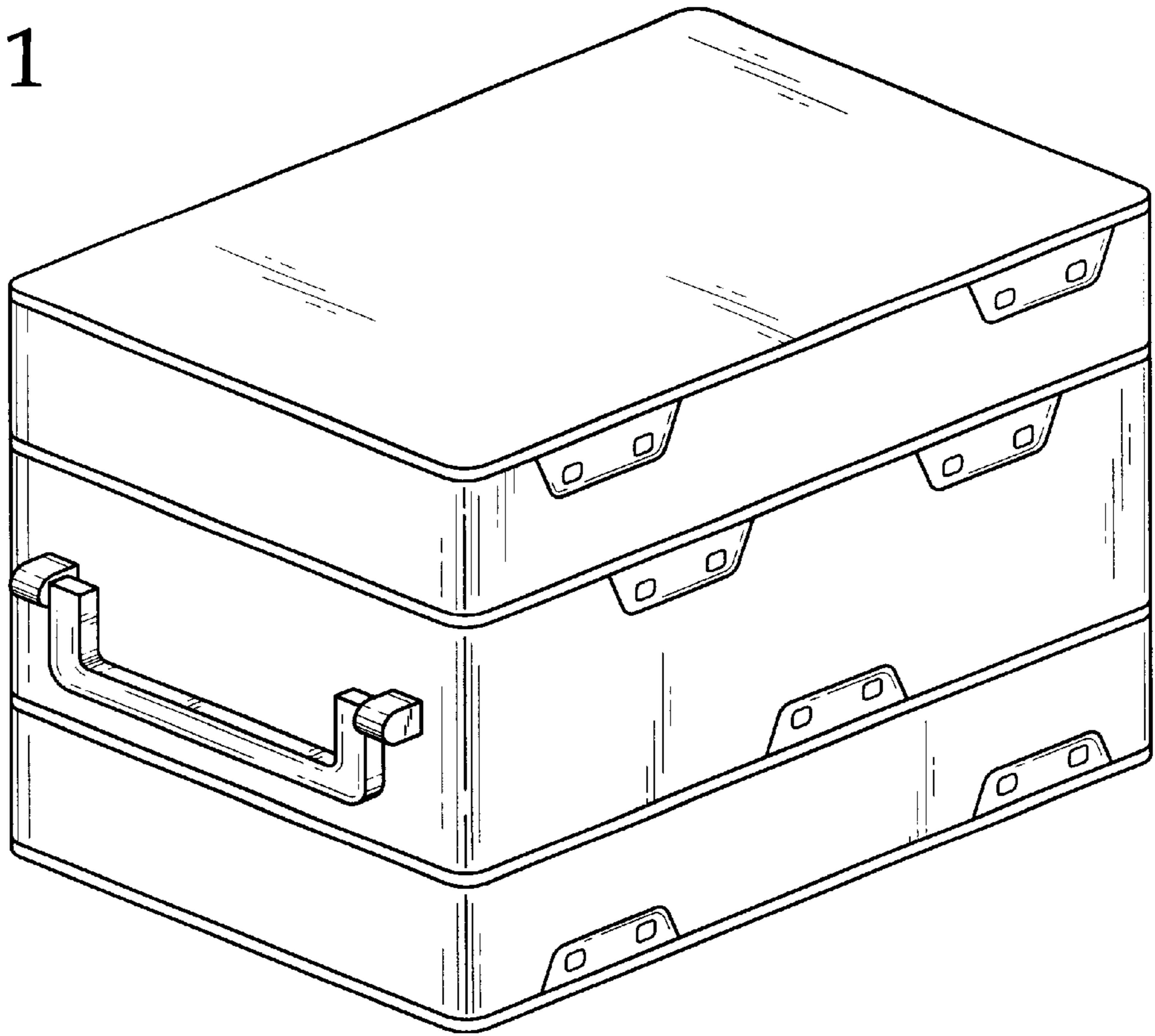


Fig. 2

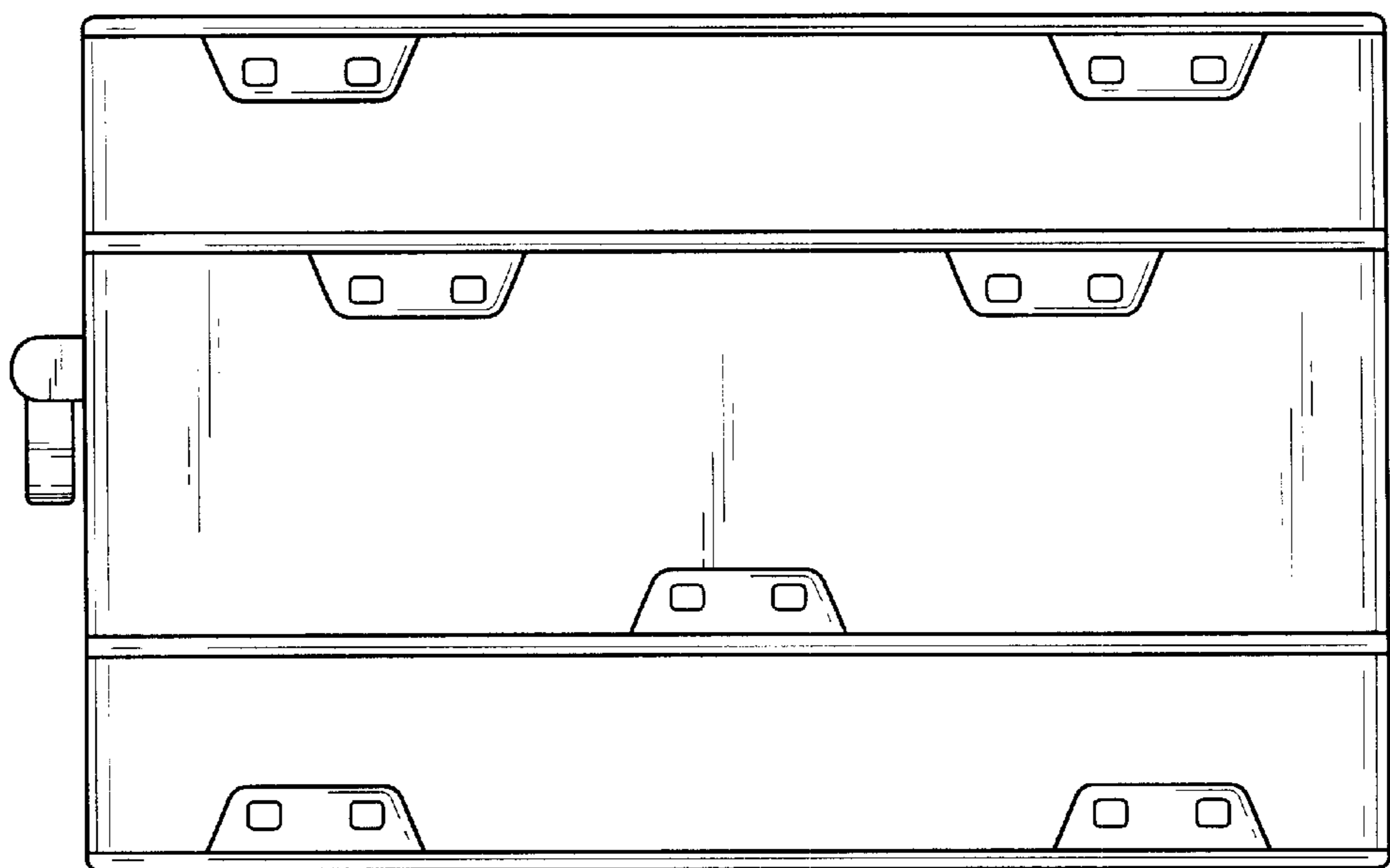


Fig. 3

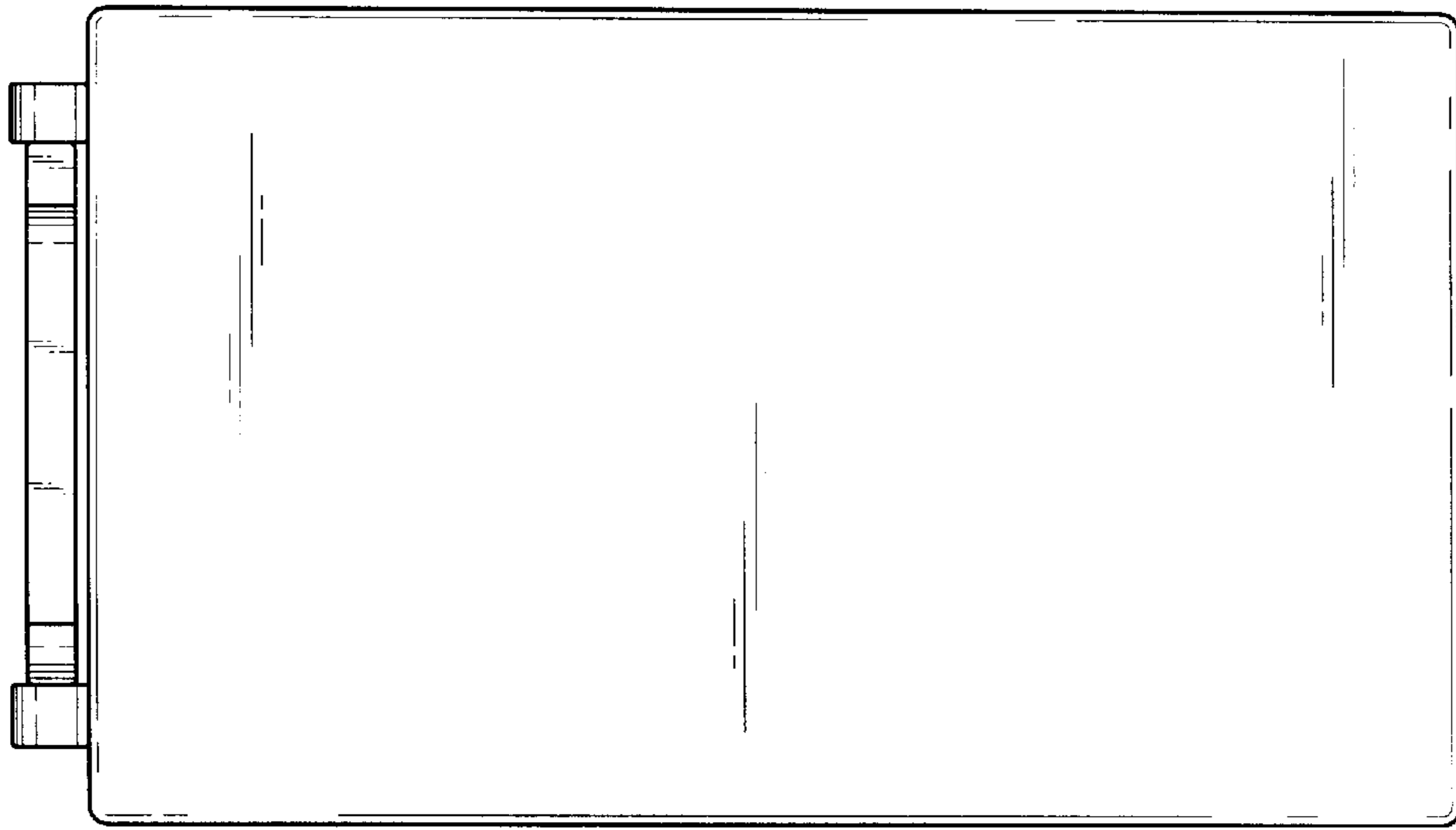
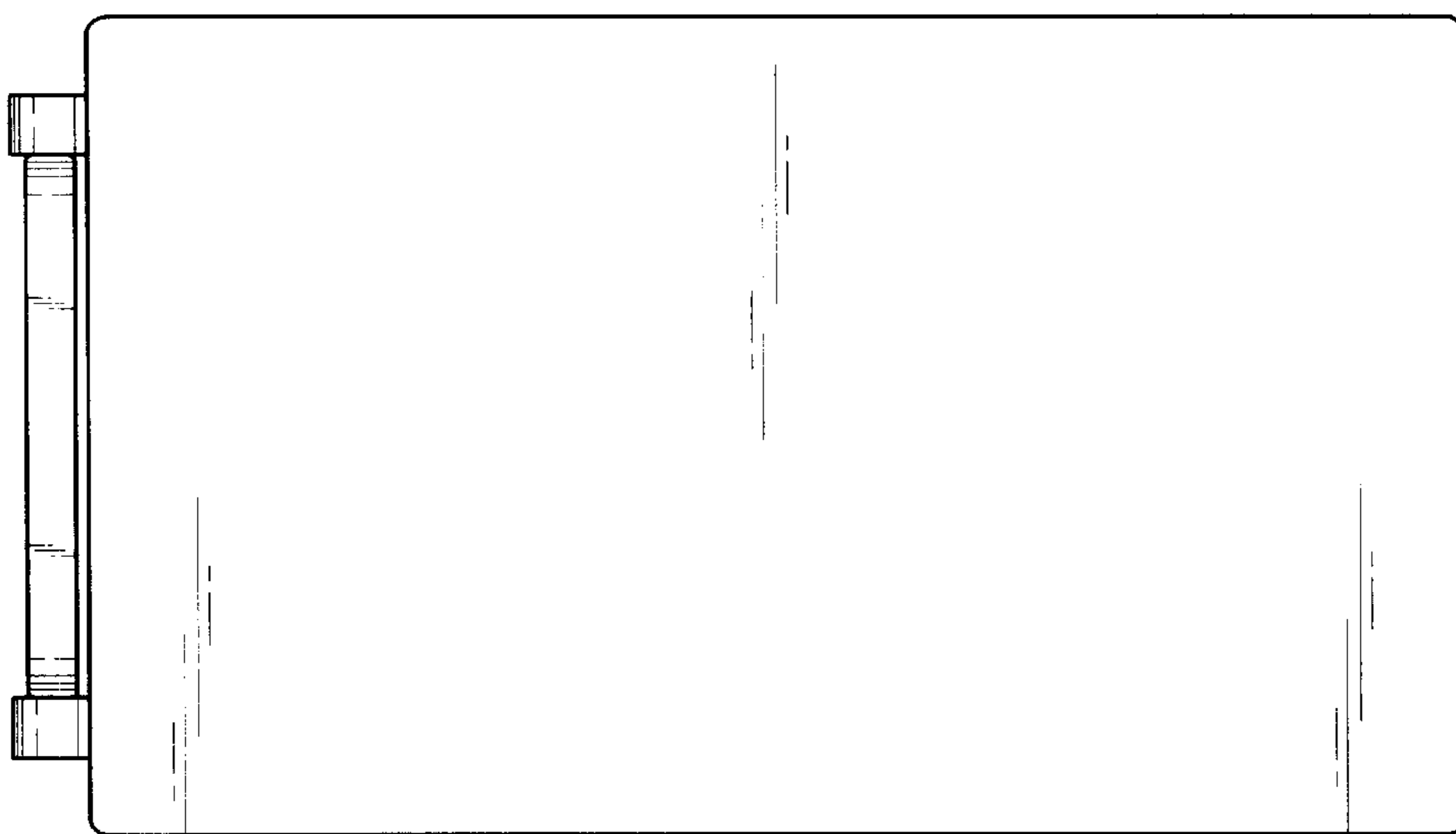


Fig. 4



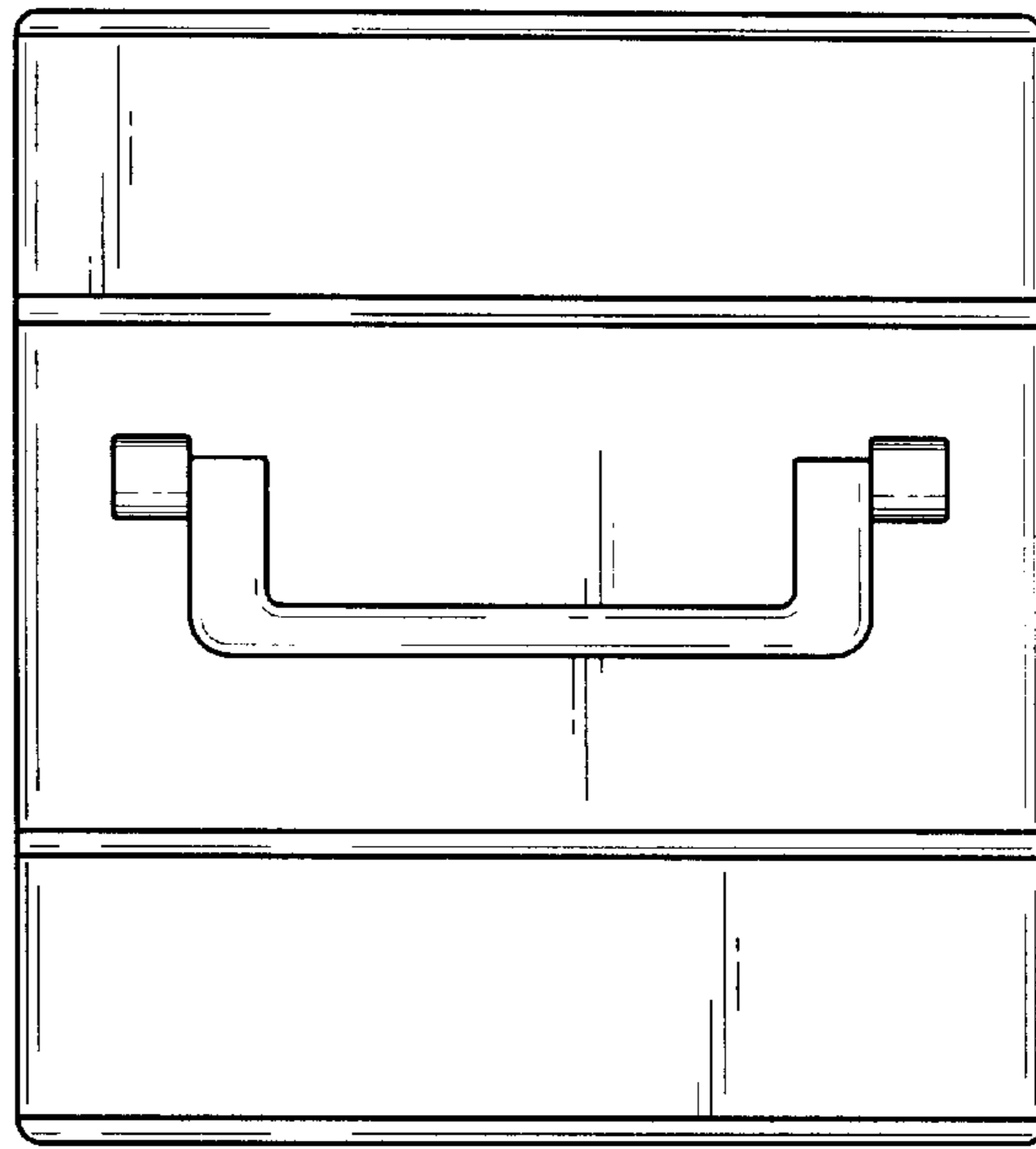


Fig. 5

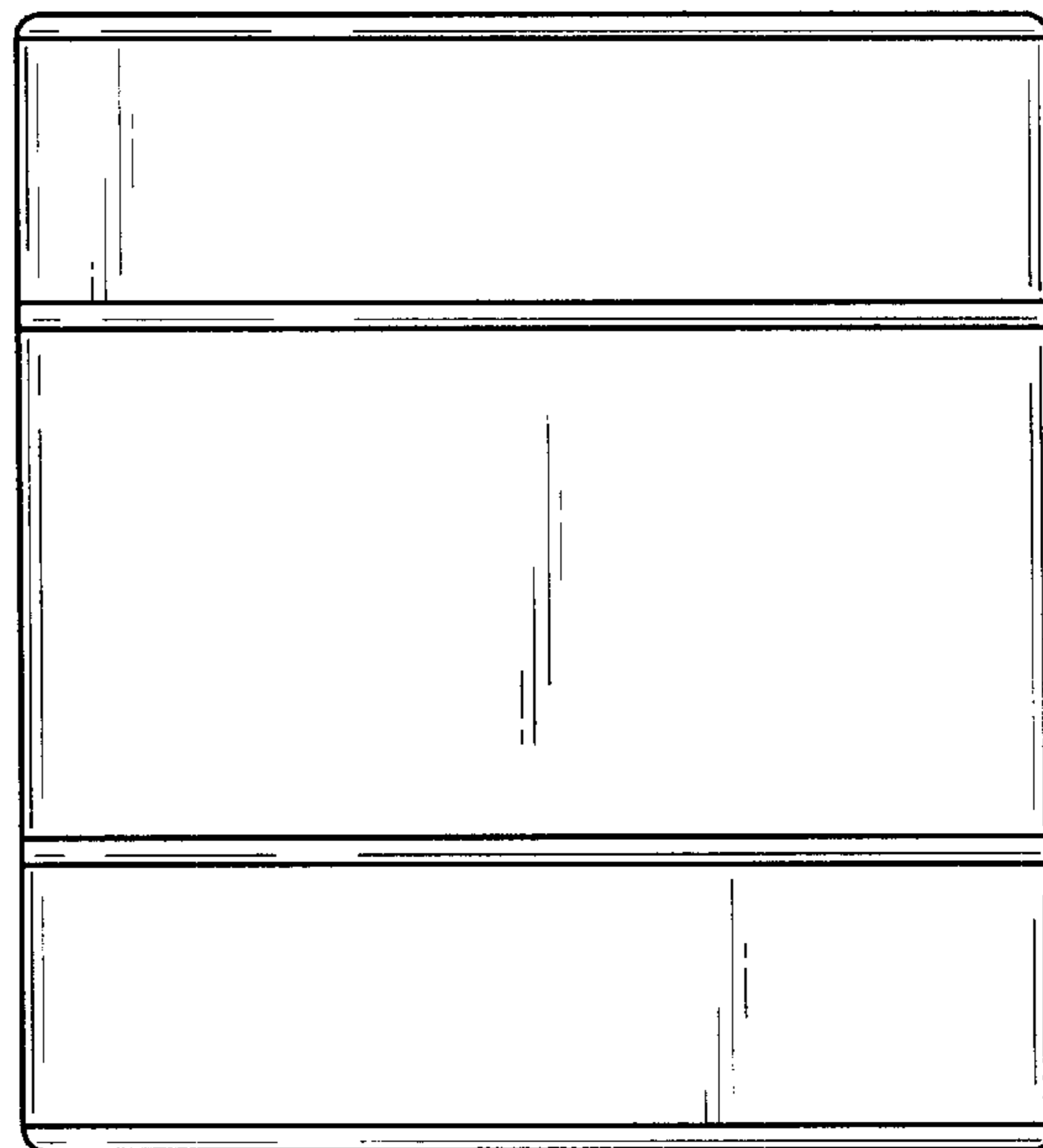


Fig. 6