



US00D456124S

(12) **United States Design Patent**
Ford

(10) **Patent No.:** **US D456,124 S**

(45) **Date of Patent:** **** Apr. 30, 2002**

(54) **PEDICURE SLIPPER**

D433,555 S * 11/2000 Lu D2/916

(76) Inventor: **Judit K. Ford**, 12401 El Oro Way,
Granada Hills, CA (US) 91344

* cited by examiner

(**) Term: **14 Years**

Primary Examiner—Louis S. Zarfes

Assistant Examiner—Gregory Andoll

(21) Appl. No.: **29/138,850**

(74) *Attorney, Agent, or Firm*—Kelly Bauersfeld Lowry &
Kelley, LLP

(22) Filed: **Mar. 16, 2001**

(57) **CLAIM**

(51) **LOC (7) Cl.** **02-04**

The ornamental design for a pedicure slipper, as shown.

(52) **U.S. Cl.** **D2/919; D2/916**

DESCRIPTION

(58) **Field of Search** D2/897, 900, 902,
D2/916–924, 946–960, 969, 971; 36/84,
88, 90, 94, 101, 3 A, 7.7, 7.5, 11.5, 9 R,
10, 28, 45, 30 A, 50.1

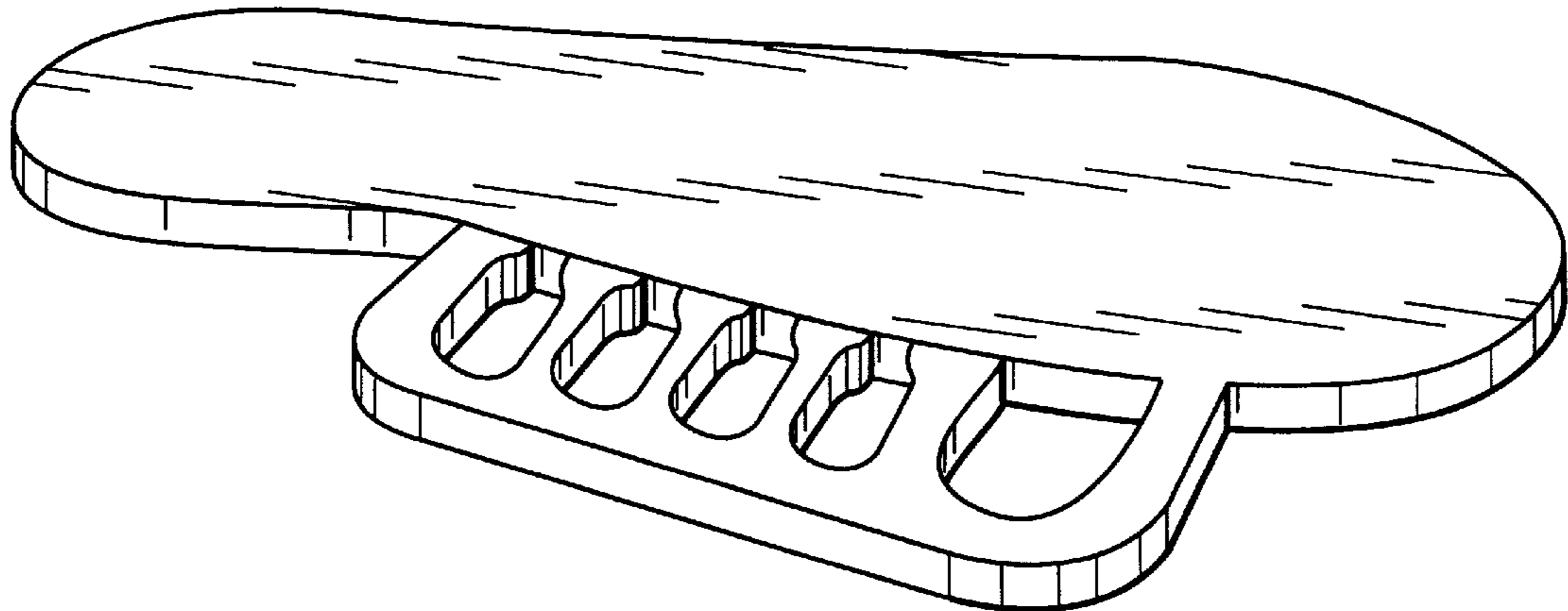
FIG. 1 is a top and side perspective view of a pedicure slipper embodying my new design;
FIG. 2 is a front elevational view thereof;
FIG. 3 is a rear elevational view thereof;
FIG. 4 is a right side elevational view thereof;
FIG. 5 is a left side elevational view thereof;
FIG. 6 is a bottom plan view thereof; and,
FIG. 7 is a top plan view thereof.

(56) **References Cited**

U.S. PATENT DOCUMENTS

- 2,744,340 A * 5/1956 Gerber 36/11.5
- D292,841 S * 11/1987 Sexton et al. D2/917
- 4,864,736 A * 9/1989 Bierk 36/11.5

1 Claim, 2 Drawing Sheets



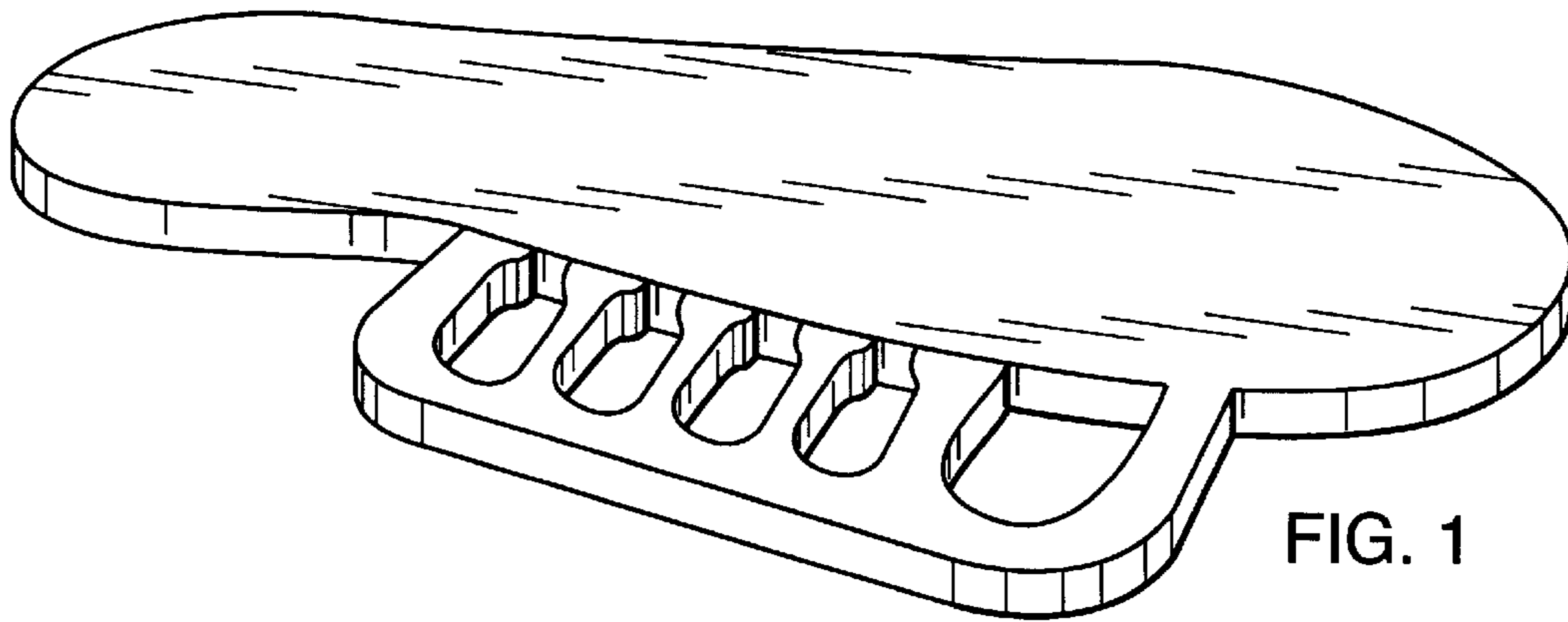


FIG. 1

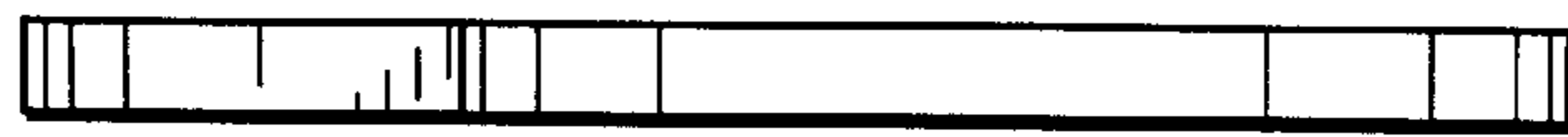


FIG. 2



FIG. 3



FIG. 4



FIG. 5

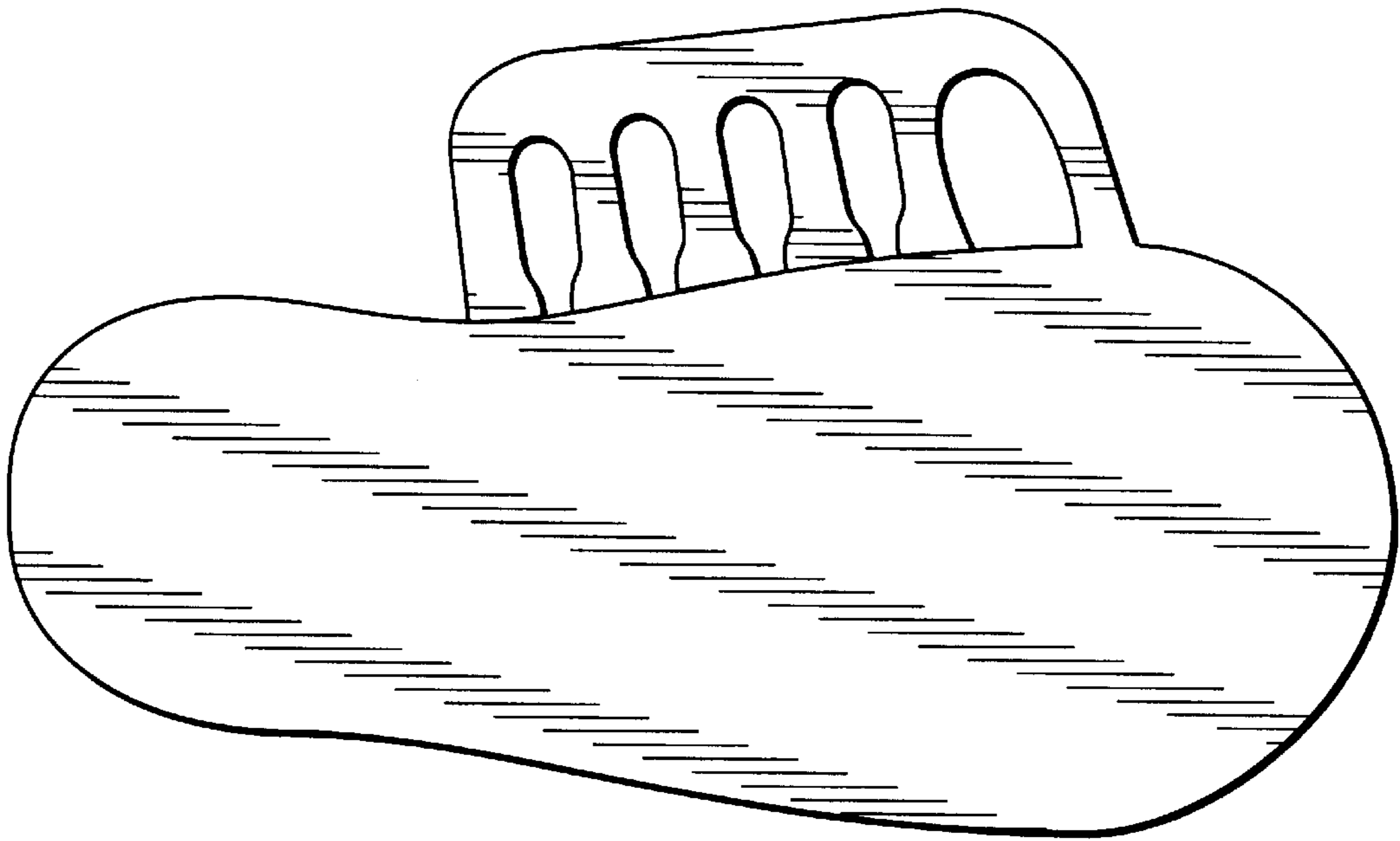


FIG. 6

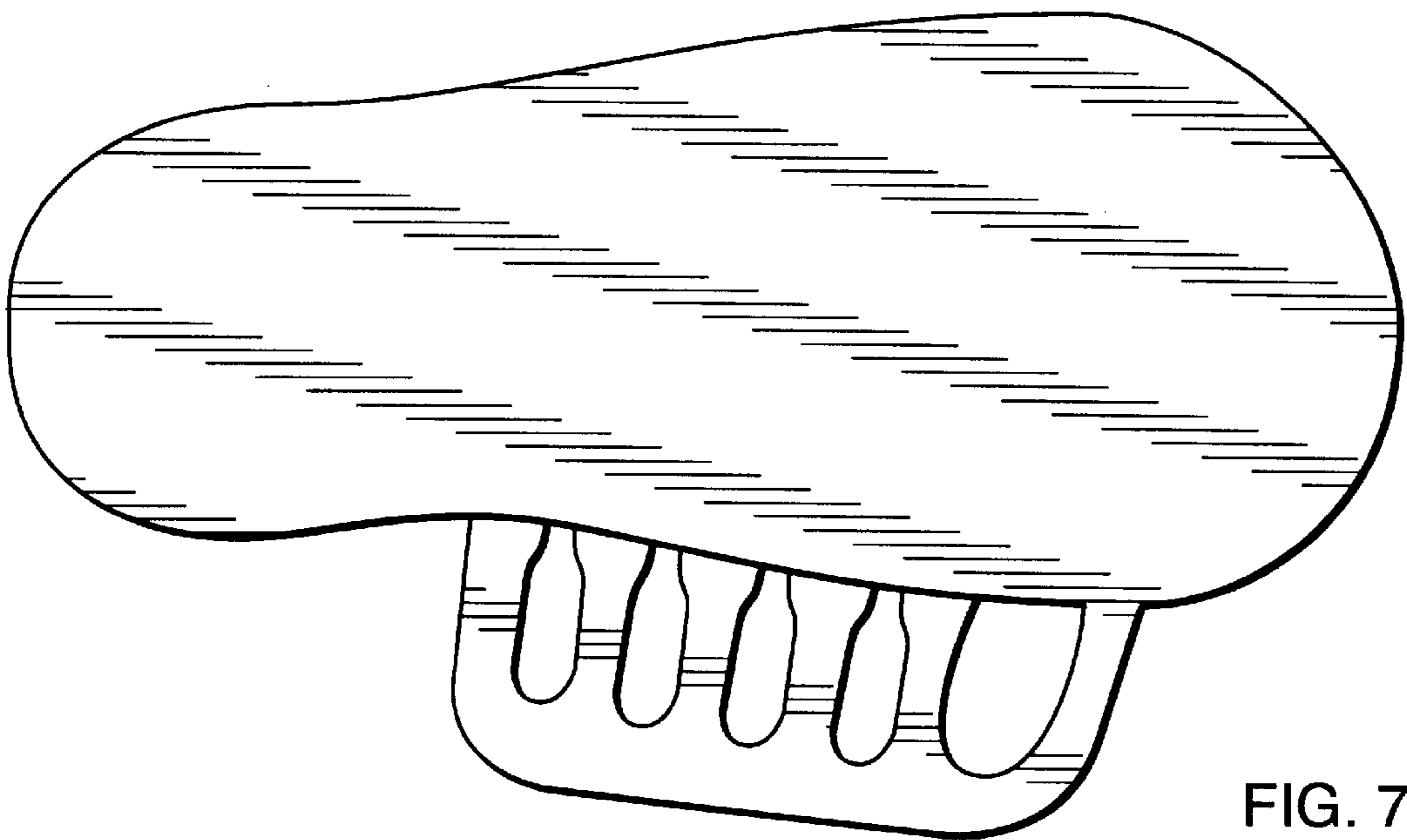


FIG. 7