



US00D456121S

(12) **United States Design Patent**  
**Smith, III**

(10) **Patent No.:** **US D456,121 S**

(45) **Date of Patent:** **\*\* Apr. 30, 2002**

- (54) **SPAT FOR A SHOE**
- (75) Inventor: **Wilson W. Smith, III**, Tualatin, OR (US)
- (73) Assignee: **Nike, Inc.**, Beaverton, OR (US)
- (\*\*) Term: **14 Years**
- (21) Appl. No.: **29/147,140**
- (22) Filed: **Aug. 24, 2001**
- (51) **LOC (7) Cl.** ..... **02-99**
- (52) **U.S. Cl.** ..... **D2/901; D2/976**
- (58) **Field of Search** ..... D2/896, 901, 902, D2/907, 943, 946, 969, 972, 973, 976; 36/1, 45, 50.1, 51, 72 R, 77 M, 77 R, 81, 83, 88, 113, 114, 126-130

- D377,410 S \* 1/1997 Crowley ..... D2/976 X
- D377,958 S 2/1997 Chen
- D380,287 S 7/1997 Chen
- D390,296 S 2/1998 Lee
- D398,769 S 9/1998 Avar
- D418,967 S 1/2000 Stengel
- D431,713 S \* 10/2000 Wilson ..... D2/969
- D431,716 S 10/2000 Hatfield et al.
- D442,772 S 5/2001 Dietrich
- D452,070 S \* 12/2001 Holmes ..... D2/972

**OTHER PUBLICATIONS**

Nike Footwear Catalog Fall 1989, pp. 22 and 34, published Dec. 1988.  
 Nike Footwear Catalog Spring 1991, p. 8, published Jun. 1990.  
 Jordan Footwear Catalog Fall 2001, p. 1, published Nov. 2000.

\* cited by examiner

*Primary Examiner*—Dominic Simone

(74) *Attorney, Agent, or Firm*—Banner & Witcoff, Ltd.

(56) **References Cited**

**U.S. PATENT DOCUMENTS**

- D55,394 S \* 6/1920 Moolten ..... D2/901
- D62,925 S 8/1923 Thomas
- 1,709,541 A 4/1929 Rauh
- D92,282 S \* 5/1934 Andrews ..... D2/976 X
- 2,021,189 A 11/1935 McClure
- 2,022,554 A \* 11/1935 Williams ..... 36/54
- D99,879 S 6/1936 McClure
- 2,126,022 A 8/1938 Manolis
- D160,743 S 10/1950 Richardson
- D164,595 S \* 9/1951 Owen, Jr. et al. .... D2/901 X
- 2,887,795 A \* 5/1959 Taicher ..... 36/1 X
- 3,175,292 A \* 3/1965 MacQuaid et al. .... 36/72 R
- 3,241,153 A 3/1966 Brewer
- 3,473,198 A \* 10/1969 Meier ..... 36/1 X
- D265,438 S 7/1982 Jaffe
- 4,665,633 A 5/1987 Edgerton
- 4,811,497 A 3/1989 Ciudad
- D312,919 S 12/1990 Aveni
- 5,165,190 A 11/1992 Smyth
- D333,552 S 3/1993 Berger et al.
- D336,972 S 7/1993 Diaz
- 5,307,569 A \* 5/1994 Melcher ..... 36/50.1
- 5,313,719 A \* 5/1994 Koethe ..... 36/72 R
- D369,455 S 5/1996 Halvorson

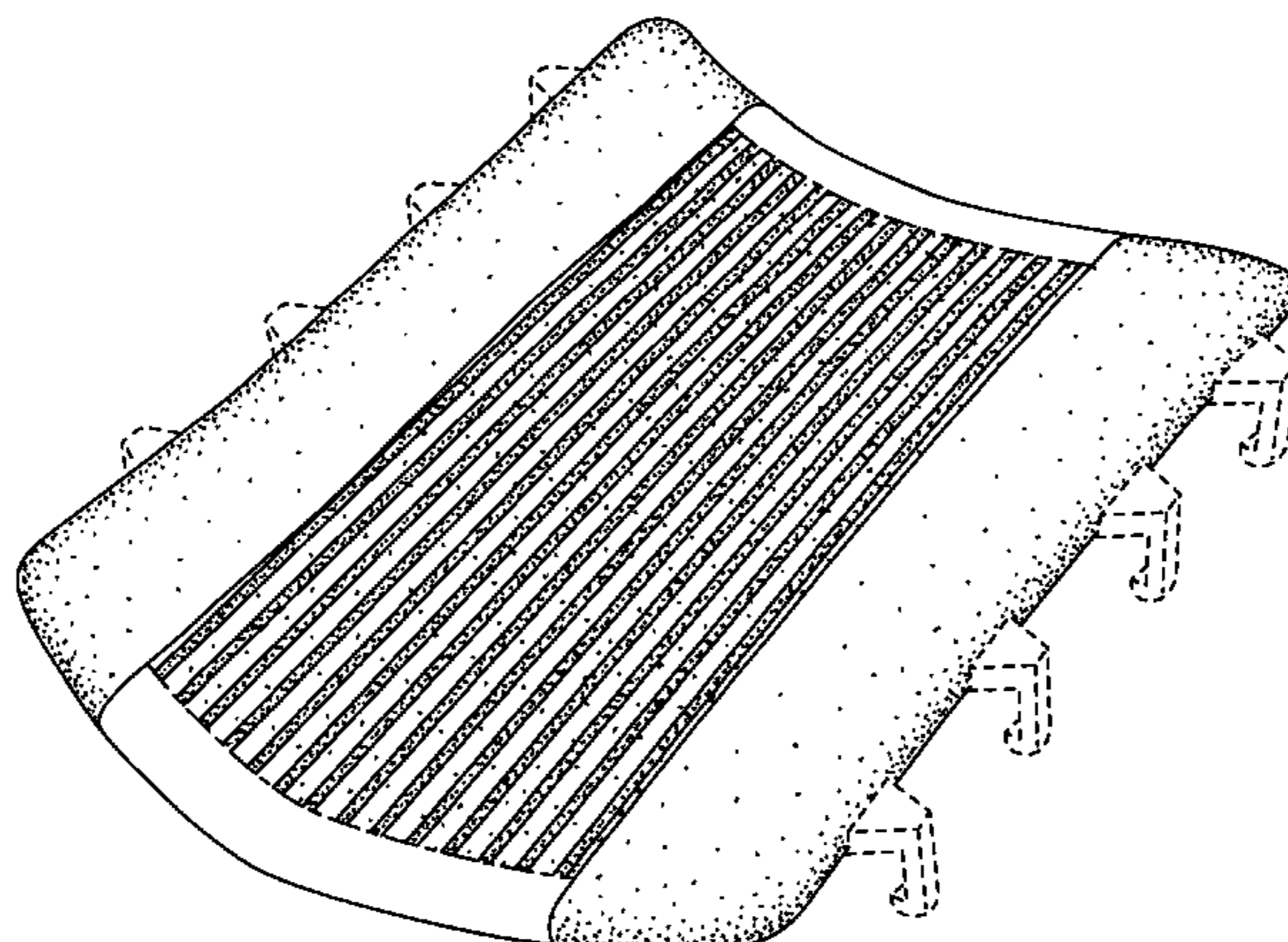
(57) **CLAIM**

The ornamental design for a spat for a shoe, as shown and described.

**DESCRIPTION**

FIG. 1 is a perspective view of a spat for a shoe showing my new design;  
 FIG. 2 is a top plan view thereof;  
 FIG. 3 an elevational view of one side, the opposite side being a mirror image thereof;  
 FIG. 4 is a front elevational view thereof;  
 FIG. 5 is a rear elevational view thereof; and,  
 FIG. 6 is a perspective view of the spat shown on a shoe which has been disclaimed by a broken line representation. The broken line showing of the ends of the center section and the fastening elements, and the unshaded end regions, the bottom of the spat, and the shoe in FIG. 6 are for illustrative purposes only and form no part of the claimed design.

**1 Claim, 3 Drawing Sheets**



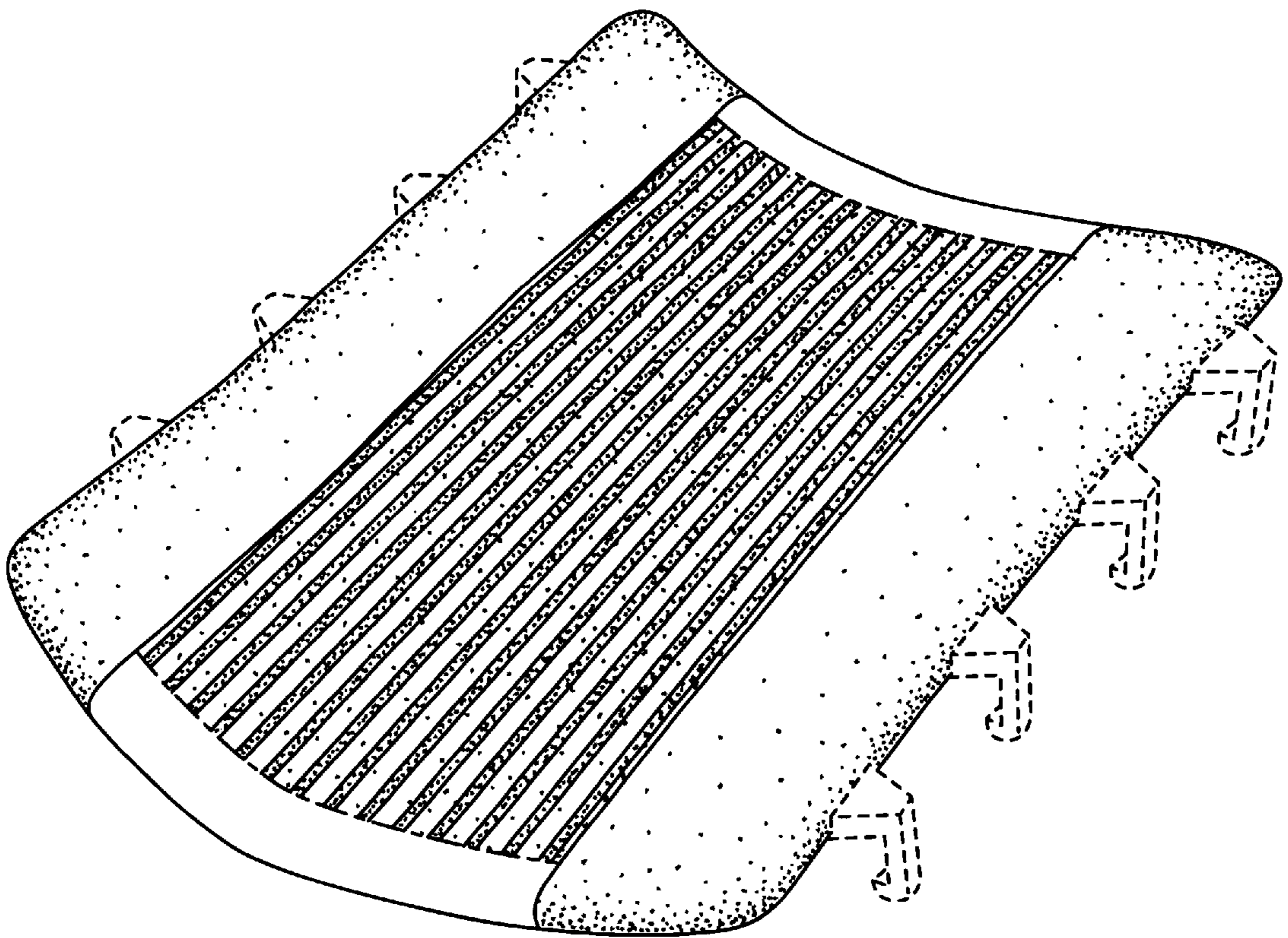


FIG. 1

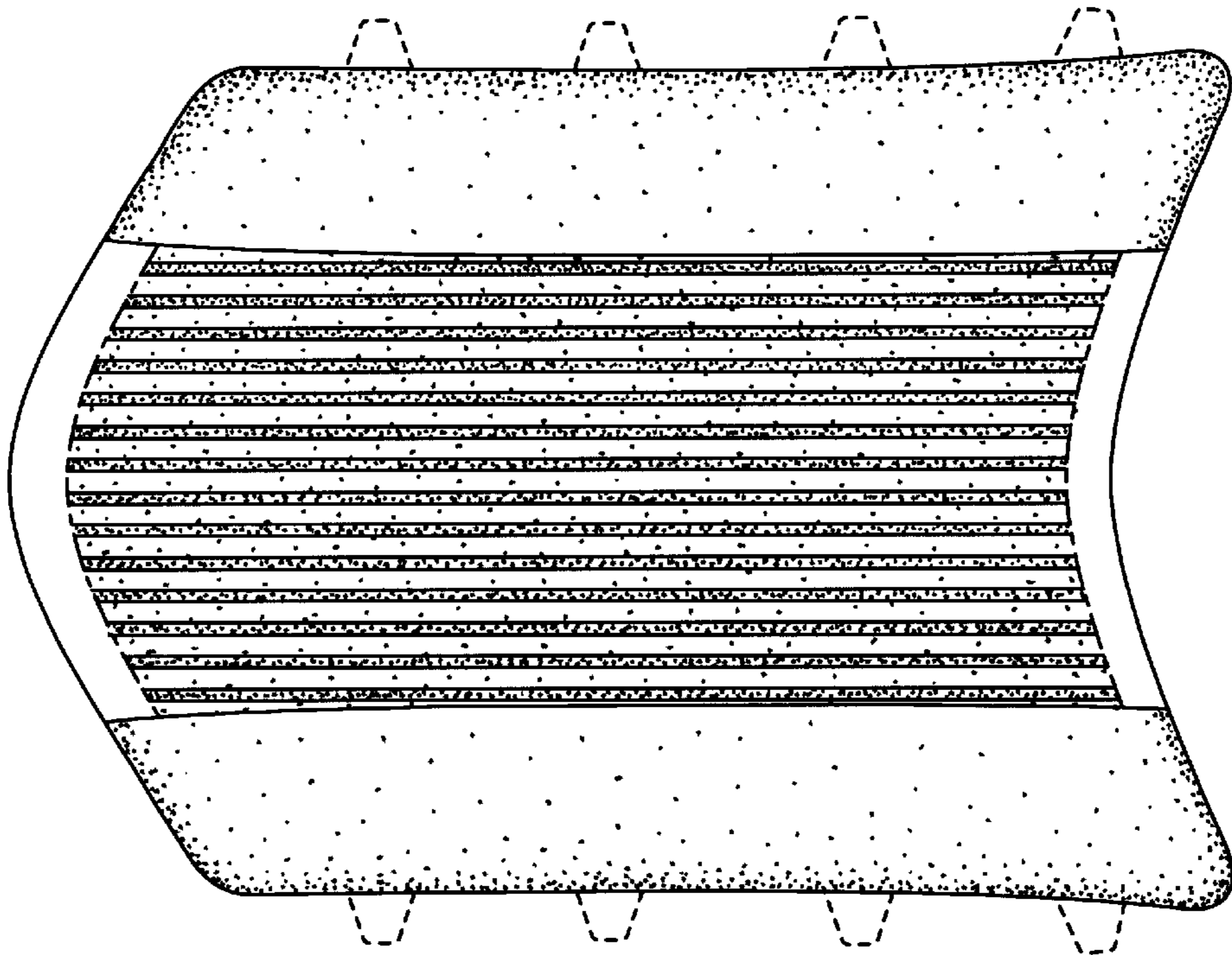


FIG. 2



FIG. 3

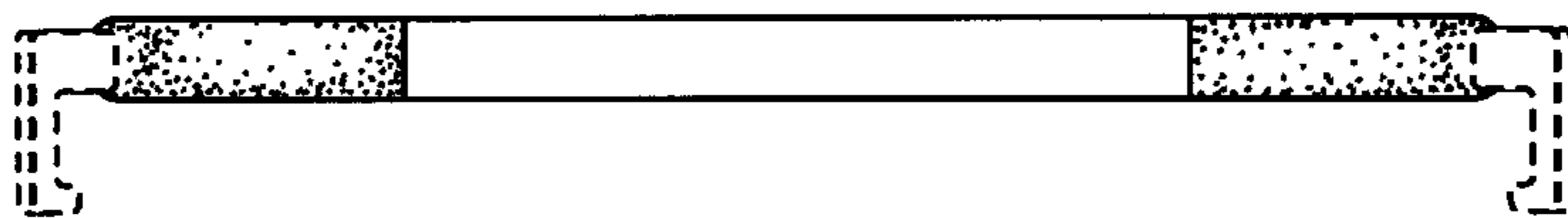


FIG. 4

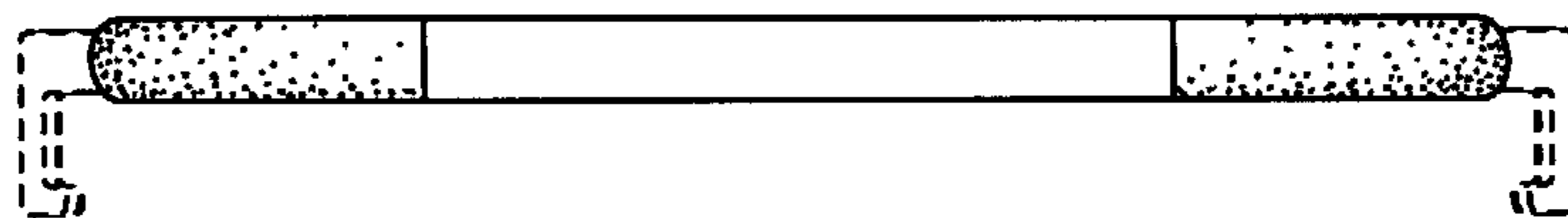


FIG. 5

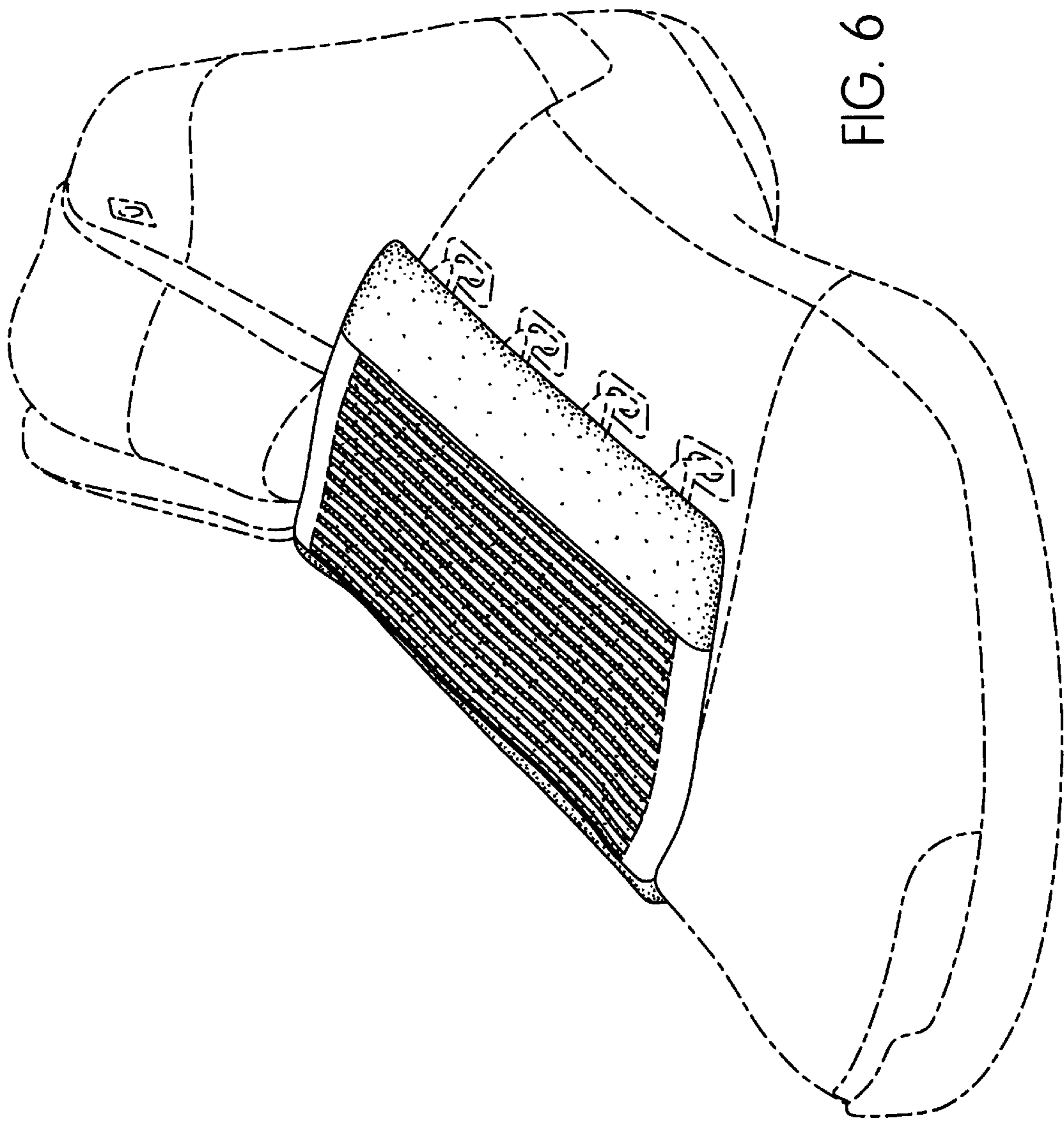


FIG. 6