



US00D456115S

(12) **United States Design Patent**
Johnston

(10) **Patent No.:** **US D456,115 S**

(45) **Date of Patent:** **** Apr. 30, 2002**

(54) **VEST WITH COOLING MEMBER ATTACHMENTS**

(75) **Inventor:** **Thomas Joseph Johnston**, Garden Grove, CA (US)

(73) **Assignee:** **No Fade Coatings, Inc.**, Garden Grove, CA (US)

(**) **Term:** **14 Years**

(21) **Appl. No.:** **29/139,047**

(22) **Filed:** **Mar. 22, 2001**

(51) **LOC (7) Cl.** **02-02**

(52) **U.S. Cl.** **D2/828**

(58) **Field of Search** D2/828-830, 839, D2/840, 845, 847, 860, 863, 864; 2/1, 102, 458, 459, 462-465, 108, 126, 128, 900, 913, DIG. 1; D29/100, 101; D24/188-190, 200

(56) **References Cited**

U.S. PATENT DOCUMENTS

- D211,076 S * 5/1968 Speridon D29/101
- D271,345 S * 11/1983 Banks D2/829
- D332,172 S * 1/1993 Lewis D2/829
- D409,820 S * 5/1999 Ruscitti D29/101
- D426,937 S * 6/2000 Auster et al. D2/830

D430,958 S * 9/2000 Stiff D29/100

* cited by examiner

Primary Examiner—Louis S. Zarfes

Assistant Examiner—Deanne Levy

(74) *Attorney, Agent, or Firm*—Cislo & Thomas LLP

(57) **CLAIM**

The ornamental design for a vest with cooling member attachments, as shown and described herein.

DESCRIPTION

FIG. 1. Is a perspective view of my vest with cooling member attachments showing my new design in the open position;

FIG. 2. Is a front view of my vest with cooling member attachments thereof in the closed position;

FIG. 3. Is a back view of the vest with cooling member attachments shown in FIG. 2;

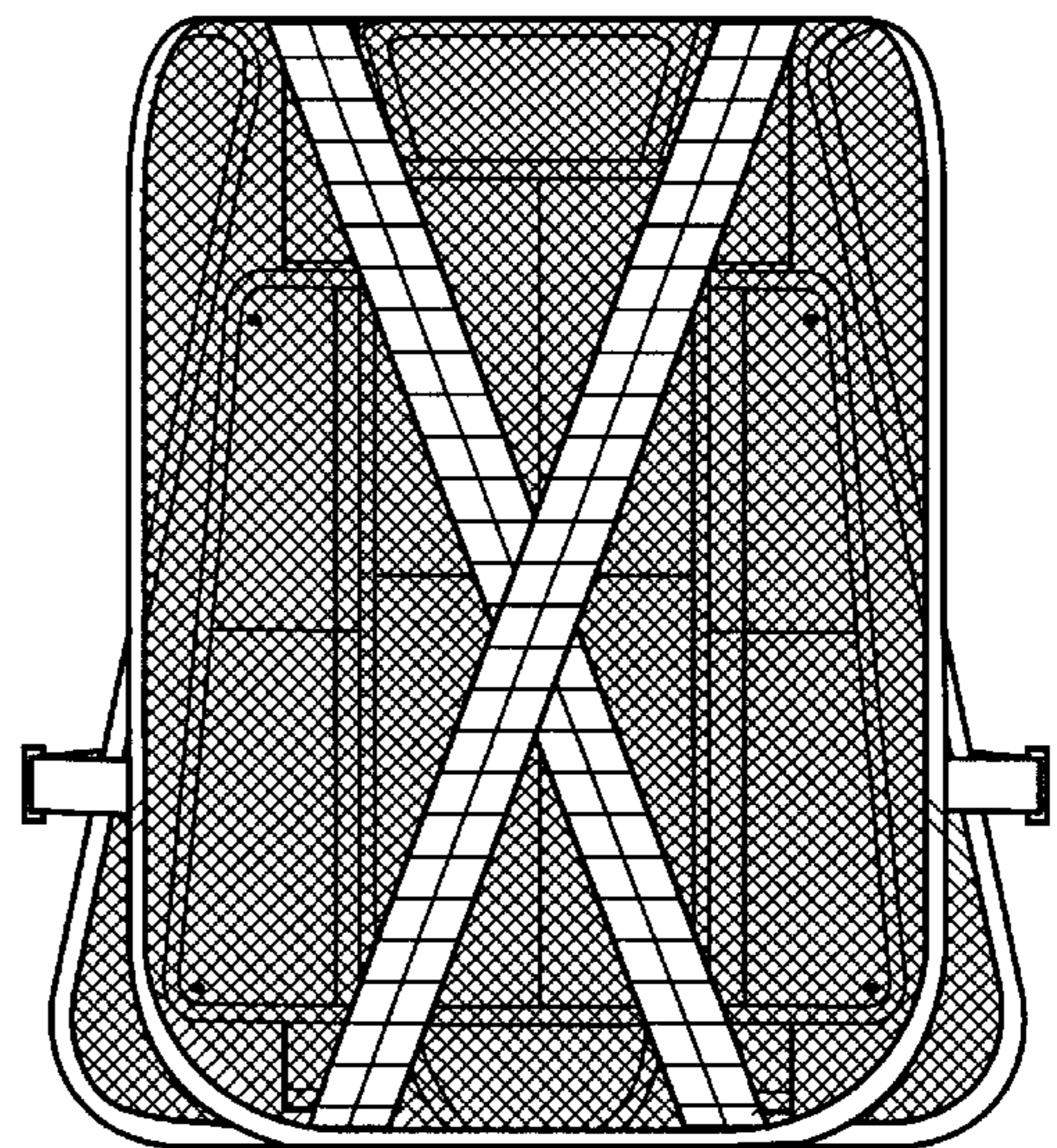
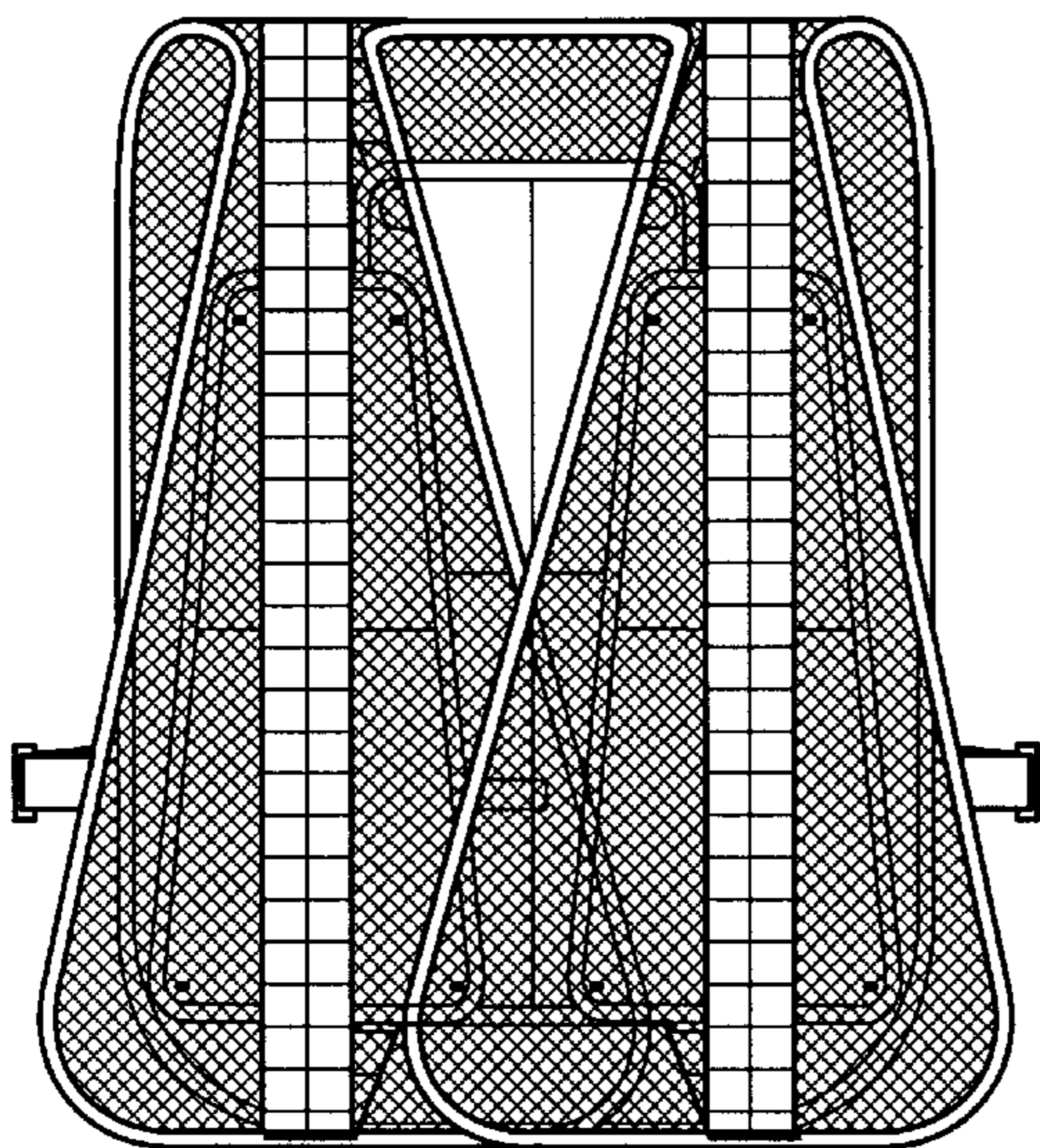
FIG. 4. Is a right side elevational view of the vest with cooling member attachments shown in FIG. 2;

FIG. 5. Is a left side elevational view of the vest with cooling member attachments shown in FIG. 2;

FIG. 6. Is a top view of the vest with cooling member attachments shown in FIG. 2; and,

FIG. 7. Is a bottom view of the vest with cooling member attachments shown in FIG. 2.

1 Claim, 3 Drawing Sheets



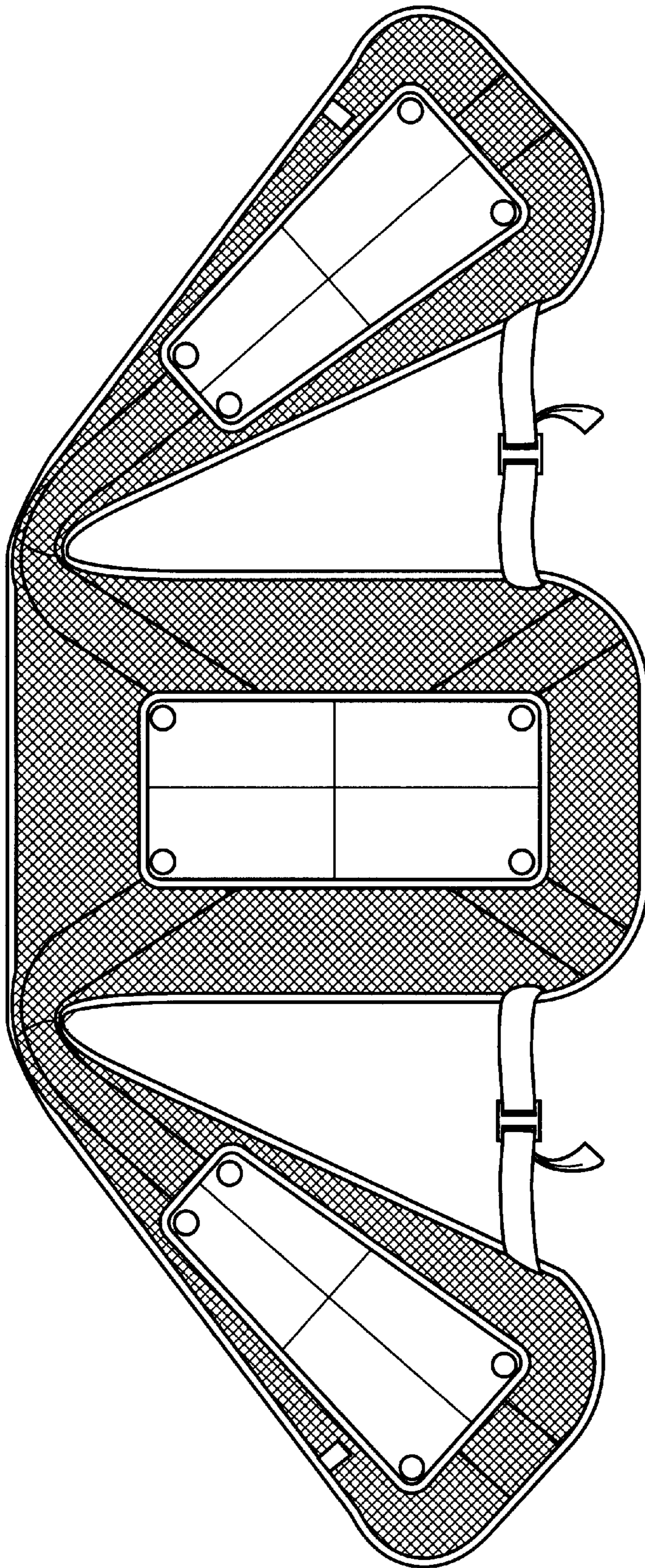


FIG. 1

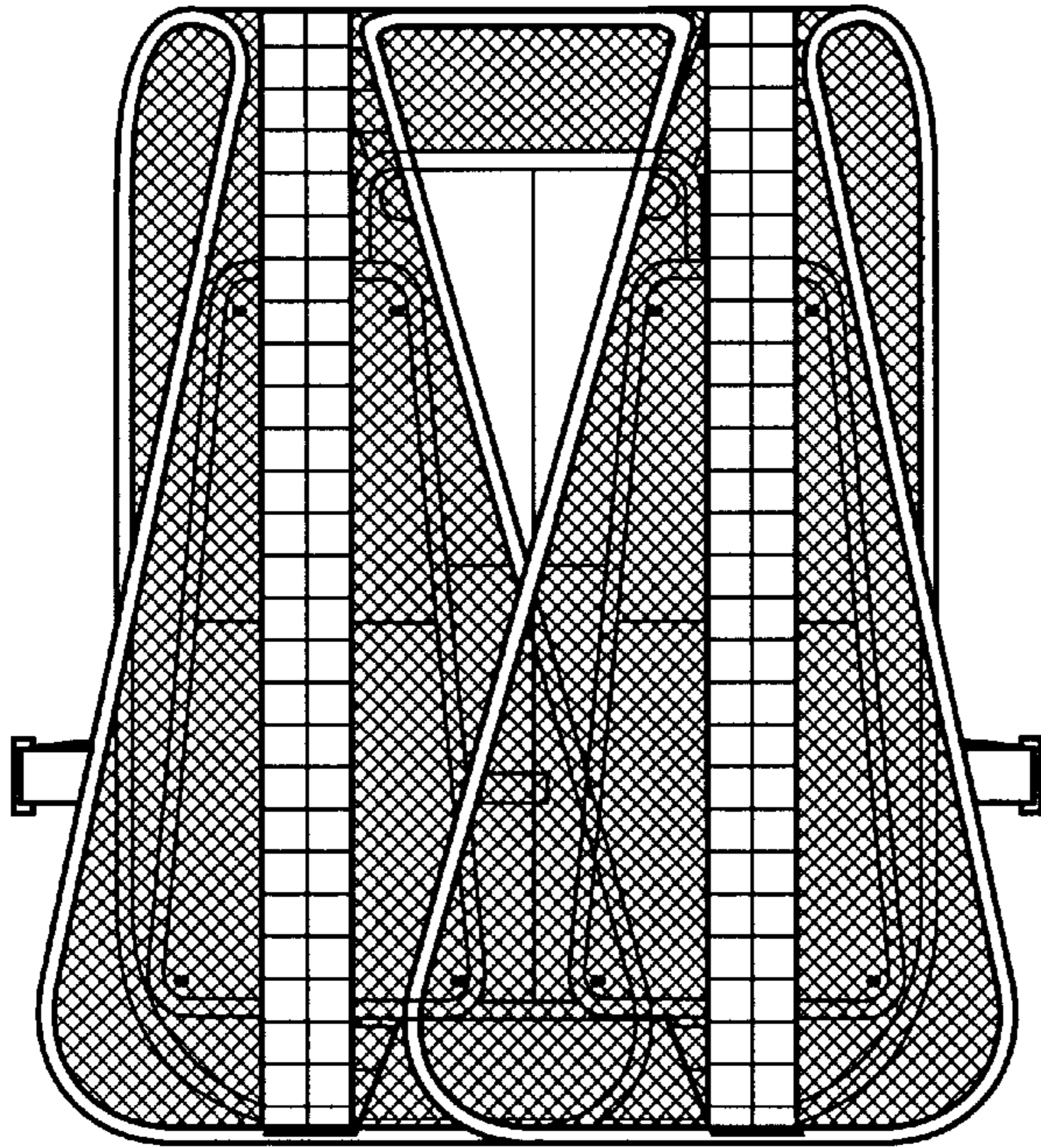


FIG. 2

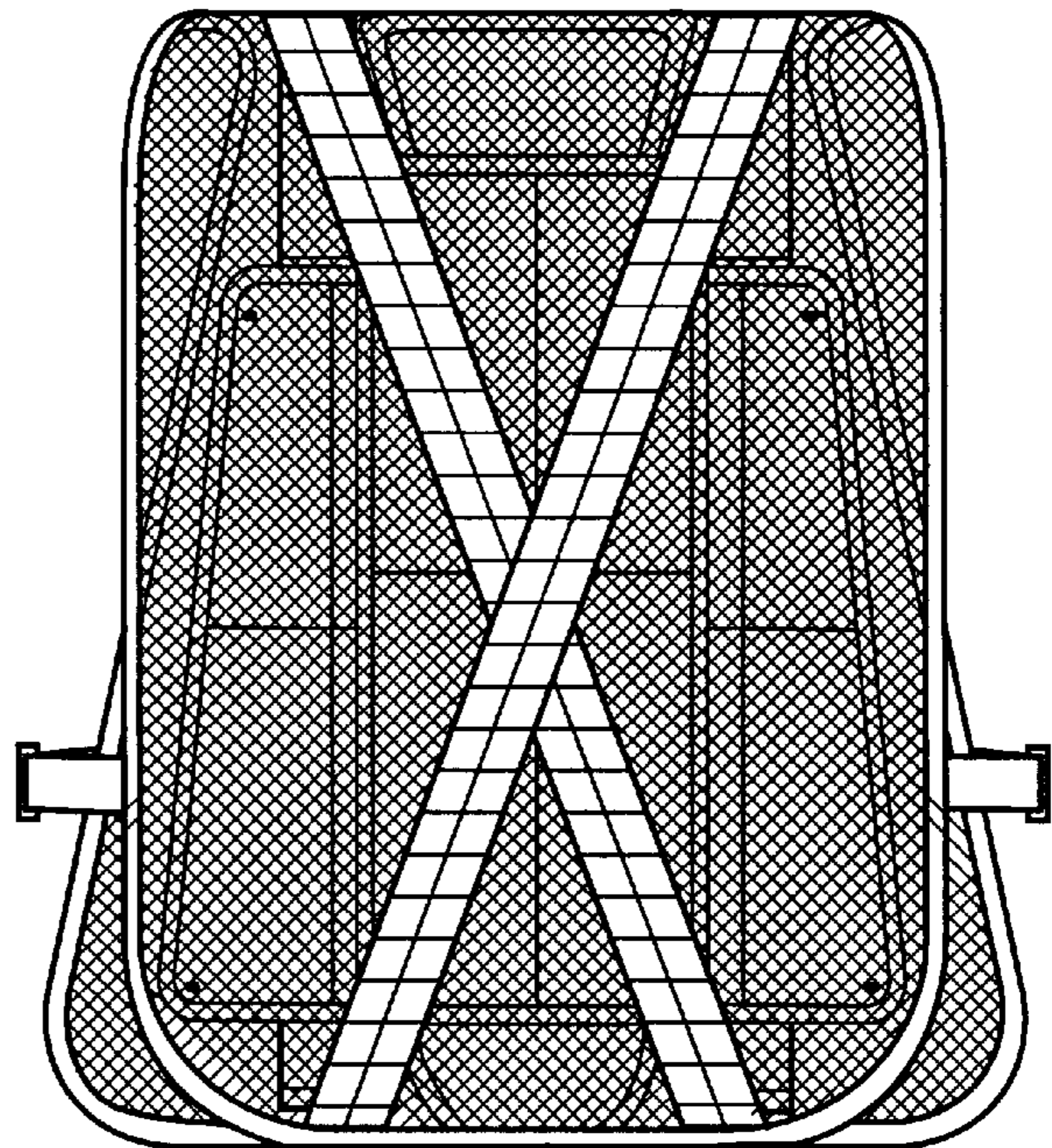


FIG. 3

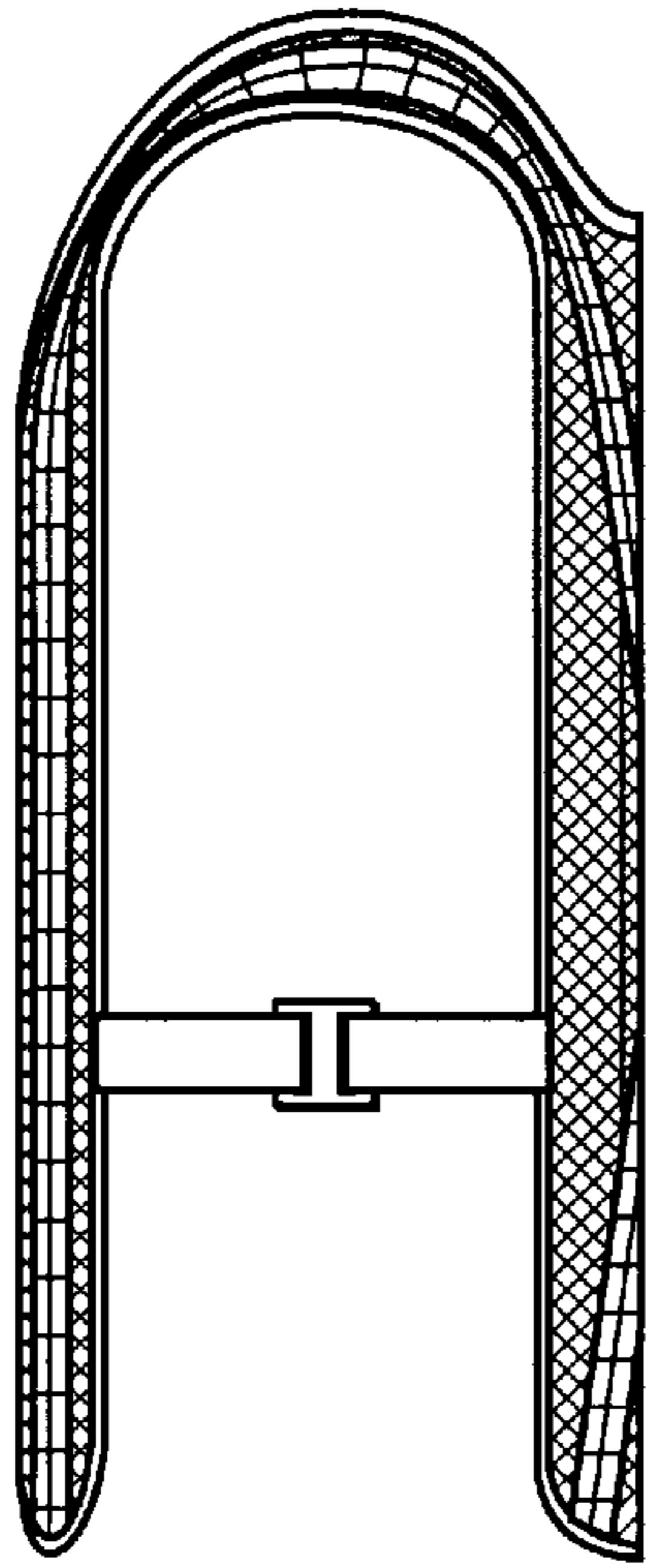


FIG. 4

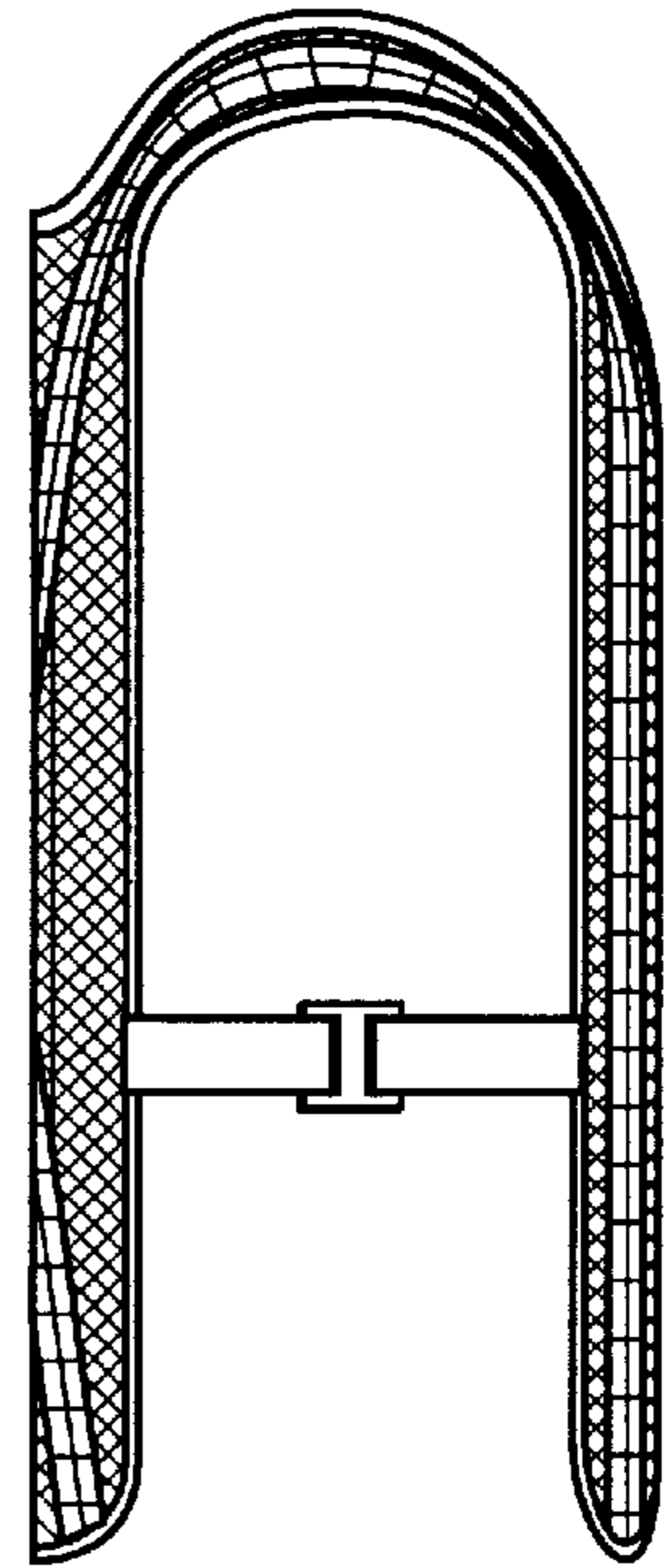


FIG. 5

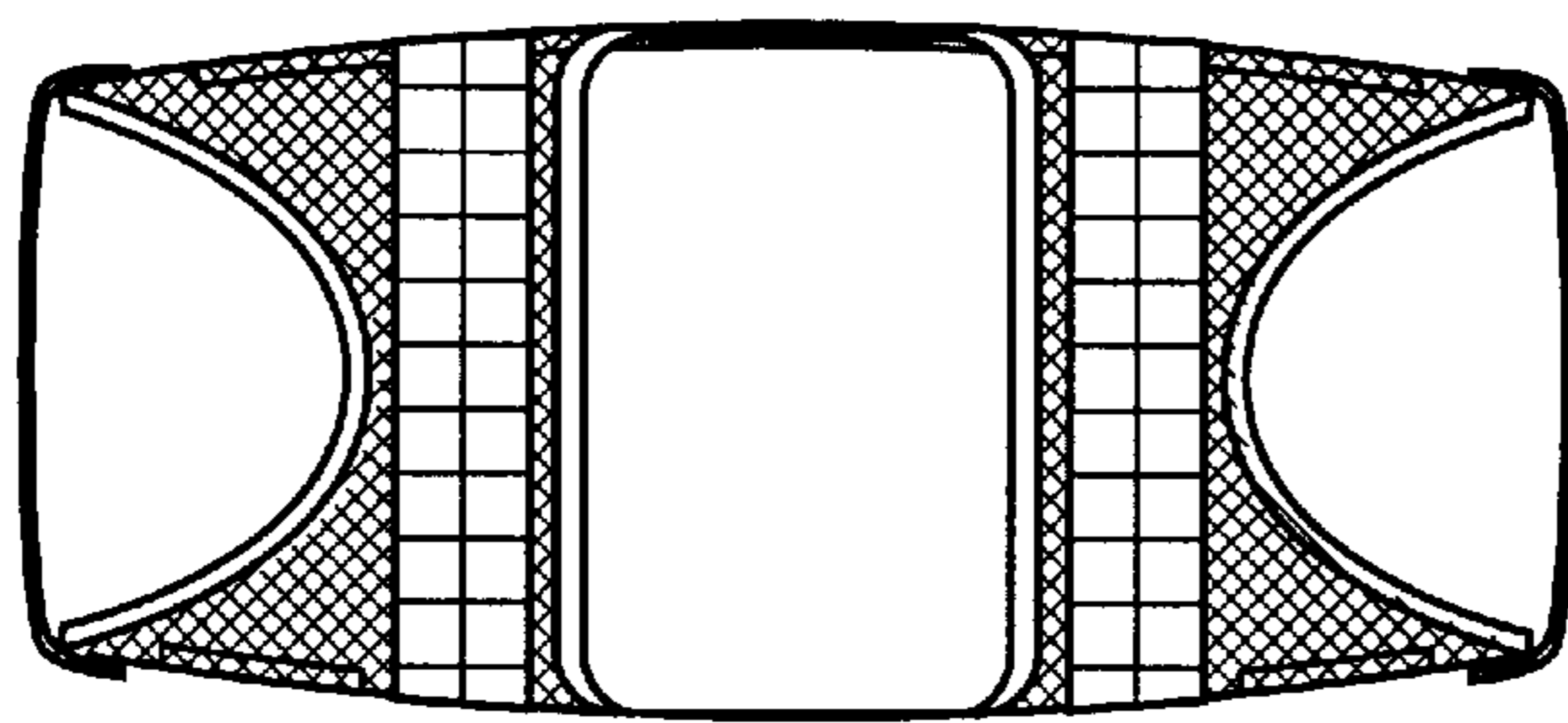


FIG. 6

FIG. 7

