



US00D456106S

(12) **United States Design Patent**
Vong et al.

(10) **Patent No.:** **US D456,106 S**

(45) **Date of Patent:** **** Apr. 23, 2002**

(54) **BAG SUPPORT FOR GOLF PULL-CART**

(75) Inventors: **Andy Siew Fun Vong**, Venice; **James E. Grove**, Marina Del Rey, both of CA (US)

(73) Assignee: **L.A. Product Design, L.L.C.**, Marina Del Rey, CA (US)

(**) Term: **14 Years**

(21) Appl. No.: **29/139,388**

(22) Filed: **Mar. 28, 2001**

(51) **LOC (7) Cl.** **12-02**

(52) **U.S. Cl.** **D34/27; D34/15**

(58) **Field of Search** D34/12-27; 280/47.26, 280/47.27, 47.29, 47.39, 79.11, 47.17, 47.24, DIG. 6, 646; 248/129

(56) **References Cited**

U.S. PATENT DOCUMENTS

D347,505	S	*	5/1994	Machen et al.	D34/15
5,871,183	A		2/1999	Milluzzi	248/96
D415,599	S		10/1999	Muckala	D34/19
D444,285	S	*	6/2001	Konkle	D34/27

OTHER PUBLICATIONS

Andy Siew Fun Vong et al.: U.S. application No. 29/139,387; Filed Mar. 28, 2001; entitled "Bag Attachment for Golf Pull-Cart".

* cited by examiner

Primary Examiner—Kay H. Chin

(74) *Attorney, Agent, or Firm*—Seed IP Law Group, PLLC

(57) **CLAIM**

The ornamental design for a bag support for golf pull-cart, as shown and described.

DESCRIPTION

FIG. 1 is a front, bottom, right isometric view of the bag support for golf pull-cart showing our new design in the environment in which it is typically used.

FIG. 2 is a front, bottom, right, enlarged isometric view of the bag support for golf pull-cart.

FIG. 3 top plan view thereof.

FIG. 4 is a bottom plan view thereof.

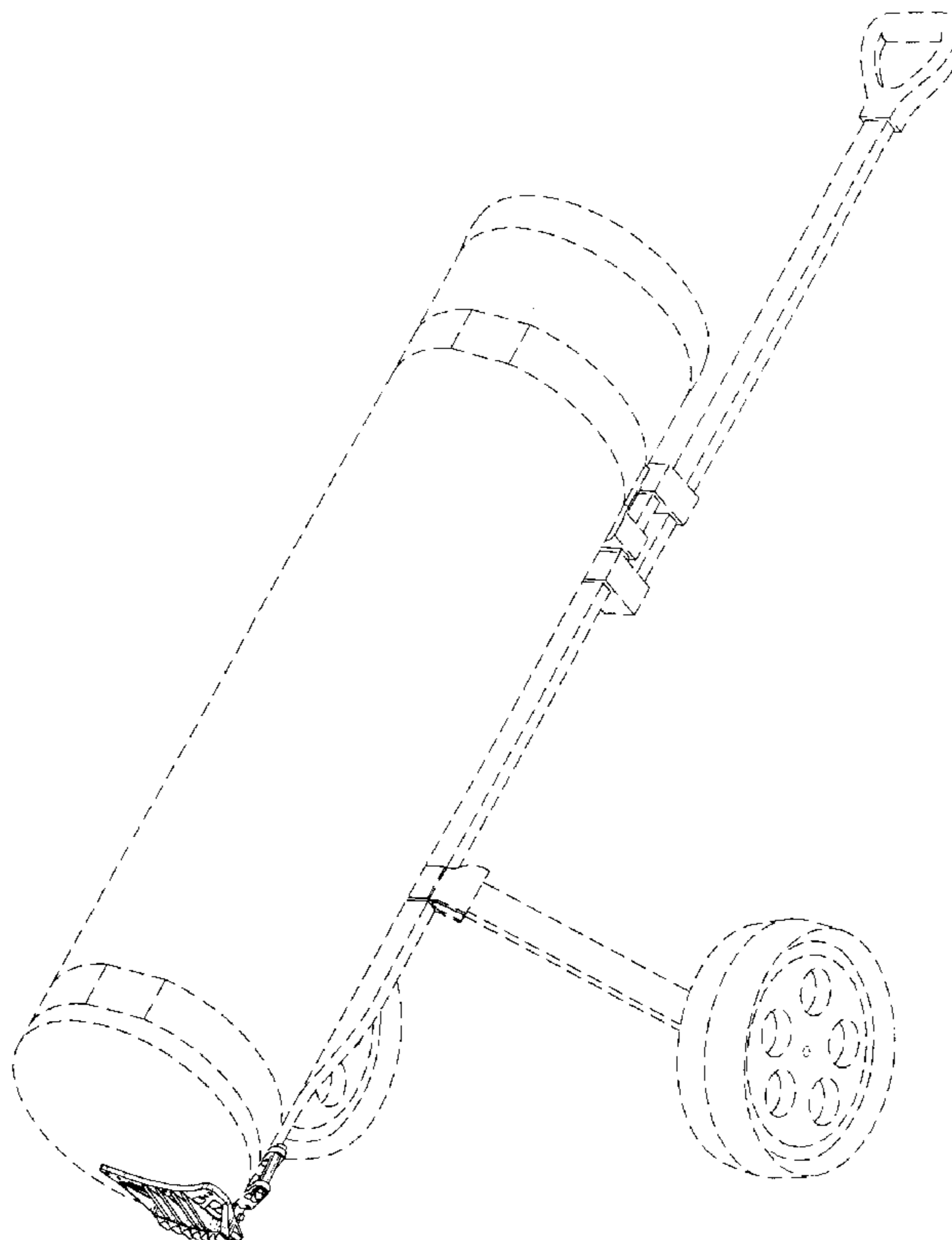
FIG. 5 is a front elevational view thereof.

FIG. 6 is a rear elevational view thereof; and,

FIG. 7 is a left side elevational view thereof; the right side elevational view is a mirror image thereof.

The broken lines in the figures are for illustrative purposes only and form no part of the claimed design.

1 Claim, 3 Drawing Sheets



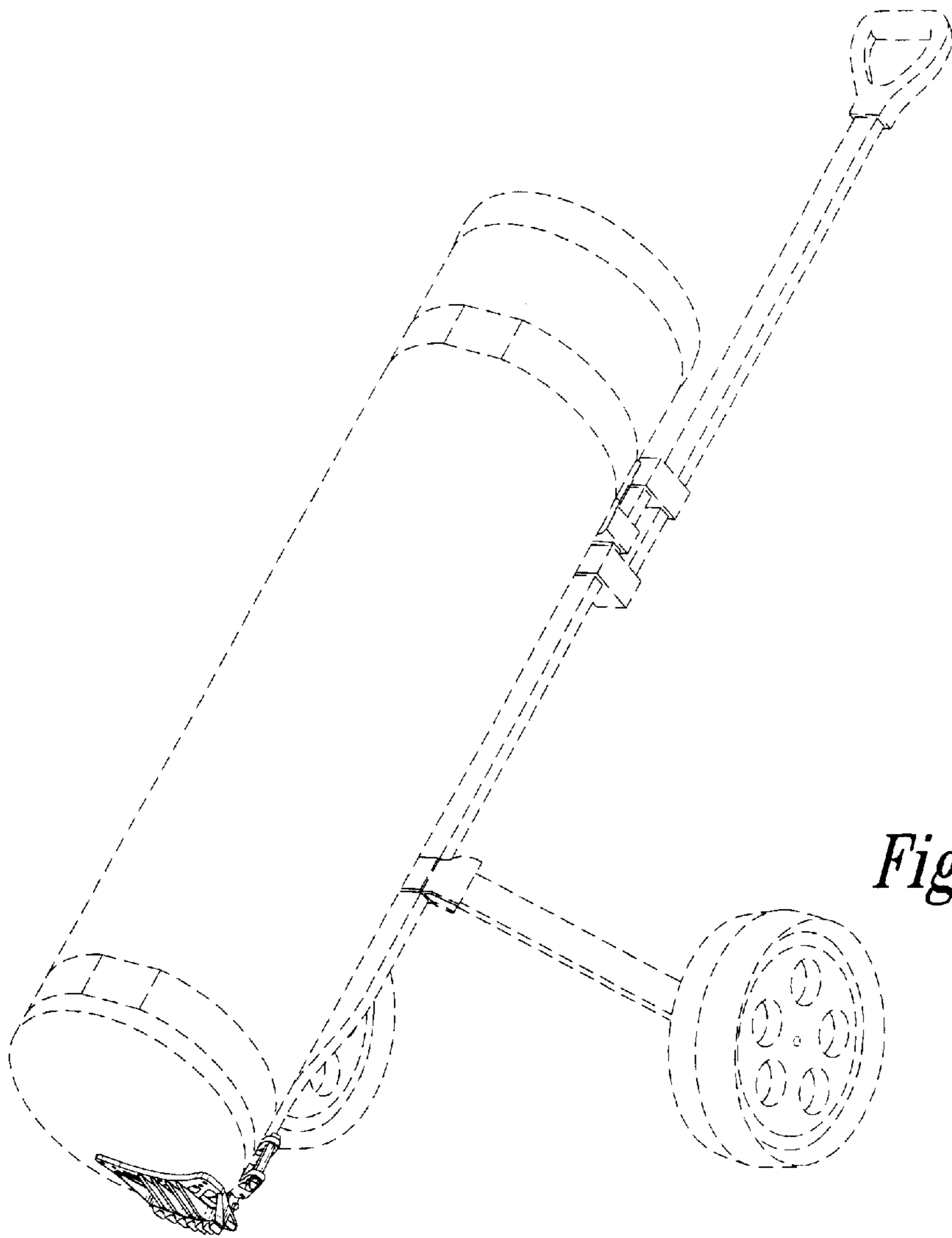


Fig. 1

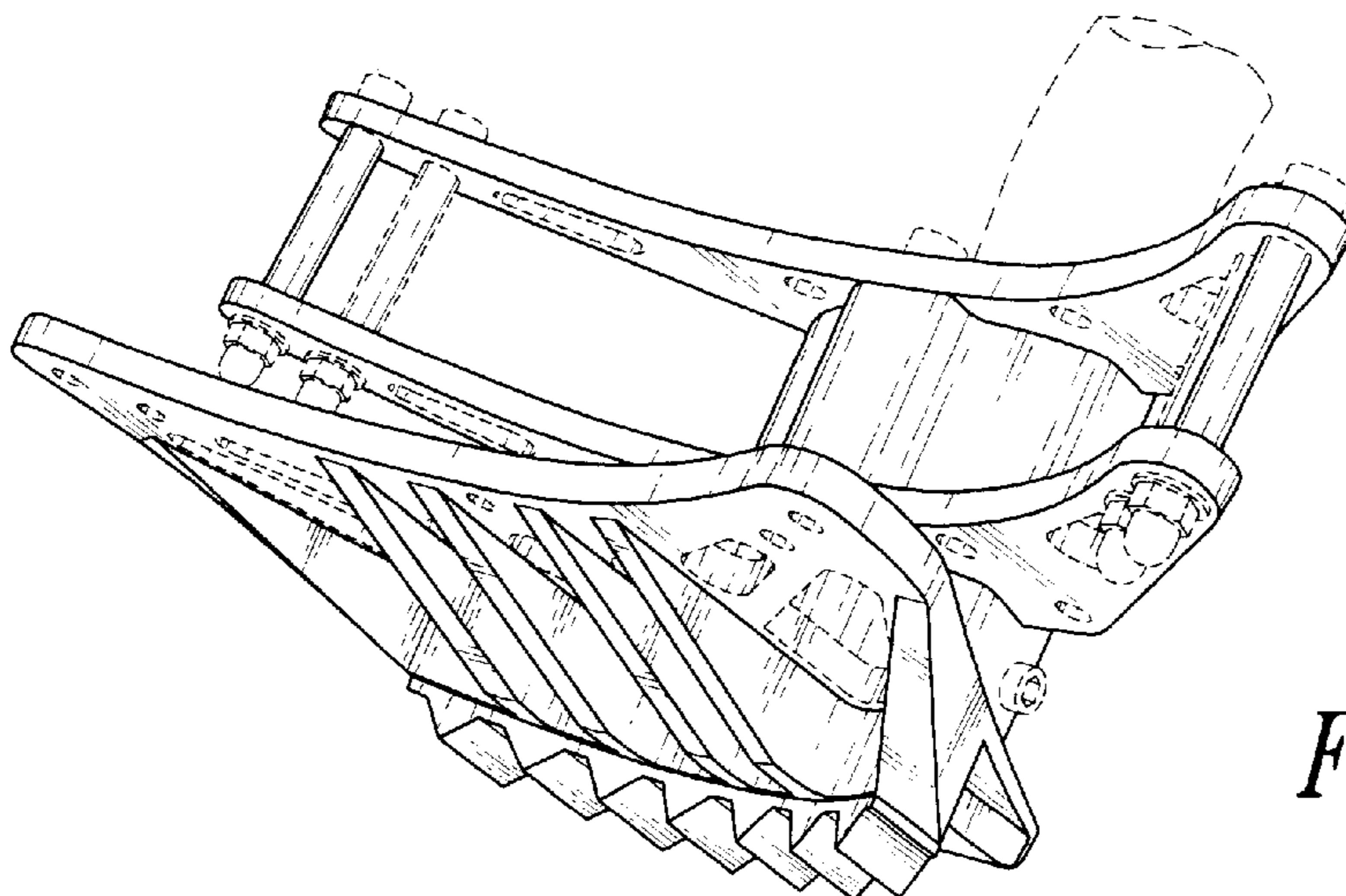


Fig. 2

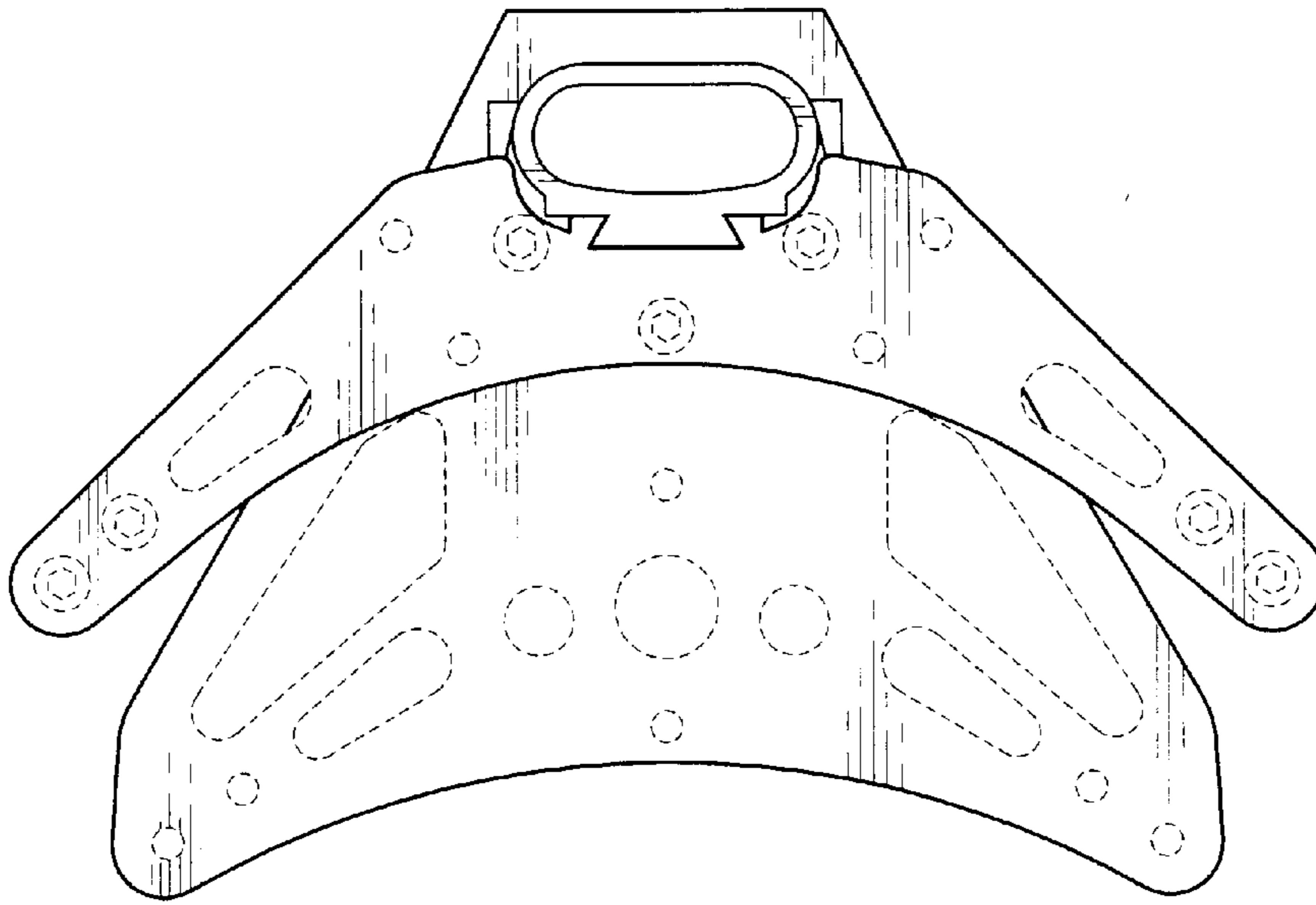


Fig. 3

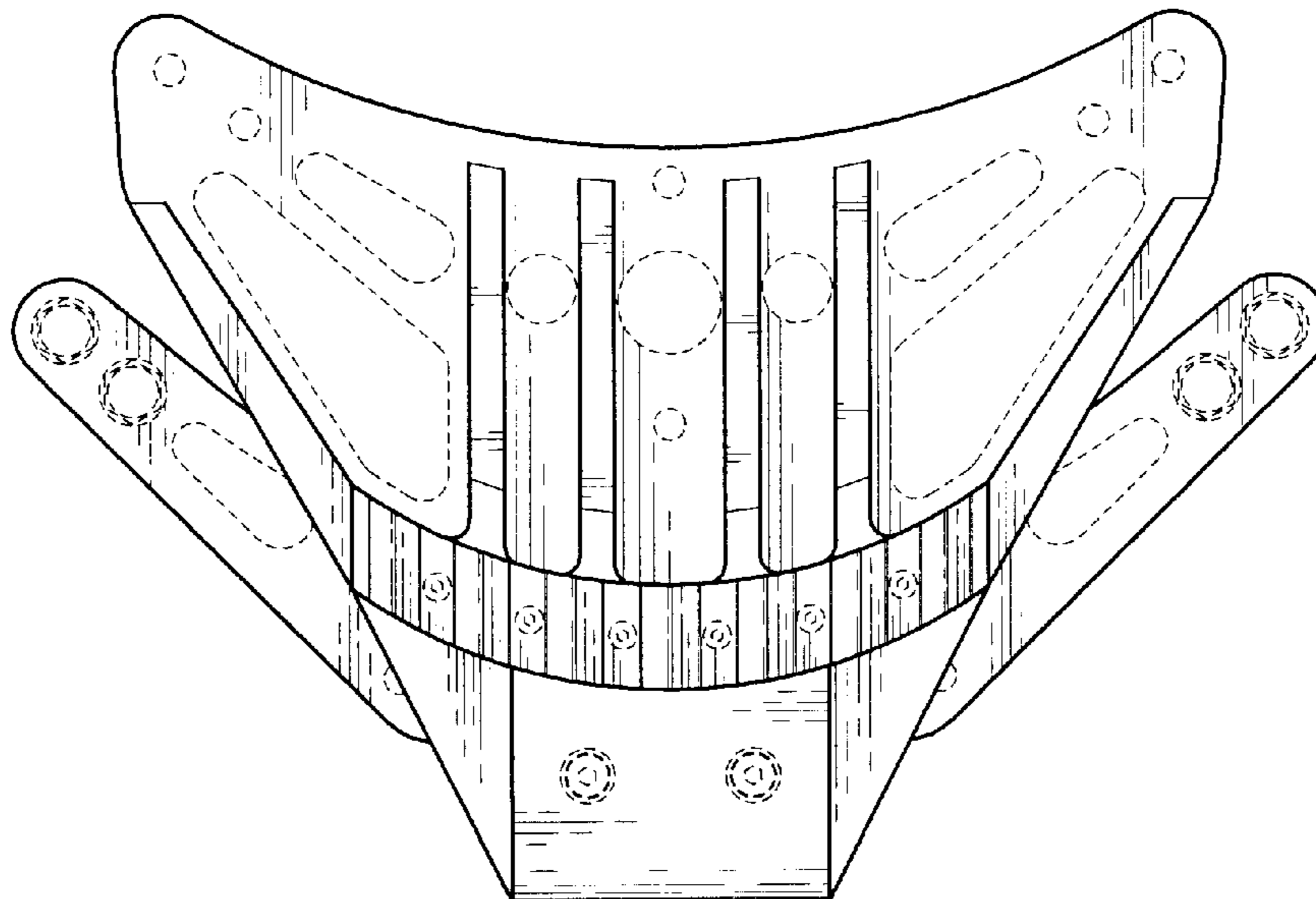


Fig. 4

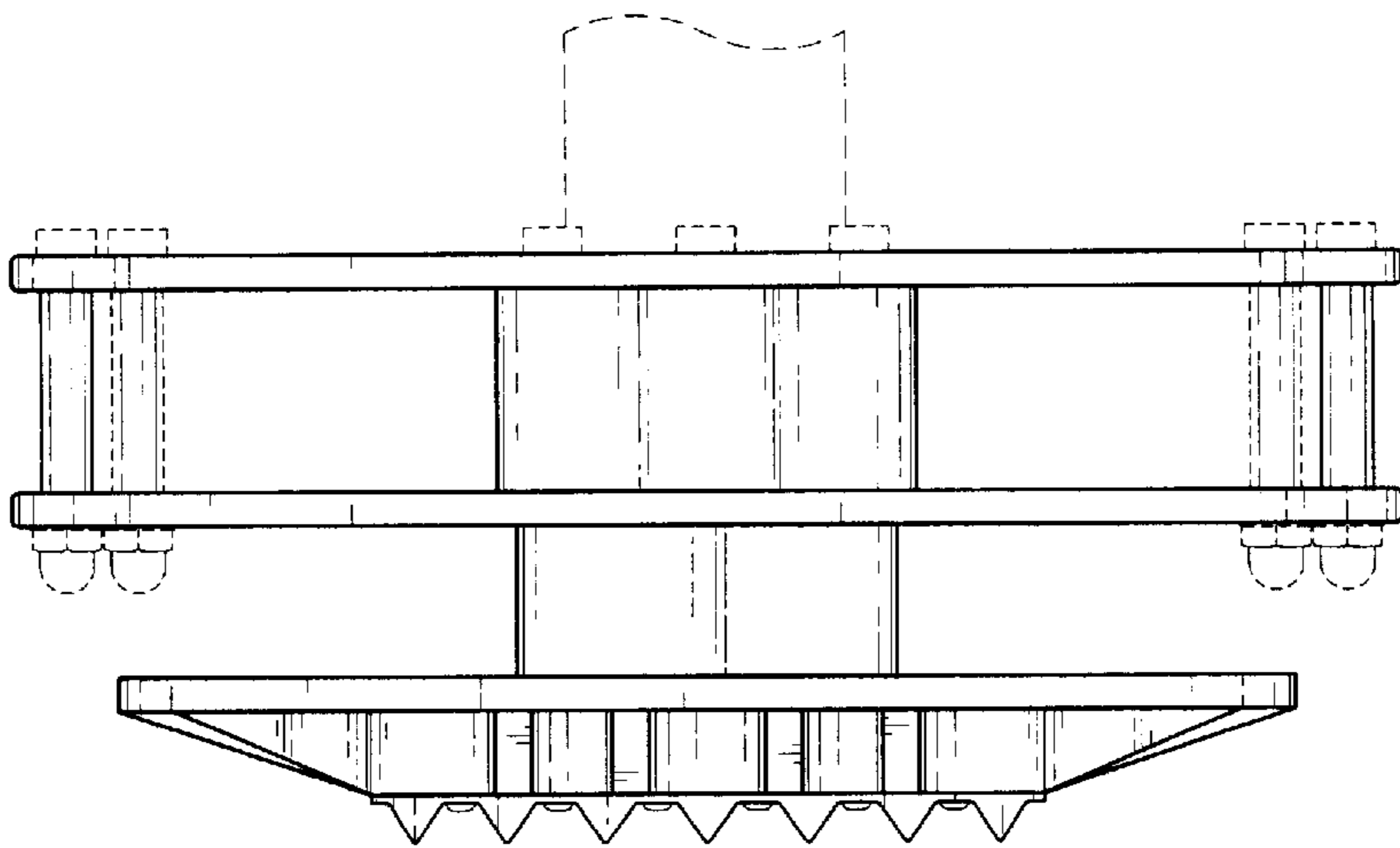


Fig. 5

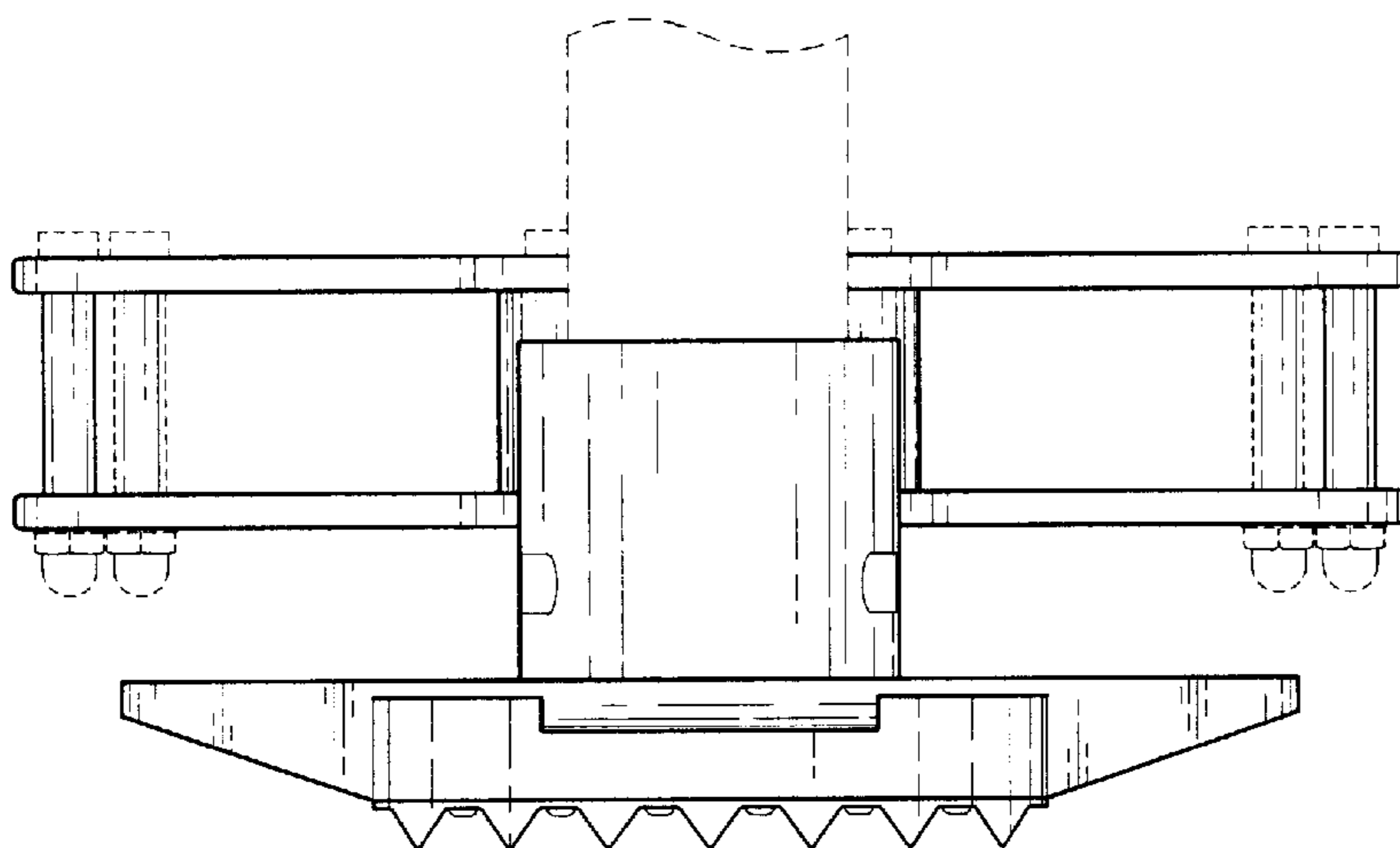


Fig. 6

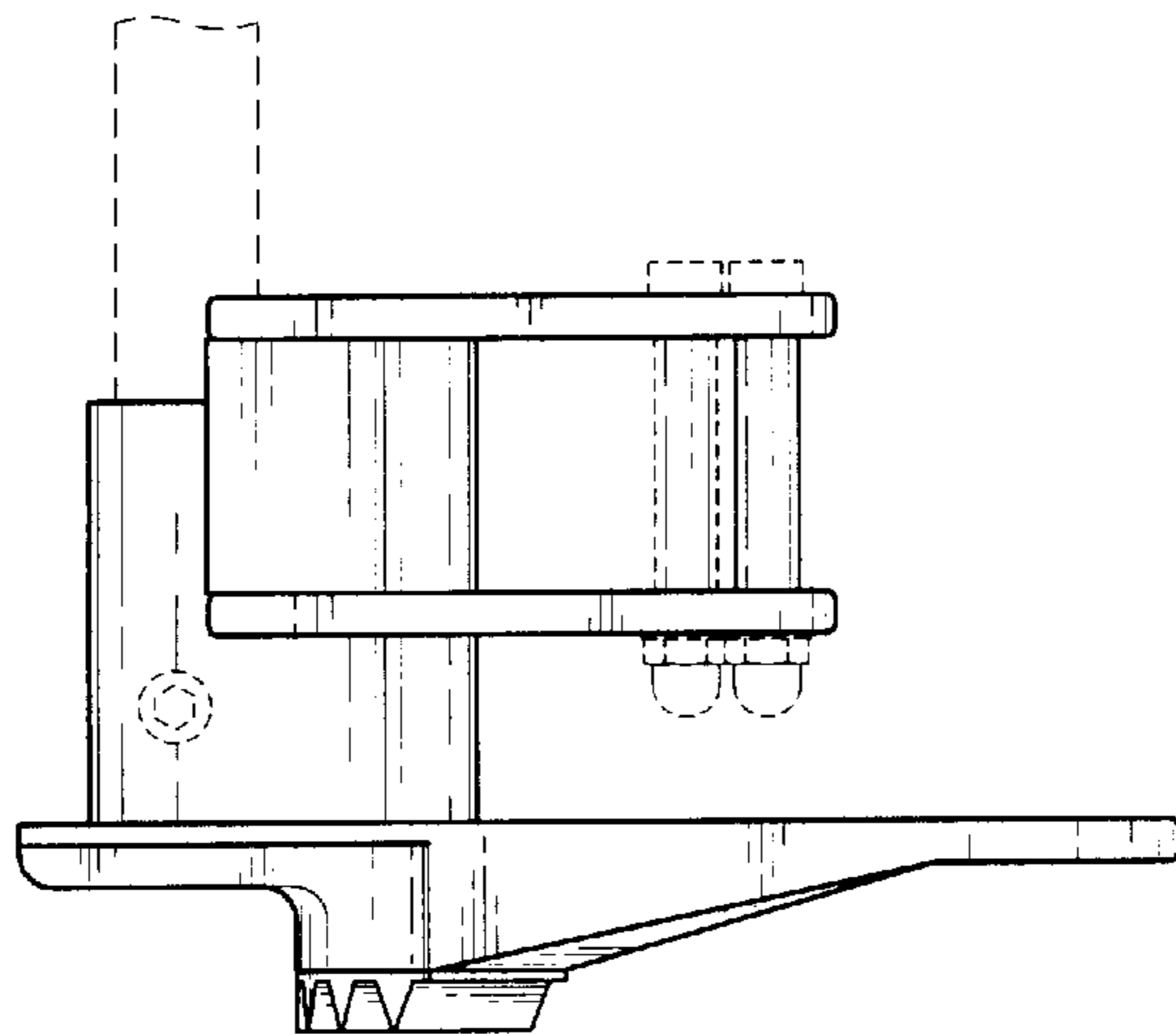


Fig. 7