



US00D456103S

(12) **United States Design Patent**
Shin

(10) **Patent No.:** **US D456,103 S**

(45) **Date of Patent:** **** Apr. 23, 2002**

(54) **NOZZLE FOR VACUUM CLEANER**

(75) **Inventor:** **Hyun Seon Shin, Seoul (KR)**

(73) **Assignee:** **LG Electronics Inc., Seoul (KR)**

(**) **Term:** **14 Years**

(21) **Appl. No.:** **29/139,757**

(22) **Filed:** **Apr. 5, 2001**

(30) **Foreign Application Priority Data**

Oct. 5, 2000 (KR) 2000-25369

(51) **LOC (7) Cl.** **15-05**

(52) **U.S. Cl.** **D32/32**

(58) **Field of Search** D32/21-22, 31-33,
D32/25; 15/322, 415.1-422.1, 41.1, 52.1,
387, 350-351, 366, 368, 383

(56) **References Cited**

U.S. PATENT DOCUMENTS

- D295,092 S * 4/1988 Mizuno et al. D32/32
- D333,021 S * 2/1993 Breur D32/32
- D333,022 S * 2/1993 Kramer et al. D32/32
- D333,539 S * 2/1993 Kramer et al. D32/32

- 5,471,707 A * 12/1995 Kang 15/326
- 5,497,532 A * 3/1996 Glatz 15/401
- D382,681 S * 8/1997 Thomas D32/22
- D427,737 S * 7/2000 Dyson et al. D32/32
- D443,120 S * 5/2001 Choi D32/32
- D449,724 S * 10/2001 Nighy et al. D32/32

* cited by examiner

Primary Examiner—Ruth McInroy

(57) **CLAIM**

I claim the ornamental design for a nozzle for vacuum cleaner, as shown and described.

DESCRIPTION

FIG. 1 is a perspective view of a nozzle for vacuum cleaner showing my new design;
 FIG. 2 is a front view thereof;
 FIG. 3 is a rear view thereof;
 FIG. 4 is a left-side view thereof;
 FIG. 5 is a right-side view thereof;
 FIG. 6 is a top plan view thereof;
 FIG. 7 is a bottom plan view thereof; and,
 FIG. 8 is an exploded perspective view thereof.

1 Claim, 5 Drawing Sheets

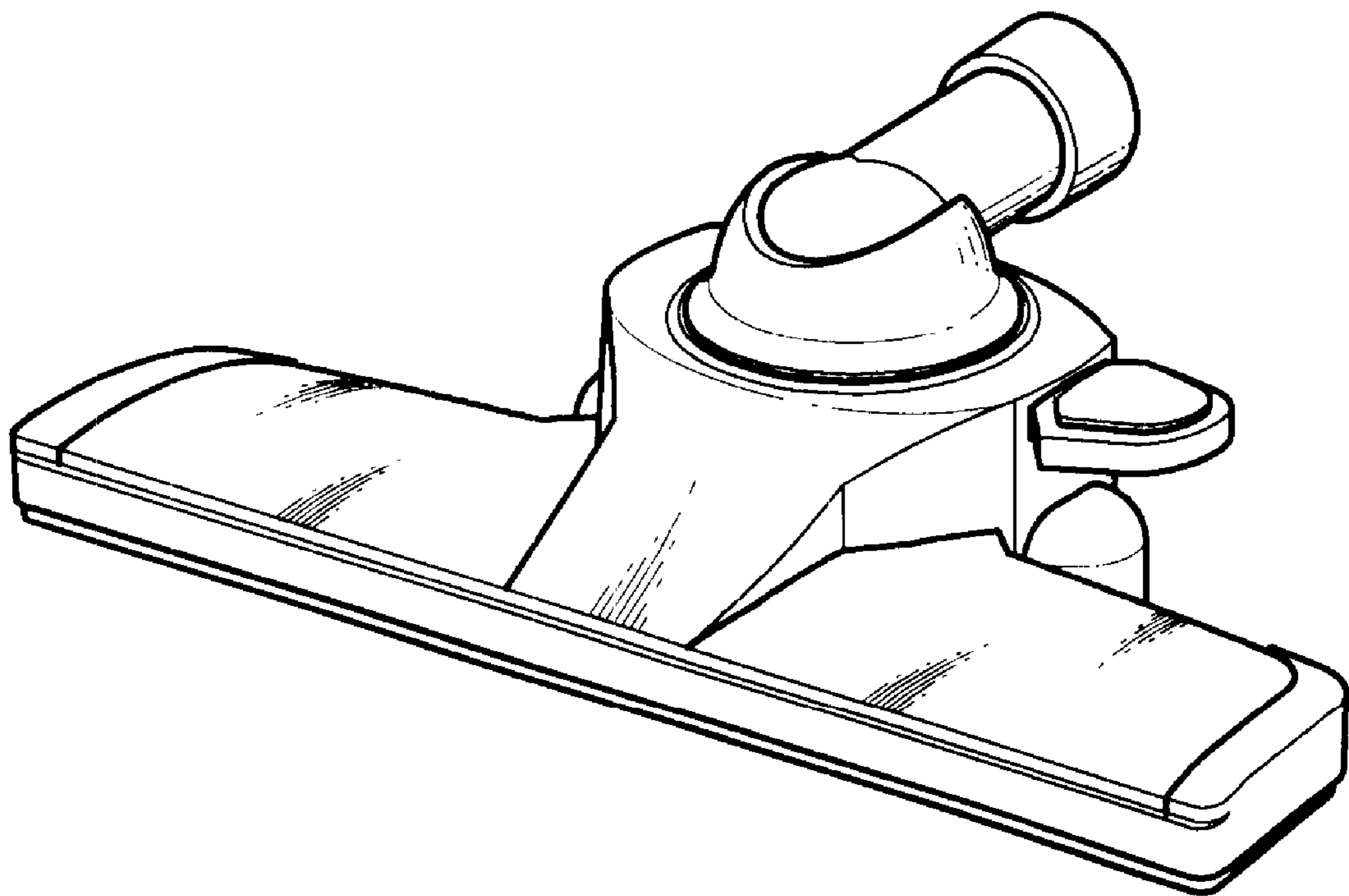


FIG. 1

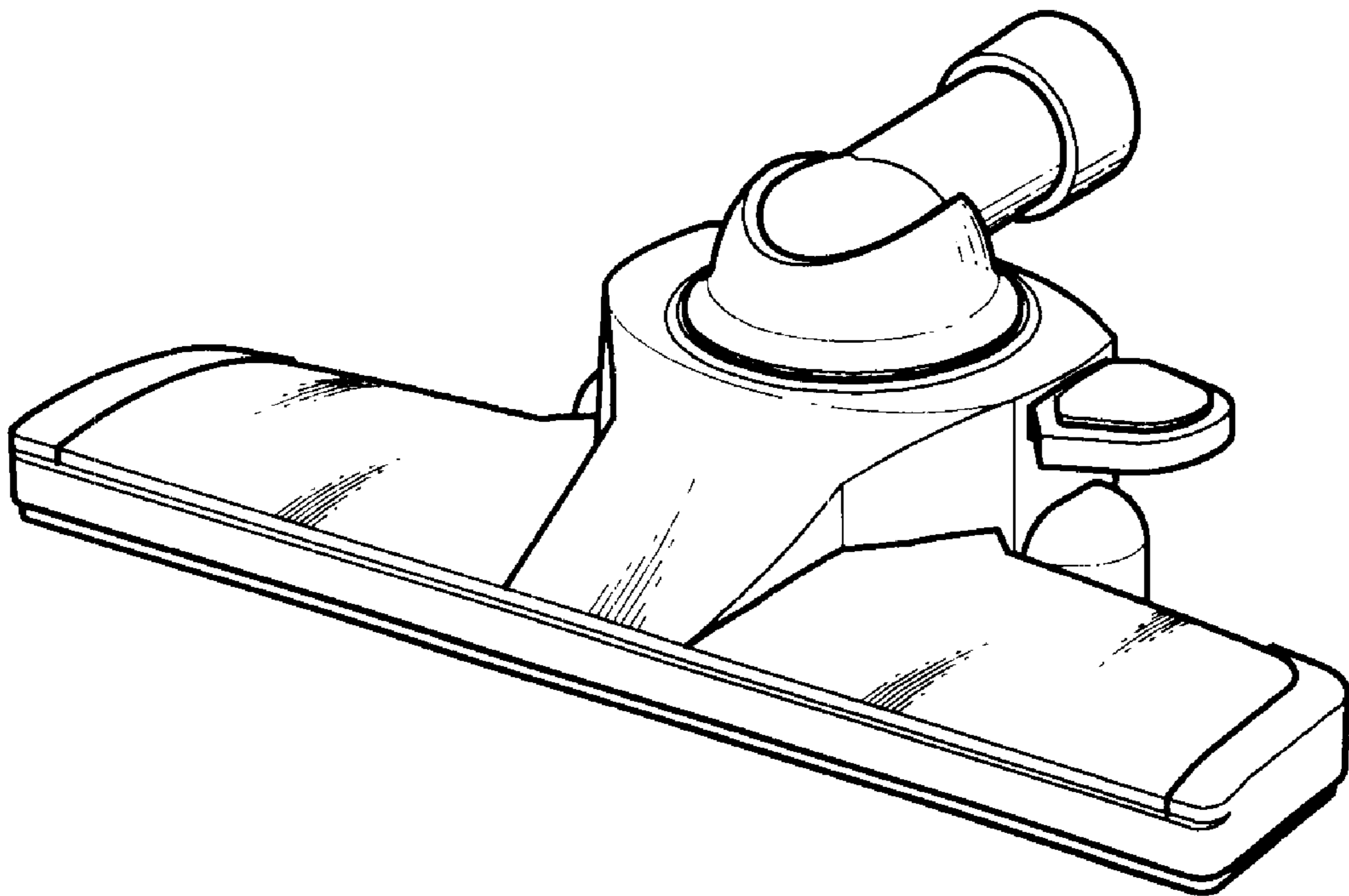


FIG. 2

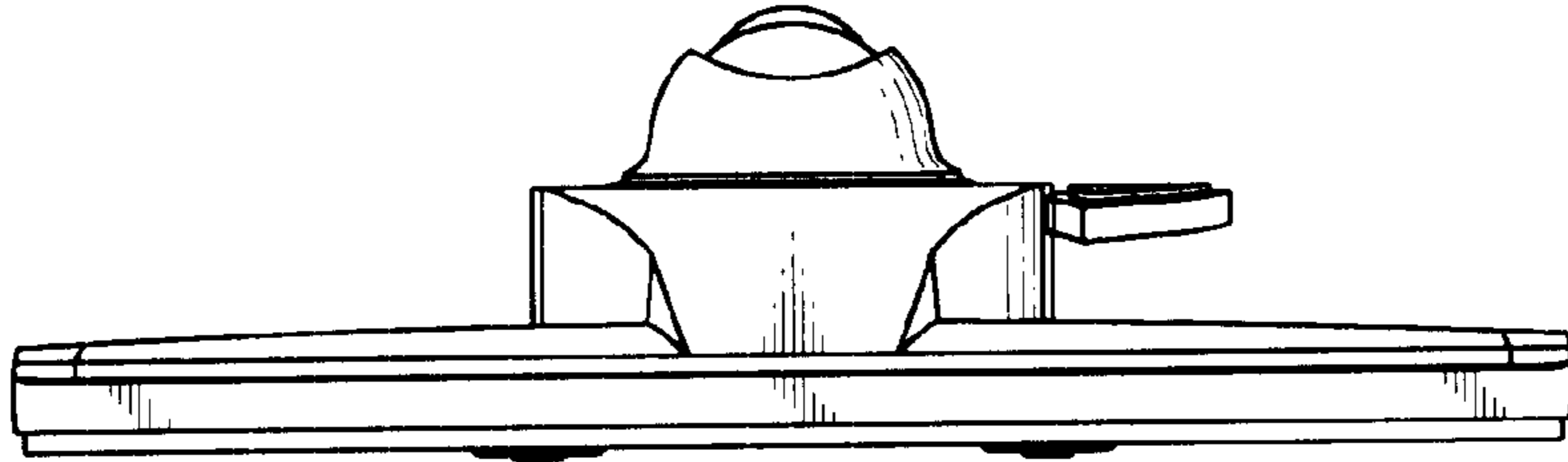


FIG. 3

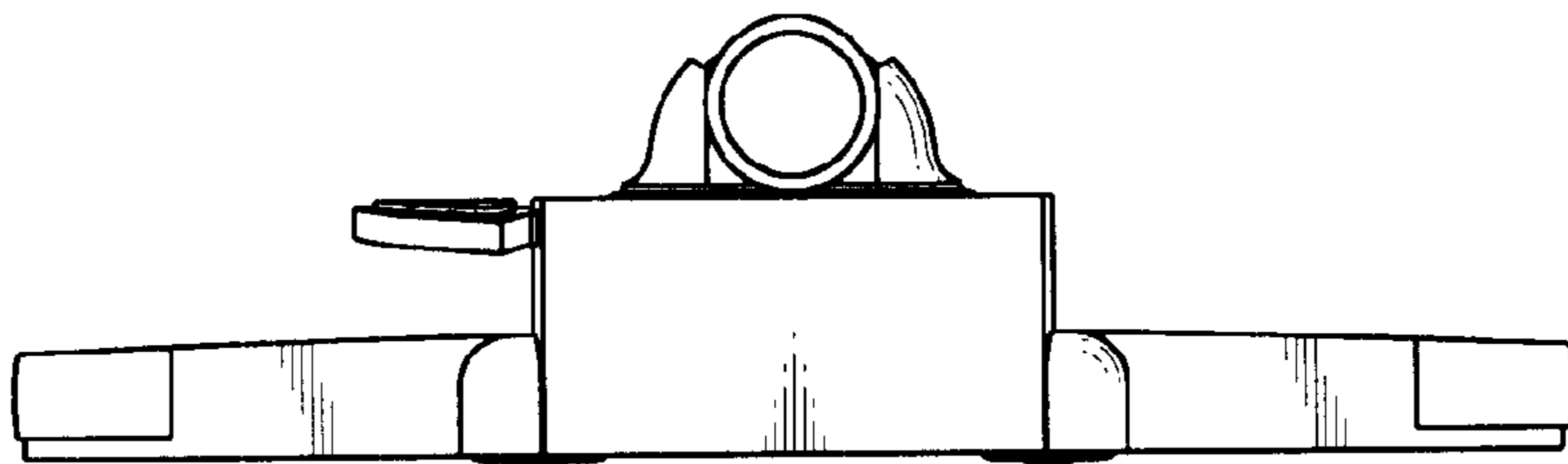


FIG. 4

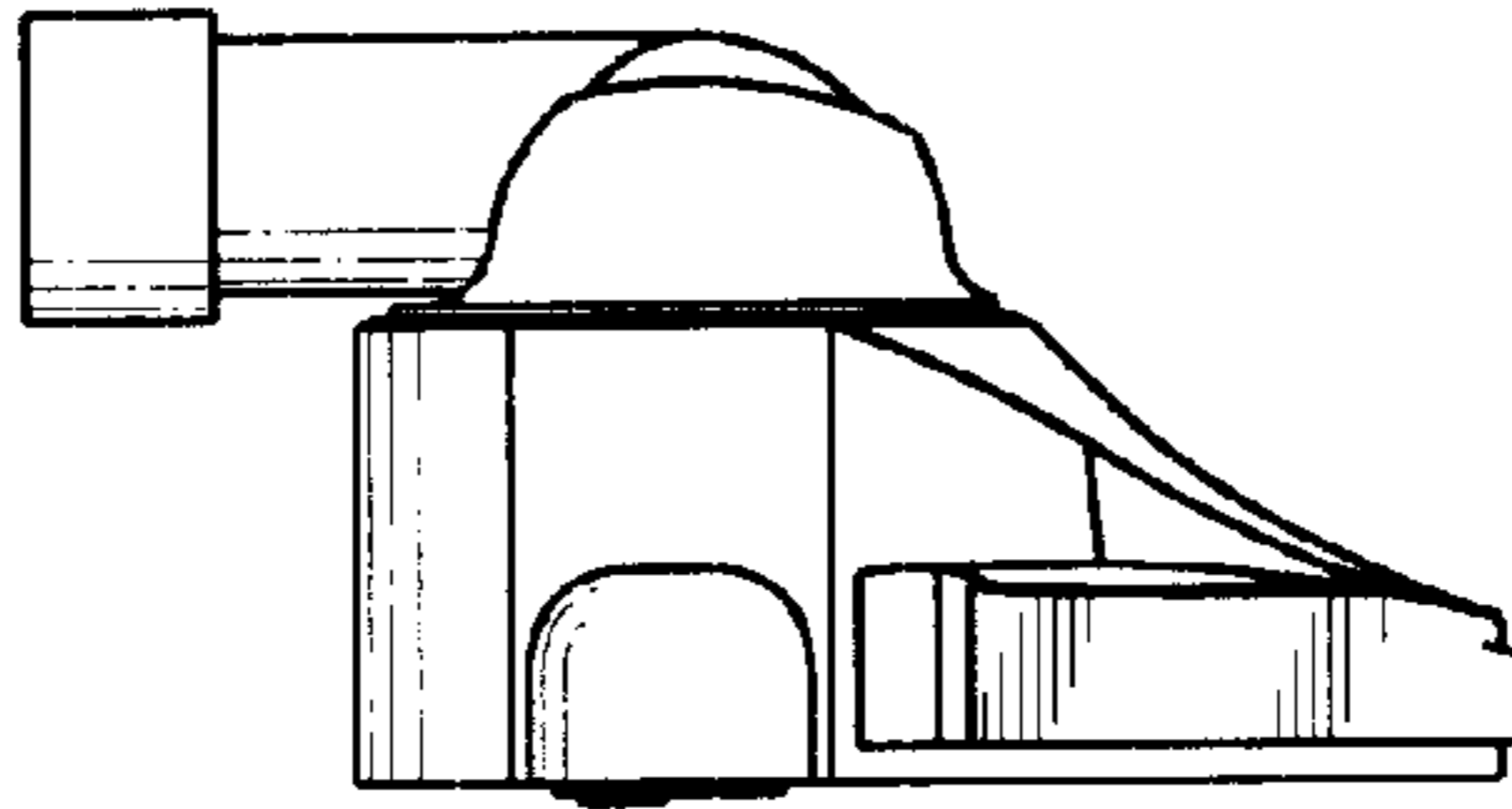


FIG. 5

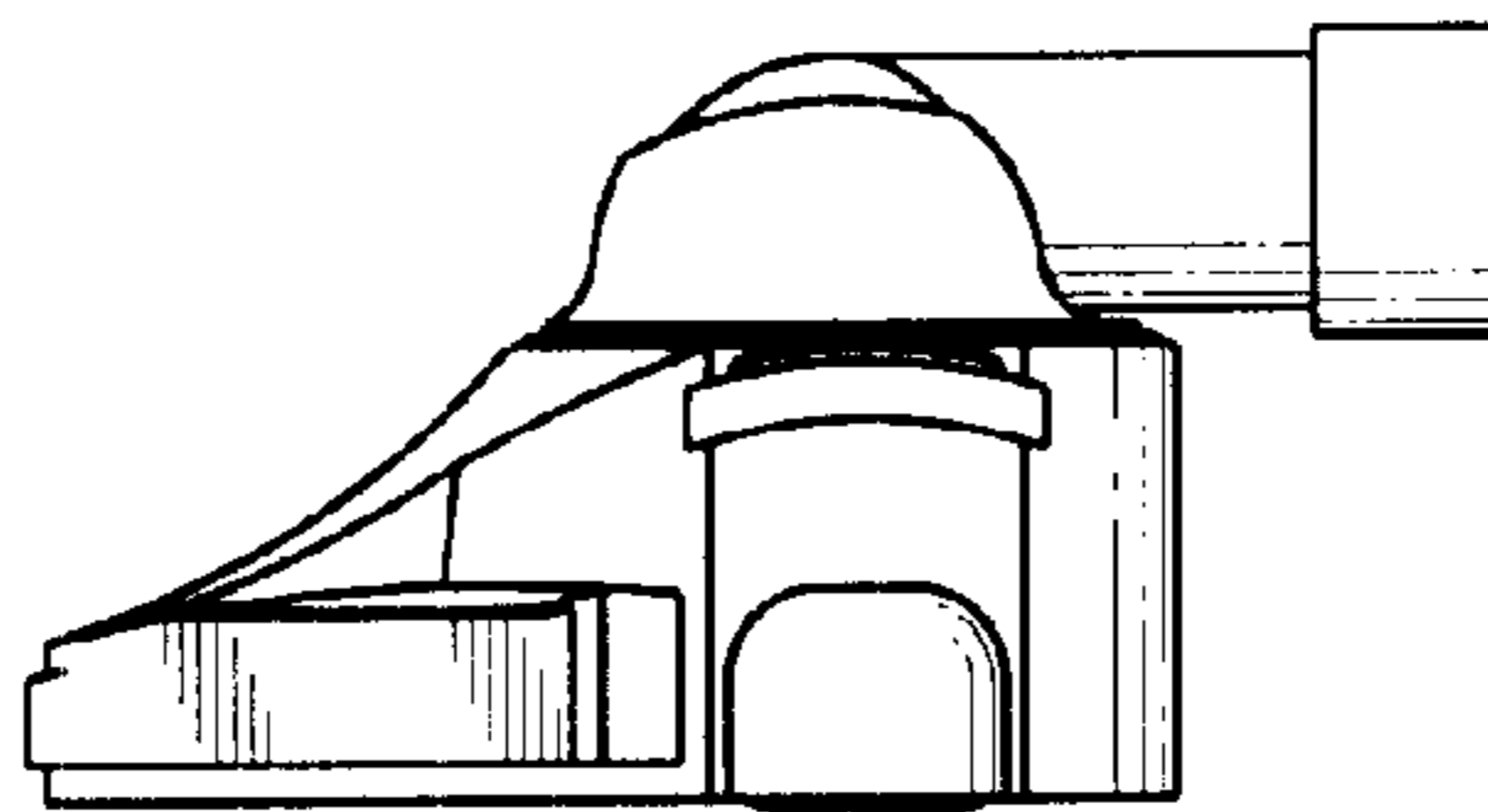


FIG. 6

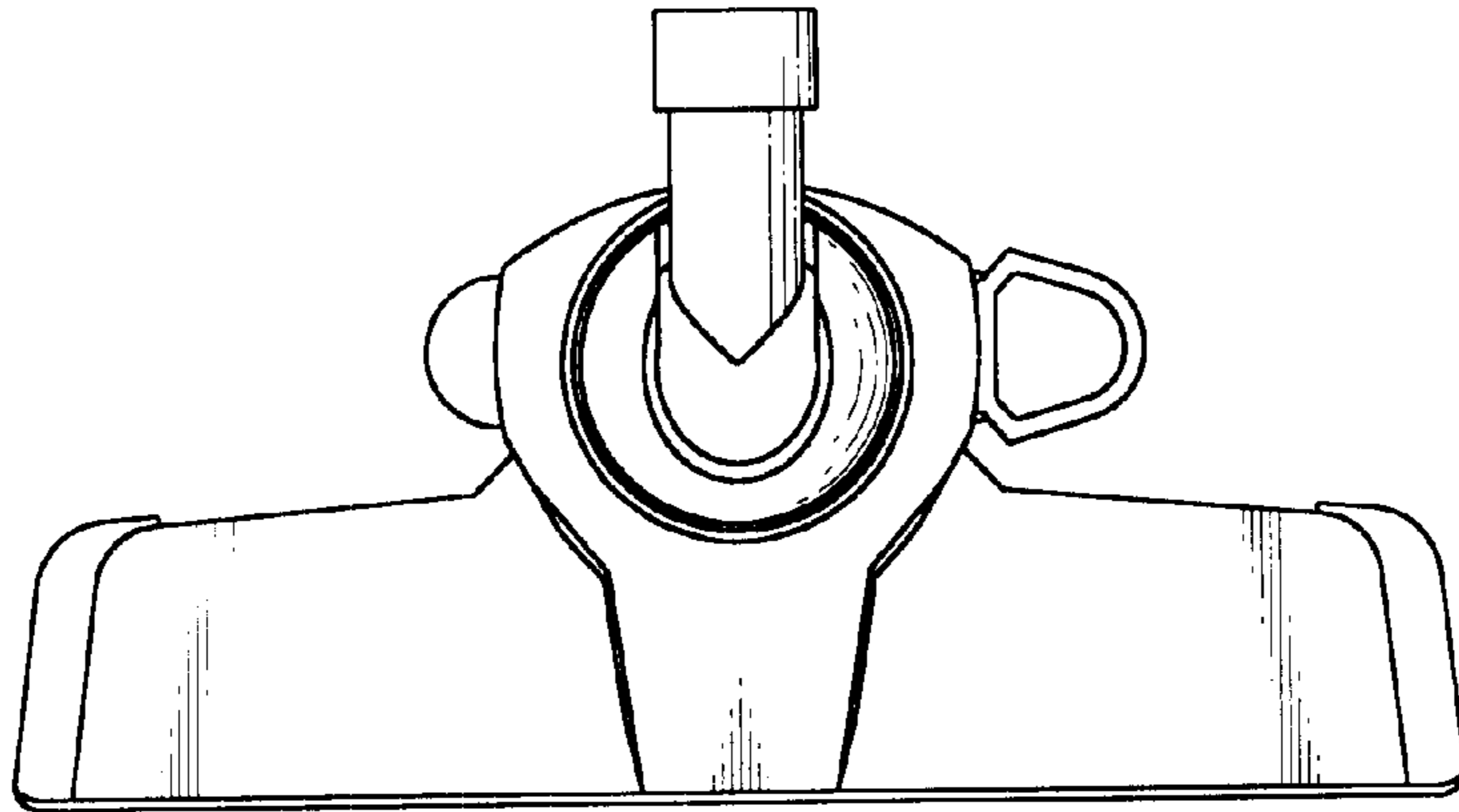


FIG. 7

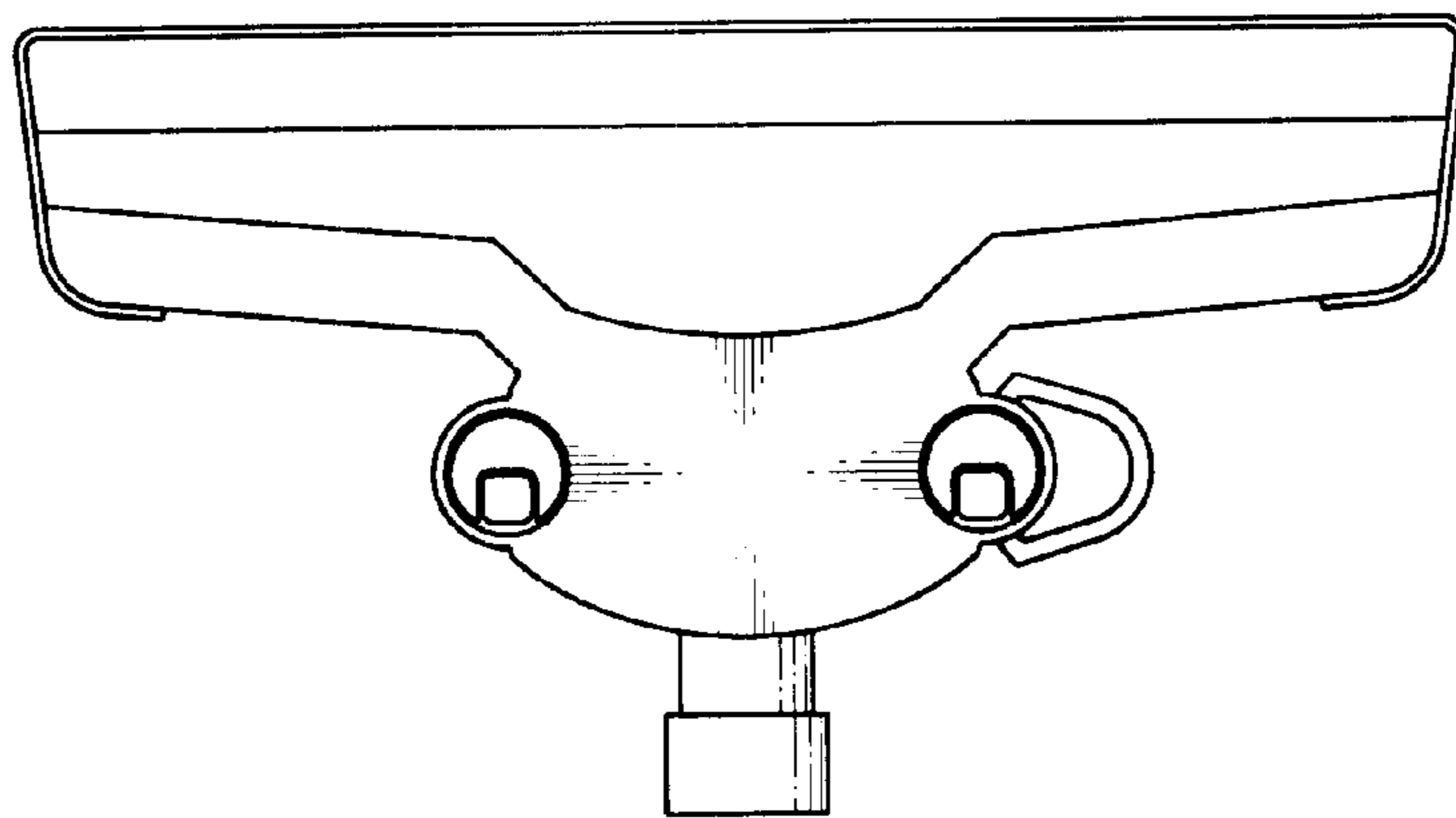


FIG. 8

