



US00D456101S

(12) **United States Design Patent**
Lee

(10) **Patent No.:** **US D456,101 S**

(45) **Date of Patent:** **** Apr. 23, 2002**

(54) **VACUUM CLEANER**

(75) **Inventor:** **Wai Chung David Lee, Groningen (NL)**

(73) **Assignee:** **U.S. Philips Corporation, New York, NY (US)**

(**) **Term:** **14 Years**

(21) **Appl. No.:** **29/135,754**

(22) **Filed:** **Jan. 18, 2001**

(30) **Foreign Application Priority Data**

Jul. 27, 2000 (XH) DMA/004 975

(51) **LOC (7) Cl.** **15-05**

(52) **U.S. Cl.** **D32/21**

(58) **Field of Search** D32/21, 23-25, D32/31; 15/327.1, 327.2, 327.3, 327.4, 327.5, 327.6, 327.7, 321, 323, 339

(56) **References Cited**

U.S. PATENT DOCUMENTS

D368,993 S * 4/1996 Stutzer et al. D32/21

D394,527 S * 5/1998 Pochopien et al. D32/21
D394,528 S * 5/1998 Pochopien et al. D32/21
D398,093 S * 9/1998 Fujima D32/21
D399,617 S * 10/1998 Fujita D32/21
D417,046 S * 11/1999 Tsuruha et al. D32/21
D417,323 S * 11/1999 Fujita et al. D32/21

* cited by examiner

Primary Examiner—Ruth McInroy

(74) *Attorney, Agent, or Firm*—Ernestine C. Bartlett

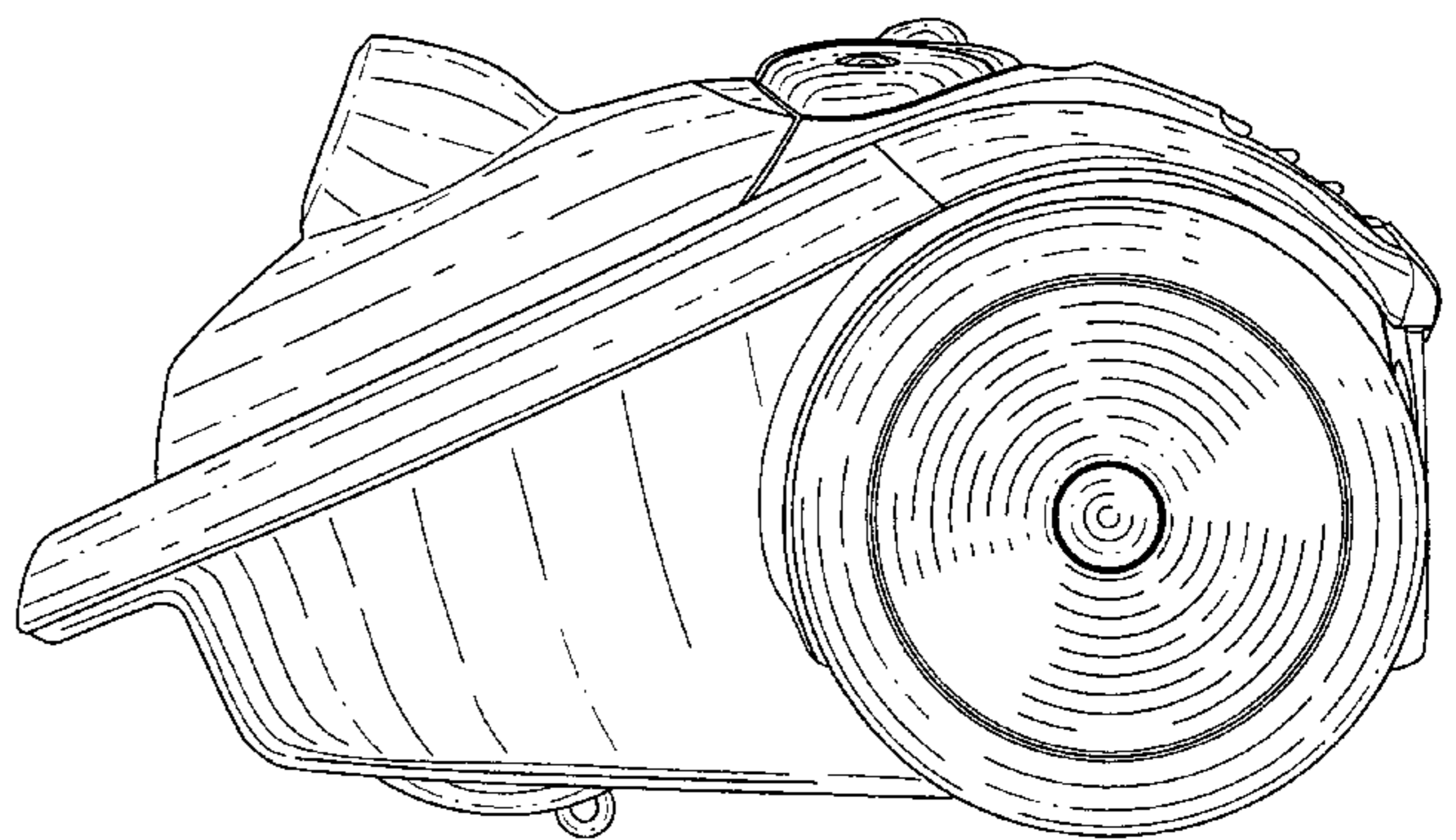
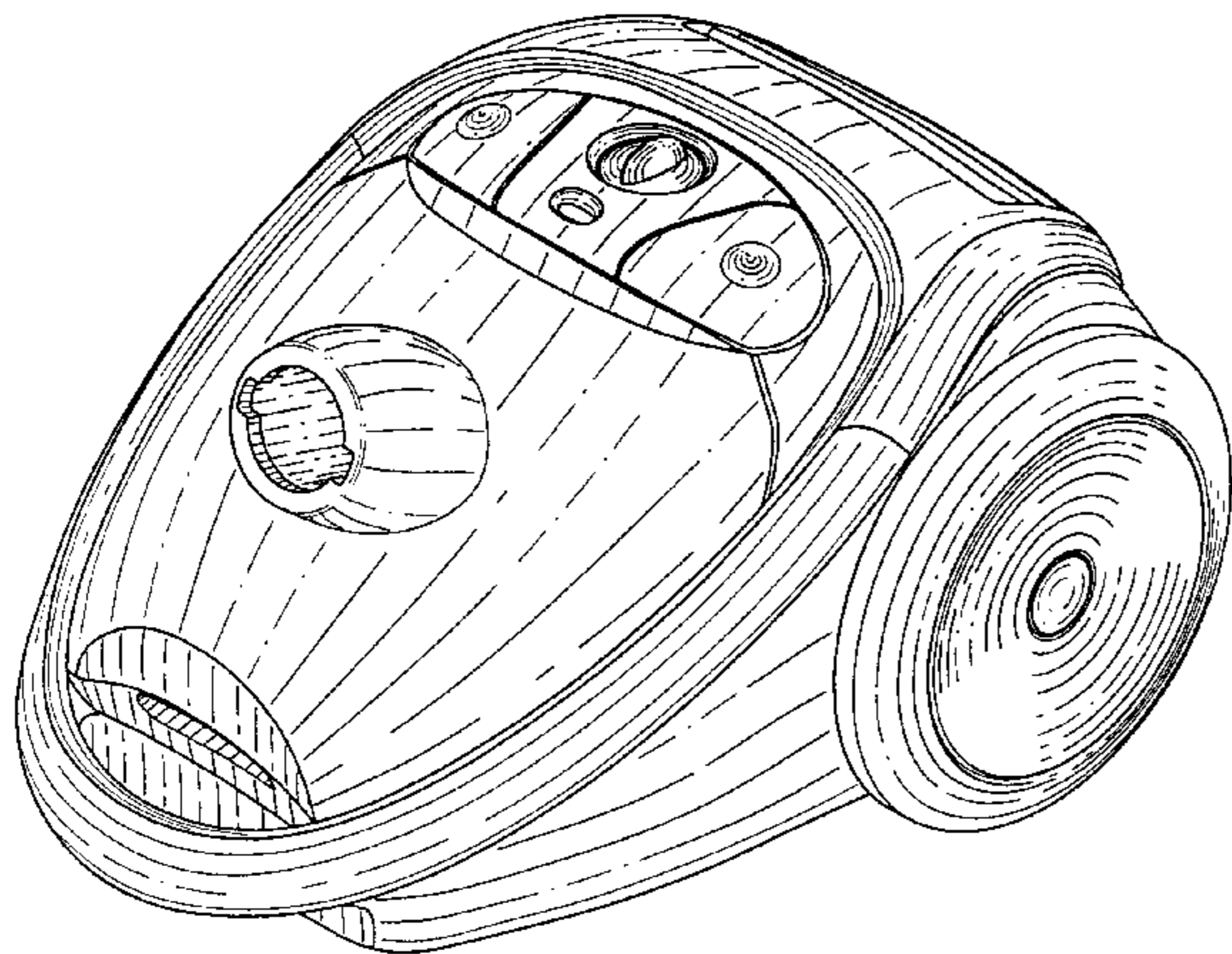
(57) **CLAIM**

The ornamental design for a vacuum cleaner, as shown.

DESCRIPTION

FIG. 1 is a perspective view of a vacuum cleaner showing my design;
FIG. 2 is a front elevational view thereof;
FIG. 3 is a rear elevational view thereof;
FIG. 4 is a right side elevational view thereof;
FIG. 5 is a left side elevational view thereof;
FIG. 6 is a top plan view thereof; and,
FIG. 7 is a bottom plan view thereof.

1 Claim, 5 Drawing Sheets



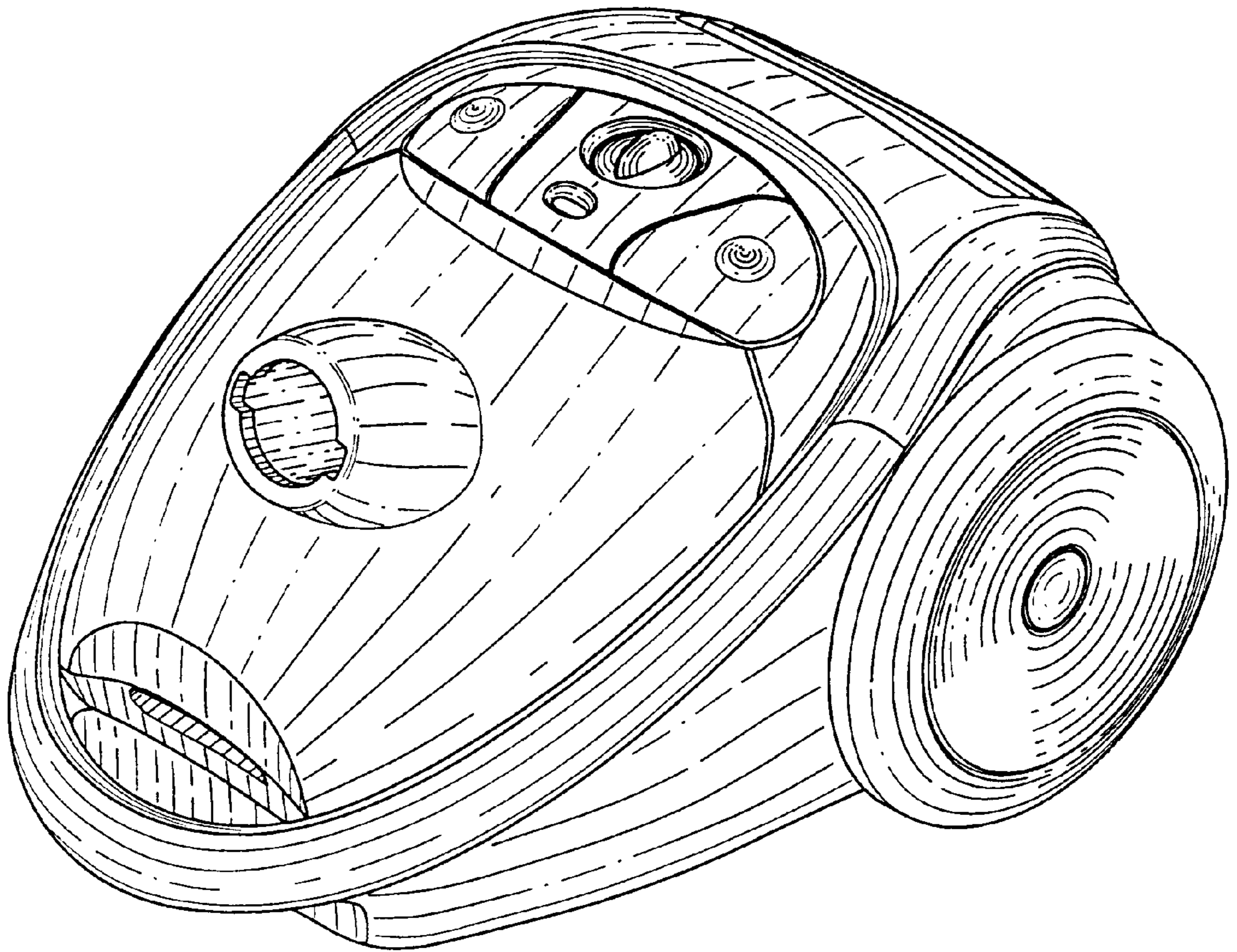


FIG. 1

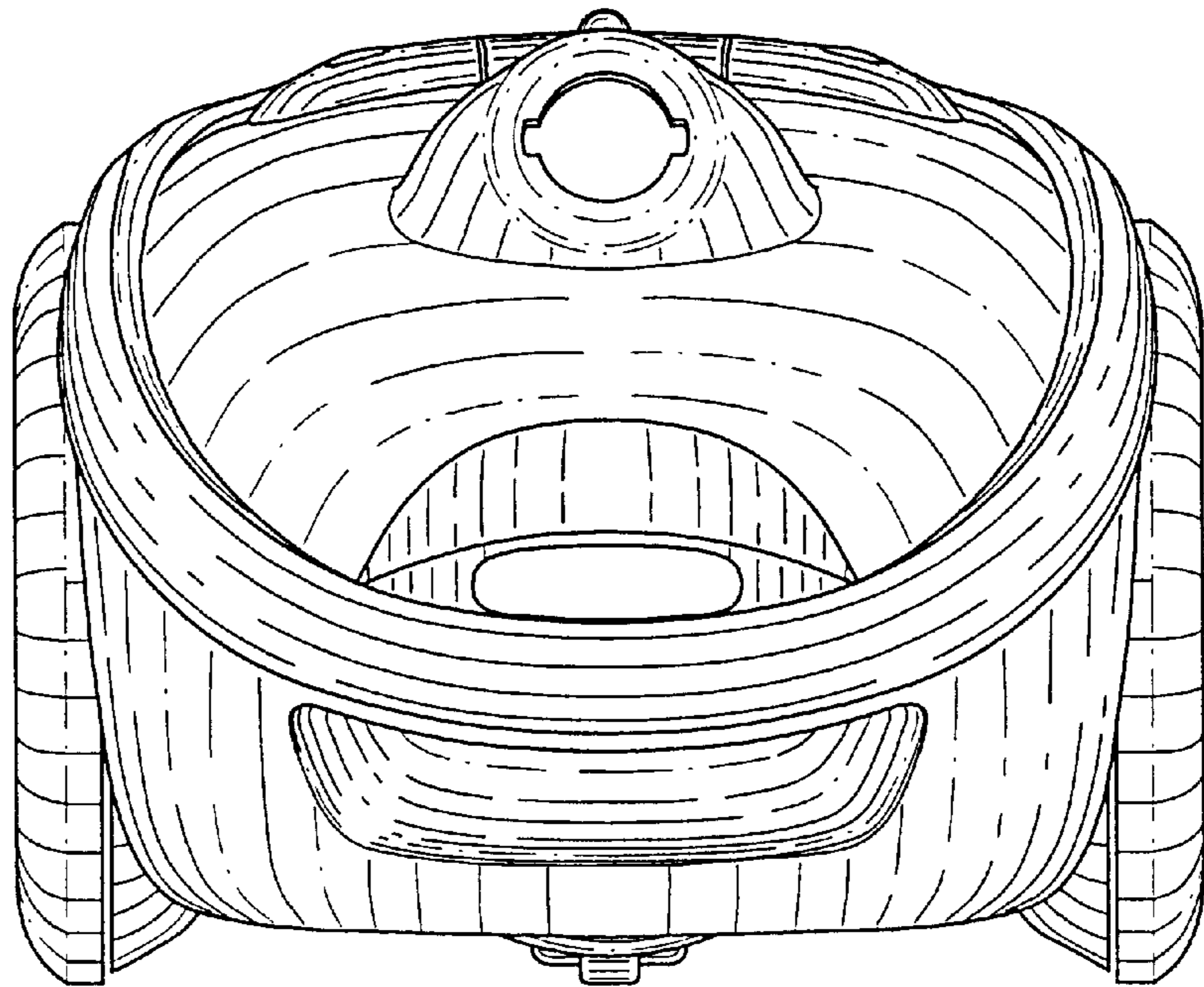


FIG. 2

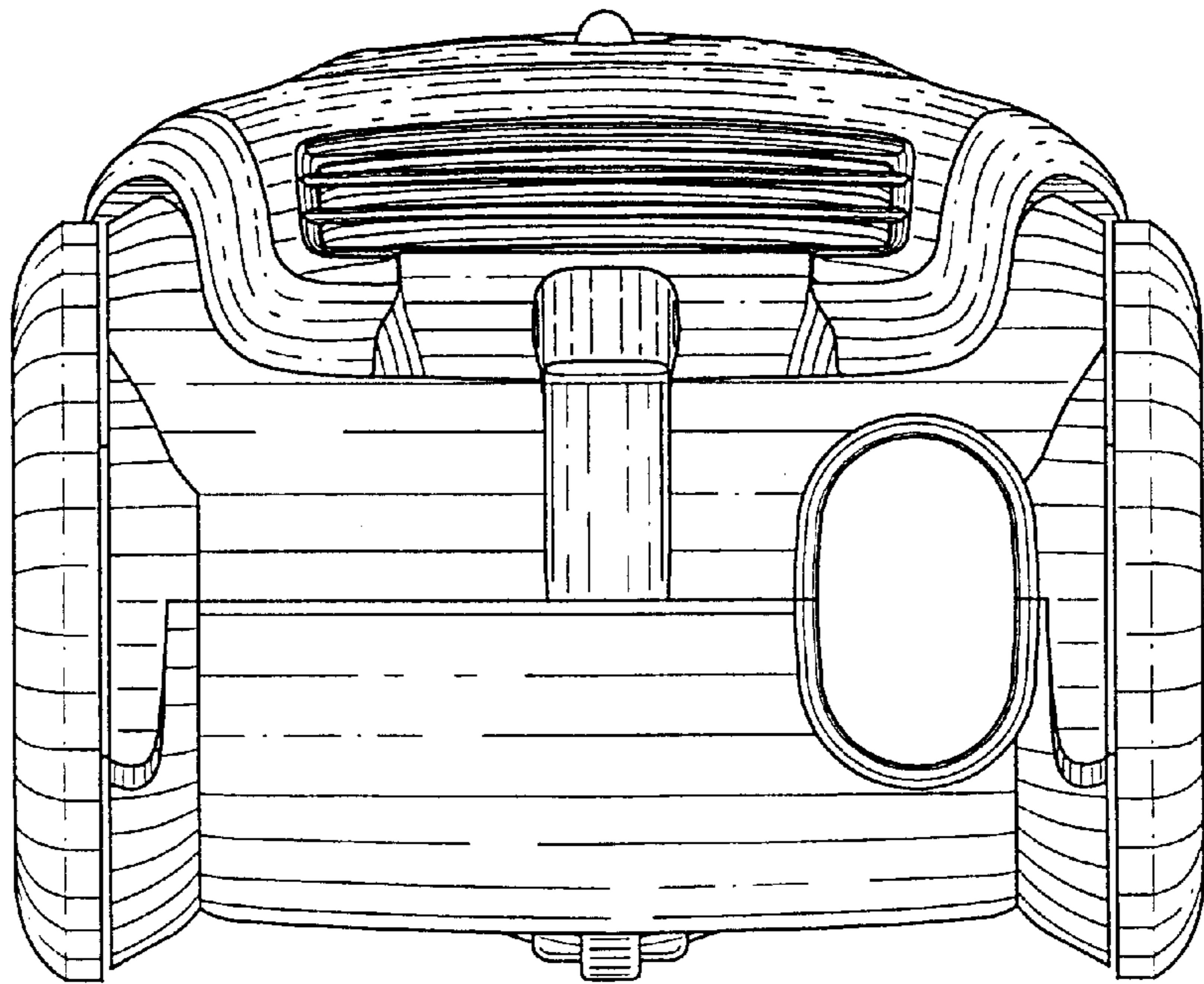


FIG. 3

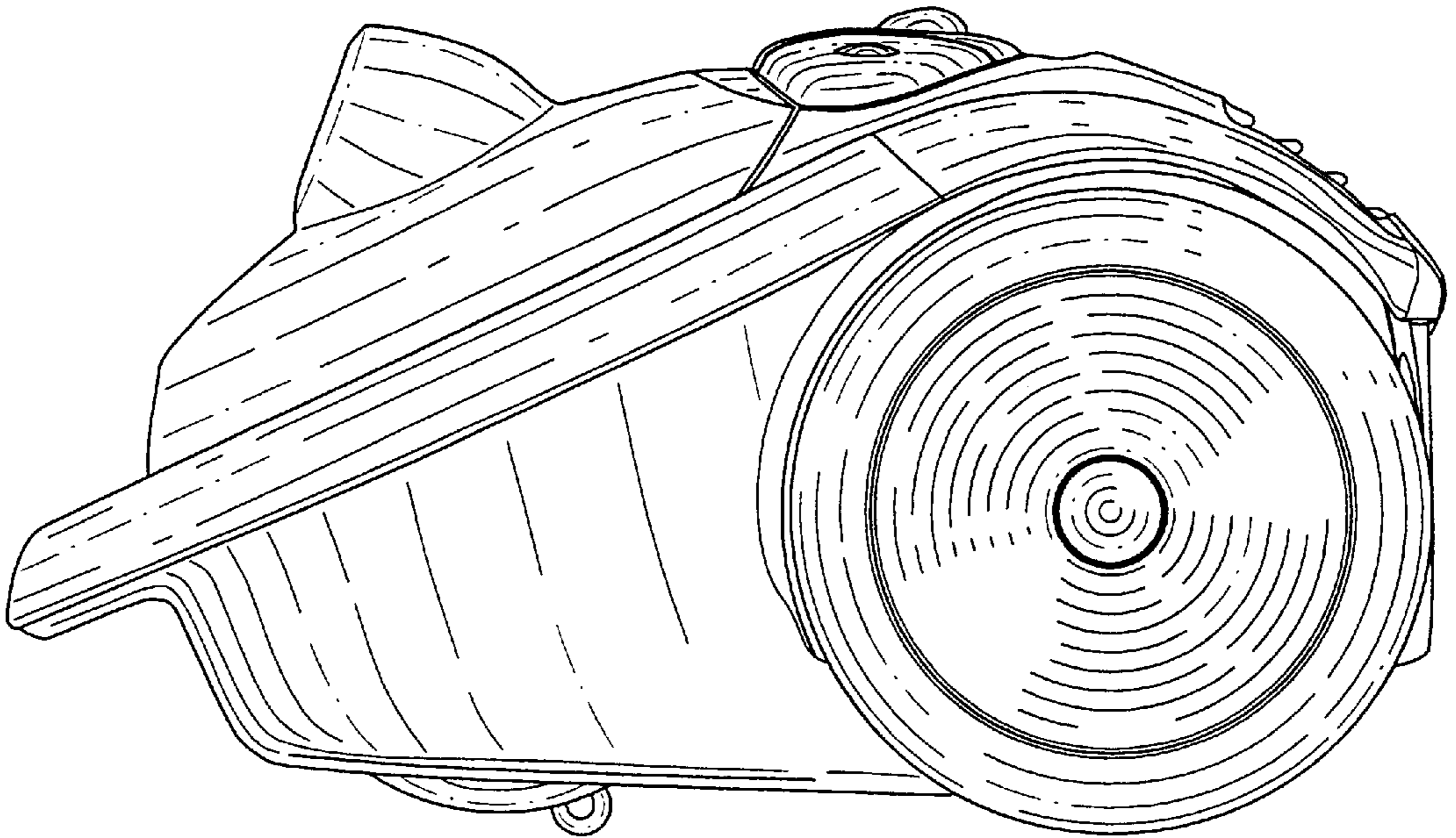


FIG. 4

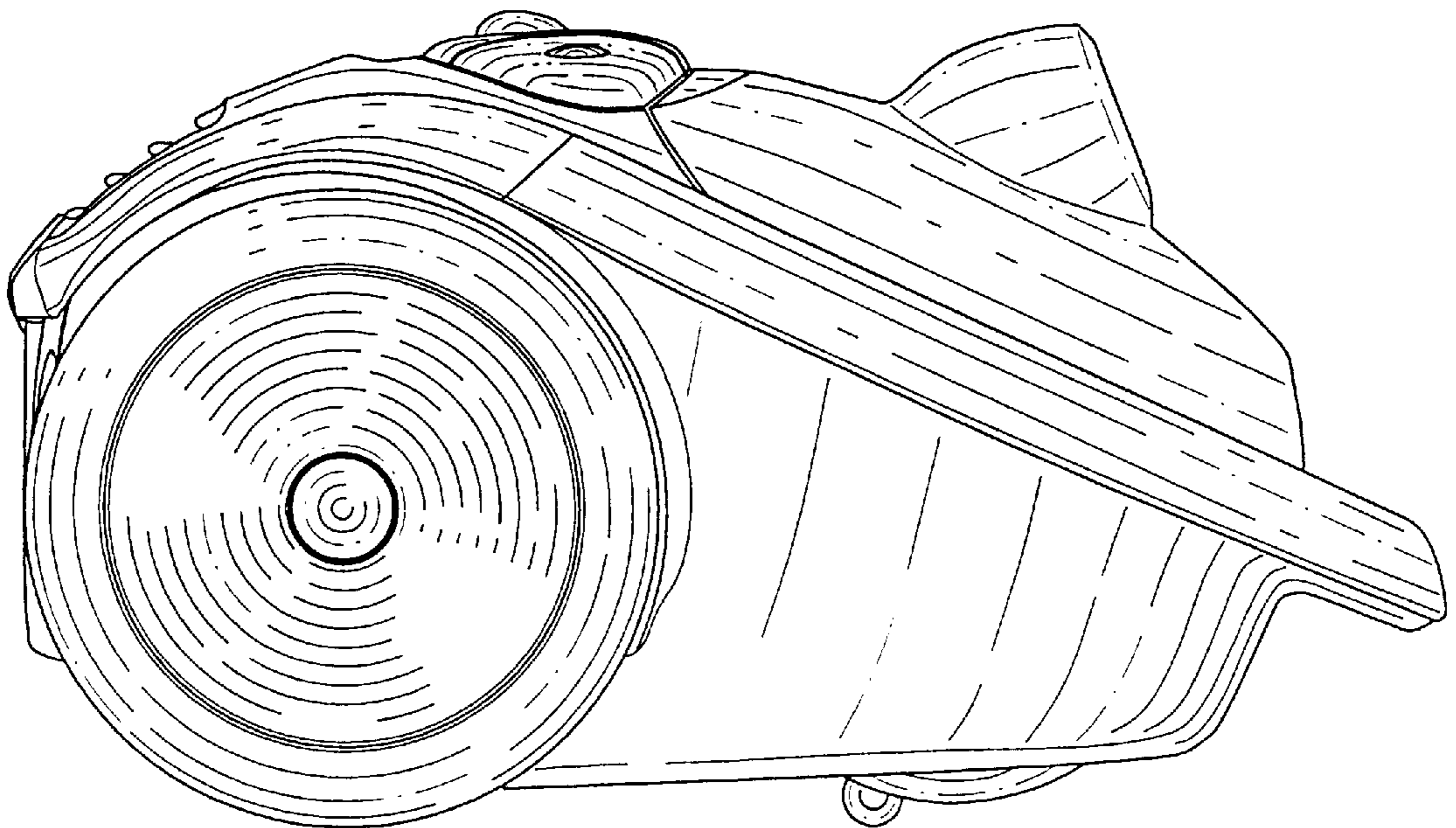


FIG. 5

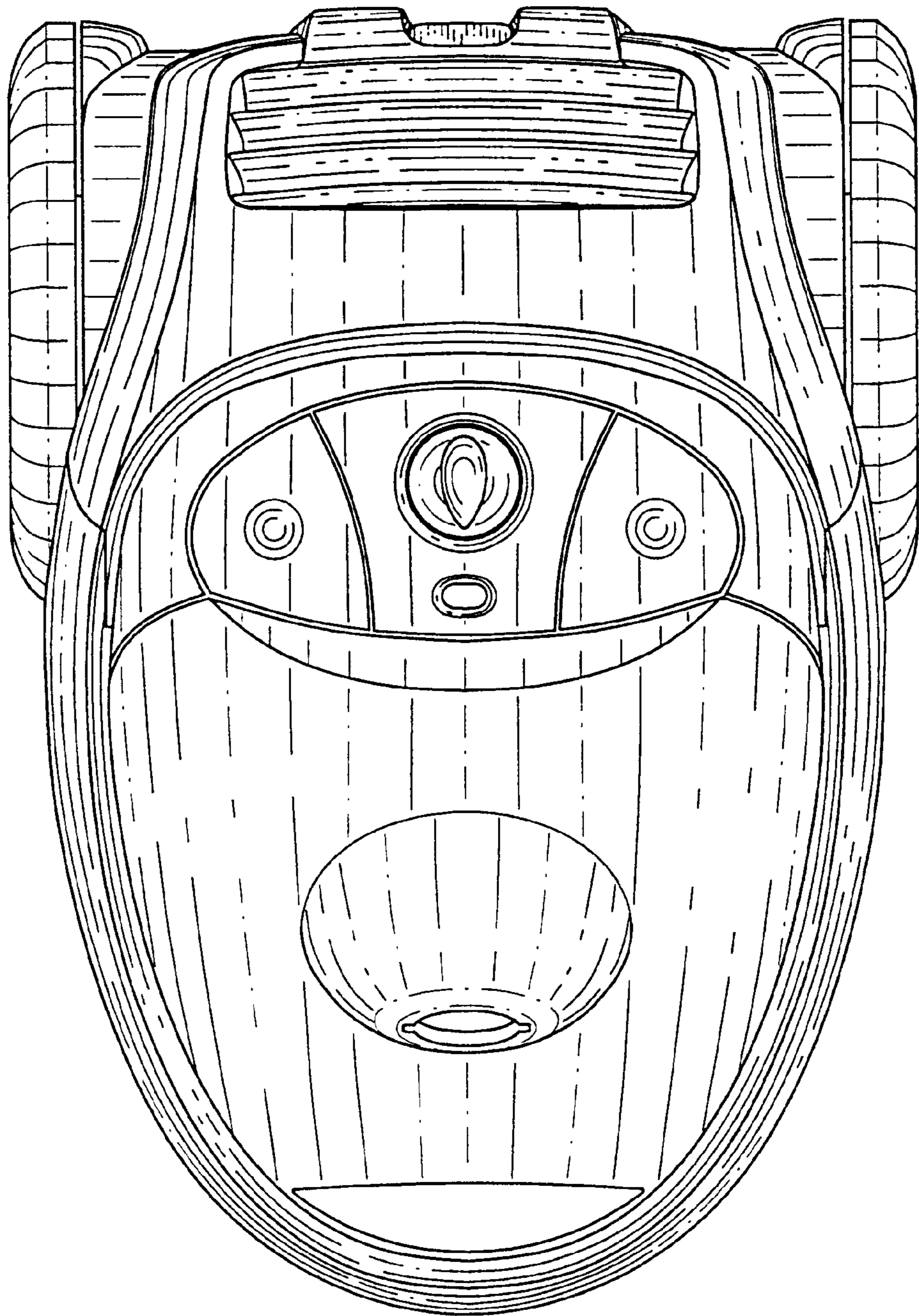


FIG. 6

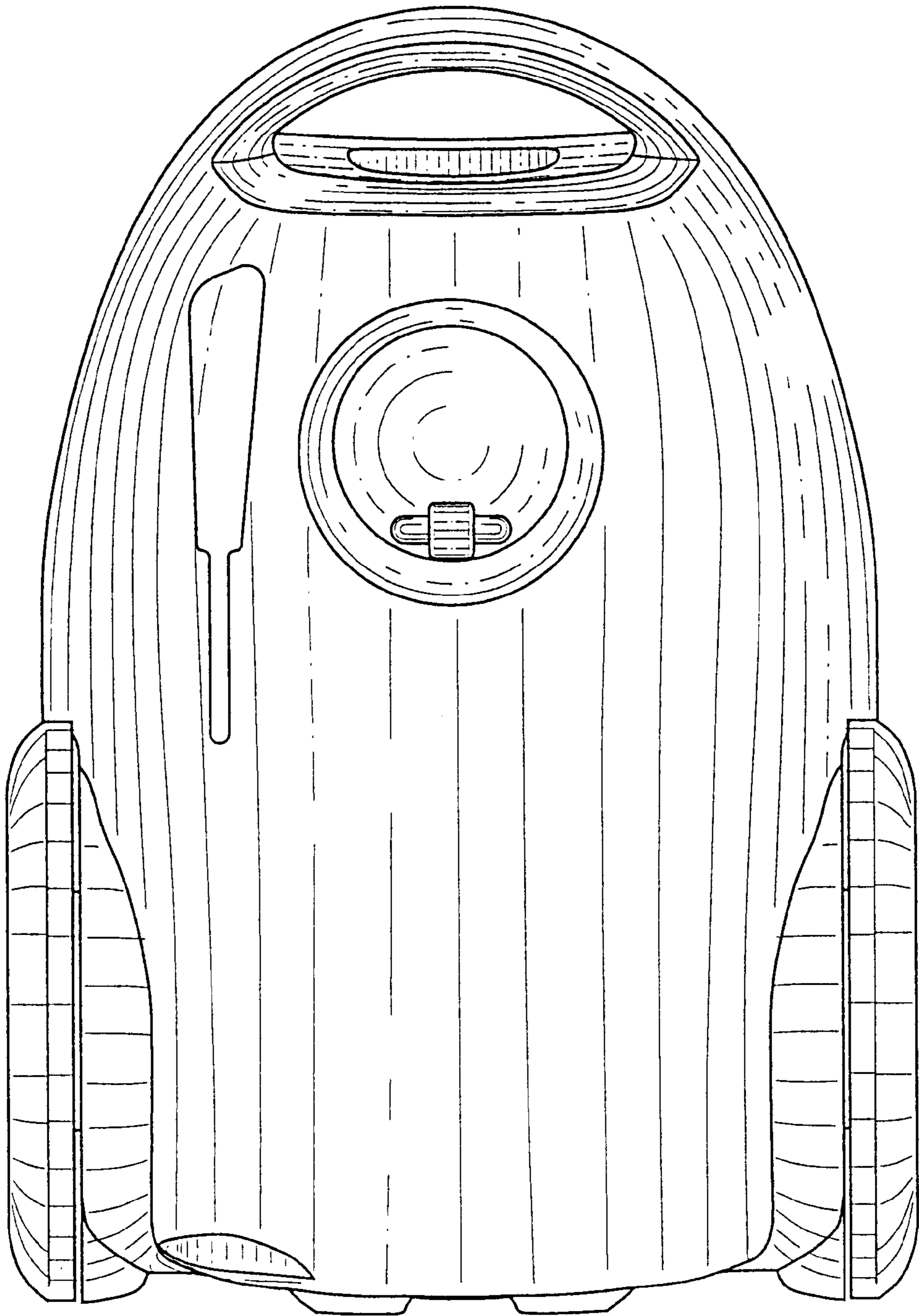


FIG. 7