



US00D456094S

(12) **United States Design Patent**
Robinson

(10) **Patent No.:** **US D456,094 S**

(45) **Date of Patent:** **** Apr. 23, 2002**

- (54) **UTILITY LIGHTER DEVICE**
- (75) Inventor: **Glenn Robinson**, Monmouth Junction, NJ (US)
- (73) Assignee: **Think Tek, Inc.**, Parsippany, NJ (US)
- (**) Term: **14 Years**
- (21) Appl. No.: **29/138,494**
- (22) Filed: **Mar. 14, 2001**
- (51) **LOC (7) Cl.** **27-05**
- (52) **U.S. Cl.** **D27/142**
- (58) **Field of Search** D27/141, 142, D27/143, 154, 155, 157; 431/253; D8/105; 7/118

4,783,867 A	11/1988	Tsao	
4,854,045 A	8/1989	Schaub	
4,986,459 A	1/1991	Yarbrough, Jr.	
5,313,376 A	5/1994	McIntosh	
5,364,263 A	11/1994	Doo-Seok	
5,442,529 A	8/1995	Hoover	
5,467,256 A	11/1995	Chen	
5,653,525 A	8/1997	Park	
5,667,370 A	9/1997	Im	
5,829,965 A	11/1998	Rubalcava	
5,857,268 A	1/1999	Park	
5,913,676 A	6/1999	Kim	
6,142,769 A	* 11/2000	Walker	431/253
D435,141 S	* 12/2000	Reynolds	D27/142
D440,350 S	* 4/2001	Park	431/253

* cited by examiner

Primary Examiner—Jennifer Rivard
(74) *Attorney, Agent, or Firm*—Cooper & Dunham LLP

(56) **References Cited**
U.S. PATENT DOCUMENTS

D144,876 S	5/1946	Specht
D152,386 S	1/1949	Zelenka
2,496,840 A	2/1950	Alexander
D158,906 S	6/1950	Stalker
2,521,630 A	9/1950	Florman
2,585,071 A	2/1952	Allen
2,633,137 A	3/1953	Narragon
2,651,106 A	9/1953	Breitzke
D170,767 S	11/1953	Polk
D172,108 S	5/1954	Polincovsky
D172,725 S	7/1954	Polk
2,828,855 A	4/1958	Mosch
3,200,822 A	8/1965	Meyer
3,220,420 A	11/1965	Genoud

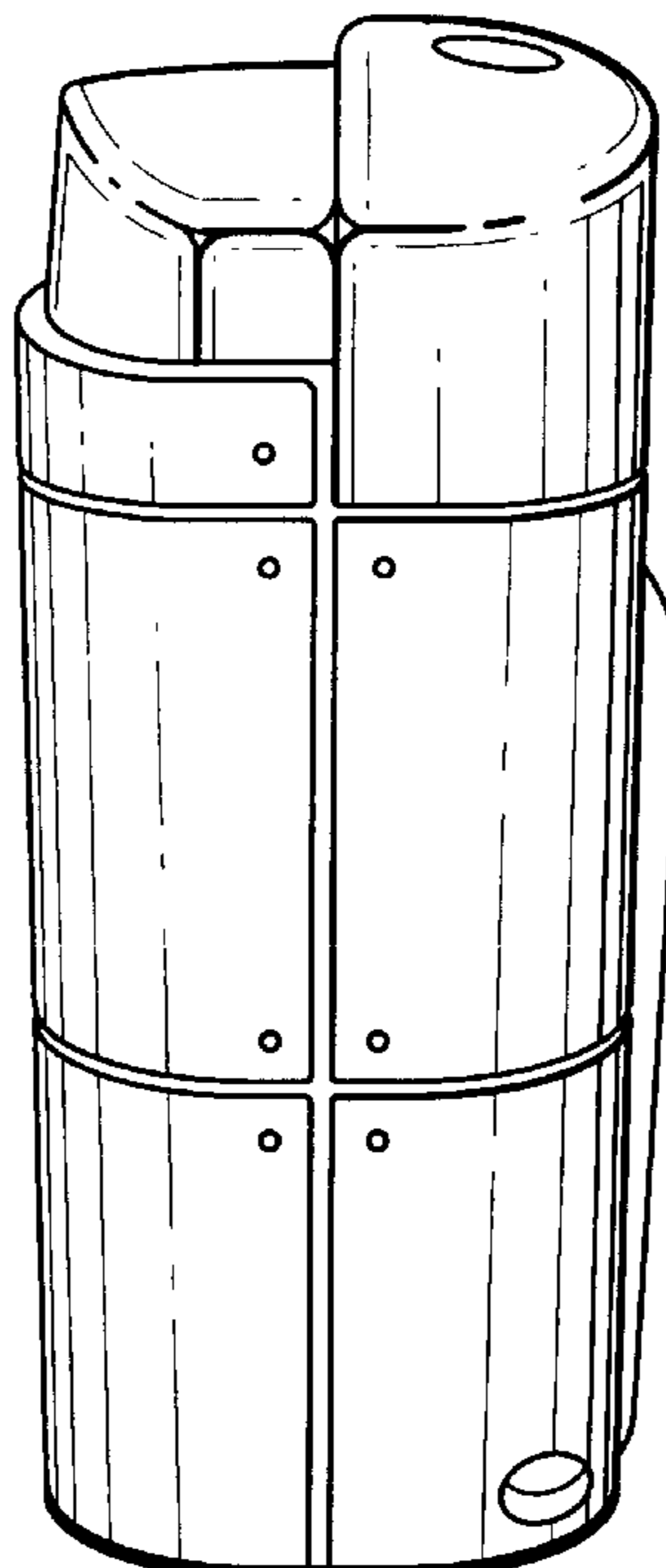
(57) **CLAIM**

The ornamental design for a utility lighter device, as shown and described.

DESCRIPTION

FIG. 1 is a front view of a utility lighter device showing our new design;
FIG. 2 is a rear view thereof;
FIG. 3 is a top view thereof;
FIG. 4 is a bottom view thereof;
FIG. 5 is a left hand side view thereof; and,
FIG. 6 is a right hand side view thereof.

1 Claim, 3 Drawing Sheets



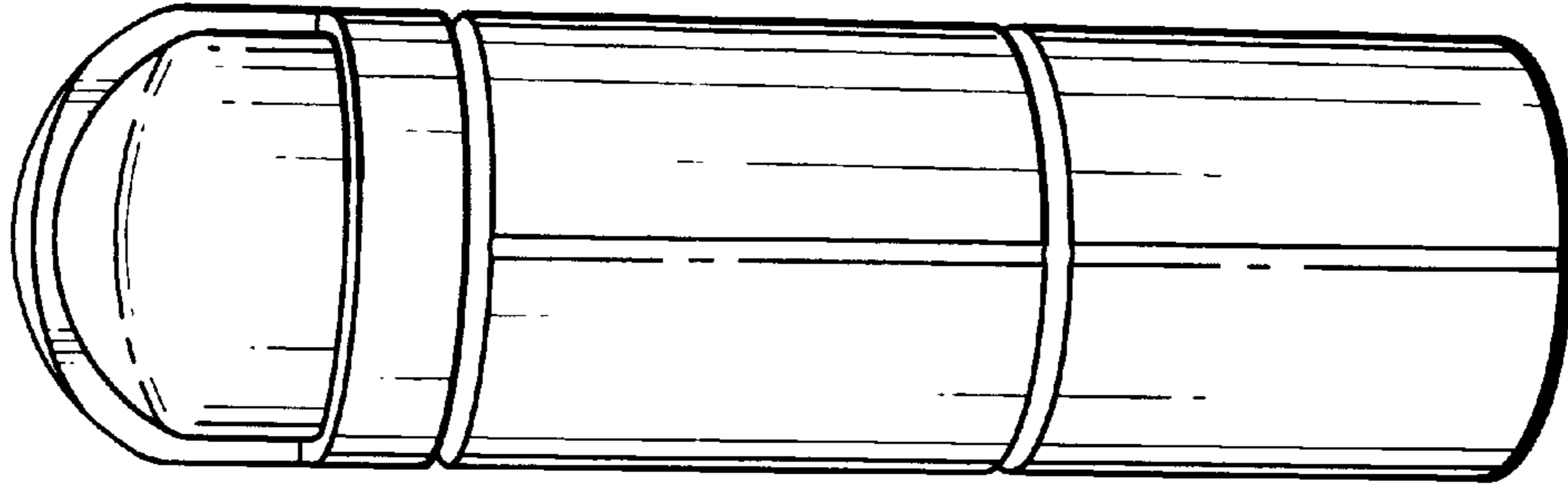


FIG. 2

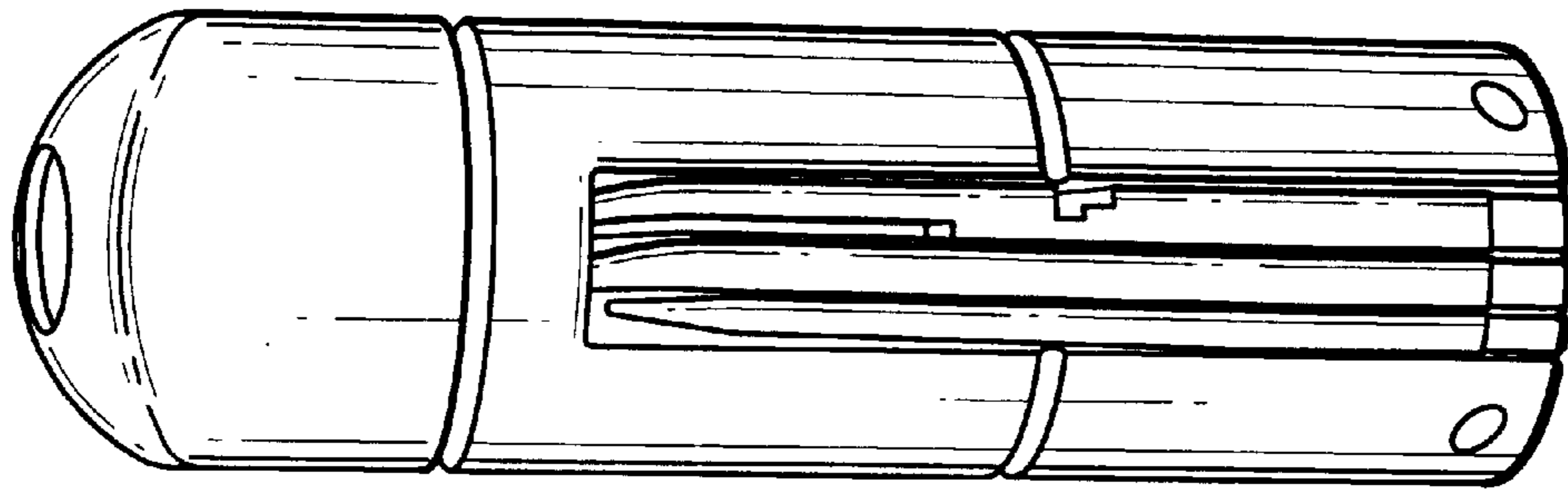


FIG. 1

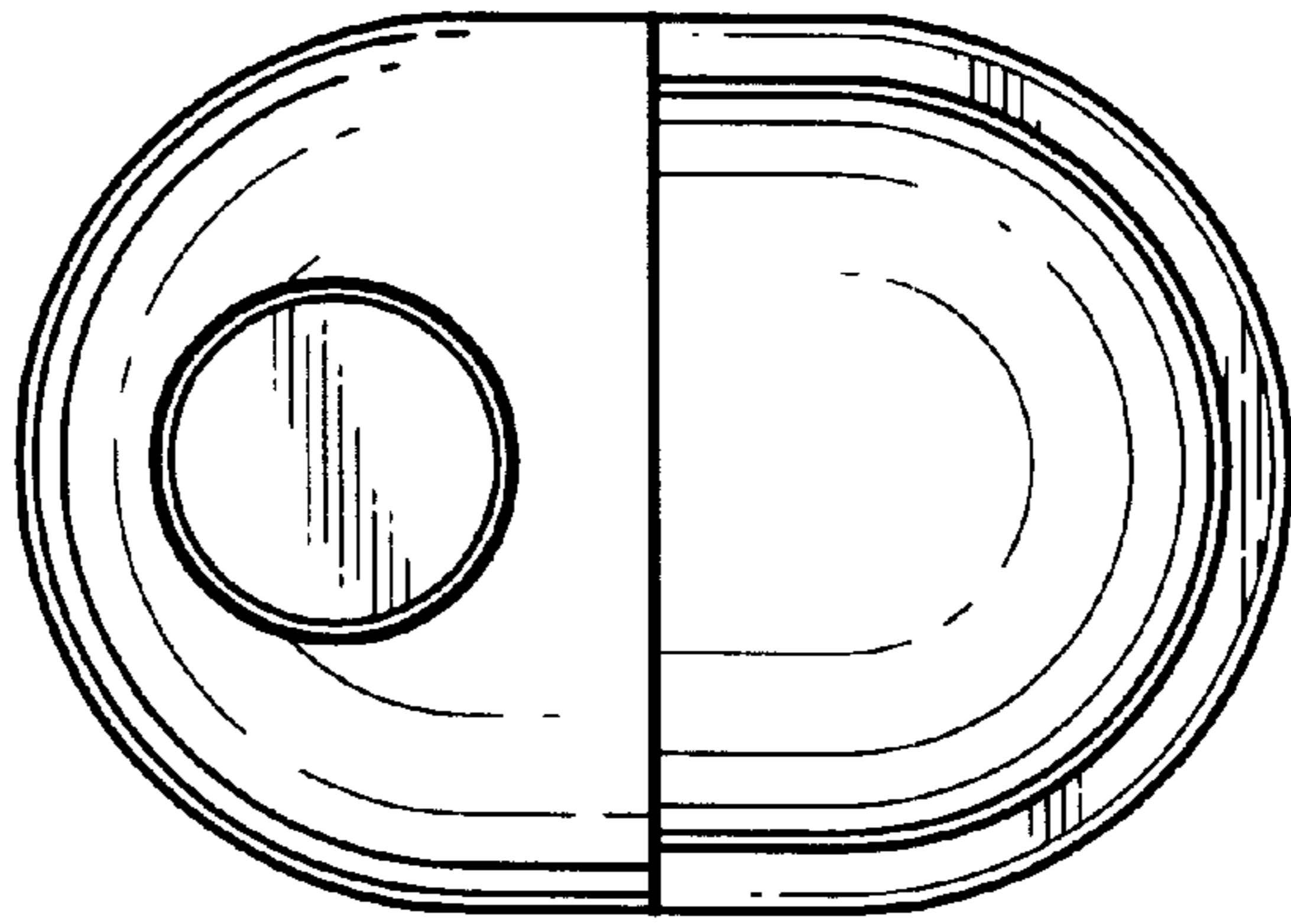


FIG. 3

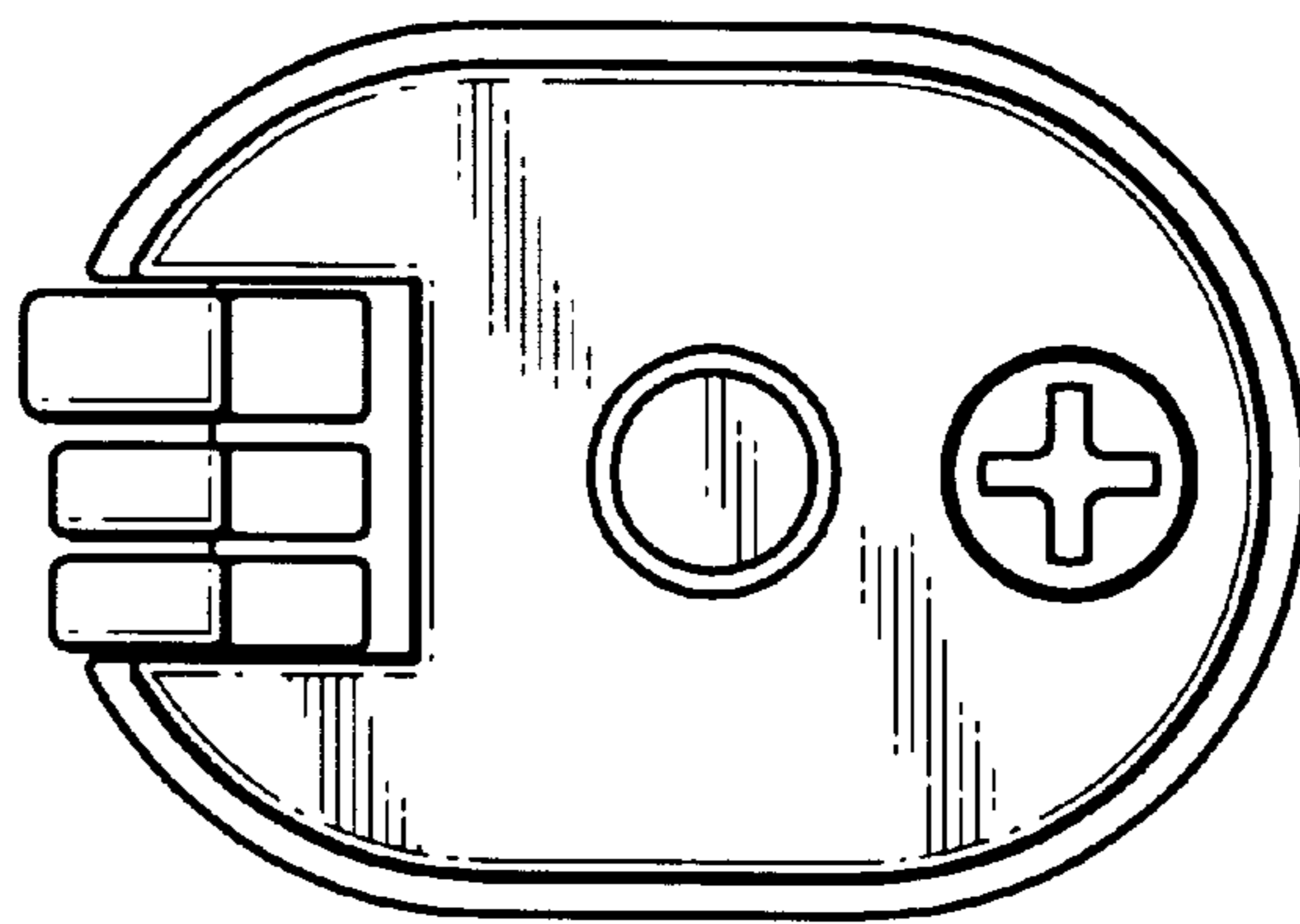


FIG. 4

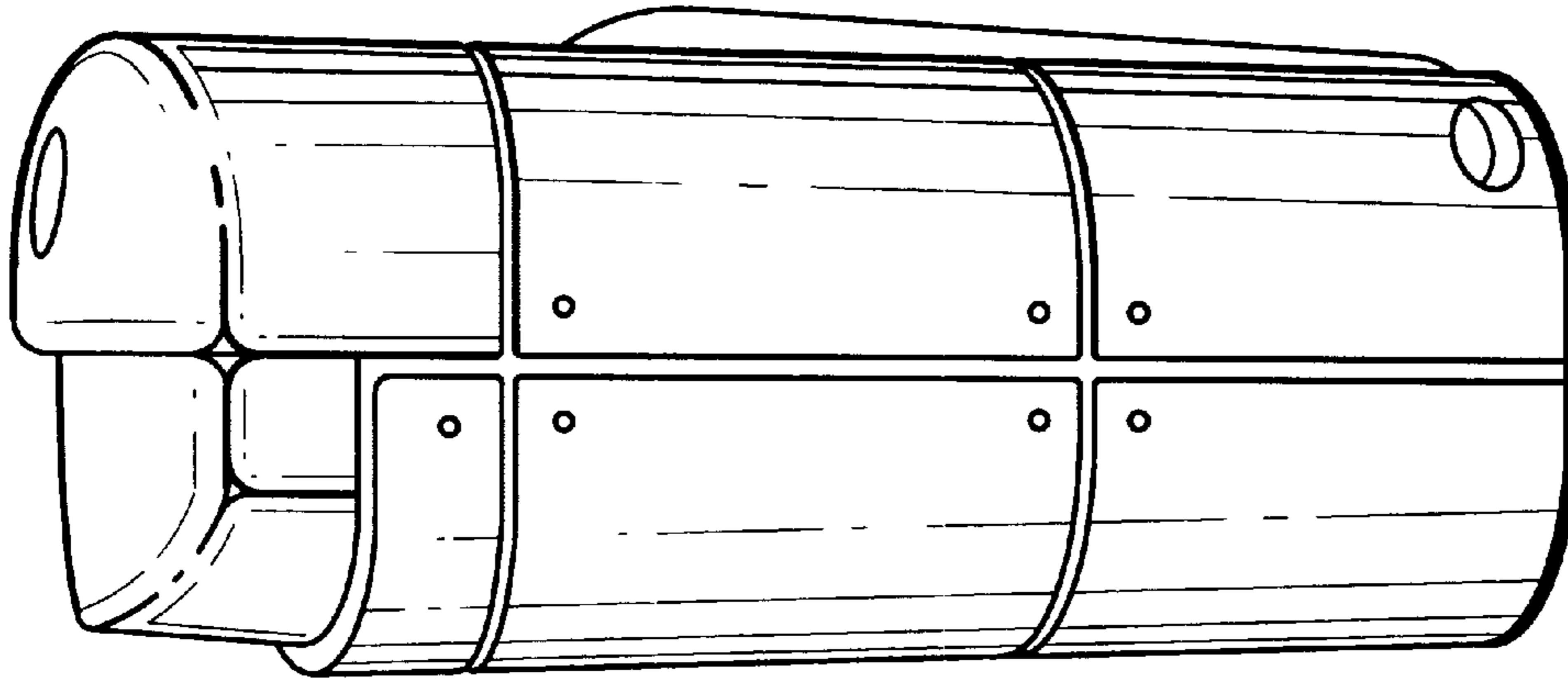


FIG. 6

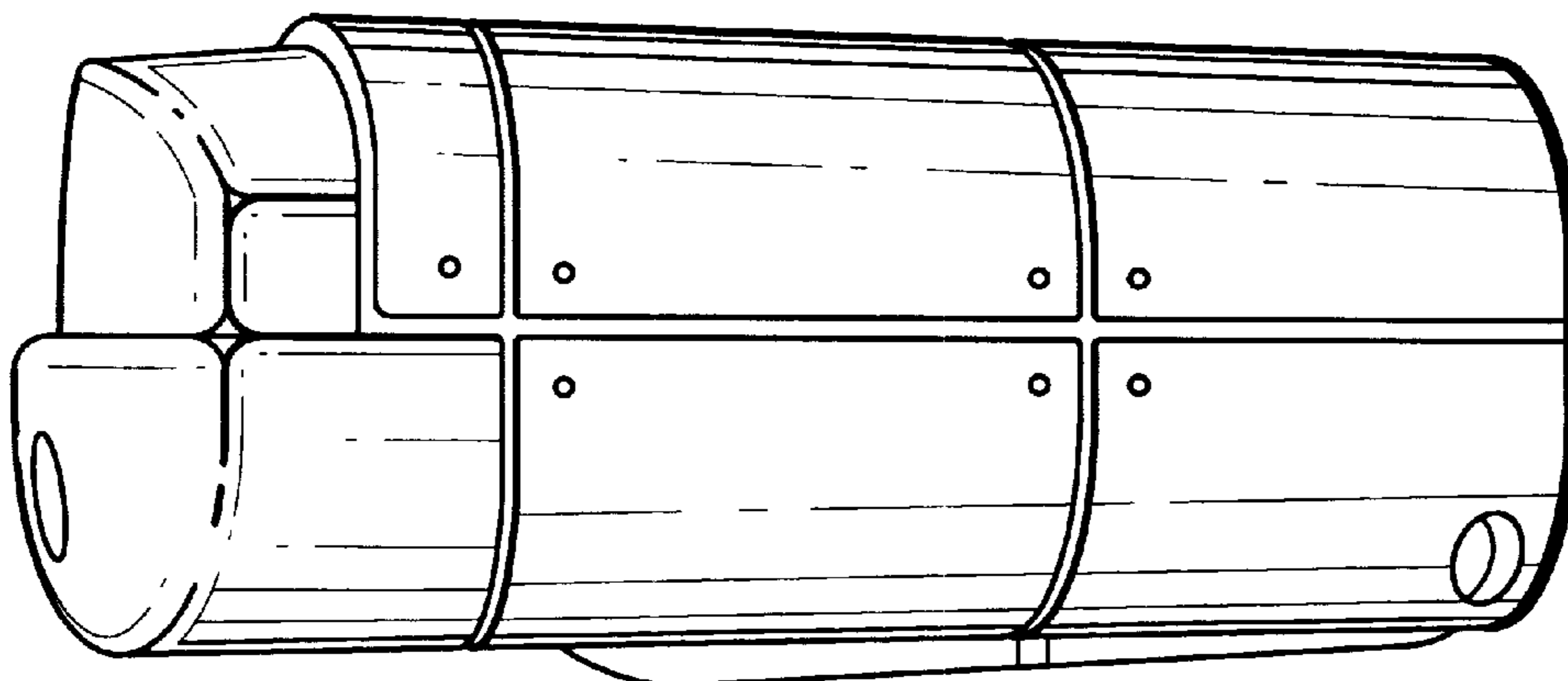


FIG. 5