



US00D456093S

(12) **United States Design Patent**
Rochon

(10) **Patent No.:** **US D456,093 S**

(45) **Date of Patent:** **** Apr. 23, 2002**

(54) **DECORATIVE WALL LAMP**

(75) Inventor: **Pierre-Yves Rochon**, Paris (FR)

(73) Assignee: **Marketing Light Export (S.A.)**, Paris (FR)

(**) Term: **14 Years**

(21) Appl. No.: **29/143,934**

(22) Filed: **Jun. 21, 2001**

(30) **Foreign Application Priority Data**

Dec. 22, 2000 (FR) 00 7559

(51) **LOC (7) Cl.** **26-05**

(52) **U.S. Cl.** **D26/72; D26/85**

(58) **Field of Search** **D26/72-74, 81-87, D26/92; 362/147, 432, 363, 367, 368**

(56) **References Cited**

U.S. PATENT DOCUMENTS

D408,576 S * 4/1999 Crosby D26/85
D429,361 S * 8/2000 Tihany D26/87

OTHER PUBLICATIONS

Taiwan Lighting May 1999 p. 243 item nos. 1888 and 1889.*

Lighting Design & Application, Jul. 1999, p. 41, Spectra wall sconce from Targetti USA, top right photo.*

* cited by examiner

Primary Examiner—Alan P. Douglas

Assistant Examiner—Clare E. Heflin

(74) *Attorney, Agent, or Firm*—Alfred M. Walker

(57) **CLAIM**

The ornamental design for a decorative wall lamp, as shown and described.

DESCRIPTION

FIG. 1 is a perspective view of a decorative wall lamp, showing my new design;

FIG. 2 is a front elevational view thereof;

FIG. 3 is a right side elevational view thereof;

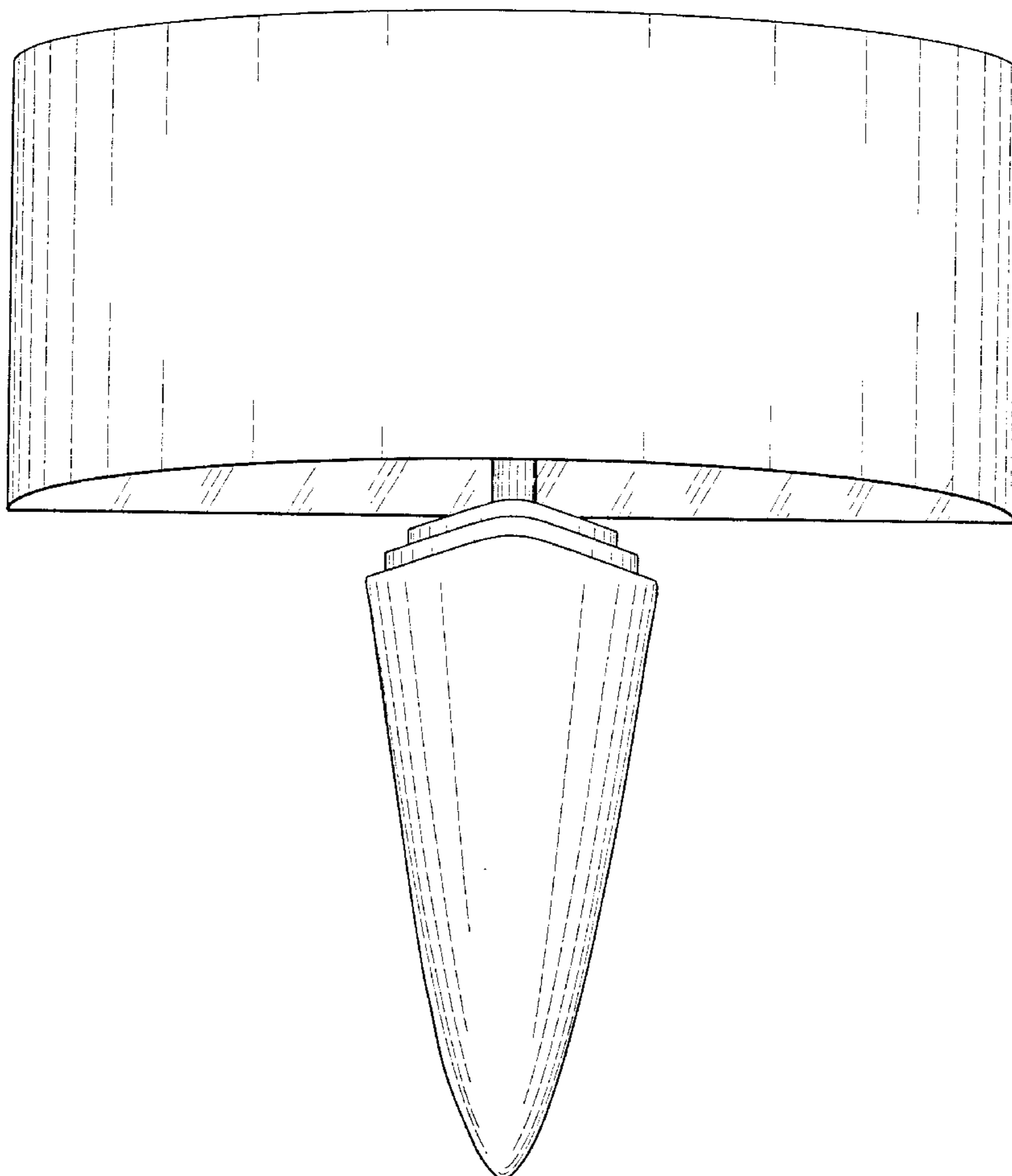
FIG. 4 is a left side elevational view thereof,

FIG. 5 is a bottom view thereof;

FIG. 6 is a top plan view thereof; and,

FIG. 7 is a rear view thereof.

1 Claim, 5 Drawing Sheets



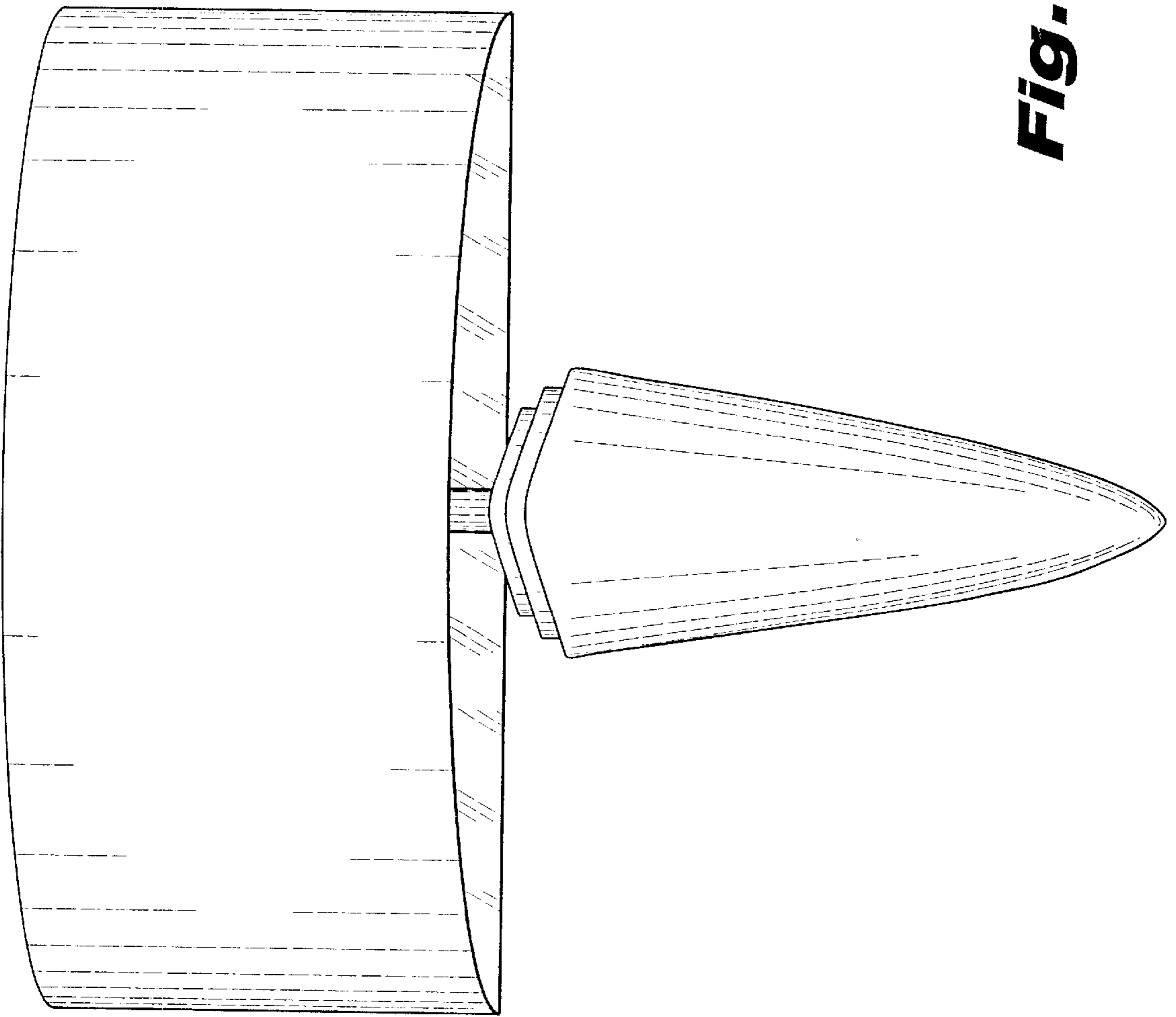


Fig. 1

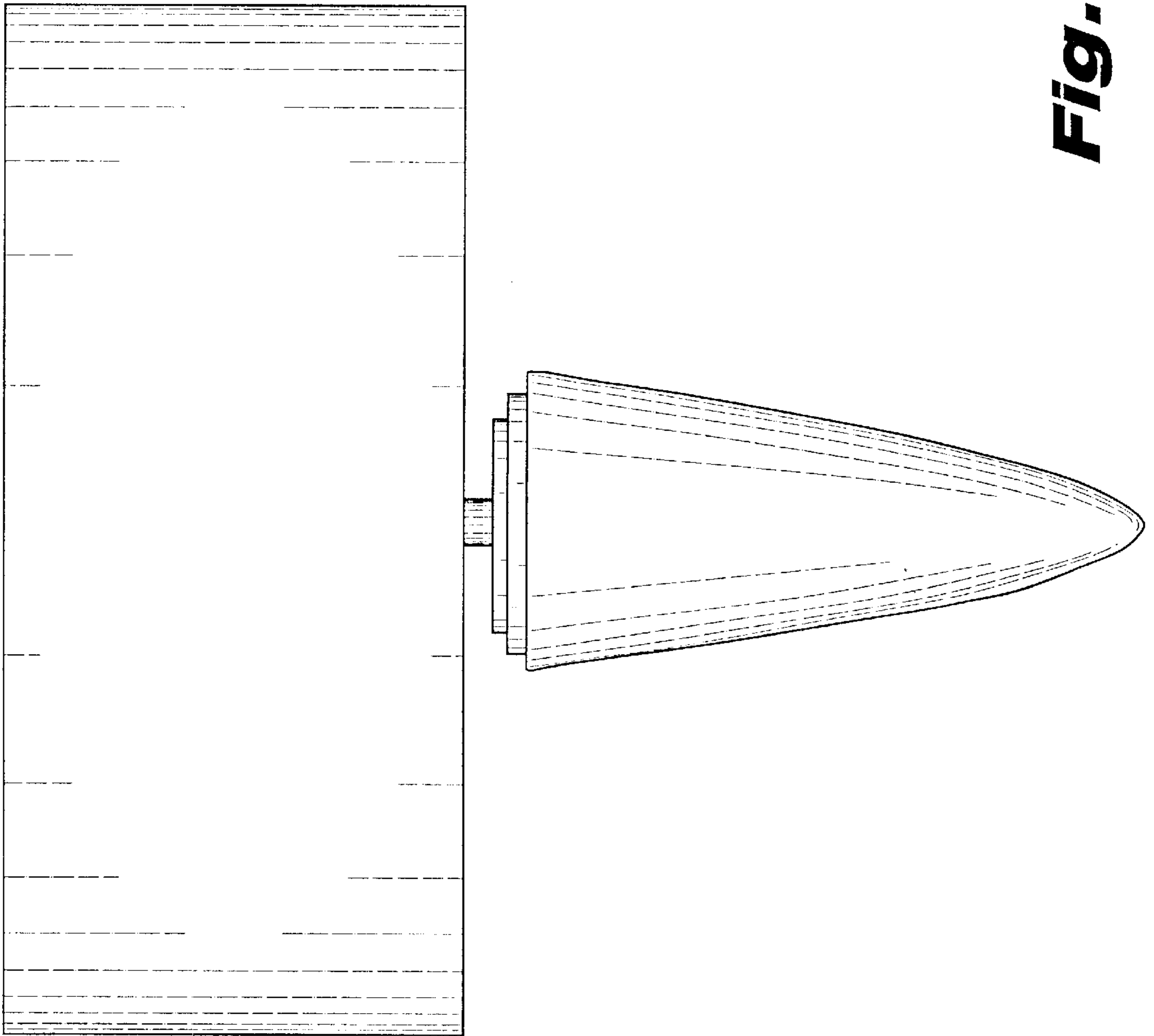


Fig. 2

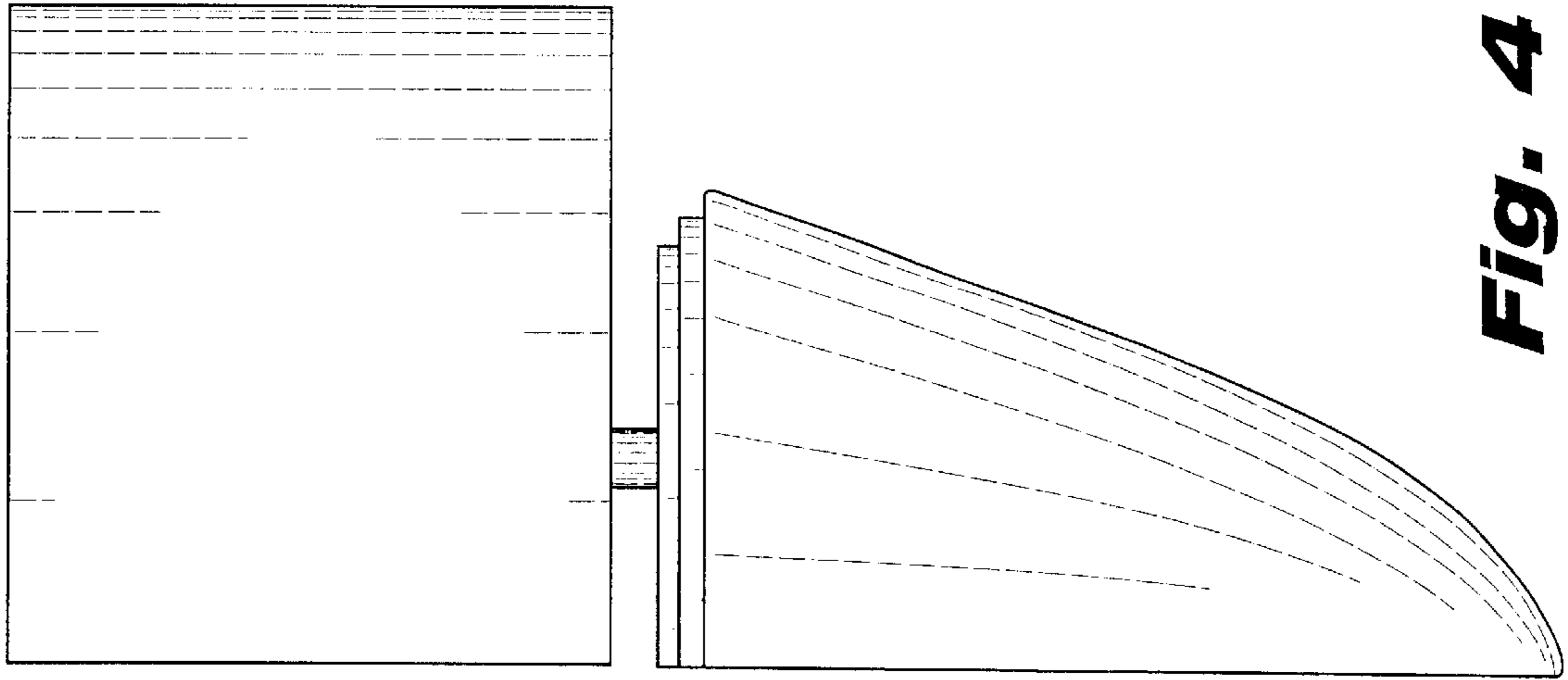


Fig. 4

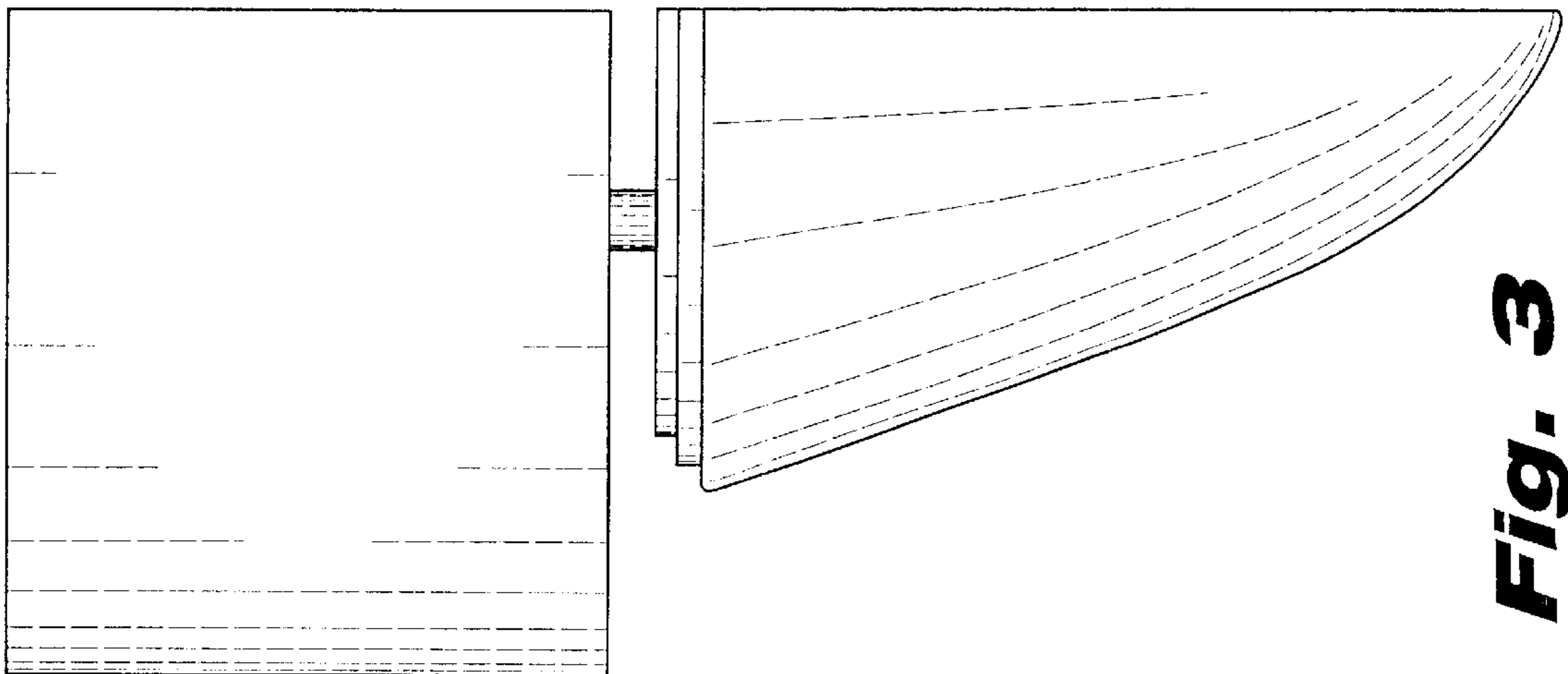


Fig. 3

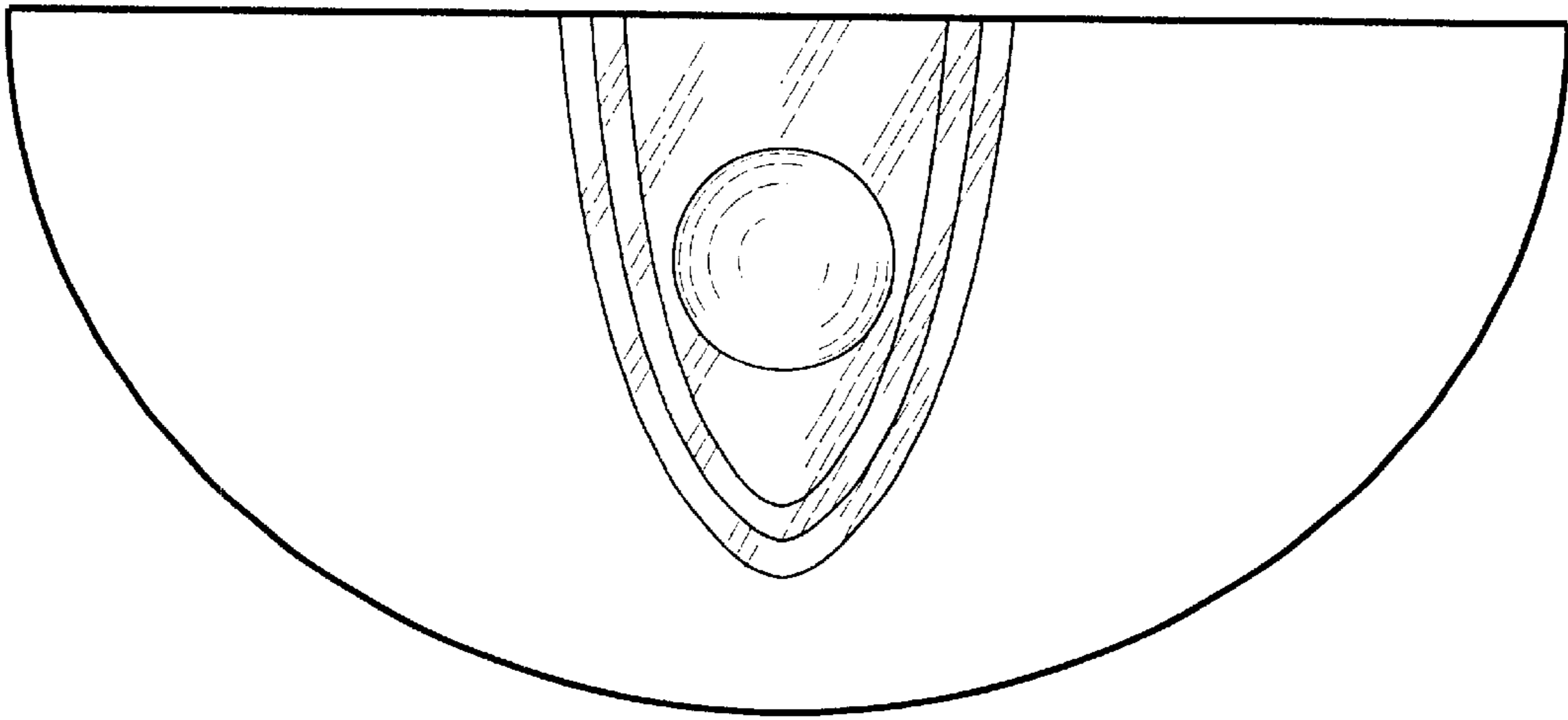


Fig. 5

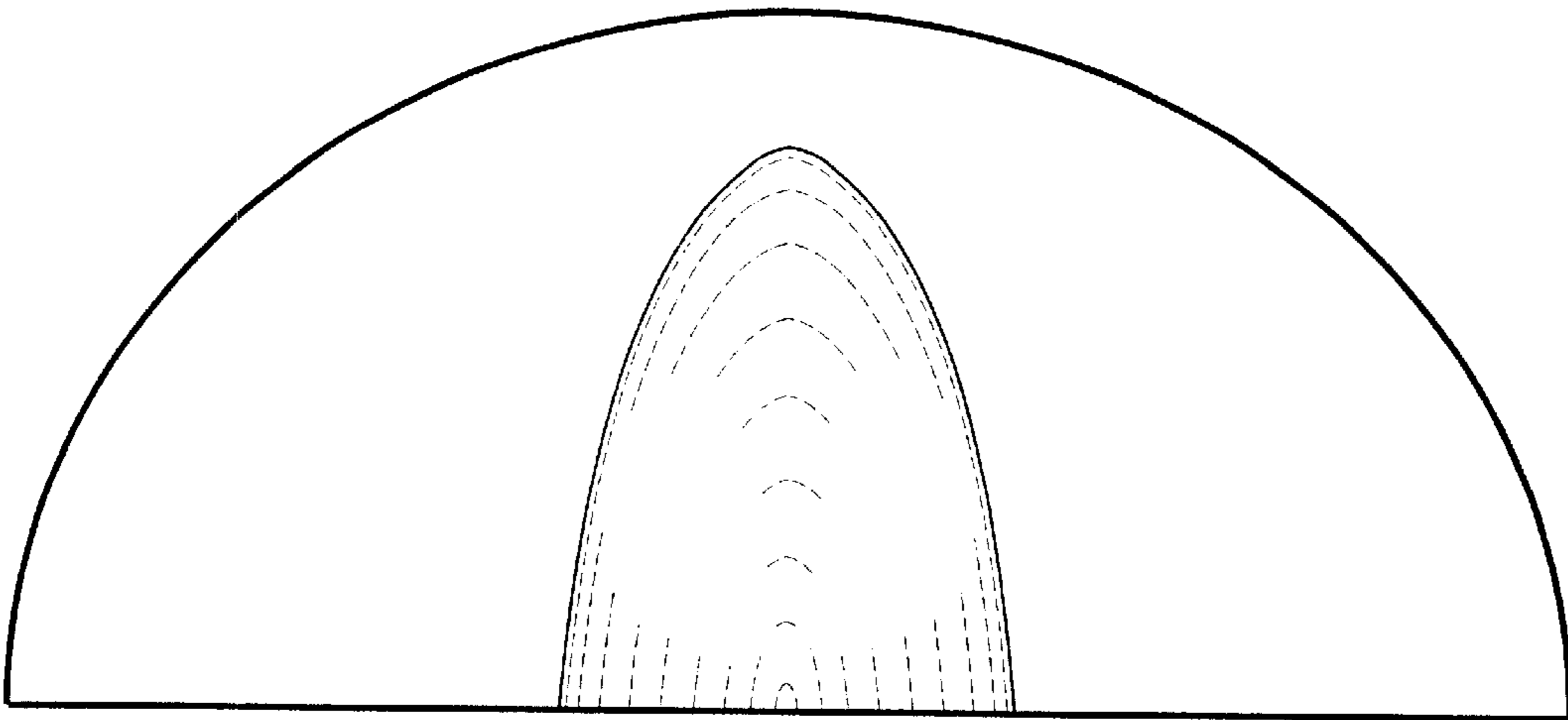


Fig. 6

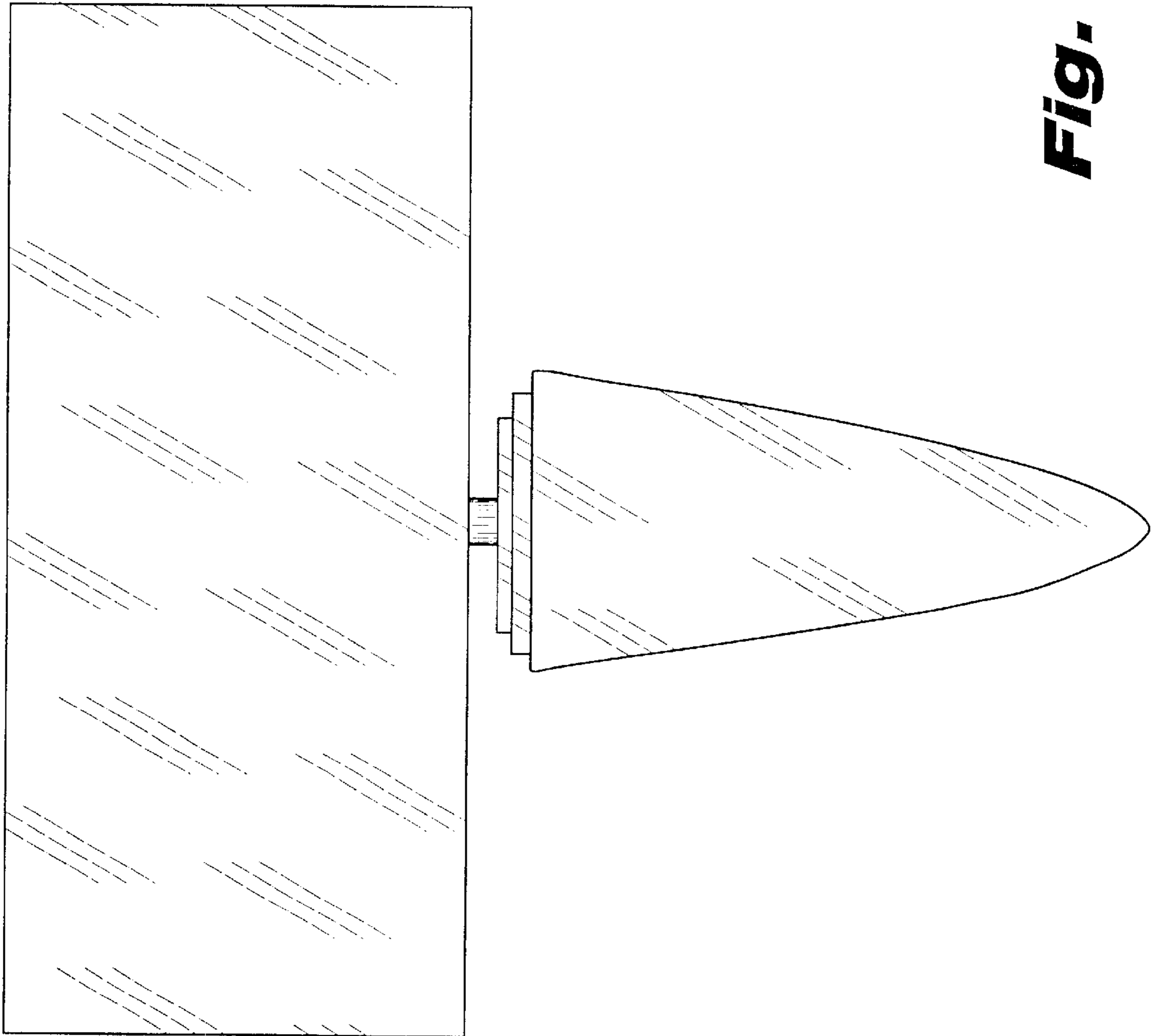


Fig. 7