



US00D456091S

(12) **United States Design Patent**  
**Rahn**

(10) **Patent No.:** **US D456,091 S**

(45) **Date of Patent:** **\*\* Apr. 23, 2002**

(54) **ELECTRIC LIGHTING FIXTURE**

(75) Inventor: **Erhard Rahn**, Berlin (DE)

(73) Assignee: **Franz Sill GmbH** (DE)

(\*\*) Term: **14 Years**

(21) Appl. No.: **29/141,607**

(22) Filed: **May 9, 2001**

(30) **Foreign Application Priority Data**

Jan. 17, 2001 (DE) ..... 401 00 528

(51) **LOC (7) Cl.** ..... **26-05**

(52) **U.S. Cl.** ..... **D26/63**

(58) **Field of Search** ..... D26/60-66; 362/269,  
362/270, 275, 277, 281, 283, 284, 287,  
289, 401, 402, 427, 423

(56) **References Cited**

**U.S. PATENT DOCUMENTS**

- D372,550 S \* 8/1996 Stultz ..... D26/63
- D399,018 S \* 9/1998 Jensen et al. .... D26/63
- D434,515 S \* 11/2000 McNamara ..... D26/63
- D437,651 S \* 2/2001 Tang ..... D26/63

**OTHER PUBLICATIONS**

Illuminotechnica, Nov.-Dec., 1996, p. 15, ceiling lighting fixtures.\*

Lighting Design and Application, Nov. 1987, p. 26, staff lighting luminaire, bottom, left corner.\*

\* cited by examiner

*Primary Examiner*—Suan J. Lucas

(74) *Attorney, Agent, or Firm*—McGlew and Tuttle, P.C.

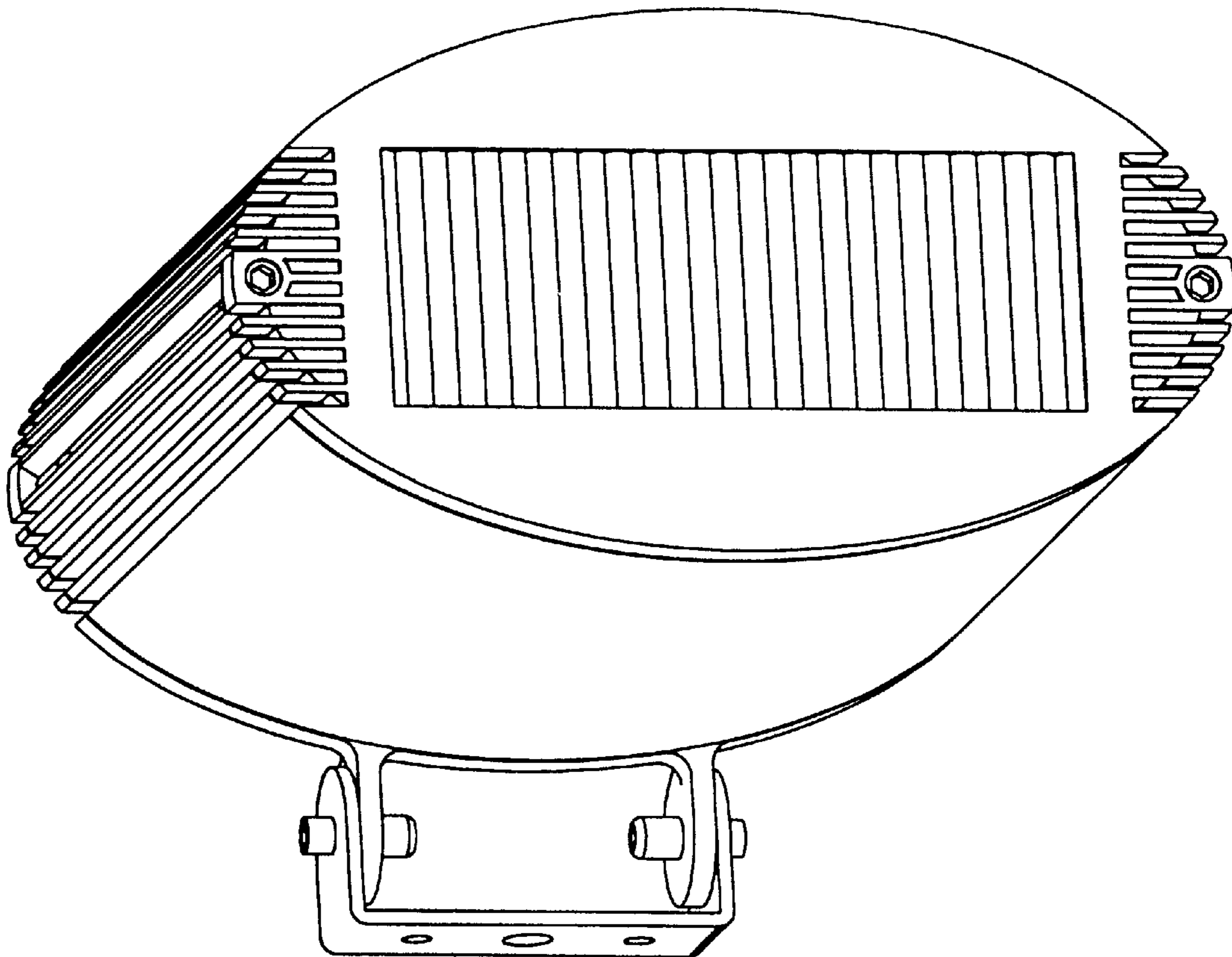
(57) **CLAIM**

The ornamental design for a electric lighting fixture, as shown and described.

**DESCRIPTION**

FIG. 1 is a perspective rear side view of my design;  
 FIG. 2 is perspective front view from below of my design;  
 FIG. 3 is an underside/bottom view of my design;  
 FIG. 4 is a left side view of my design;  
 FIG. 5 is an upper side/top view of my design;  
 FIG. 6 is a right side view of my design;  
 FIG. 7 is a front view of my design;  
 FIG. 8 is a rear side view of my design; and,  
 FIG. 9 is a perspective front side view of my design.

**1 Claim, 6 Drawing Sheets**



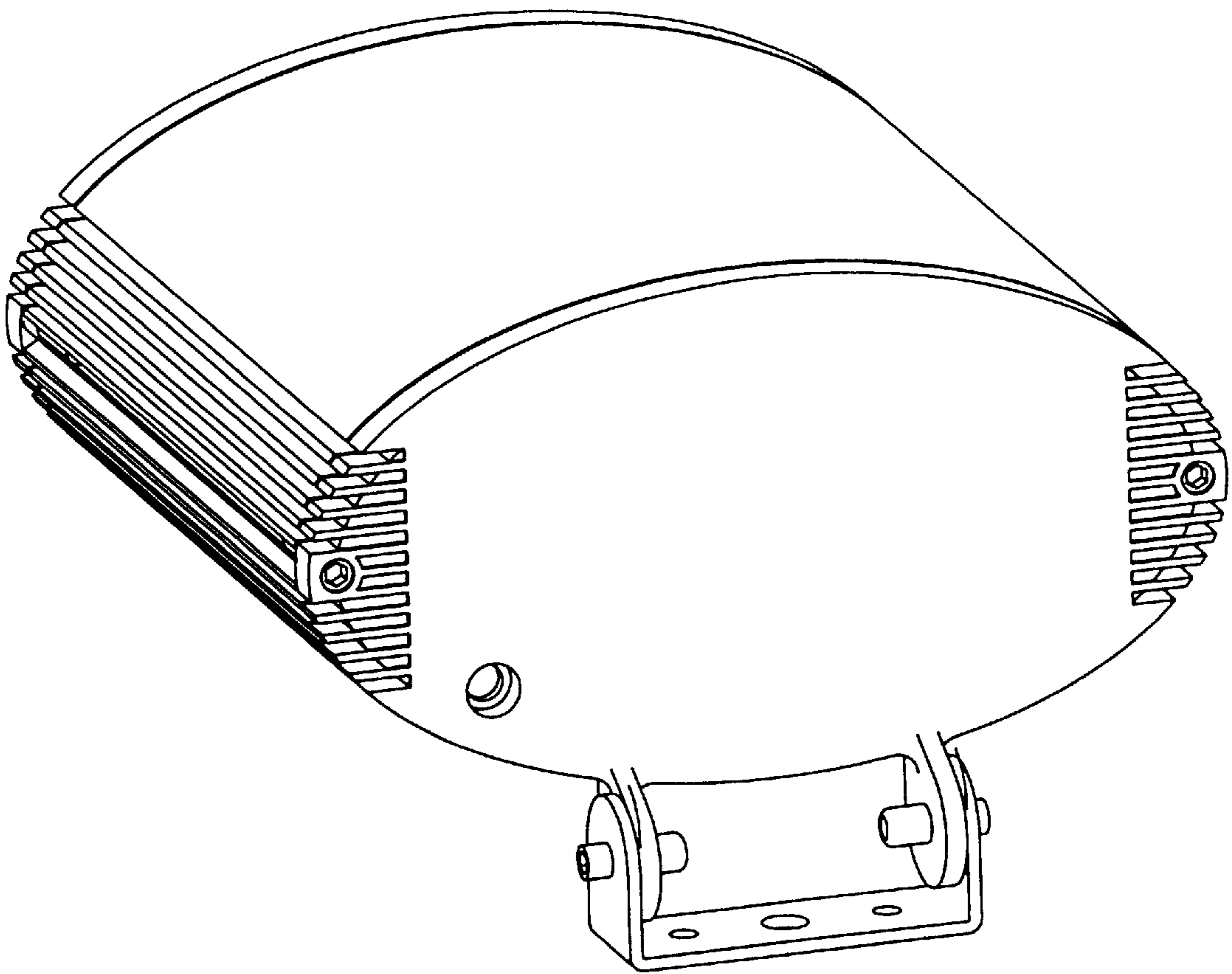


Fig. 1

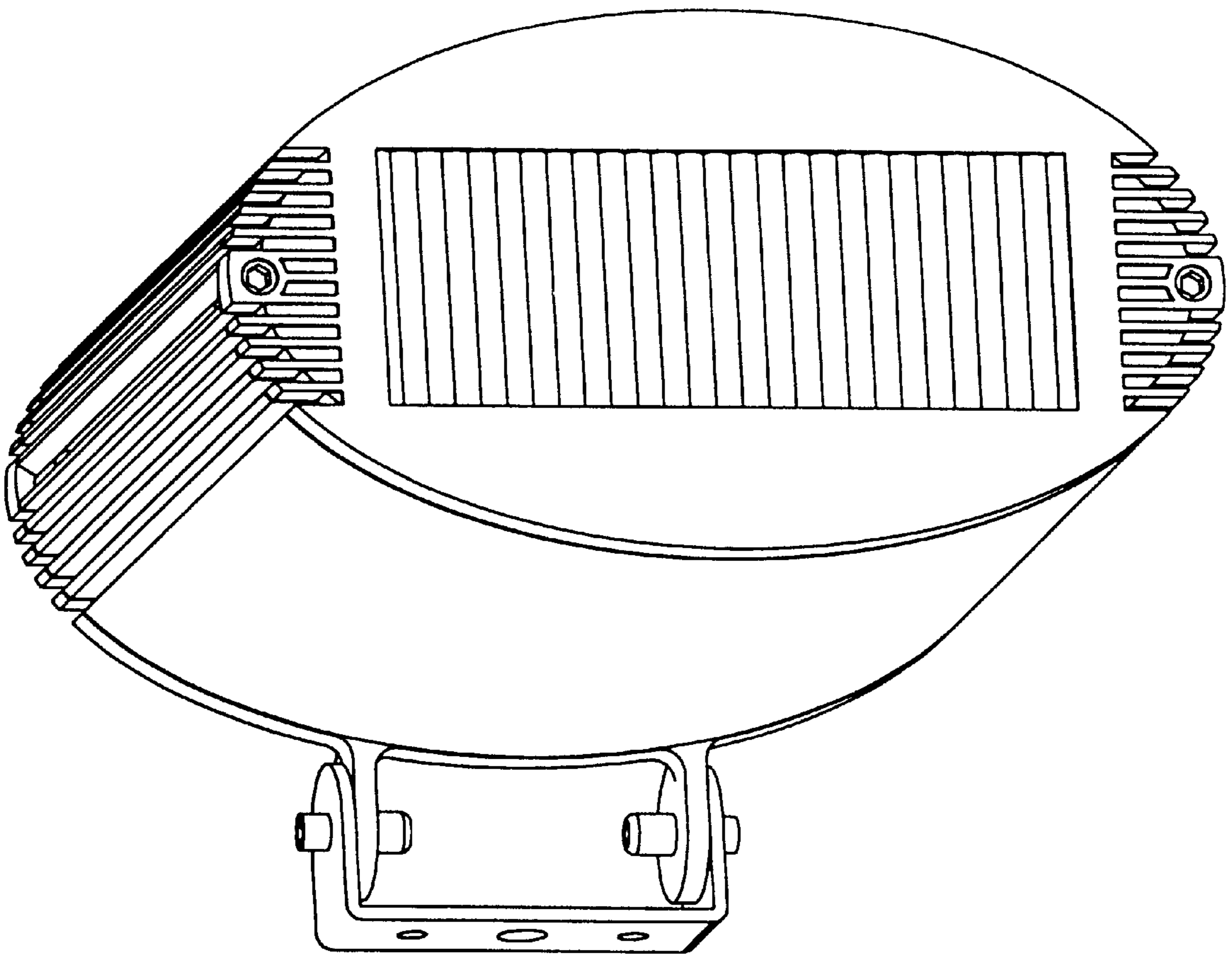


Fig. 2

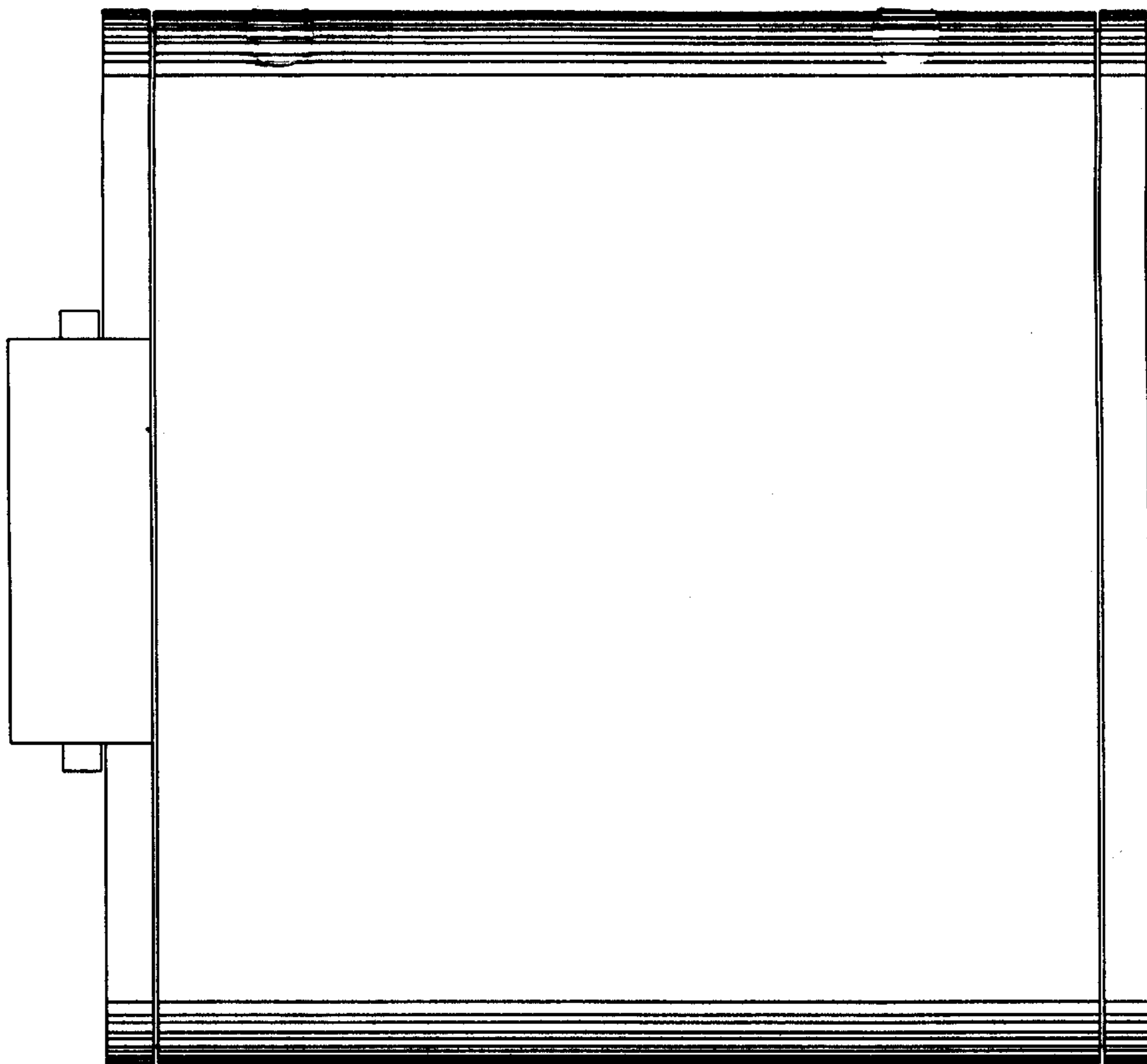


Fig. 3

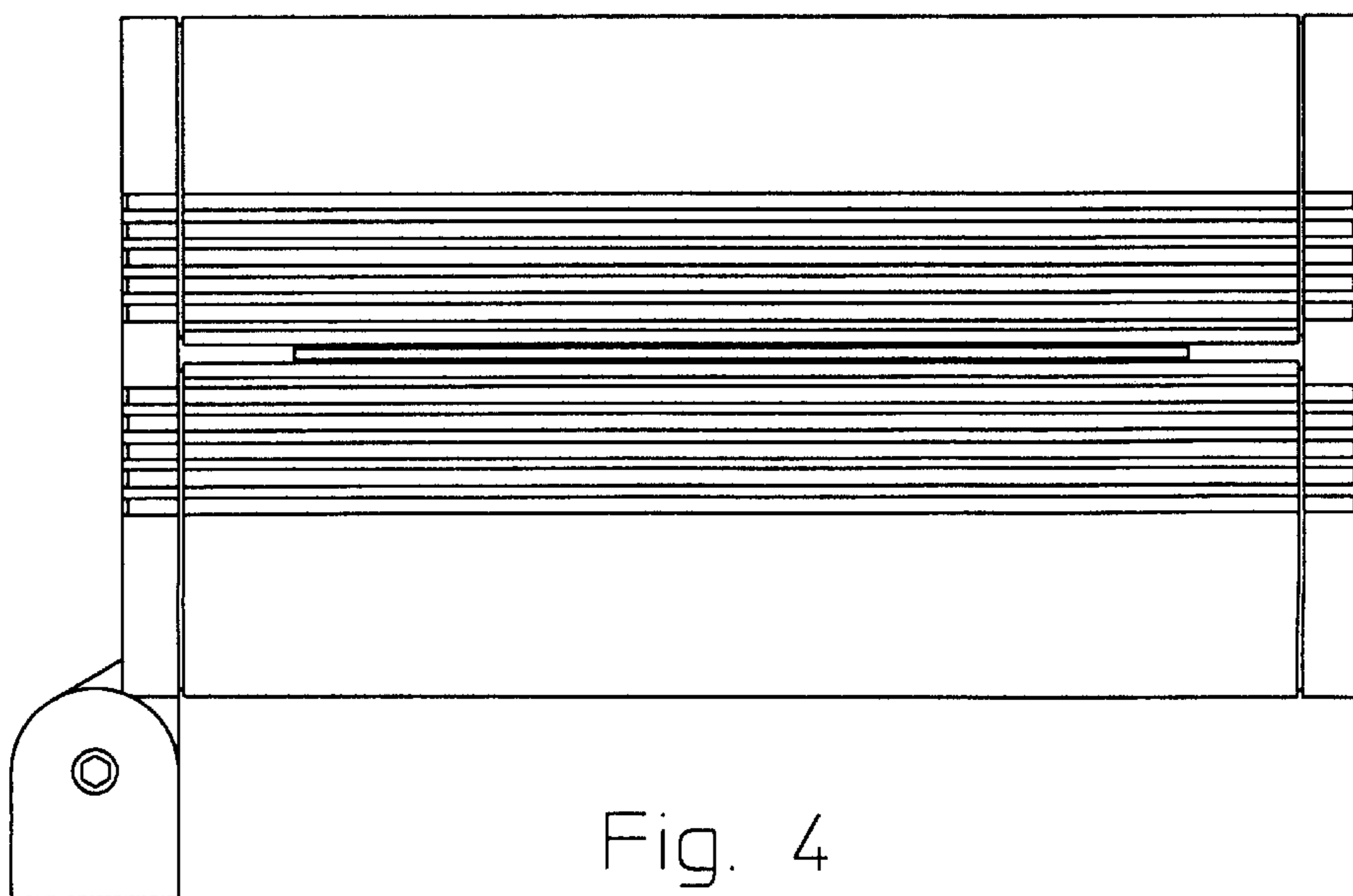


Fig. 4

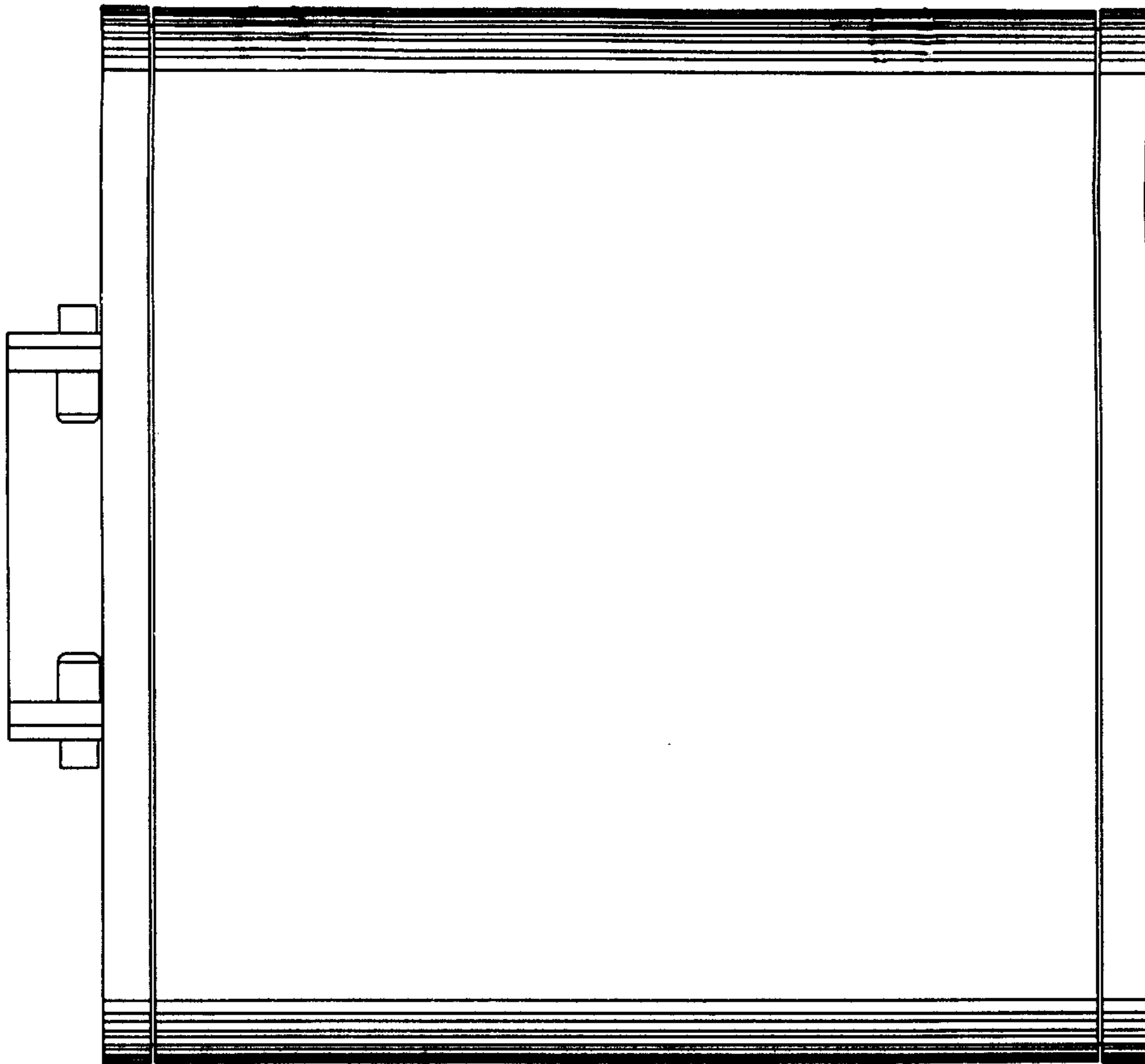


Fig. 5

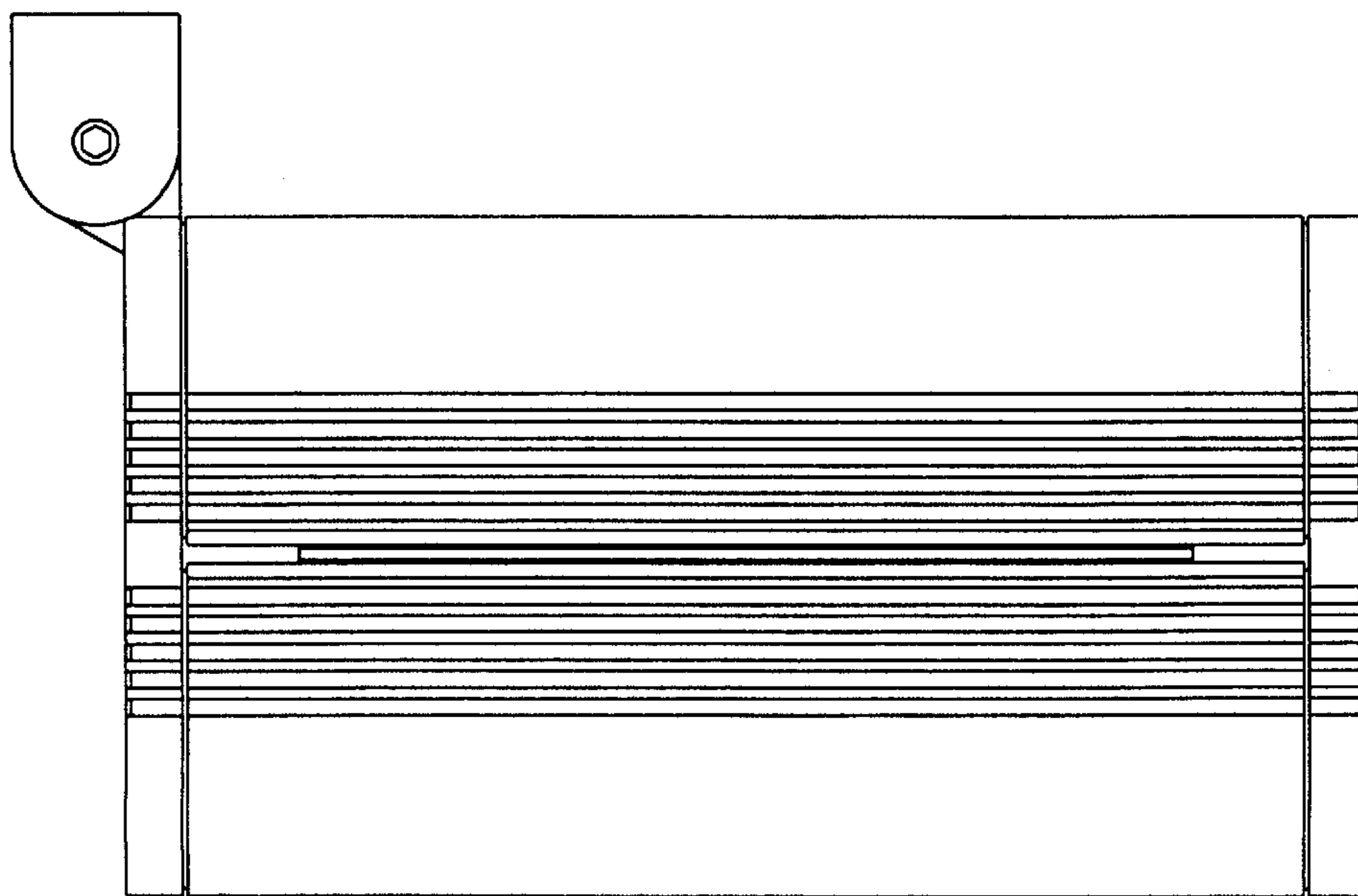


Fig. 6

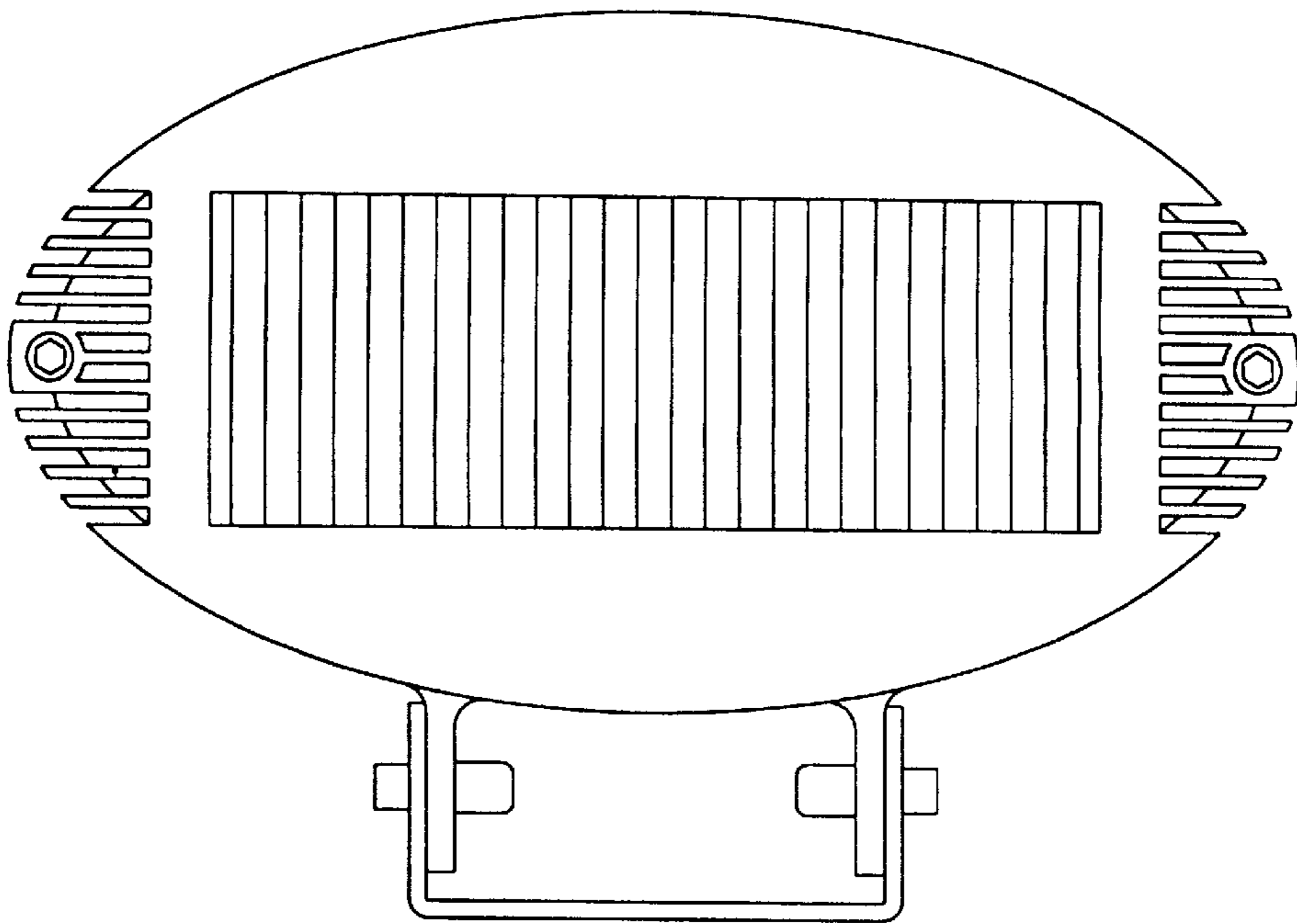


Fig. 7

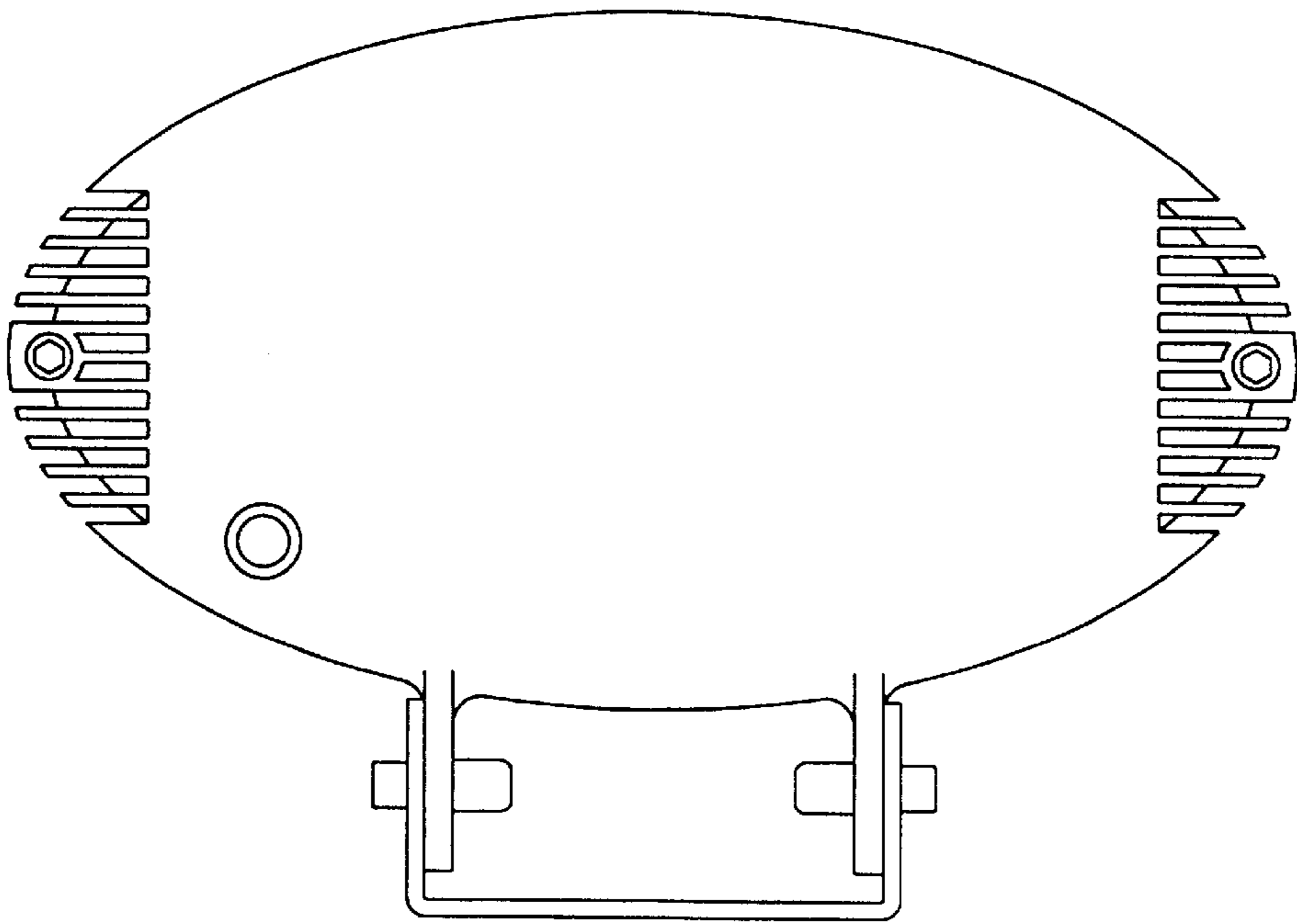


Fig. 8



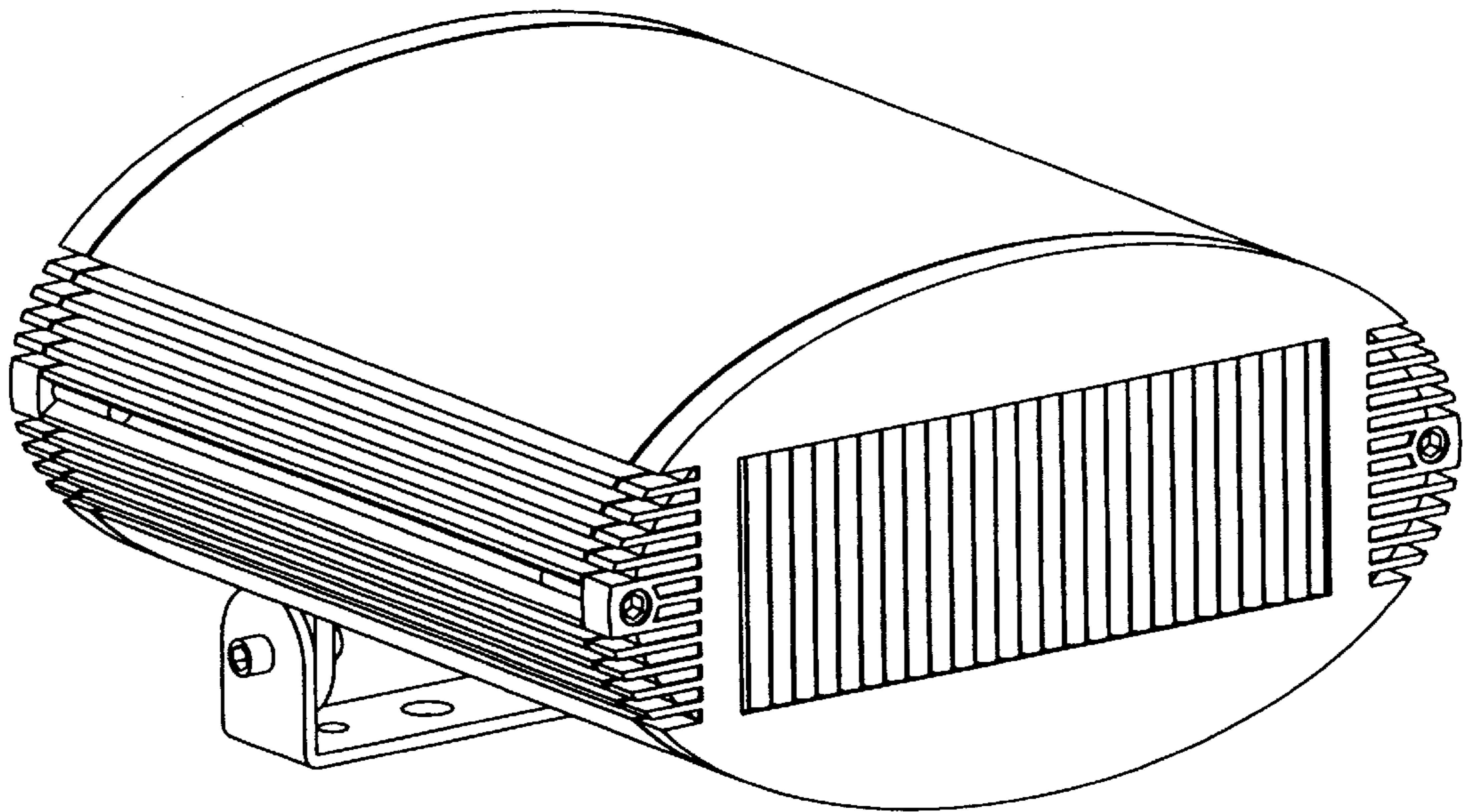


Fig. 9