



US00D456088S

(12) **United States Design Patent**
Nelson et al.

(10) **Patent No.:** **US D456,088 S**
(45) **Date of Patent:** **** Apr. 23, 2002**

(54) **TRANSITION MOLDING**

(76) Inventors: **Richard C. Nelson**, 312 Preakness La., Sneads Ferry, NC (US) 28460; **Roger C. Jones**, 151 Grace La., Richlands, NC (US) 28574

(**) Term: **14 Years**

(21) Appl. No.: **29/137,177**

(22) Filed: **Feb. 14, 2001**

(51) **LOC (7) Cl.** **25-01**

(52) **U.S. Cl.** **D25/136**

(58) **Field of Search** 52/287.1, 312, 52/717.01, 717.03; D25/136; 49/467-471

(56) **References Cited**

U.S. PATENT DOCUMENTS

3,077,012 A	*	2/1963	Speraw	52/287.1
D327,747 S	*	7/1992	Wildening	D25/136
D330,434 S	*	10/1992	Watters	D25/136
D373,203 S	*	8/1996	Kornfalt et al.	D25/136

* cited by examiner

Primary Examiner—Doris Clark

(74) *Attorney, Agent, or Firm*—MacCord Mason PLLC

(57) **CLAIM**

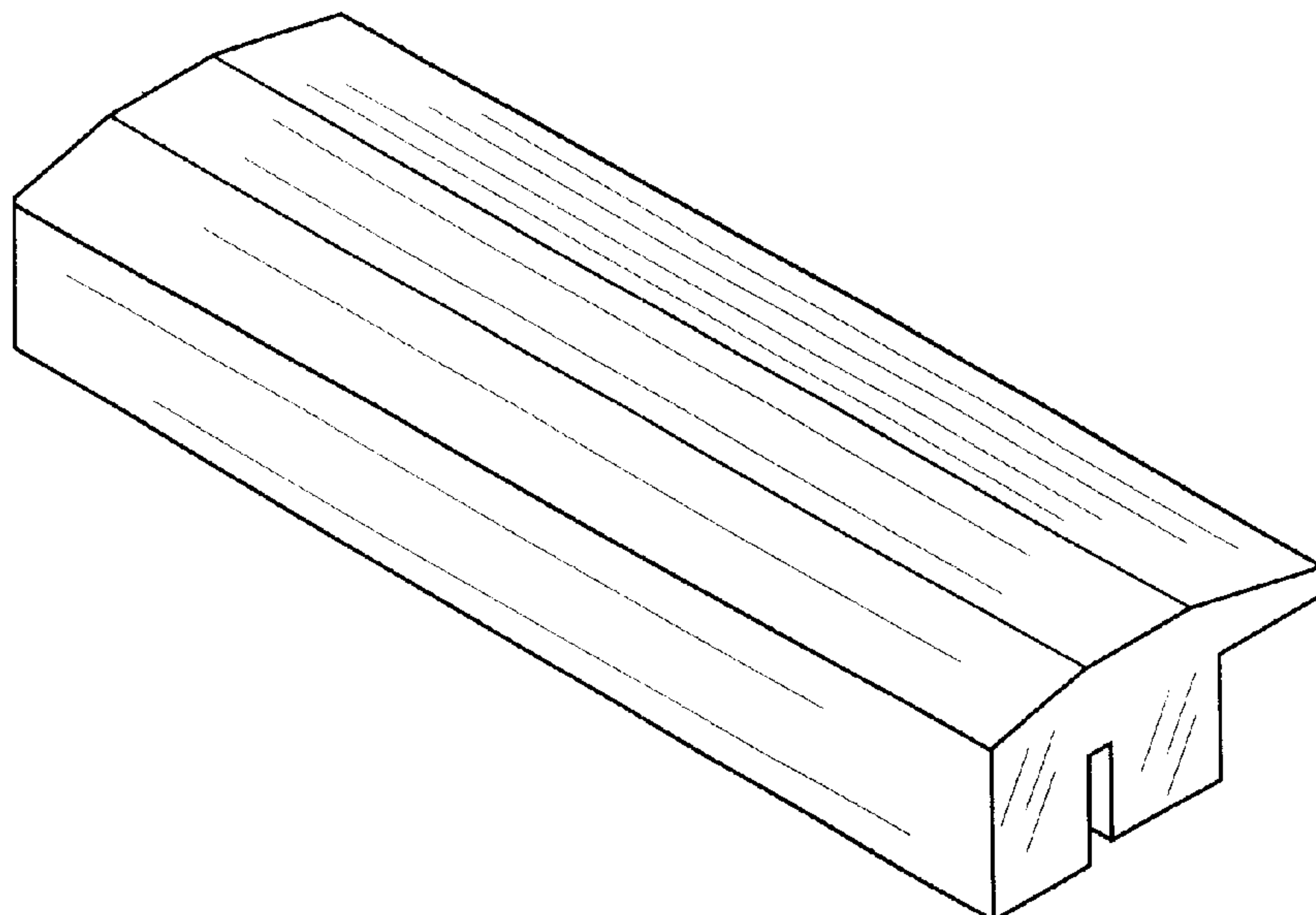
The ornamental design for transition molding, as shown and described.

DESCRIPTION

FIG. 1 is a perspective view of a first embodiment.
FIG. 2 is a top view of the embodiment shown in FIG. 1.
FIG. 3 is a front view of the embodiment shown in FIG. 1.
FIG. 4 is a rear view of the embodiment shown in FIG. 1.

FIG. 5 is a bottom view of the embodiment shown in FIG. 1.
FIG. 6 is a left end view of the embodiment shown in FIG. 1.
FIG. 7 is a right end view of the embodiment shown in FIG. 1.
FIG. 8 is a perspective view of a second embodiment.
FIG. 9 is a top view of the embodiment shown in FIG. 8.
FIG. 10 is a front view of the embodiment shown in FIG. 8.
FIG. 11 is a rear view of the embodiment shown in FIG. 8.
FIG. 12 is a bottom view of the embodiment shown in FIG. 8.
FIG. 13 is a left end view of the embodiment shown in FIG. 8.
FIG. 14 is a right end view of the embodiment shown in FIG. 8.
FIG. 15 is a perspective view of a third embodiment.
FIG. 16 is a top view of the embodiment shown in FIG. 15.
FIG. 17 is a front view of the embodiment shown in FIG. 15.
FIG. 18 is a rear view of the embodiment shown in FIG. 15.
FIG. 19 is a bottom view of the embodiment shown in FIG. 15.
FIG. 20 is a left end view of the embodiment shown in FIG. 15.
FIG. 21 is a right end view of the embodiment shown in FIG. 15.
FIG. 22 is a perspective view of a fourth embodiment.
FIG. 23 is a top view of the embodiment shown in FIG. 22.
FIG. 24 is a front view of the embodiment shown in FIG. 22.
FIG. 25 is a rear view of the embodiment shown in FIG. 22.
FIG. 26 is a bottom view of the embodiment shown in FIG. 22.
FIG. 27 is a left end view of the embodiment shown in FIG. 22; and,
FIG. 28 is a right end view of the embodiment shown in FIG. 22.

1 Claim, 4 Drawing Sheets



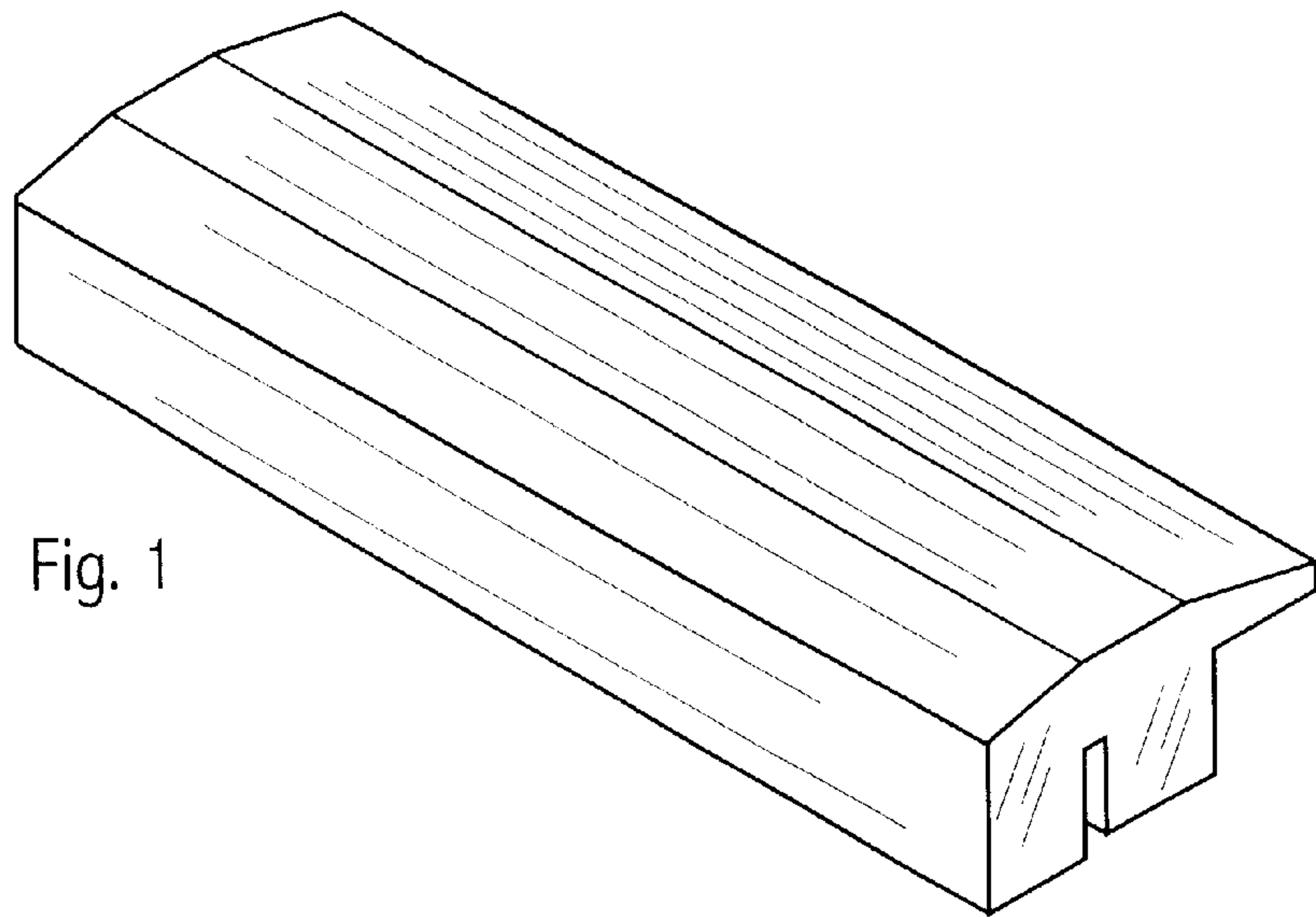


Fig. 1

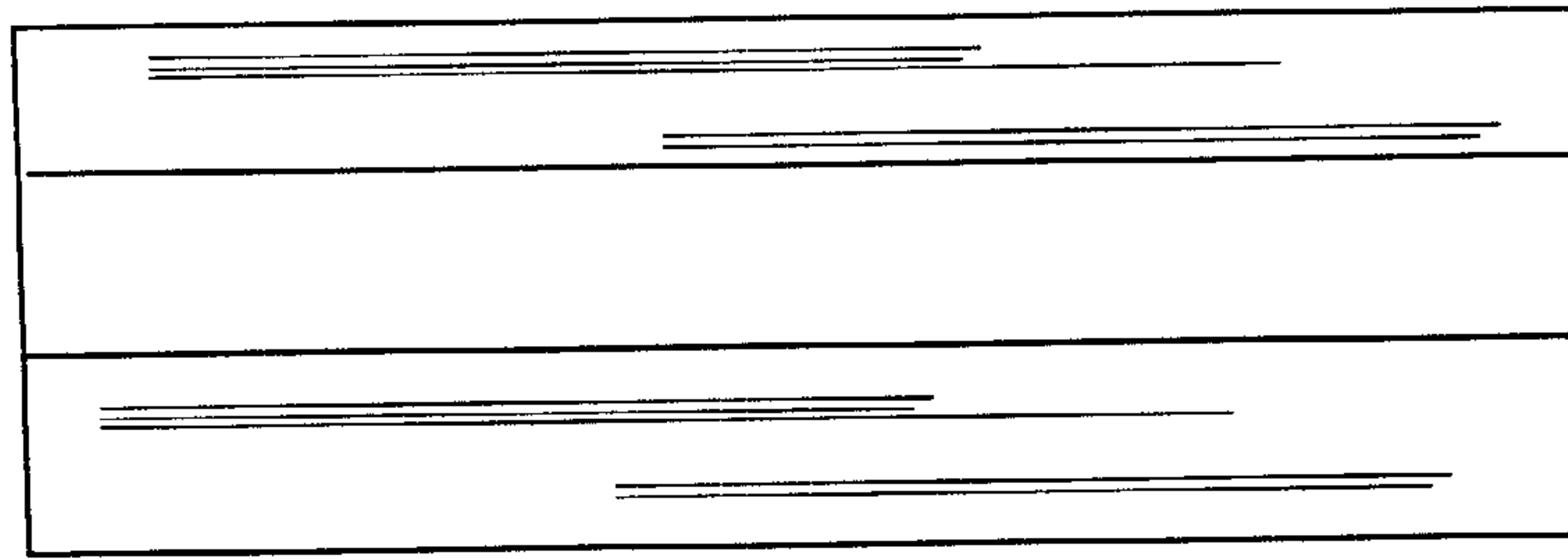


Fig. 2

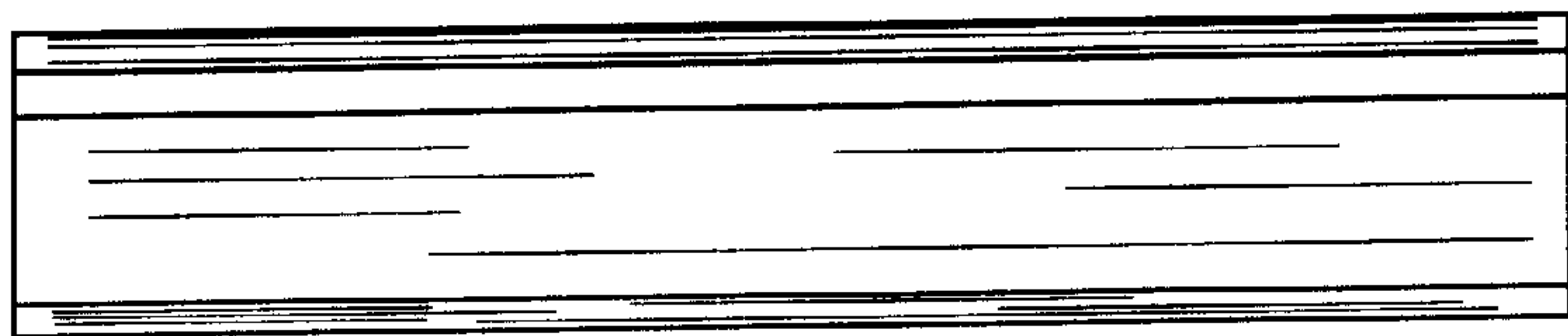


Fig. 3

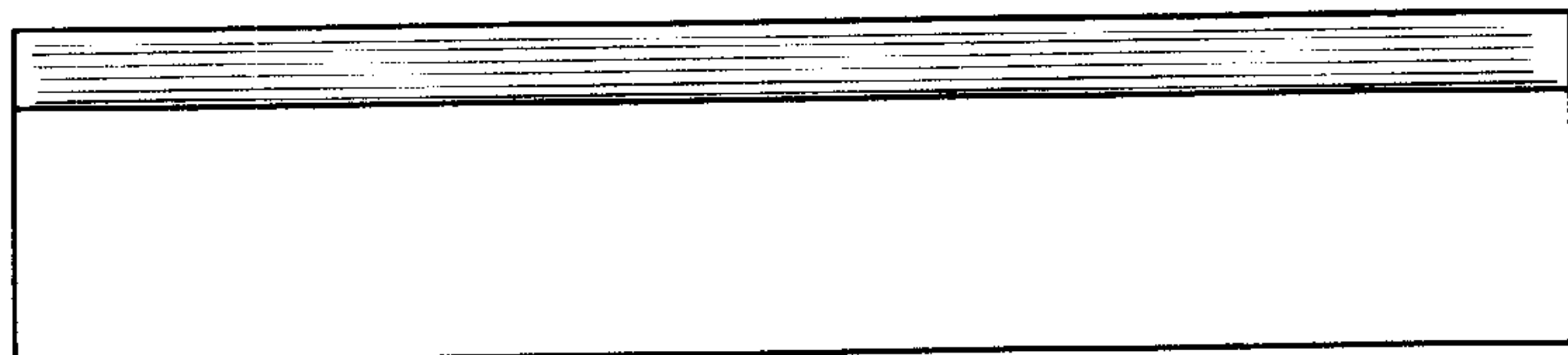


Fig. 4

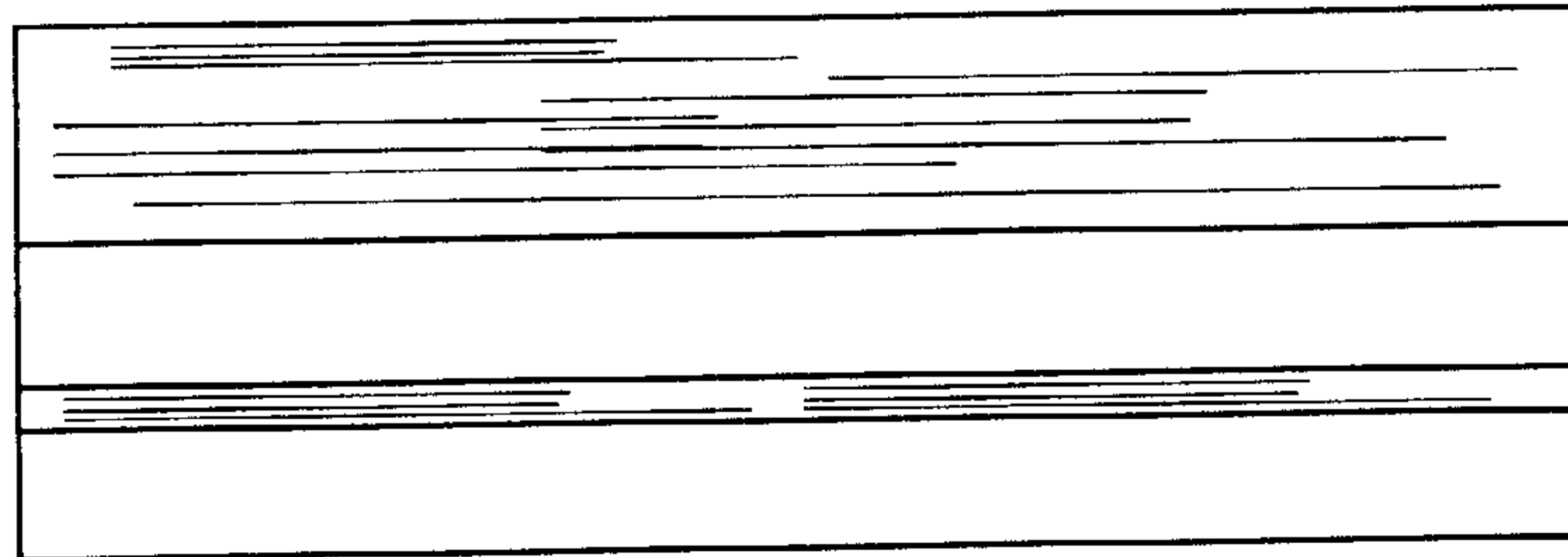


Fig. 5

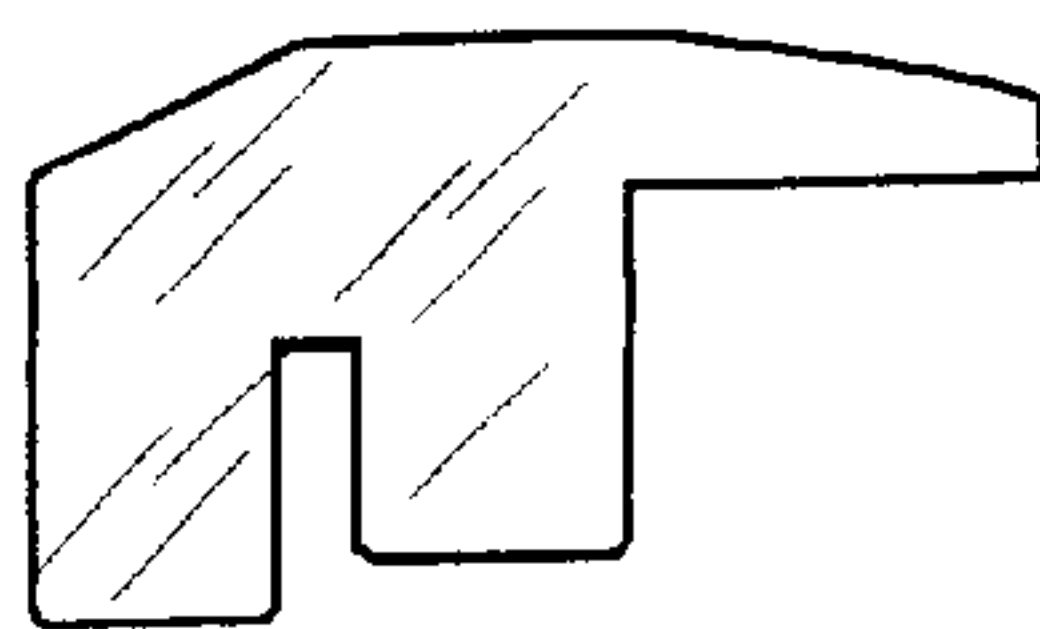


Fig. 6

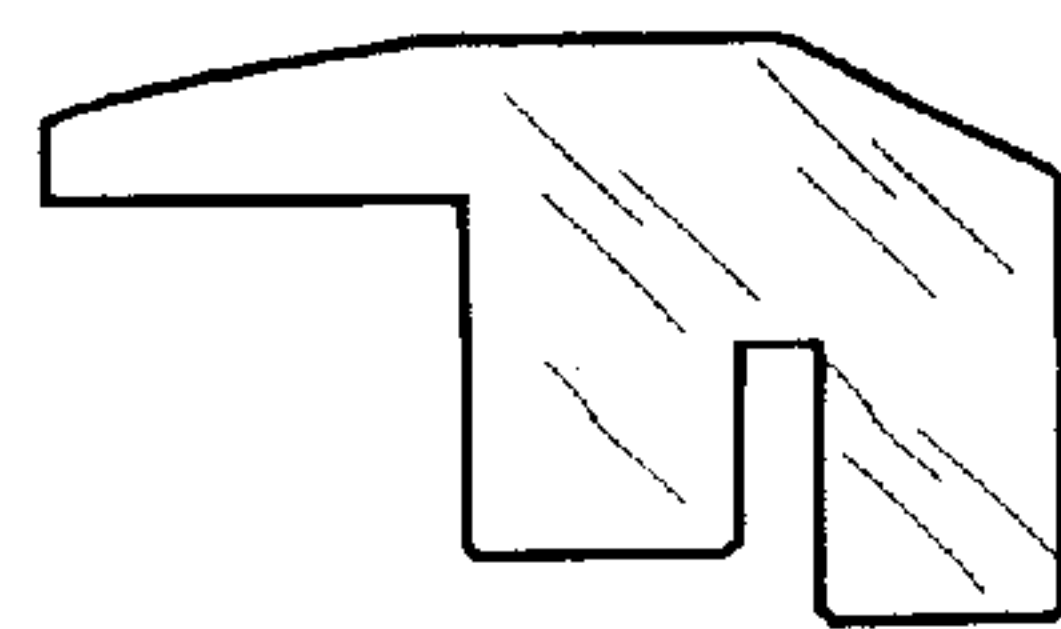


Fig. 7

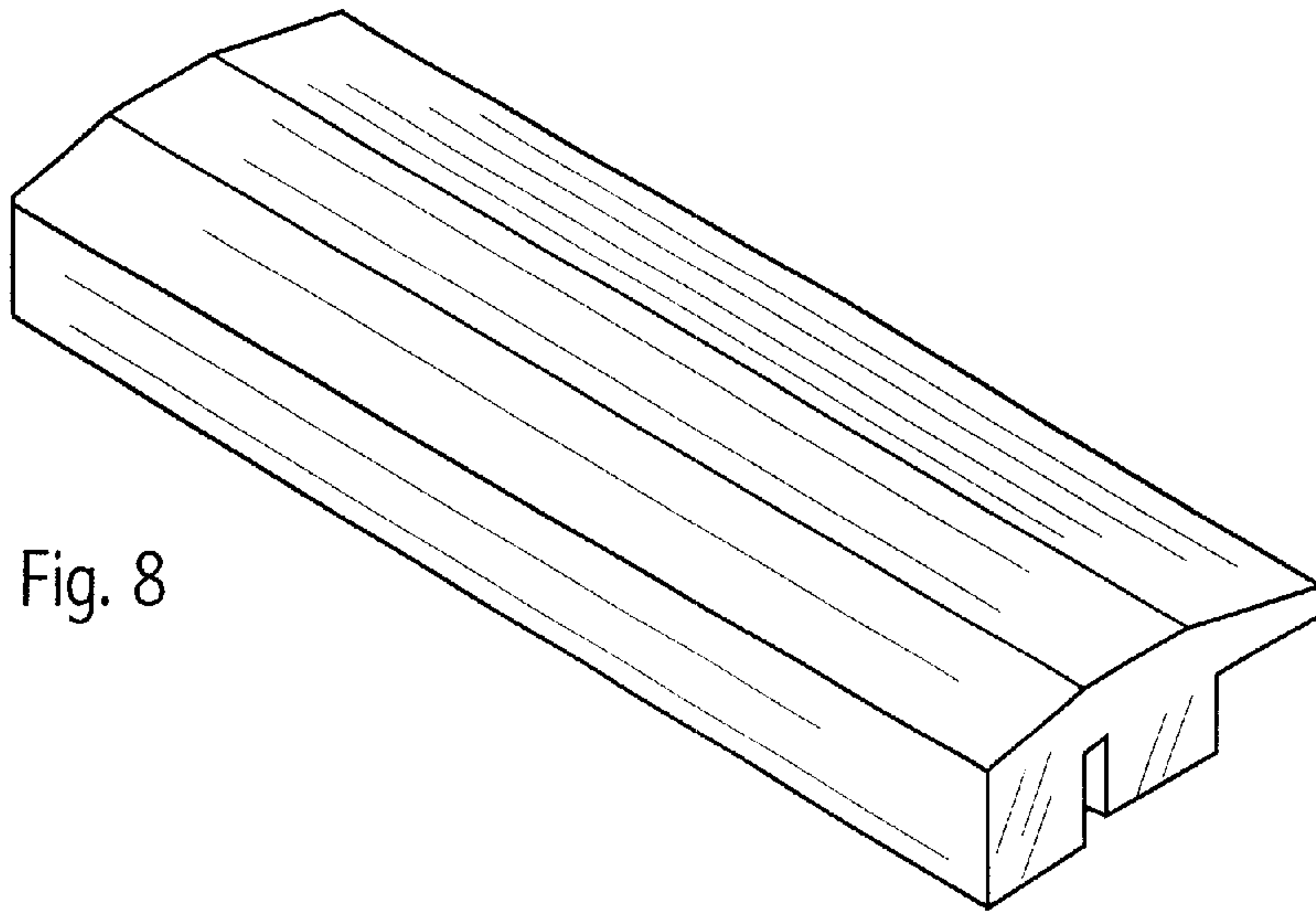


Fig. 8

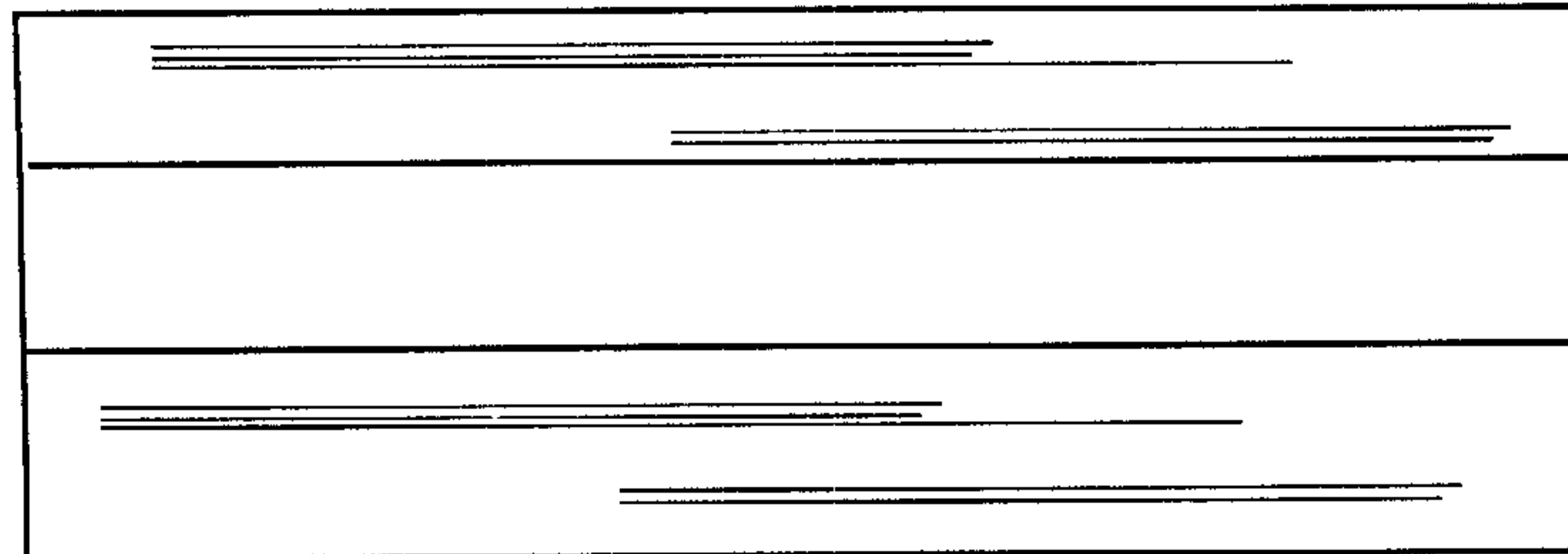


Fig. 9

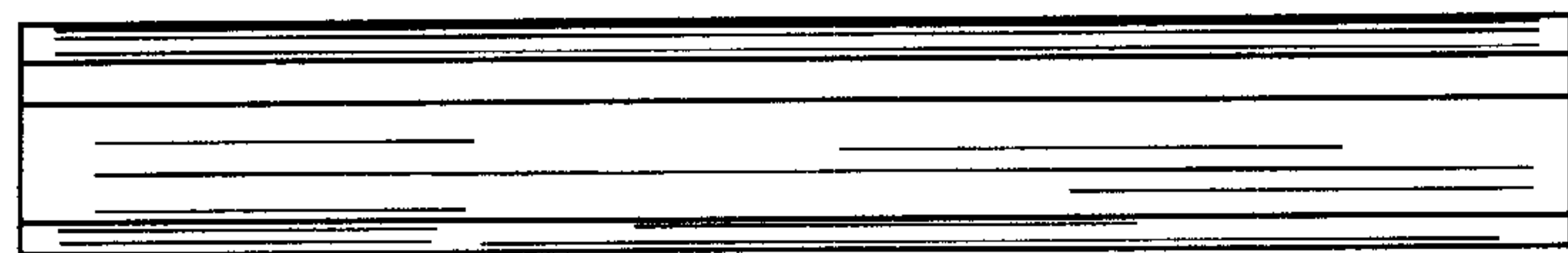


Fig. 10

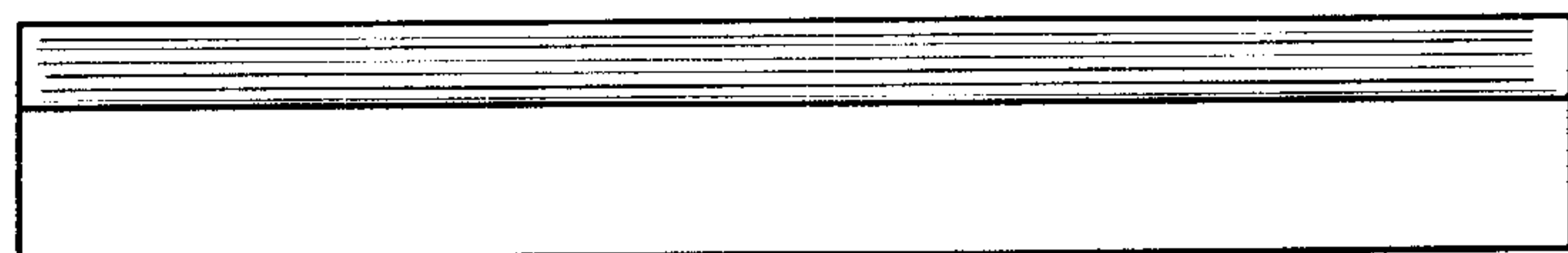


Fig. 11

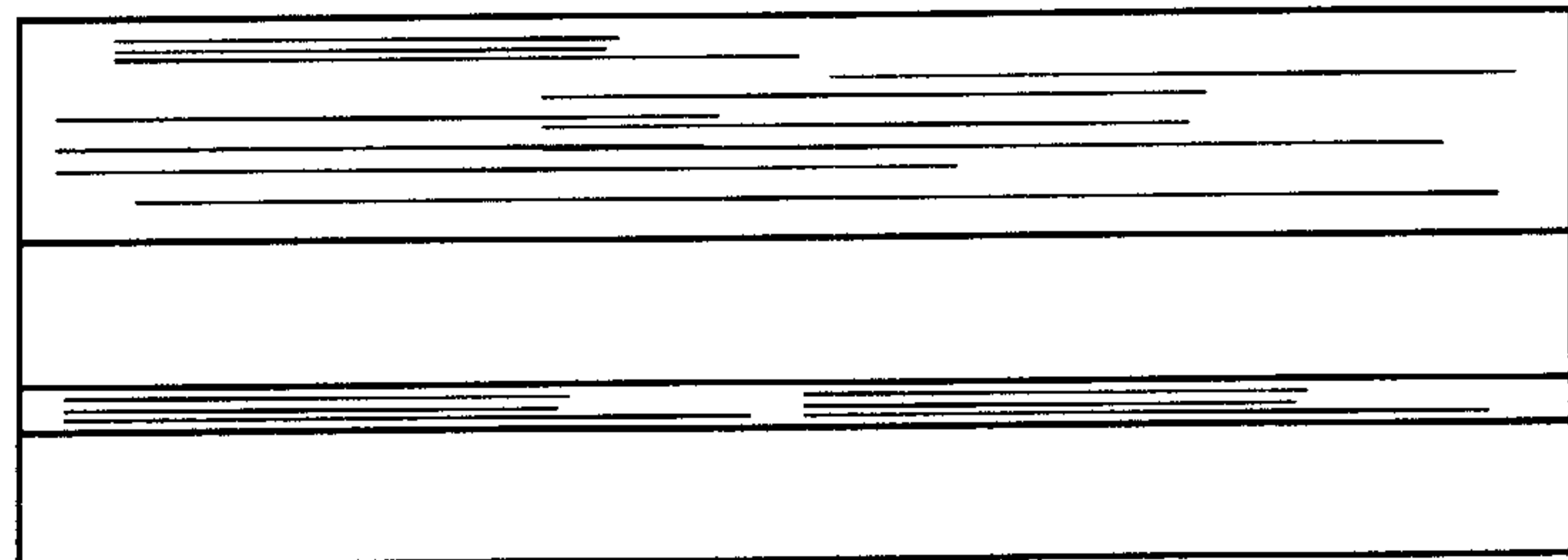


Fig. 12

Fig. 13

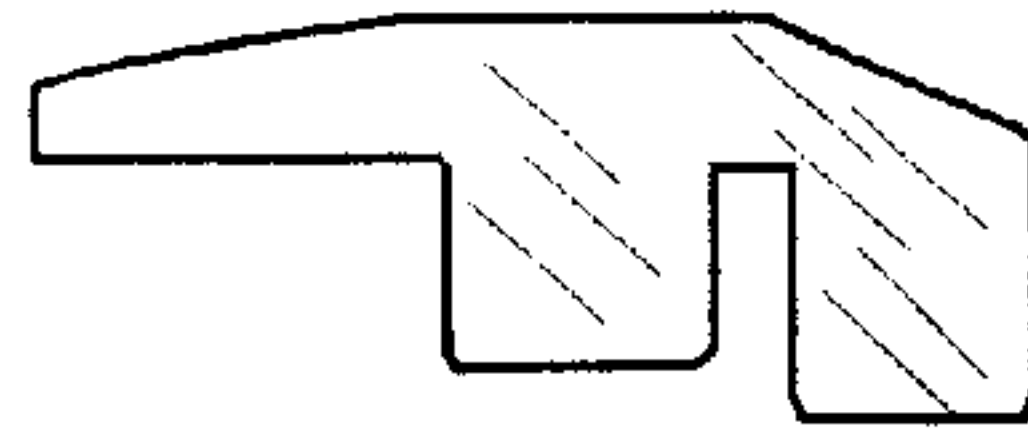
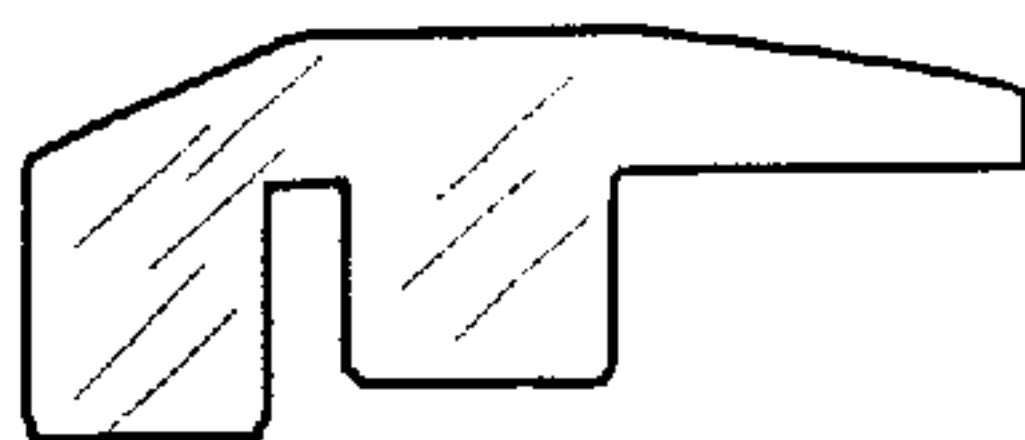


Fig. 14

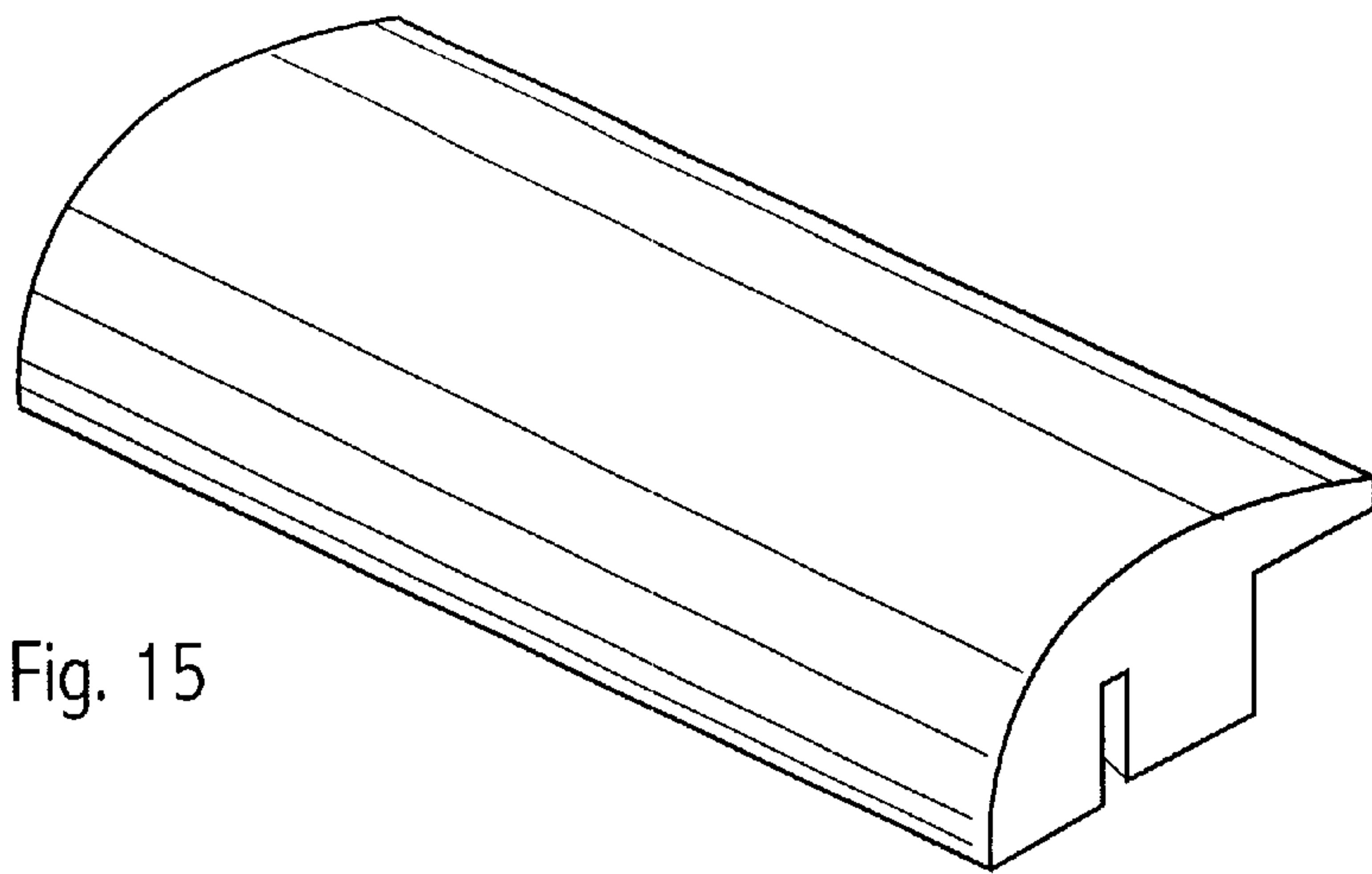


Fig. 15

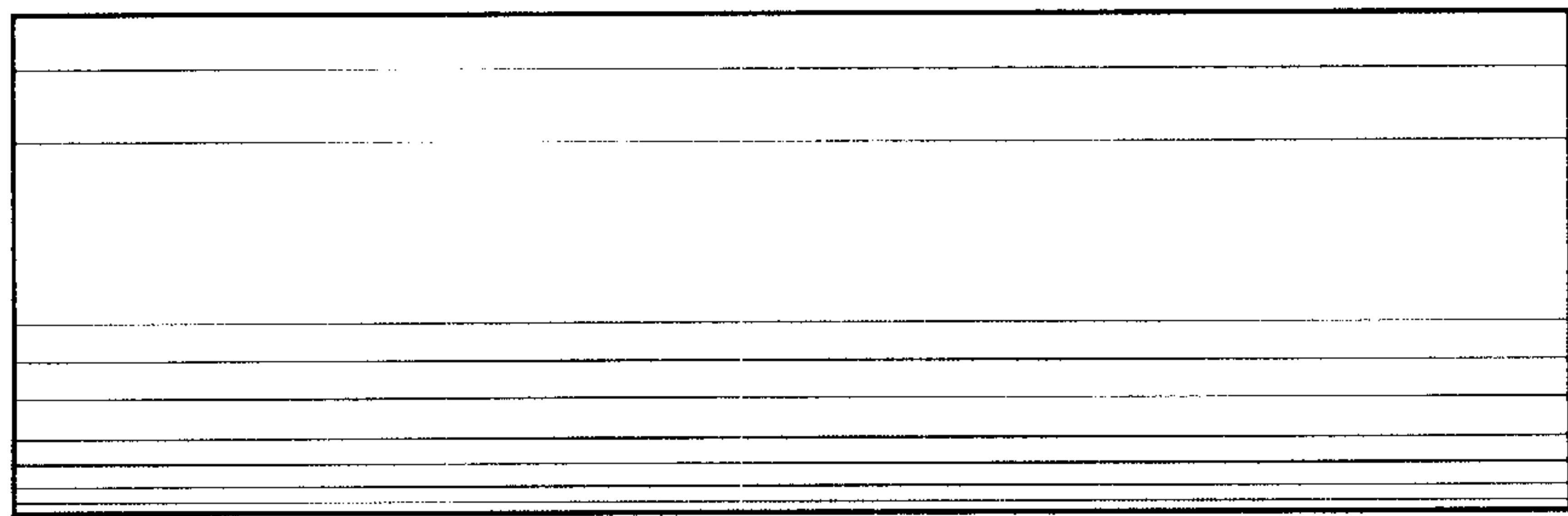


Fig. 16

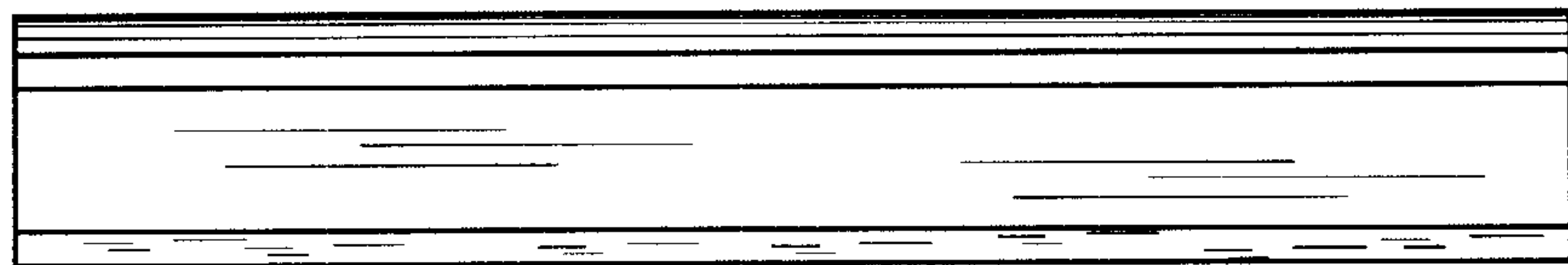


Fig. 17

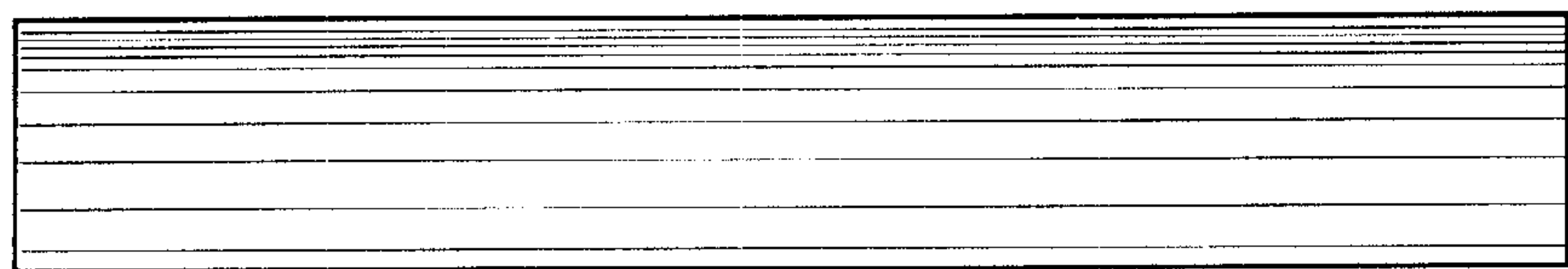


Fig. 18

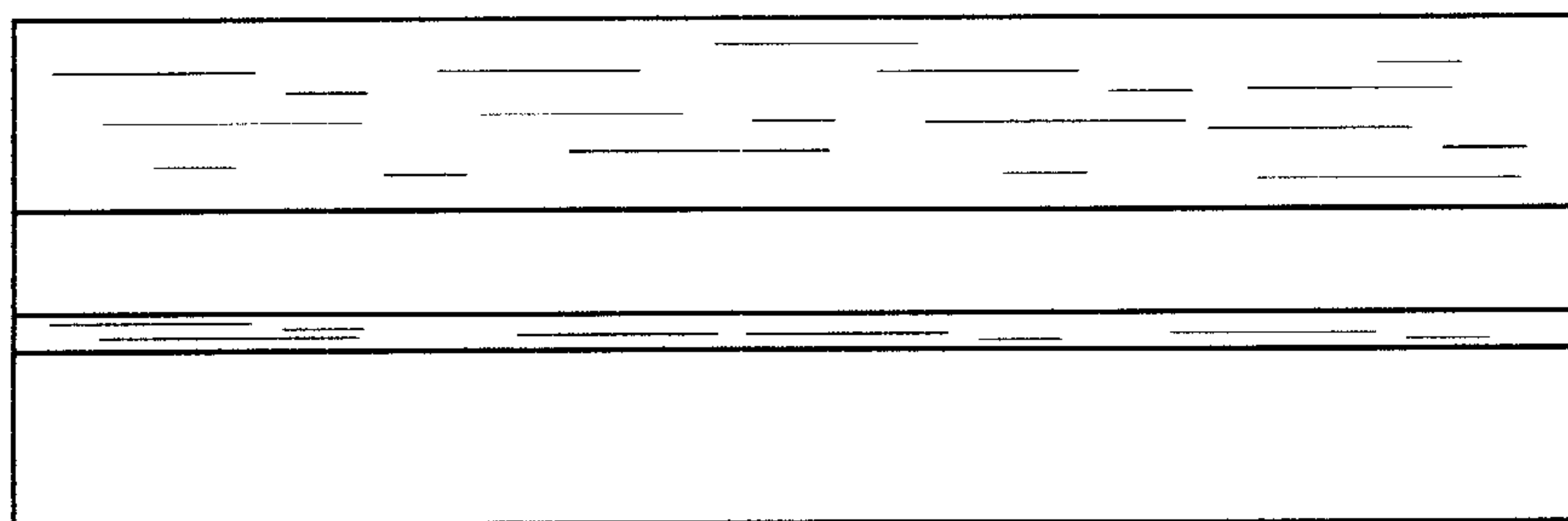


Fig. 19

Fig. 20

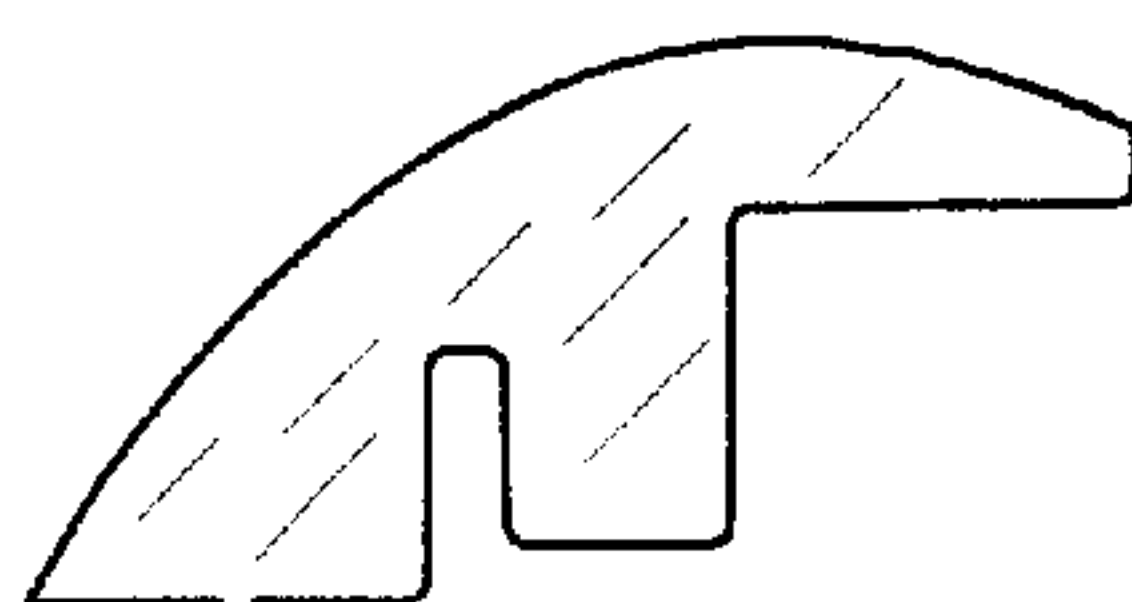
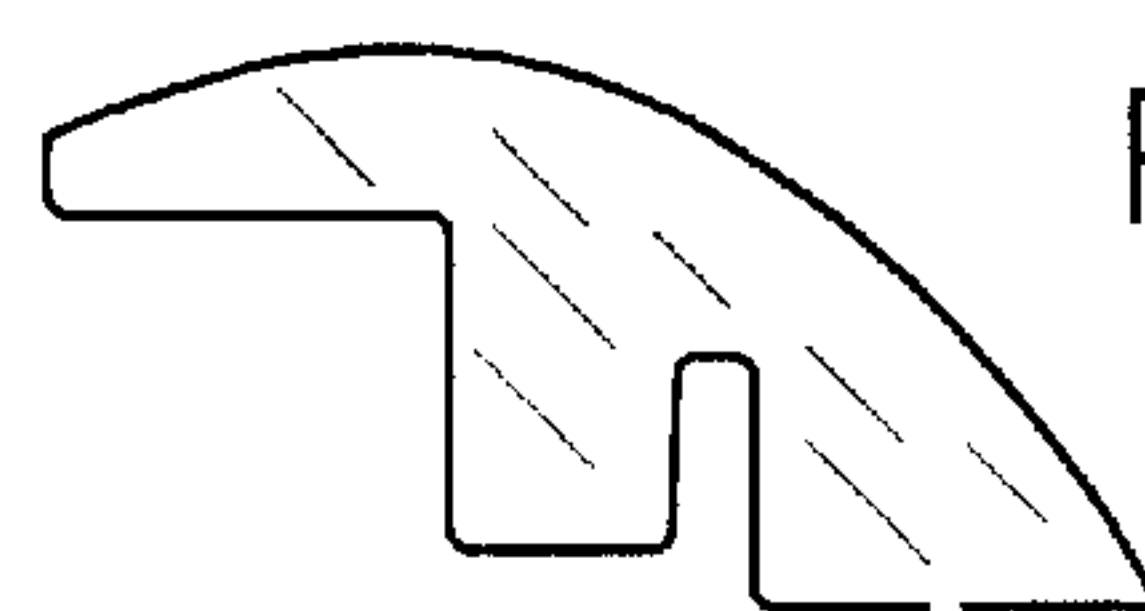


Fig. 21



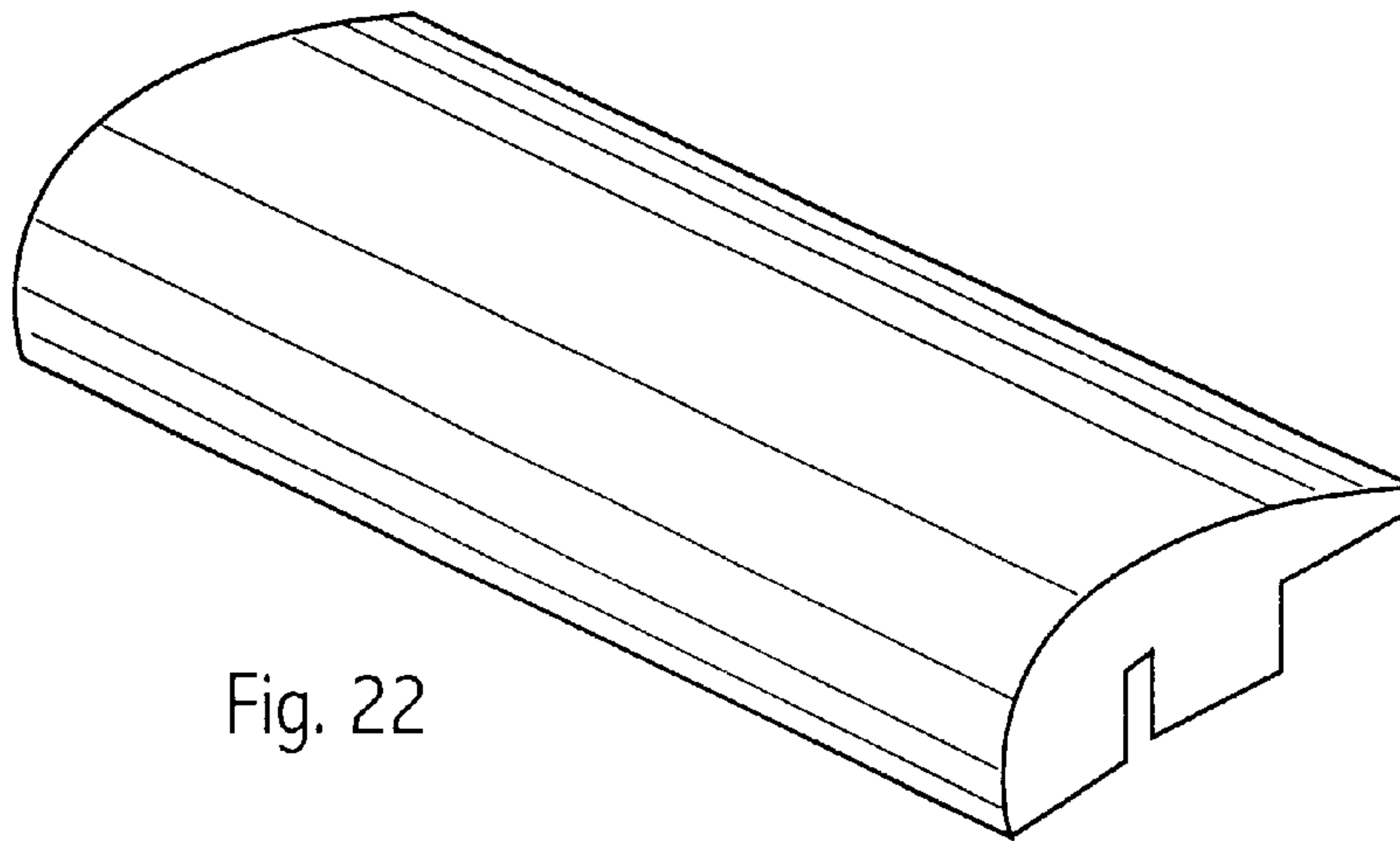


Fig. 22

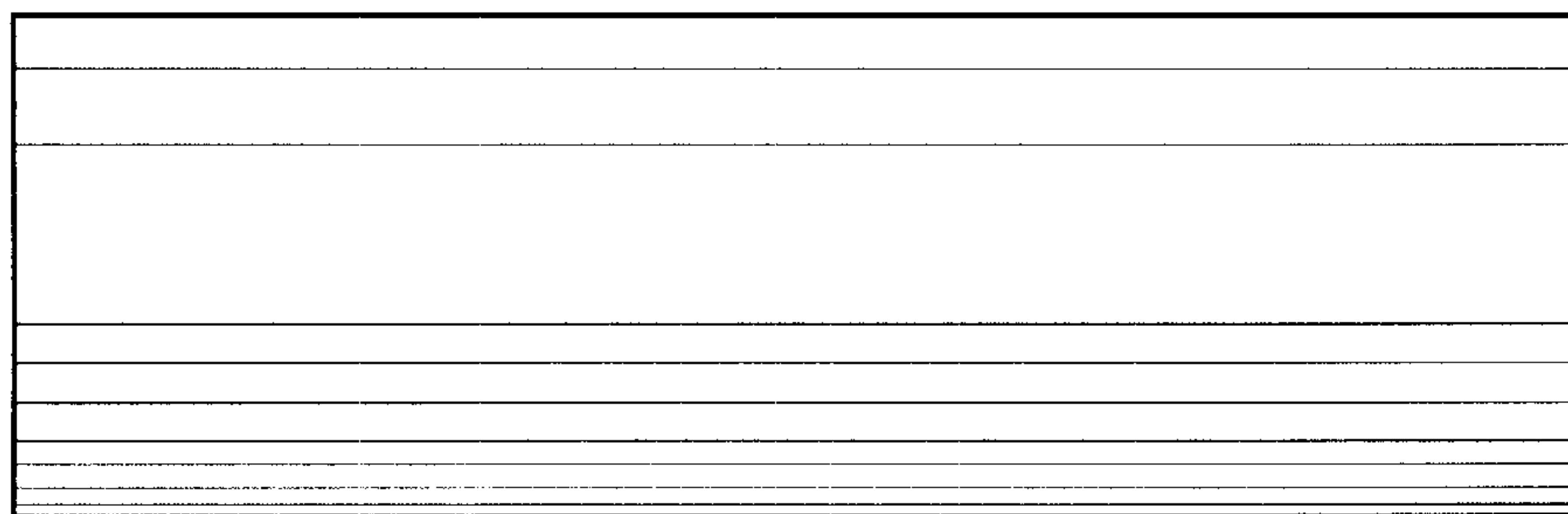


Fig. 23

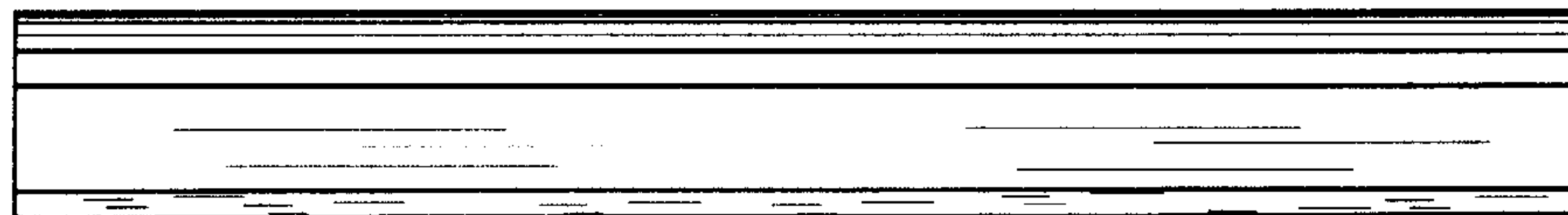


Fig. 24

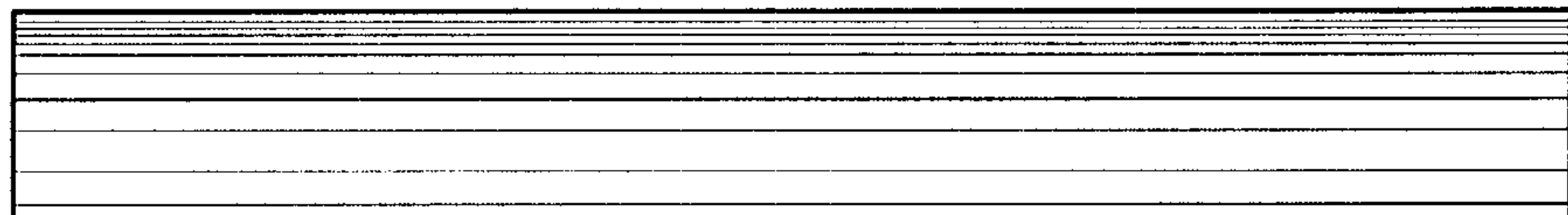


Fig. 25

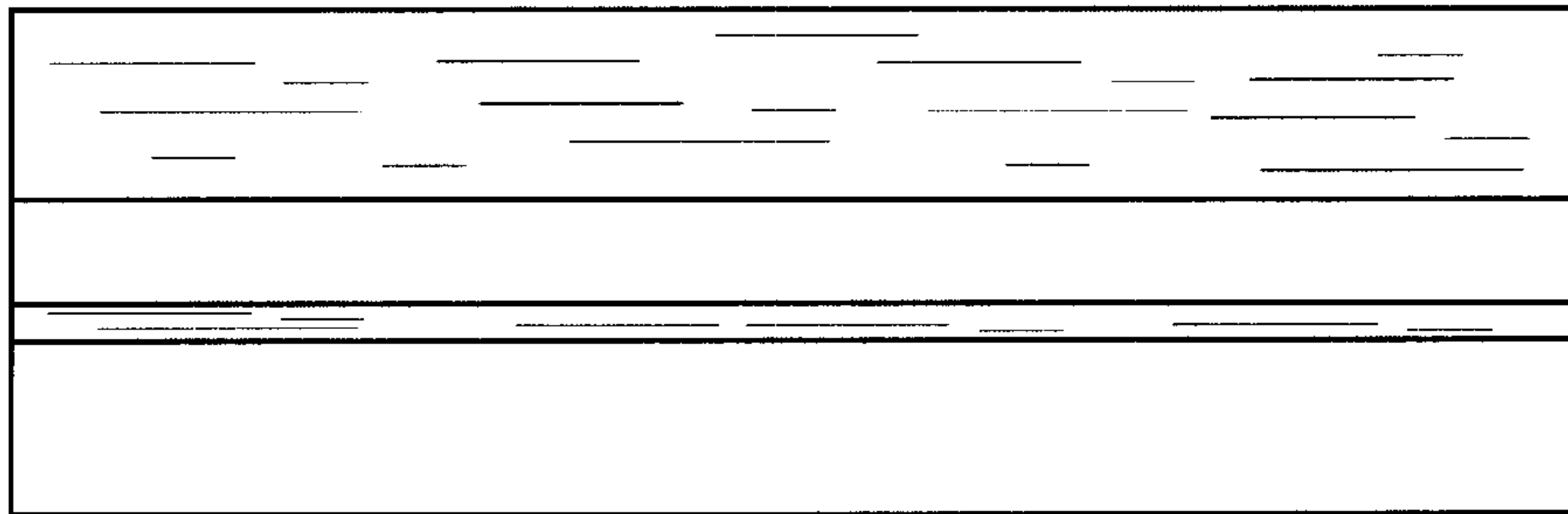


Fig. 26

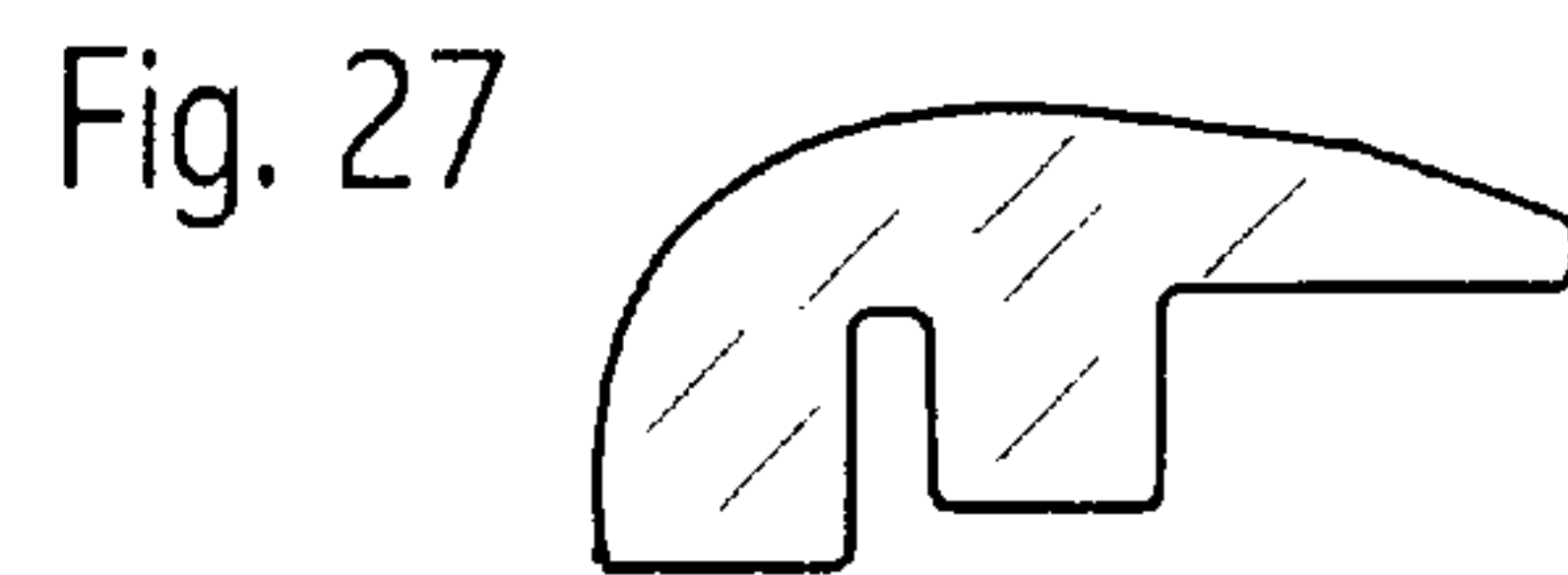


Fig. 27

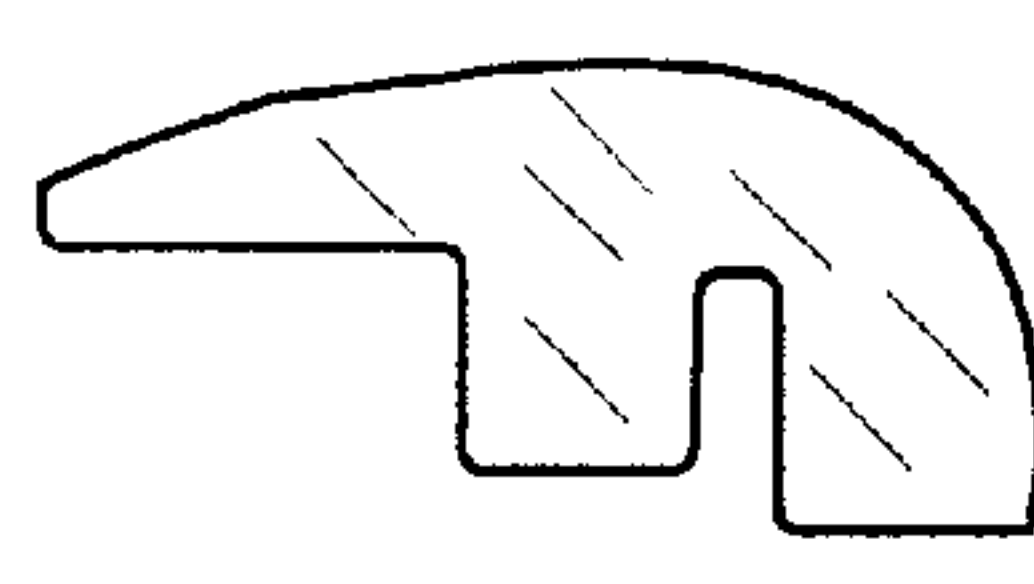


Fig. 28