



US00D456087S

(12) **United States Design Patent**
Merrick

(10) **Patent No.:** **US D456,087 S**

(45) **Date of Patent:** **** Apr. 23, 2002**

- (54) **FENCE POST FINIAL SKIRT**
- (75) **Inventor:** **Richard James Merrick, Alda, NE (US)**
- (73) **Assignee:** **T.M.C., Inc., Alda, NE (US)**
- (**) **Term:** **14 Years**
- (21) **Appl. No.:** **29/116,401**
- (22) **Filed:** **Jan. 3, 2000**
- (51) **LOC (7) Cl.** **25-01**
- (52) **U.S. Cl.** **D25/135**
- (58) **Field of Search** **D25/135, 38; 256/65, 256/66; 52/300, 301**

- 5,415,380 A 5/1995 Sharp
- 5,421,556 A 6/1995 Dodge et al.
- 5,529,289 A 6/1996 Lancer, Sr.
- 5,531,427 A 7/1996 Quarles
- 5,577,710 A 11/1996 Kirby
- 5,601,278 A 2/1997 Graber
- 5,601,279 A 2/1997 Schwartz et al.
- 5,651,534 A 7/1997 Yoder
- D382,984 S * 8/1997 Junell D25/135
- 5,660,376 A 8/1997 West
- 5,702,090 A 12/1997 Edgman
- 5,709,057 A * 1/1998 Johnson, Jr. et al. 52/301
- D391,377 S 2/1998 Langlie et al.
- D399,263 S 10/1998 Christopher
- 5,853,167 A 12/1998 West
- 5,857,664 A 1/1999 Schauman
- 5,931,450 A 8/1999 Yoder
- 5,938,184 A 8/1999 DeSouza

(56) **References Cited**

U.S. PATENT DOCUMENTS

- D186,379 S * 10/1959 Ross D25/135
- 3,648,981 A 3/1972 Allen
- 3,720,401 A 3/1973 Loch
- 3,799,506 A 3/1974 Schwartz
- 3,806,095 A 4/1974 Ford
- 3,891,189 A 6/1975 Russo
- D239,038 S * 3/1976 Hirst D25/135
- D239,452 S * 4/1976 Russo D25/135
- 3,957,250 A 5/1976 Murphy
- 3,960,367 A 6/1976 Rogers
- 4,103,875 A 8/1978 Glass
- 4,240,615 A 12/1980 Sickler
- 4,324,388 A 4/1982 Klaser
- 4,364,546 A 12/1982 Lyman et al.
- D269,209 S 5/1983 Hegarty
- 4,602,765 A 7/1986 Loper
- 4,667,935 A 5/1987 Moore
- 4,722,514 A 2/1988 Pettit
- 4,809,955 A 3/1989 Veilleux
- 4,883,256 A 11/1989 Hebda
- 4,926,785 A 5/1990 Lamson
- 4,991,823 A 2/1991 Stanish, Jr.
- 5,078,367 A 1/1992 Simpson et al.
- 5,149,060 A 9/1992 Boes
- 5,150,885 A 9/1992 Leone
- 5,192,054 A 3/1993 Sharp
- D340,404 S 10/1993 Prezner
- 5,301,926 A 4/1994 Sharp
- D348,526 S 7/1994 Nowotny
- 5,332,196 A 7/1994 Wright

OTHER PUBLICATIONS

- Invention Disclosure Form for Pressure Fit System for Fence Post Tops, James Tommy Lee & Richard James Merrick, Dec. 17, 1999.
- Invention Disclosure Form for Standard Deluxe Stackable Fence Post Top, Richard James Merrick, Dec. 17, 1999.
- E-Mail from Richard James Merrick to Ria Farrell Schalnat, advertisement from Fencepost dated Jan./Feb. 2000, p. 22.
- Invention Disclosure for Designs, Dec. 17, 1999.
- Letter from Matt Kasap to Ria Farrell Schalnat, Nov. 17, 1999.

* cited by examiner

Primary Examiner—Doris Clark

(74) *Attorney, Agent, or Firm*—Frost Brown Todd LLC

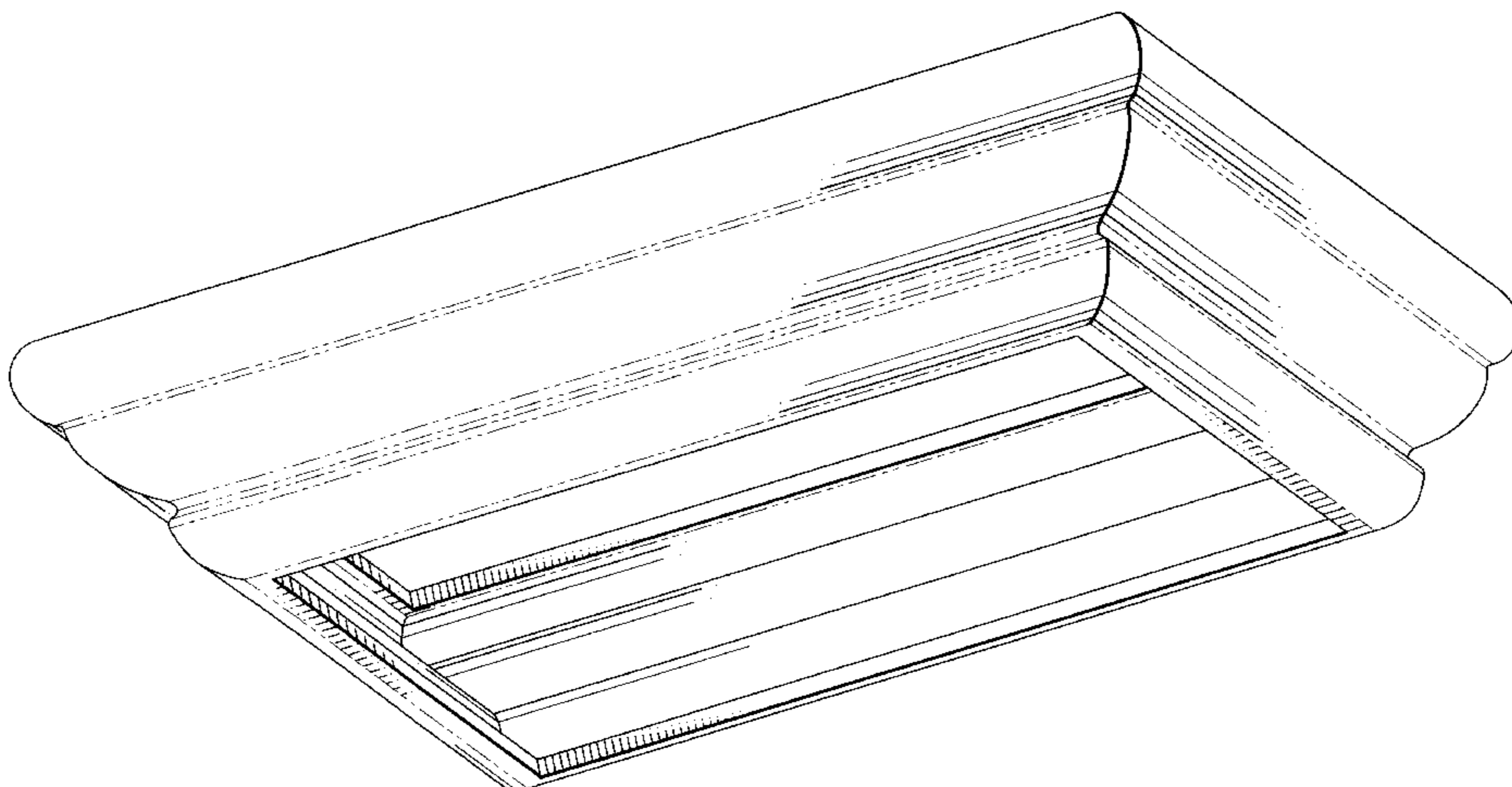
(57) **CLAIM**

The ornamental design for a fence post finial skirt, as shown and described.

DESCRIPTION

- FIG. 1 is a front perspective view showing the fence post finial skirt of the present invention.
- FIG. 2 is a top plan view showing the fence post finial skirt of the present invention.
- FIG. 3 is a bottom plan view thereof; and,
- FIG. 4 is a side elevational view thereof.

1 Claim, 3 Drawing Sheets



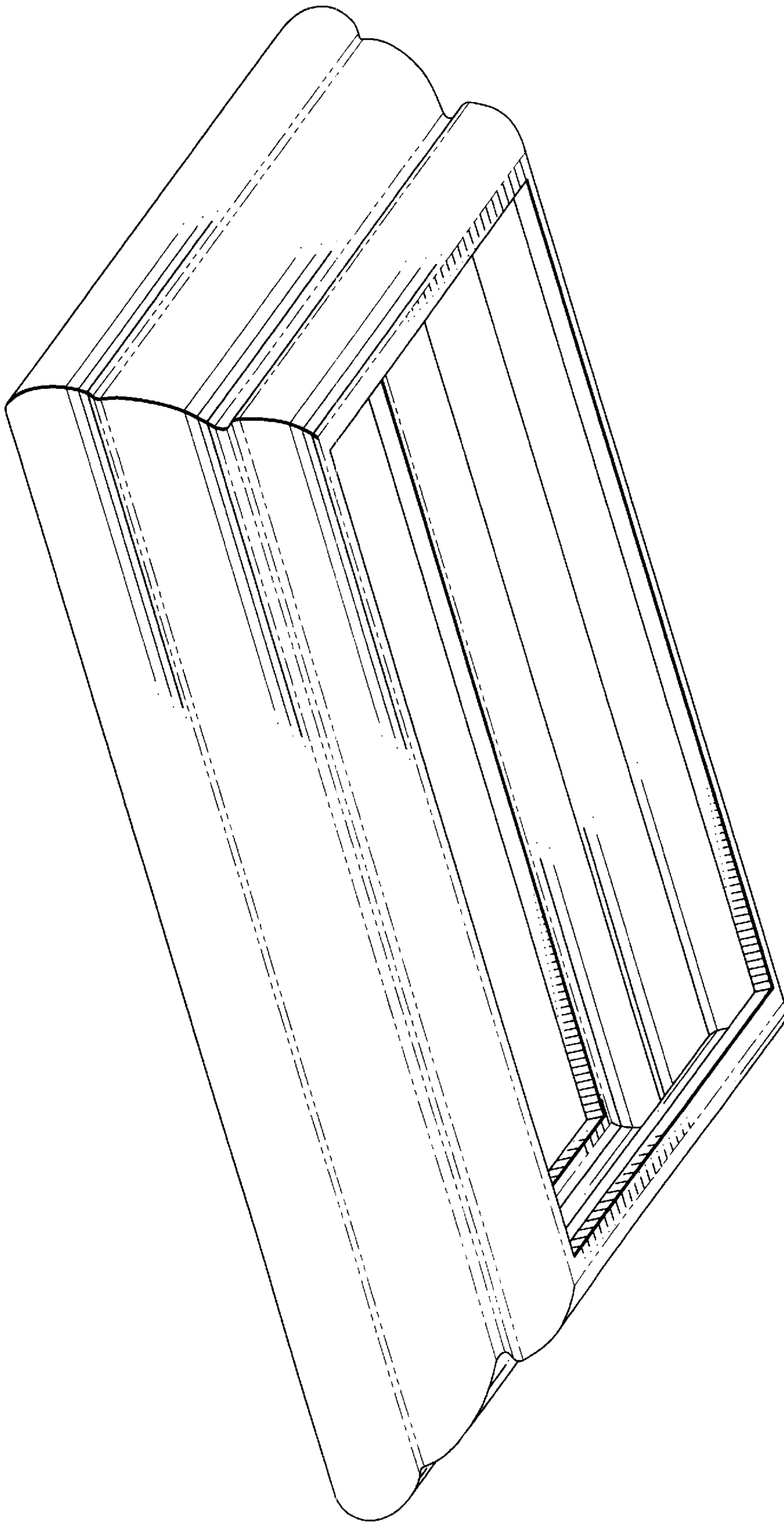


FIG. 1

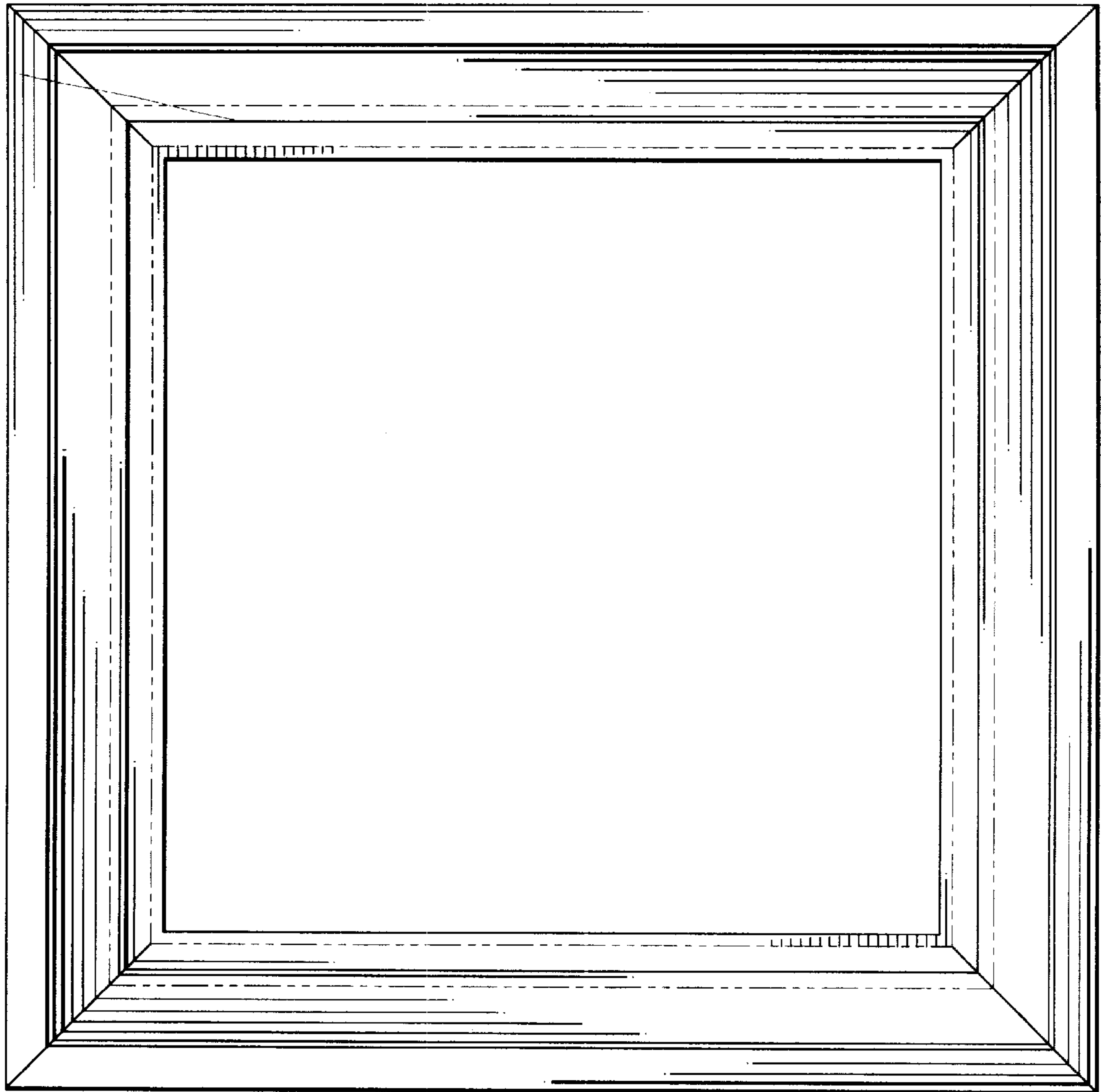


FIG. 2

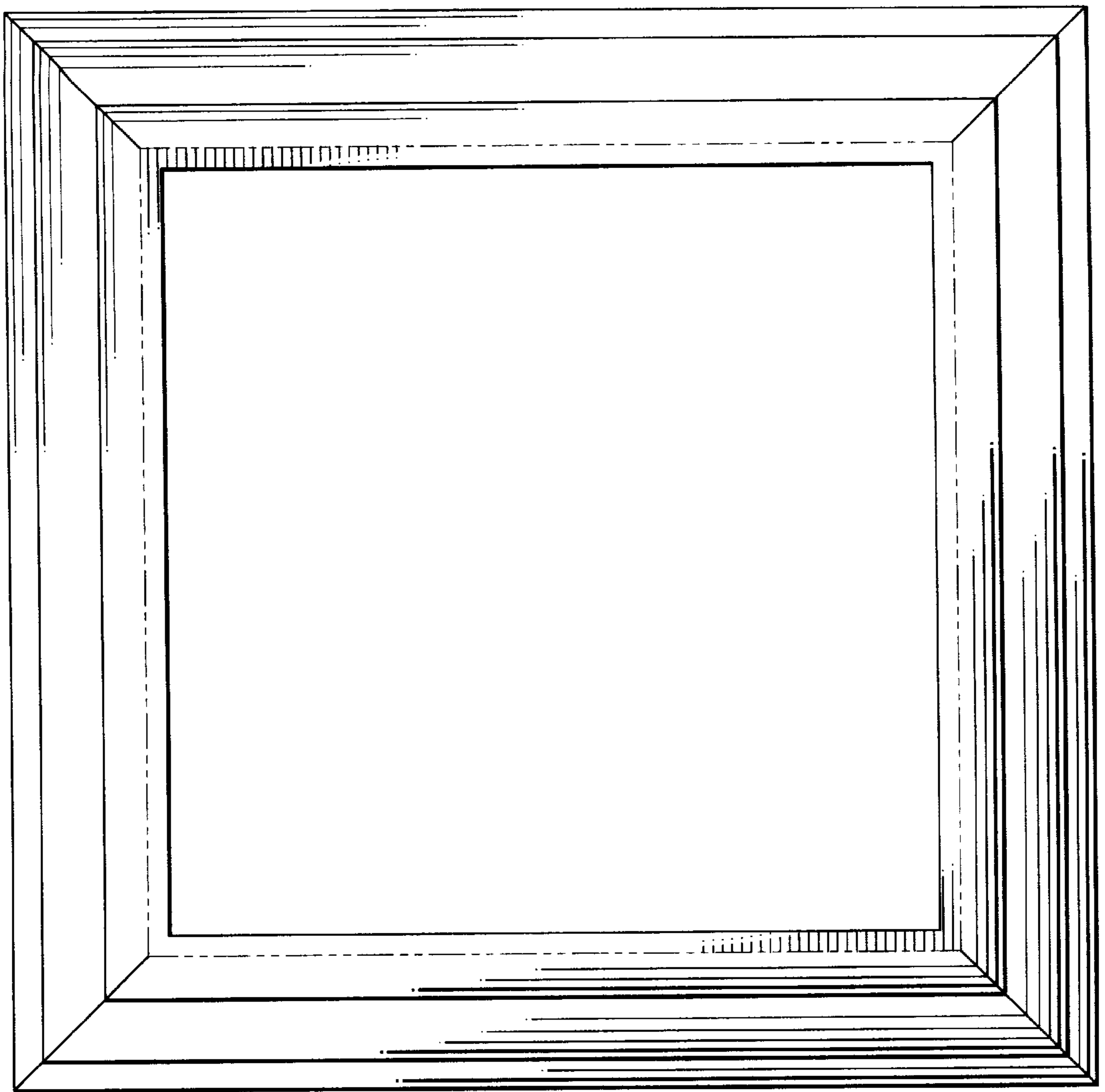


FIG. 3

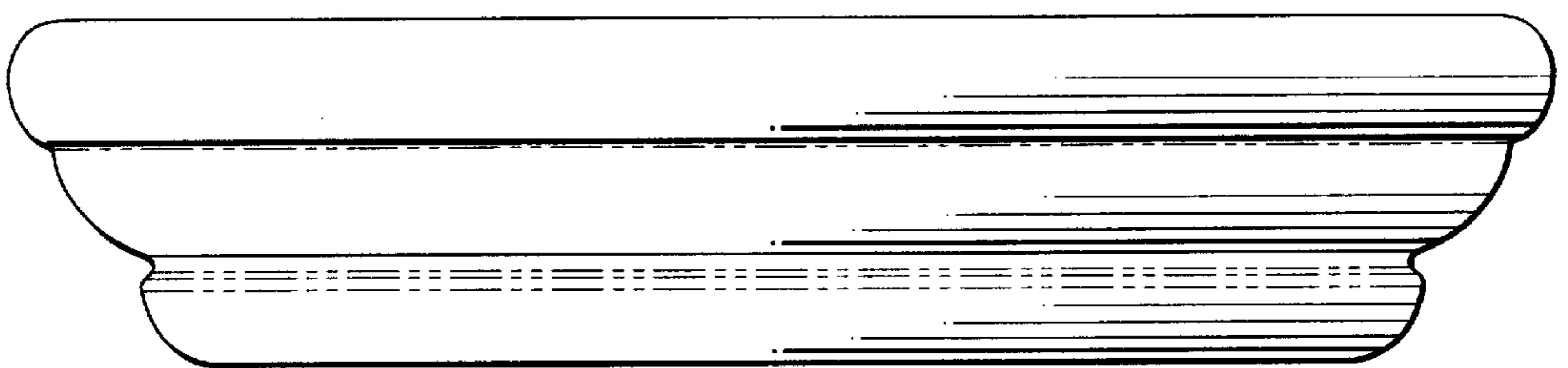


FIG. 4