



US00D456086S

(12) **United States Design Patent**
Habeck et al.

(10) **Patent No.:** **US D456,086 S**

(45) **Date of Patent:** **** Apr. 23, 2002**

(54) **BENDABLE PICTURE FRAME FOR NEW CONSTRUCTION PICTURE WINDOW**

D381,438 S * 7/1997 DiGiorgio D25/124
D382,071 S * 8/1997 Dallaire et al. D25/124

(75) Inventors: **Jerome Carl Habeck**, Holt; **Dennis C. Westphal**, Parma, both of MI (US); **David S. Levine**, King of Prussia; **Stanley Gursky**, Yardley, both of PA (US)

* cited by examiner

Primary Examiner—Doris Clark
(74) *Attorney, Agent, or Firm*—Duane Morris & Heckscher LLP

(73) Assignee: **CertainTeed Corporation**, Valley Forge, PA (US)

(**) Term: **14 Years**

(57) **CLAIM**

The ornamental design for a bendable picture frame for new construction picture window, as shown and described.

(21) Appl. No.: **29/119,687**

(22) Filed: **Mar. 6, 2000**

DESCRIPTION

(51) **LOC (7) Cl.** **25-01**

(52) **U.S. Cl.** **D25/124**

(58) **Field of Search** 52/777-779, 764, 52/204.5, 204.55, 656.4, 656.6, 656.7; D25/124, 60, 125, 52; 49/504, DIG. 2

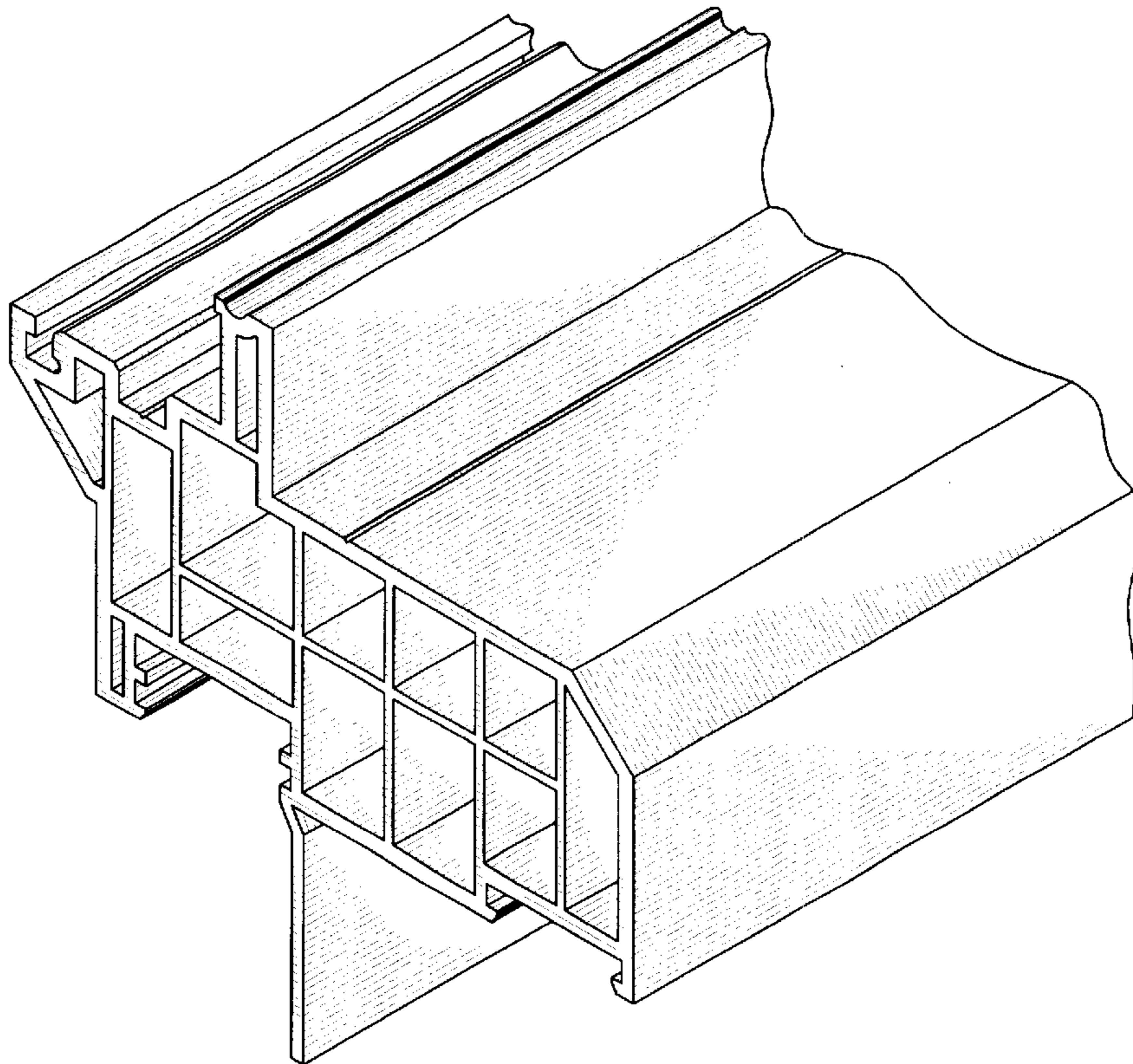
The FIGURE is a front perspective view of a bendable picture frame for new construction picture window, showing our new design, the rear perspective view being a mirror image thereof, and is shown fragmented indicating indefinite length.

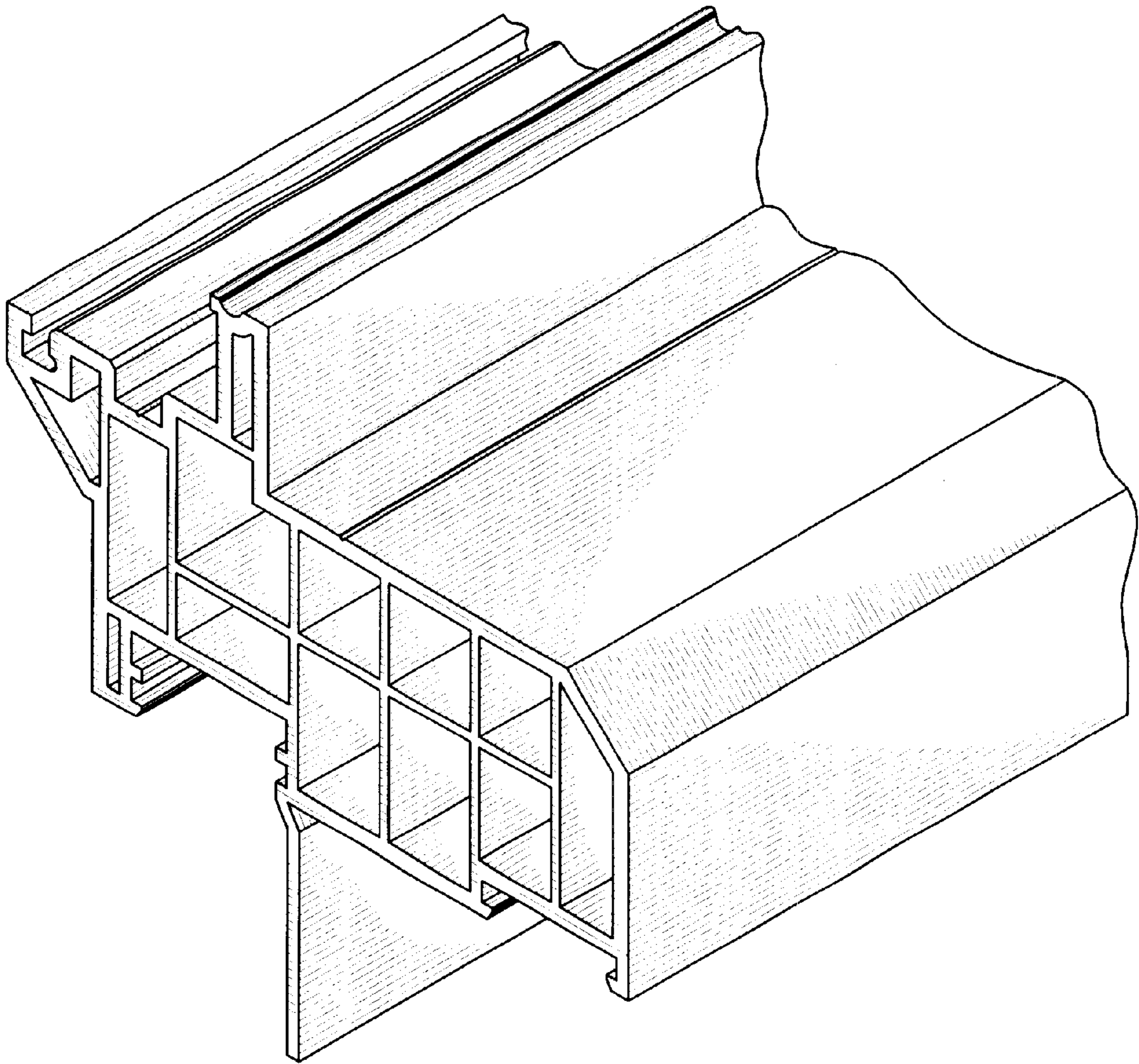
(56) **References Cited**

U.S. PATENT DOCUMENTS

D307,802 S * 5/1990 Westphal et al. D25/124

1 Claim, 1 Drawing Sheet





THE FIGURE