



US00D456084S

(12) **United States Design Patent**
Smith

(10) **Patent No.: US D456,084 S**

(45) **Date of Patent: ** Apr. 23, 2002**

(54) **ABDOMINAL EXERCISE DEVICE**

(75) Inventor: **Detlev F. Smith**, Fairlawn, OH (US)

(73) Assignee: **Fitness Quest, Inc.**, Canton, OH (US)

(**) Term: **14 Years**

(21) Appl. No.: **29/136,178**

(22) Filed: **Jan. 24, 2001**

Related U.S. Application Data

(63) Continuation-in-part of application No. 09/749,711, filed on Dec. 27, 2000.

(51) **LOC (7) Cl.** **21-02**

(52) **U.S. Cl.** **D24/687; D21/686**

(58) **Field of Search** D21/662, 686,
D21/687, 688, 689, 690; 482/140, 141,
142, 148; D24/183

(56) **References Cited**

U.S. PATENT DOCUMENTS

4,752,067	A	*	6/1988	Colonello	482/140
4,848,742	A	*	7/1989	Lindley et al.	482/140
4,995,604	A	*	2/1991	Lynch et al.	D21/678
D321,386	S	*	11/1991	Reichman	D21/687
D343,877	S	*	2/1994	Yin et al.	D21/690
5,320,594	A	*	6/1994	Huang	482/147
5,871,425	A	*	2/1999	Gvoich	482/140
D412,191	S	*	7/1999	Woo et al.	D21/686
D428,948	S	*	8/2000	Gebhard	D21/686

* cited by examiner

Primary Examiner—Philip S. Hyder

(74) *Attorney, Agent, or Firm*—Sand & Sebolt

(57) **CLAIM**

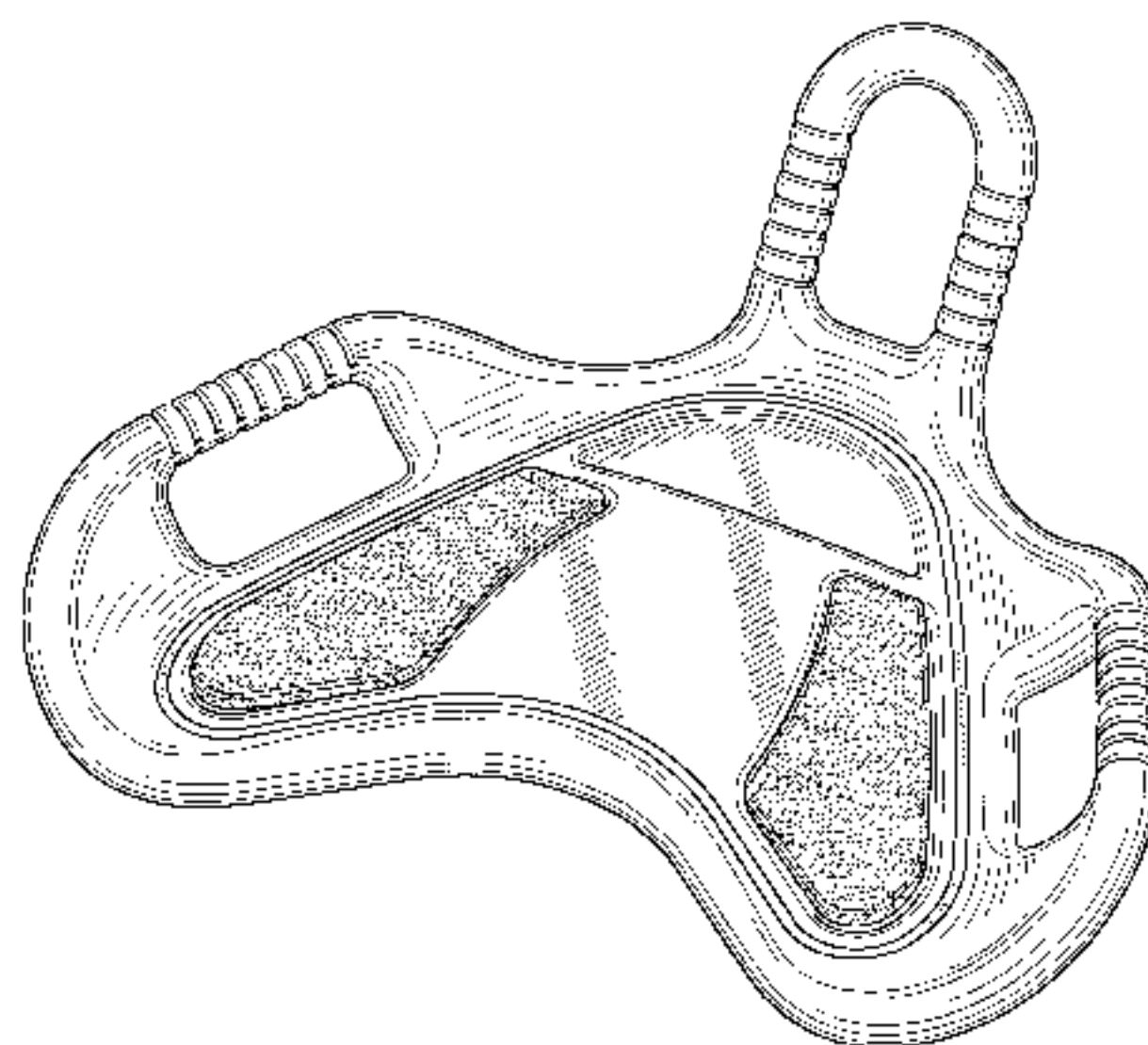
The ornamental design for an abdominal exercise device, as shown and described.

DESCRIPTION

FIG. 1 is a top perspective view of an exercise device which represents a first preferred embodiment of my new design; FIG. 2 is a bottom perspective view of an exercise device shown in FIG. 1; FIG. 3 is a top plan view of the exercise device shown in FIG. 1; FIG. 4 is a bottom plan view of the exercise device shown in FIG. 1; FIG. 5 is a rear elevational view of the exercise device shown in FIG. 1; FIG. 6 is a front elevational view of the exercise device shown in FIG. 1;

FIG. 7 is a side elevational view of the exercise device shown in FIG. 1; FIG. 8 is an opposed side elevational view of the exercise device shown in FIG. 1; FIG. 9 is a top perspective view of an exercise device which represents a second preferred embodiment of my new design; FIG. 10 is a bottom perspective view of an exercise device shown in FIG. 9; FIG. 11 is a top plan view of the exercise device shown in FIG. 9; FIG. 12 is a bottom plan view of the exercise device shown in FIG. 9; FIG. 13 is a rear elevational view of the exercise device shown in FIG. 9; FIG. 14 is a front elevational view of the exercise device shown in FIG. 9; FIG. 15 is a side elevational view of the exercise device shown in FIG. 9; FIG. 16 is an opposed side elevational view of the exercise device shown in FIG. 9; FIG. 17 is a top perspective view of an exercise device which represents a third preferred embodiment of my new design; FIG. 18 is a bottom perspective view of an exercise device shown in FIG. 17; FIG. 19 is a top plan view of the exercise device shown in FIG. 17; FIG. 20 is a bottom plan view of the exercise device shown in FIG. 17; FIG. 21 is a rear elevational view of the exercise device shown in FIG. 17; FIG. 22 is a front elevational view of the exercise device shown in FIG. 17; FIG. 23 is a side elevational view of the exercise device shown in FIG. 17; FIG. 24 is an opposed side elevational view of the exercise device shown in FIG. 17; FIG. 25 is a top perspective view of an exercise device which represents a fourth preferred embodiment of my new design; FIG. 26 is a bottom perspective view of an exercise device shown in FIG. 25; FIG. 27 is a top plan view of the exercise device shown in FIG. 25; FIG. 28 is a bottom plan view of the exercise device shown in FIG. 25; FIG. 29 is a rear elevational view of the exercise device shown in FIG. 25; FIG. 30 is a front elevational view of the exercise device shown in FIG. 25; FIG. 31 is a side elevational view of the exercise device shown in FIG. 25; and, FIG. 32 is an opposed side elevational view of the exercise device shown in FIG. 25.

1 Claim, 24 Drawing Sheets



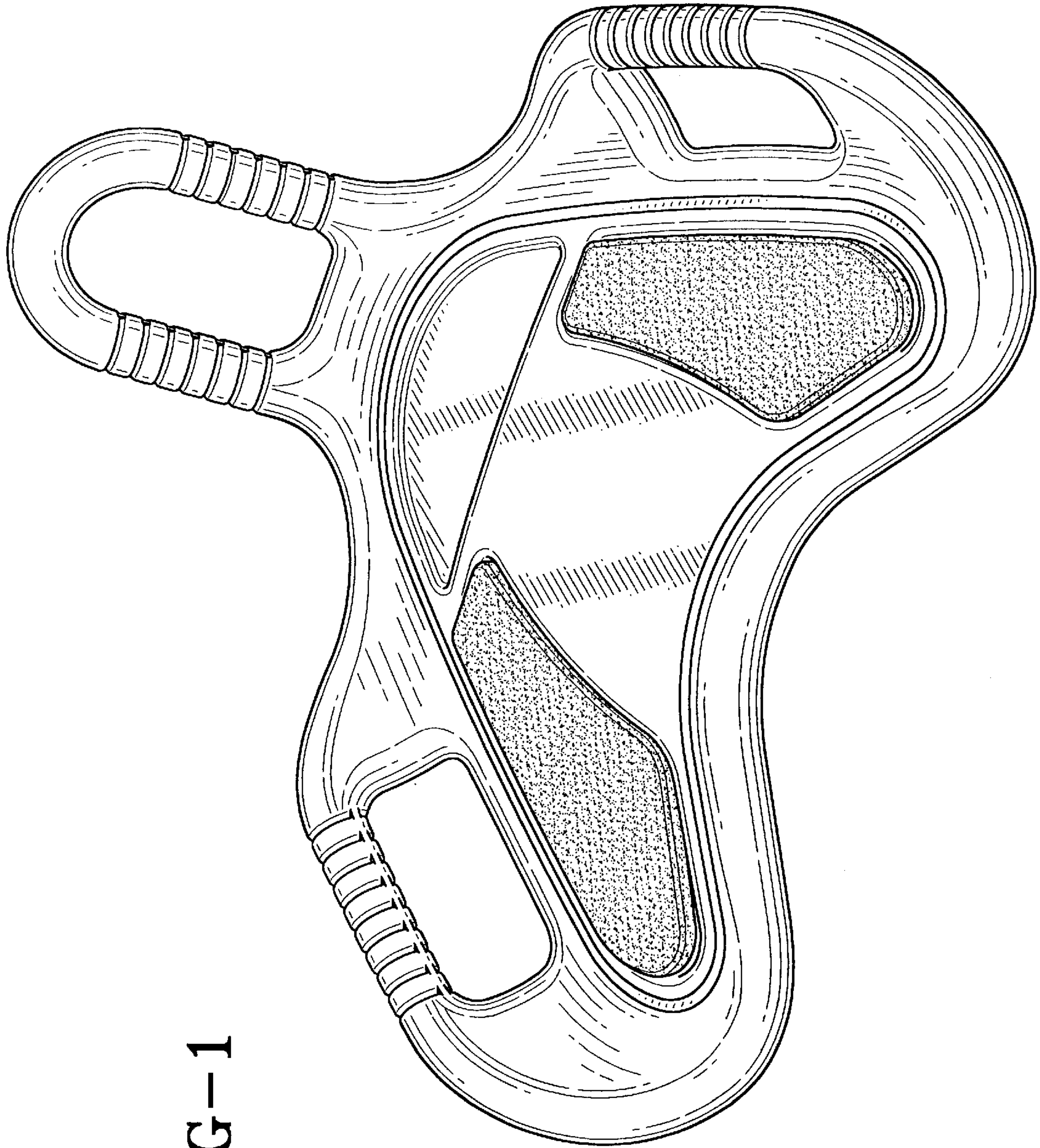


FIG-1

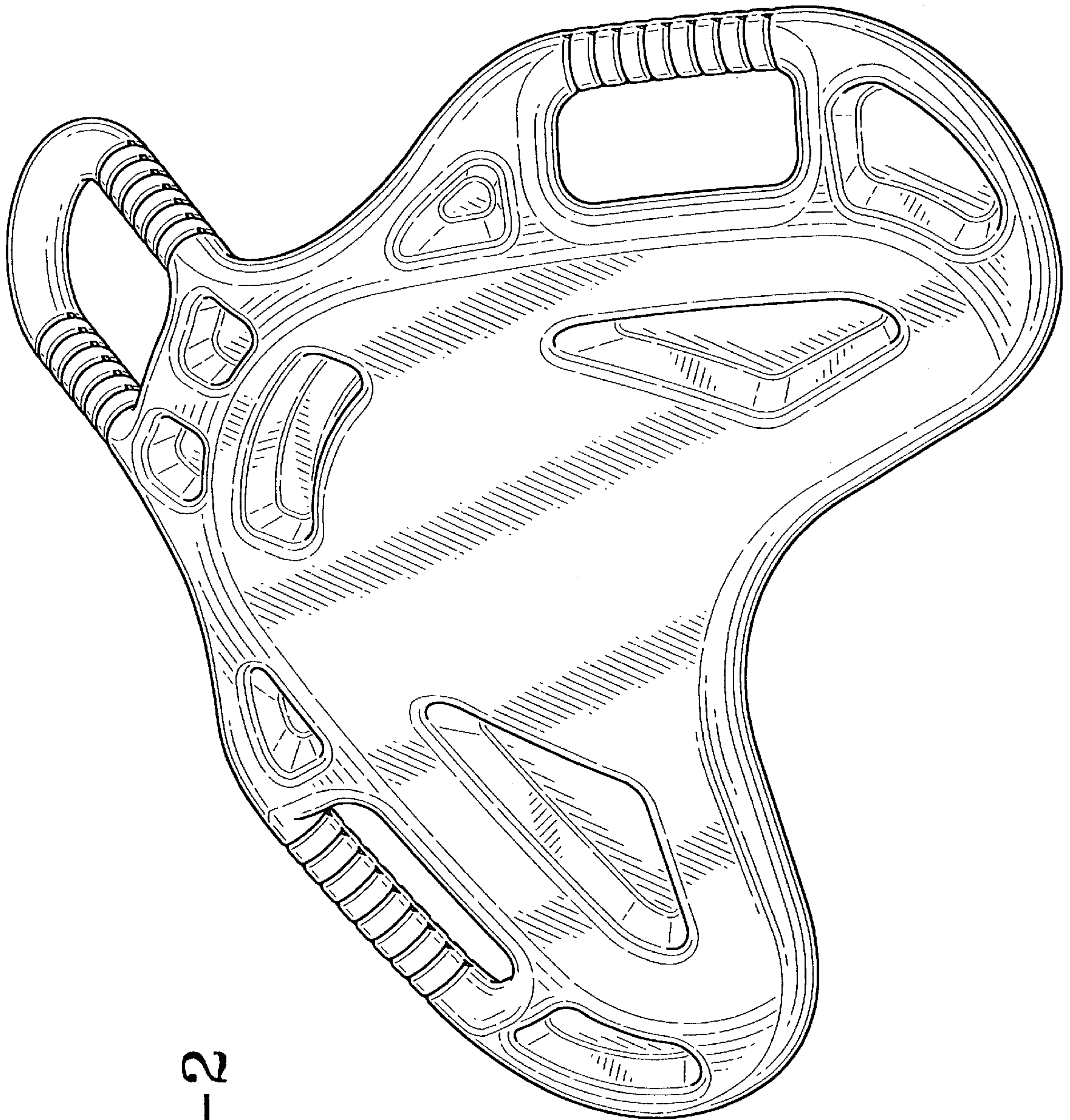


FIG-2

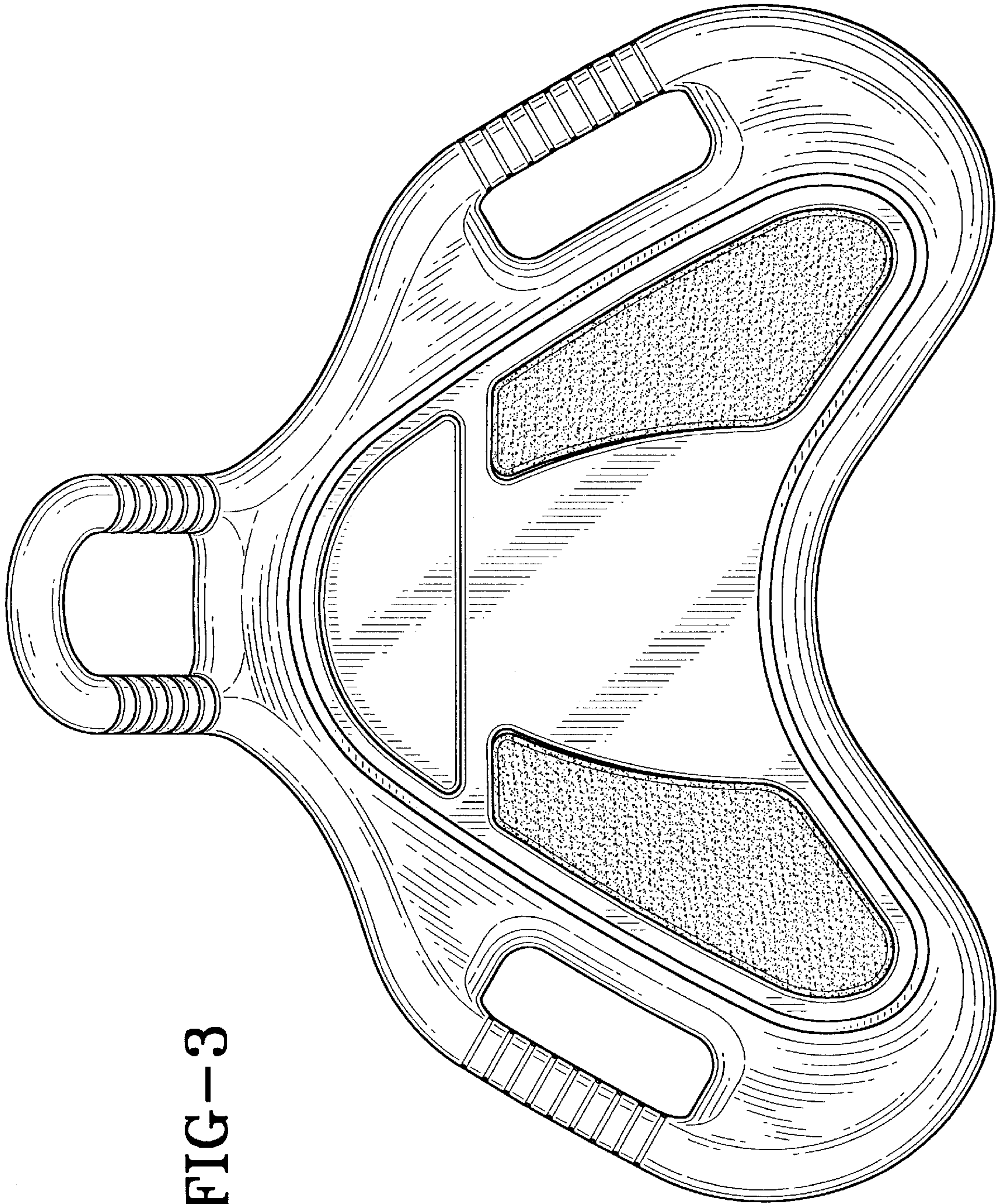


FIG-3

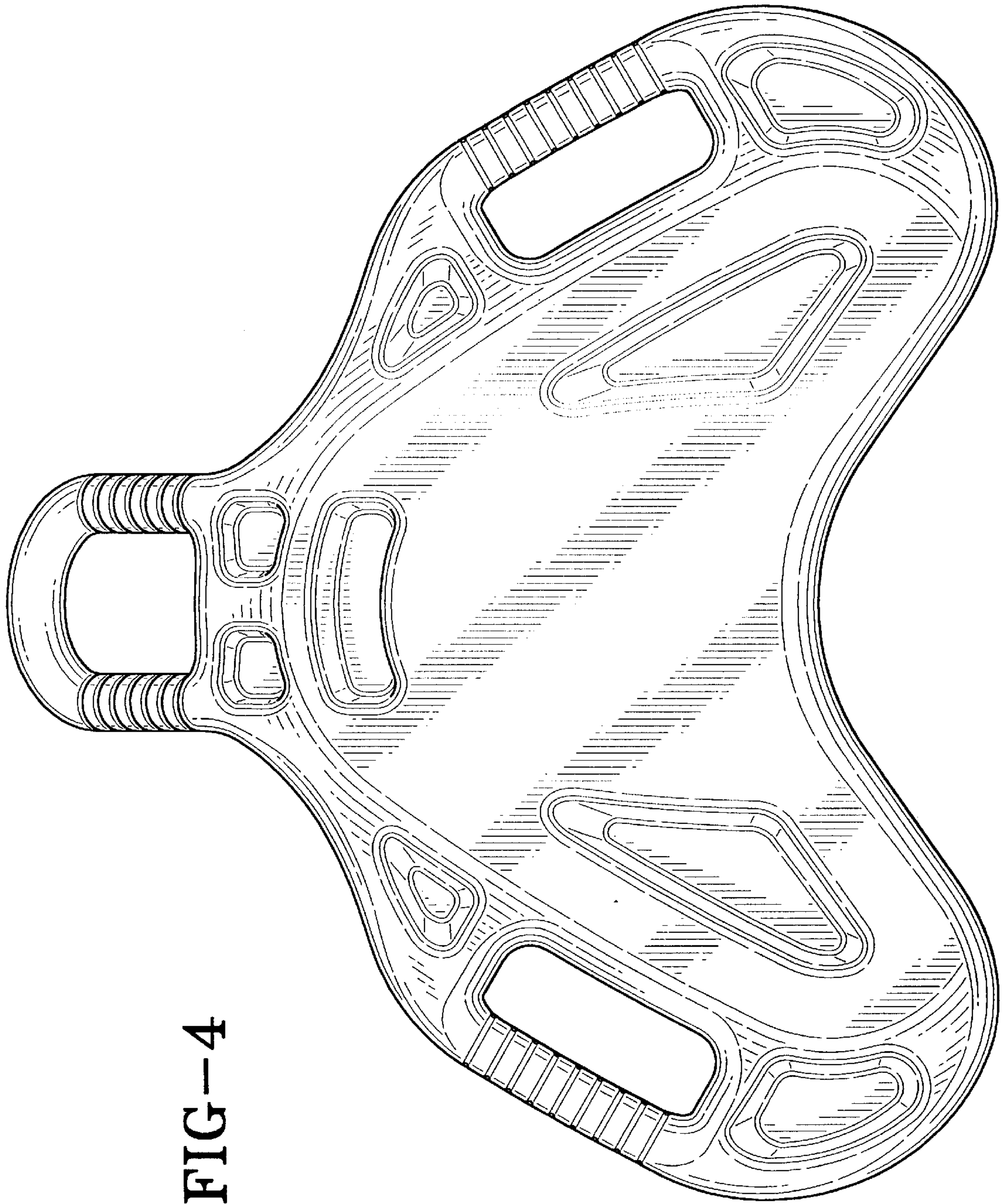


FIG-4

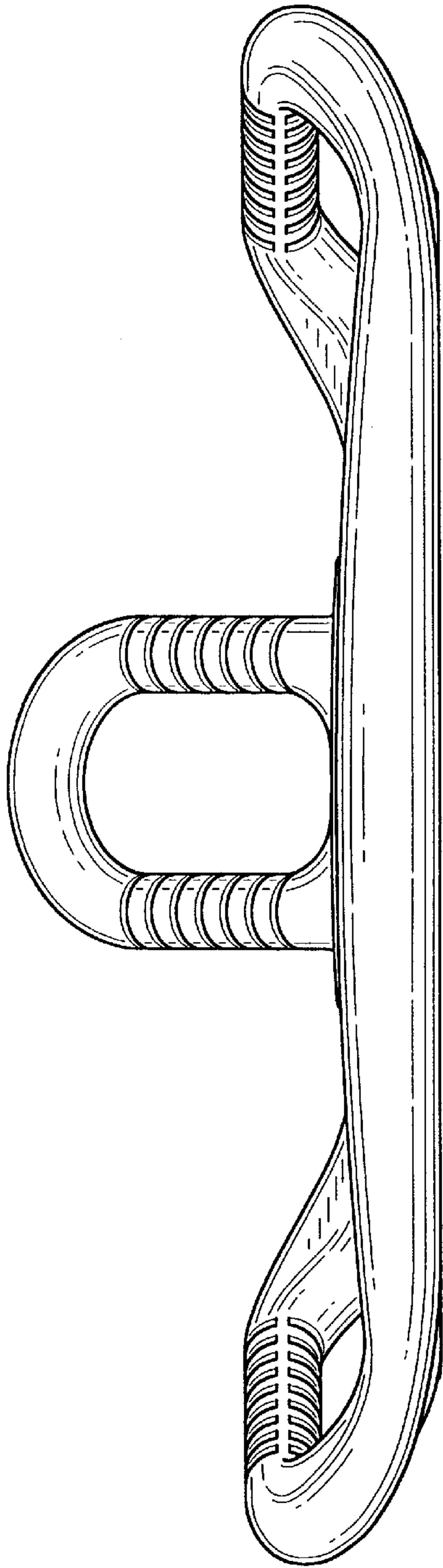


FIG-5

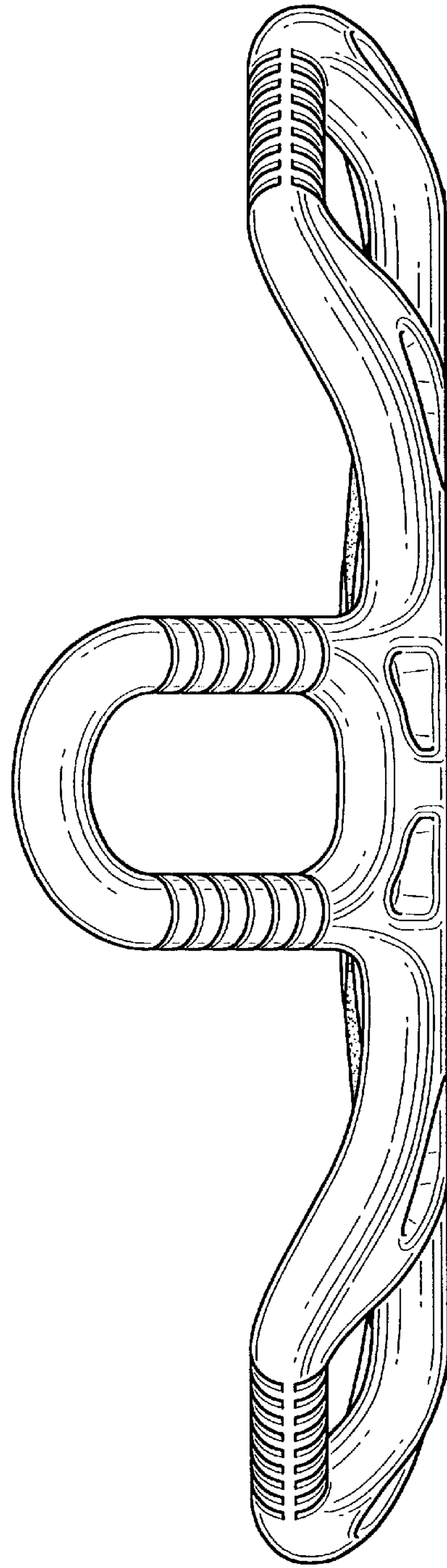


FIG-6

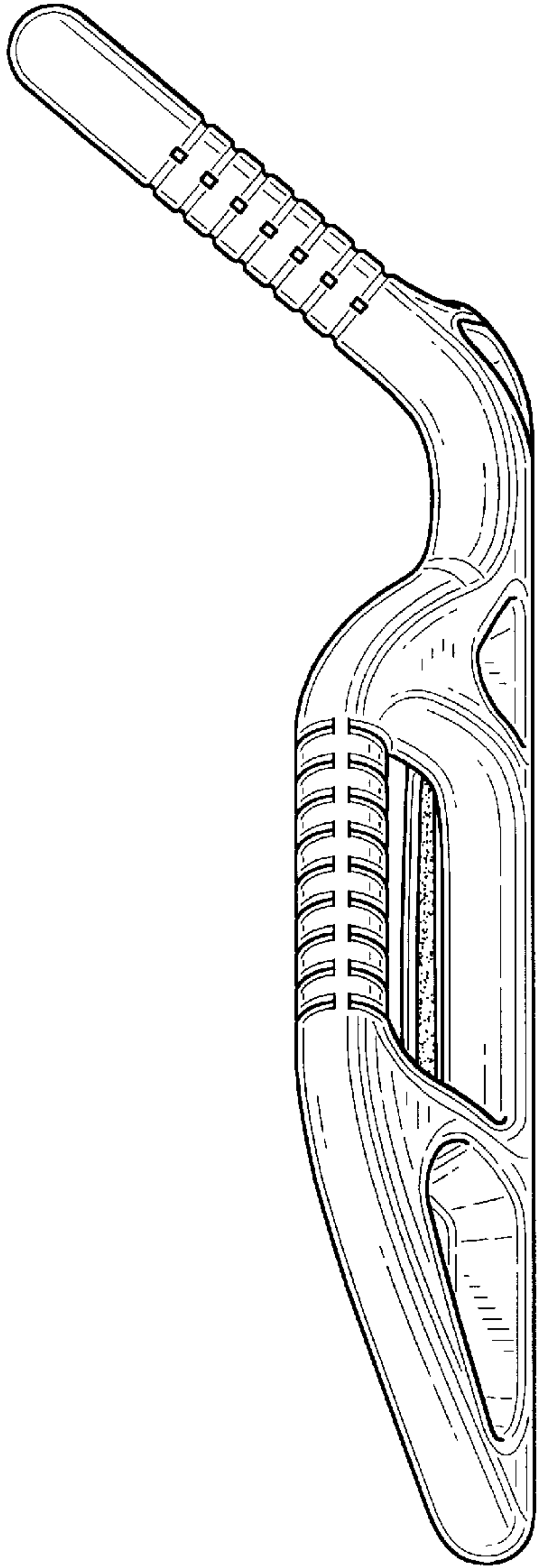


FIG-7

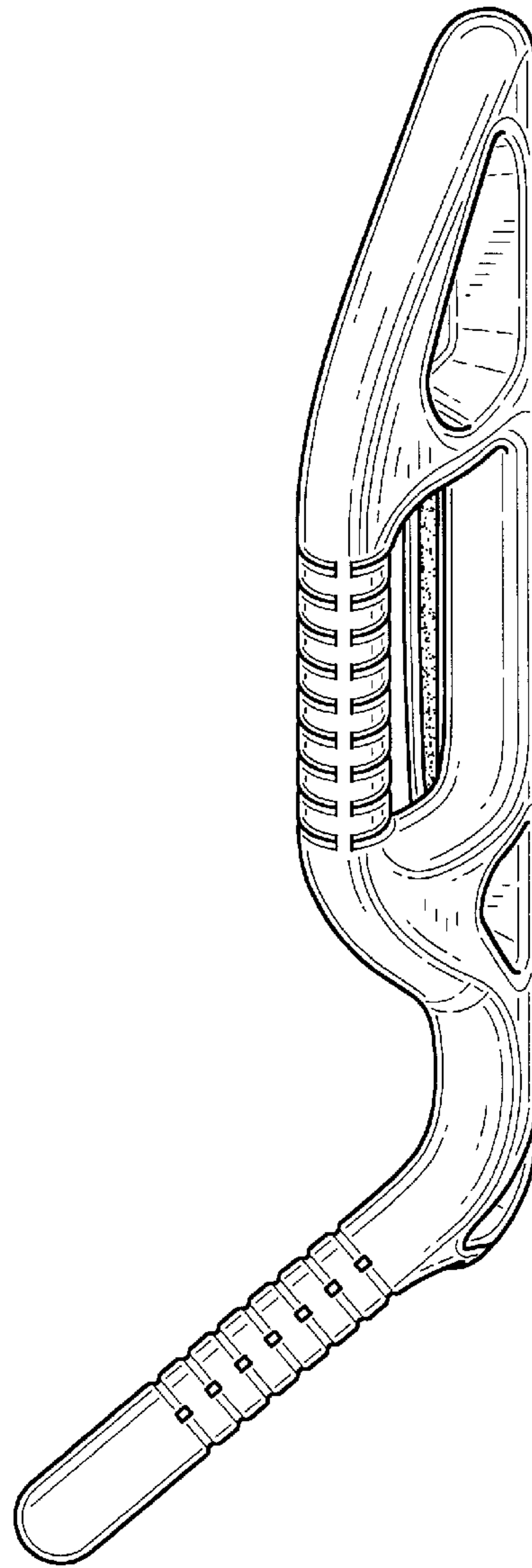


FIG-8

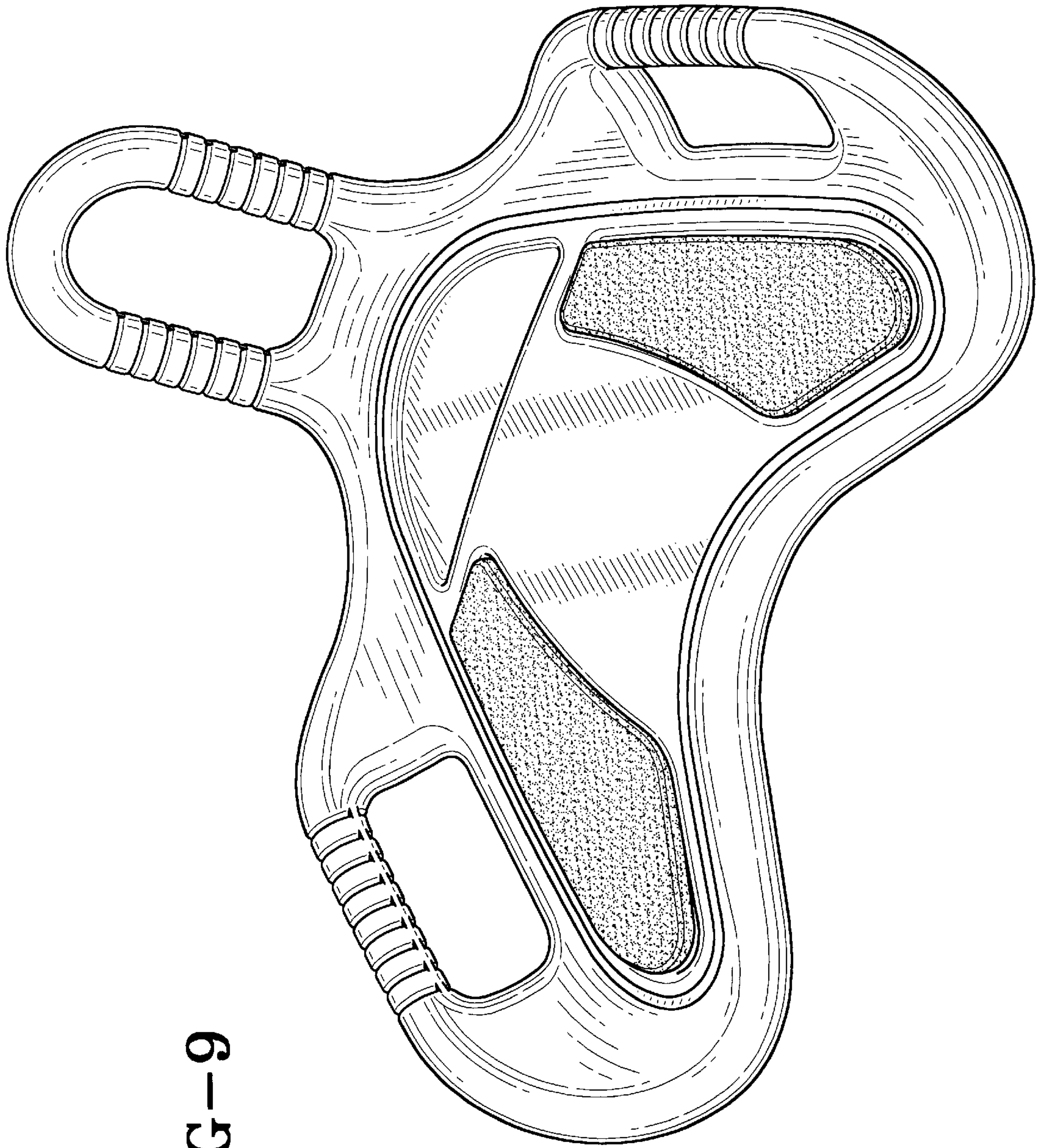


FIG-9

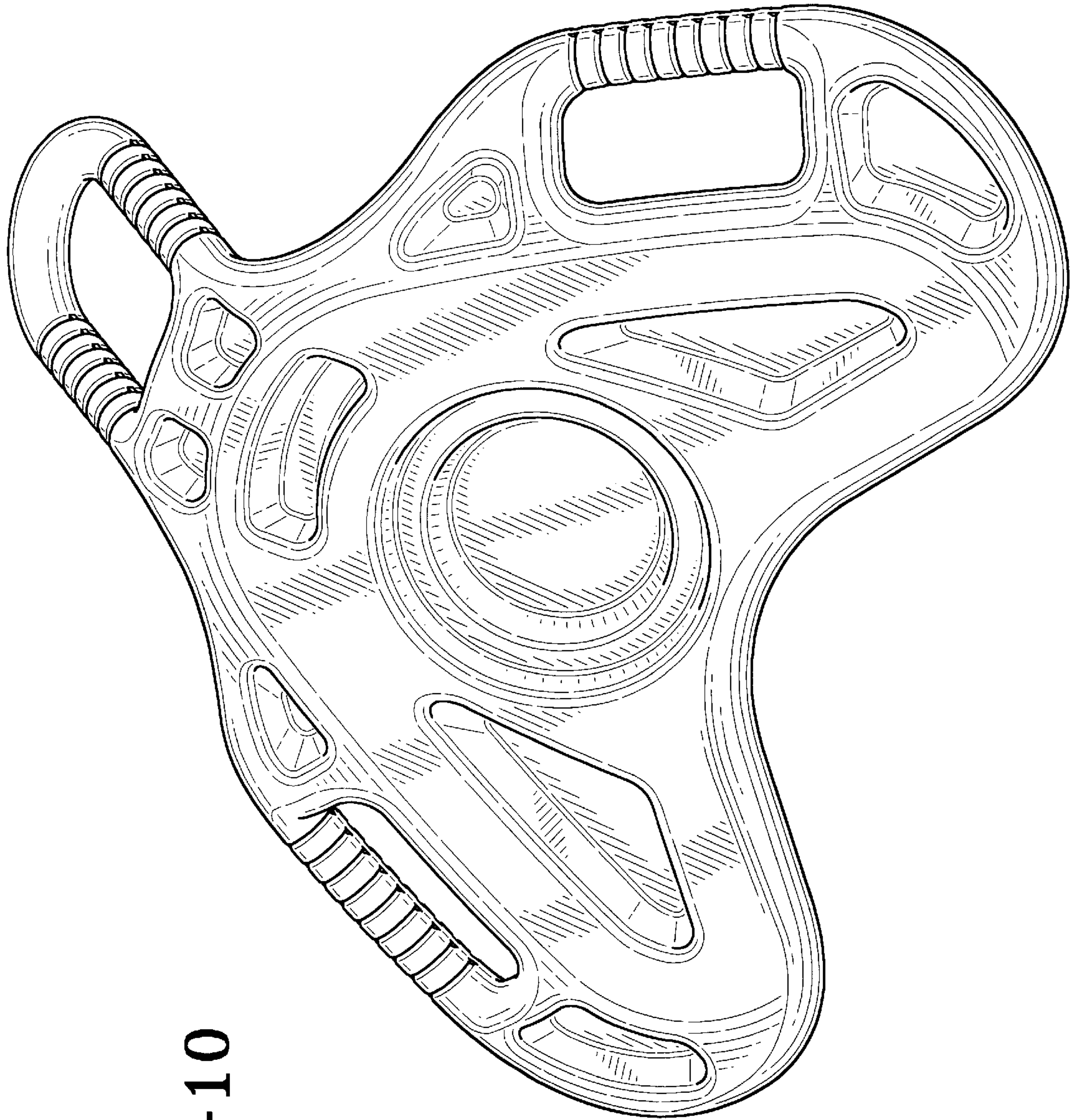


FIG-10

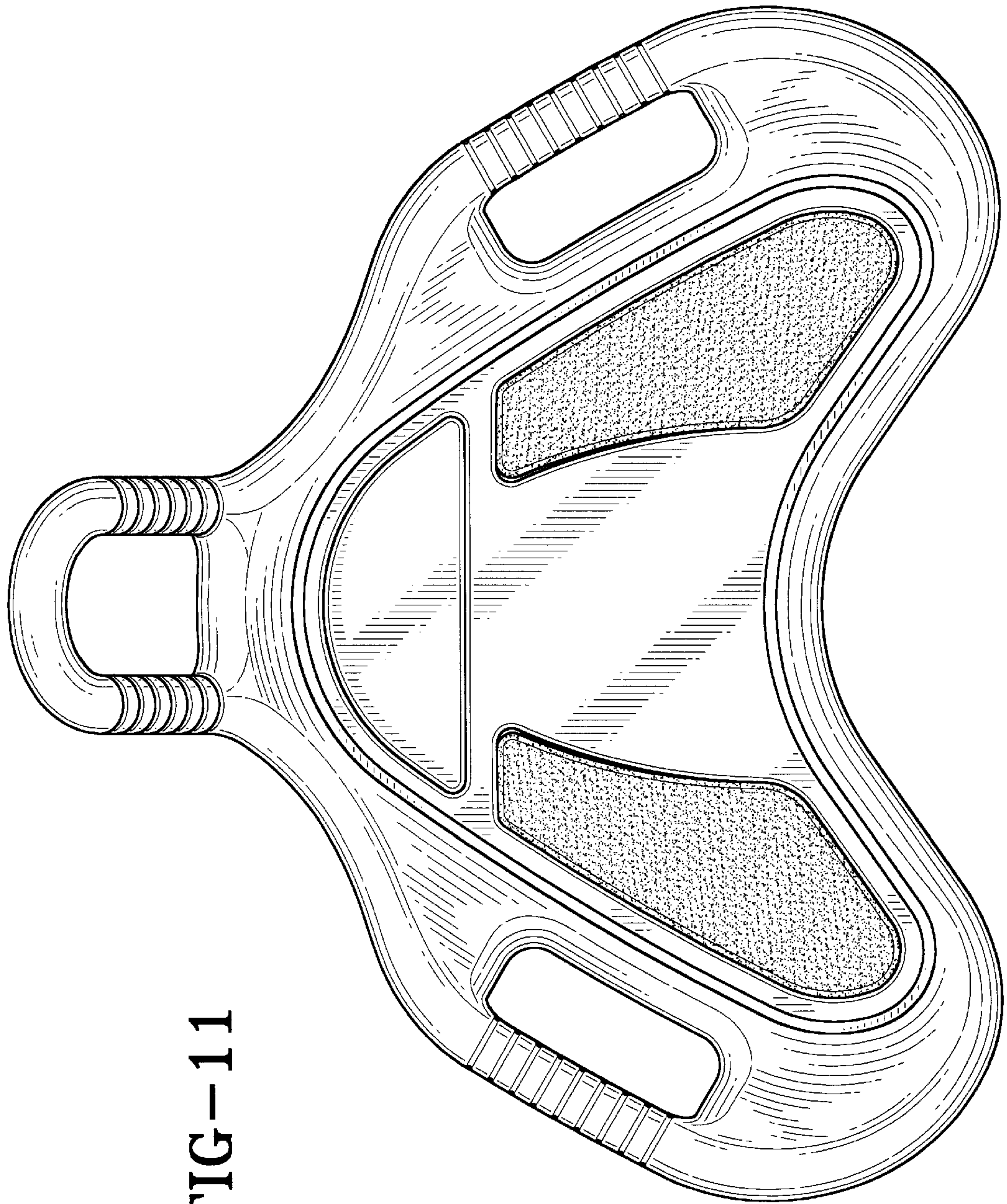


FIG-11

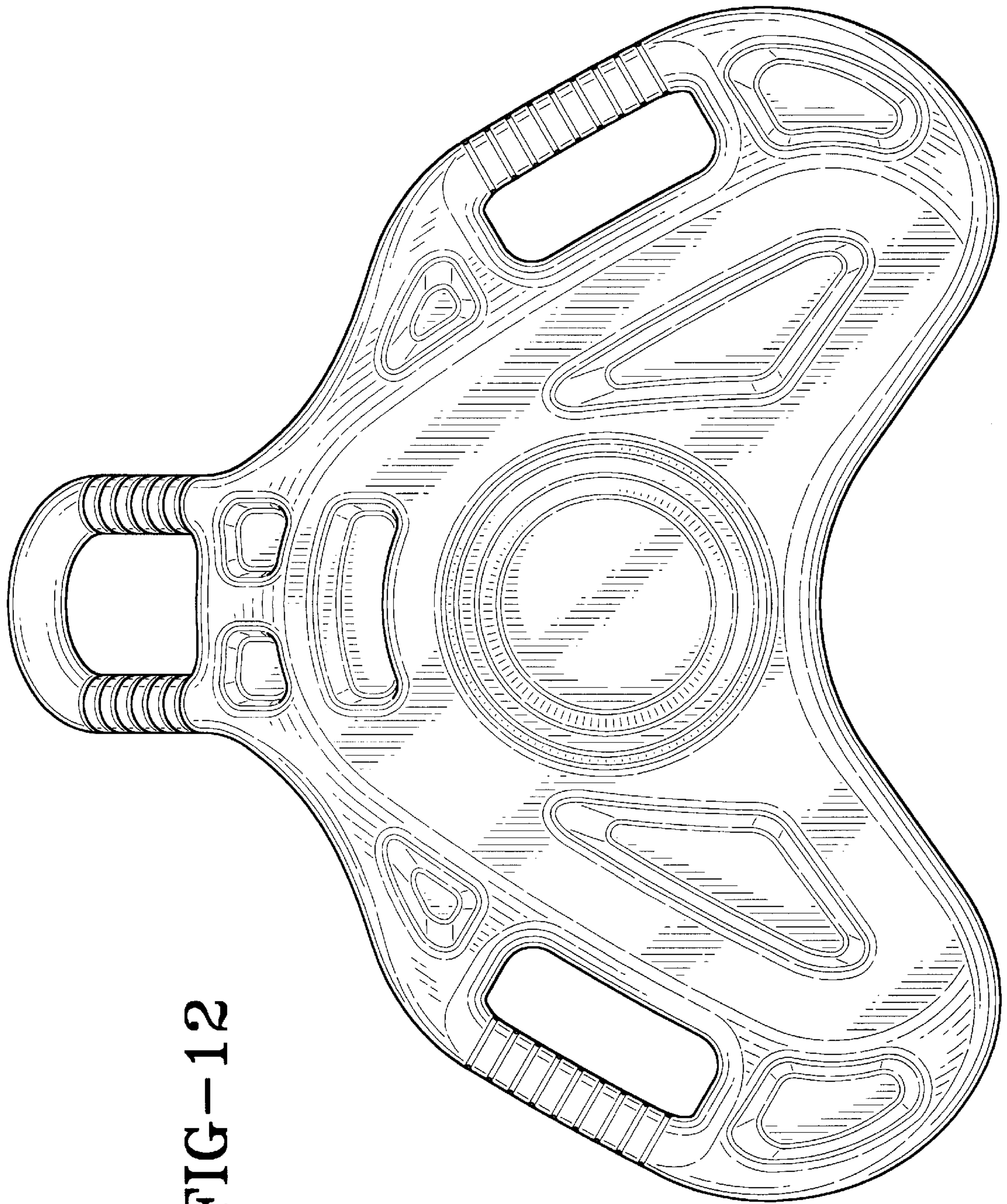


FIG-12

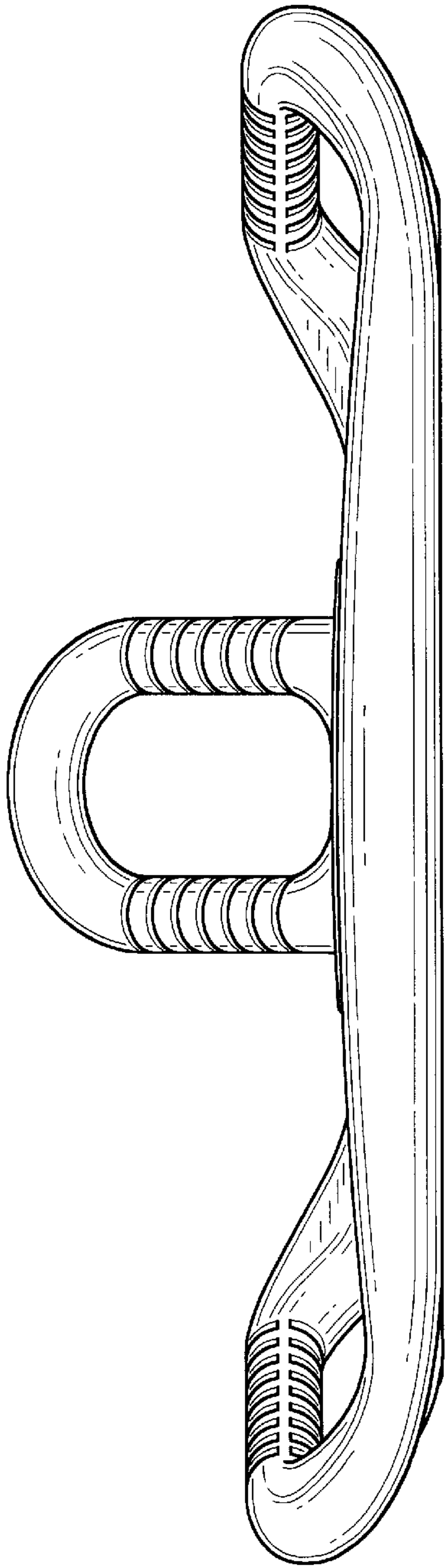


FIG-13

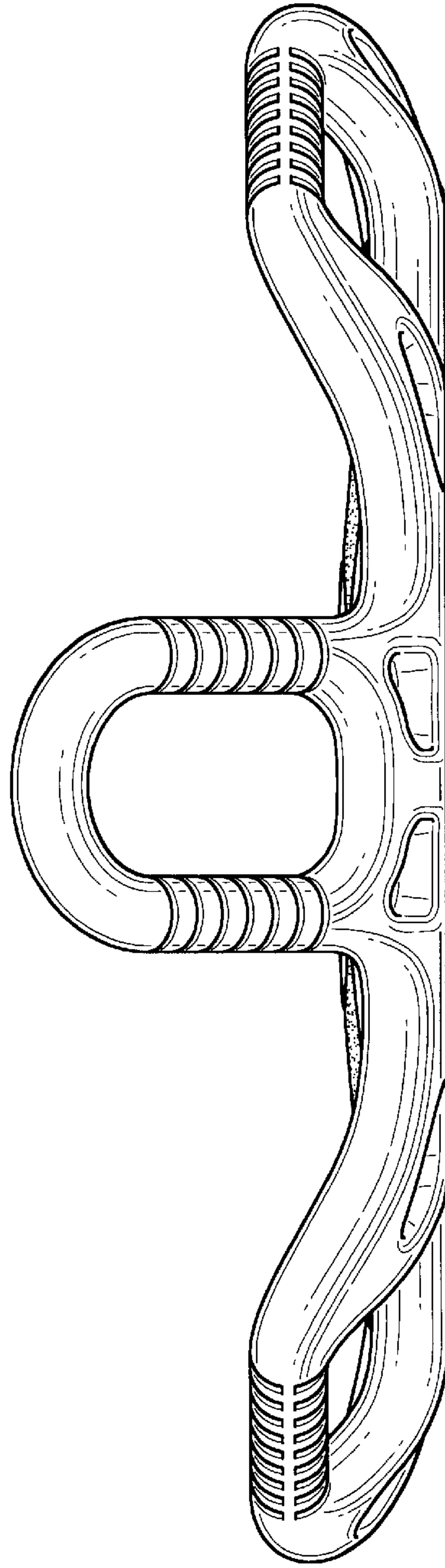


FIG-14

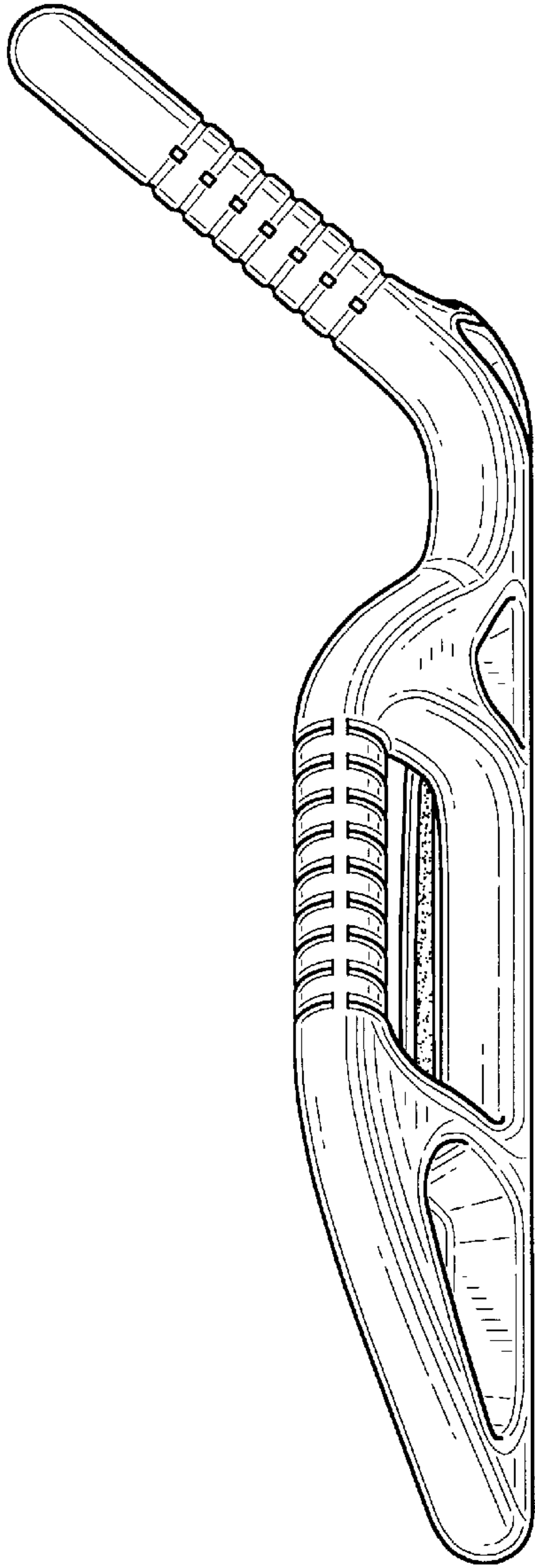


FIG-15

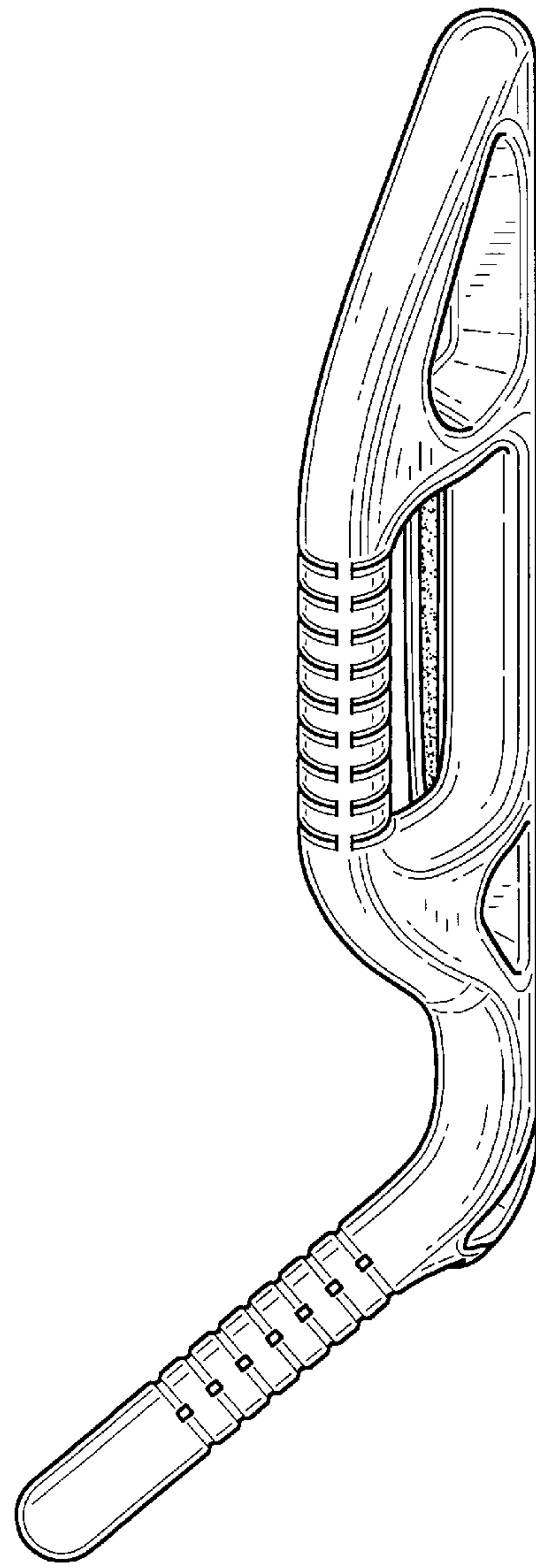


FIG-16

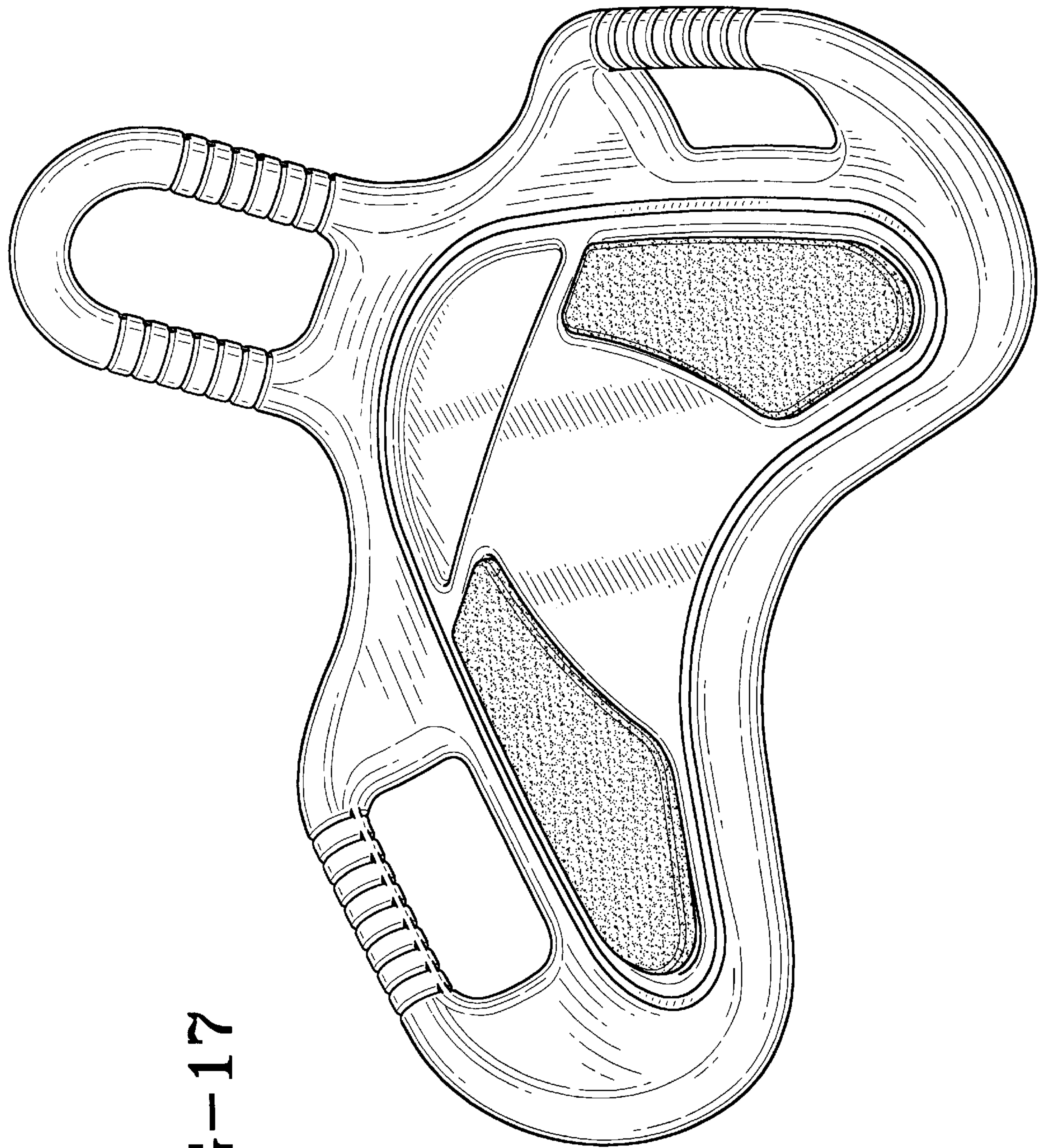


FIG-17

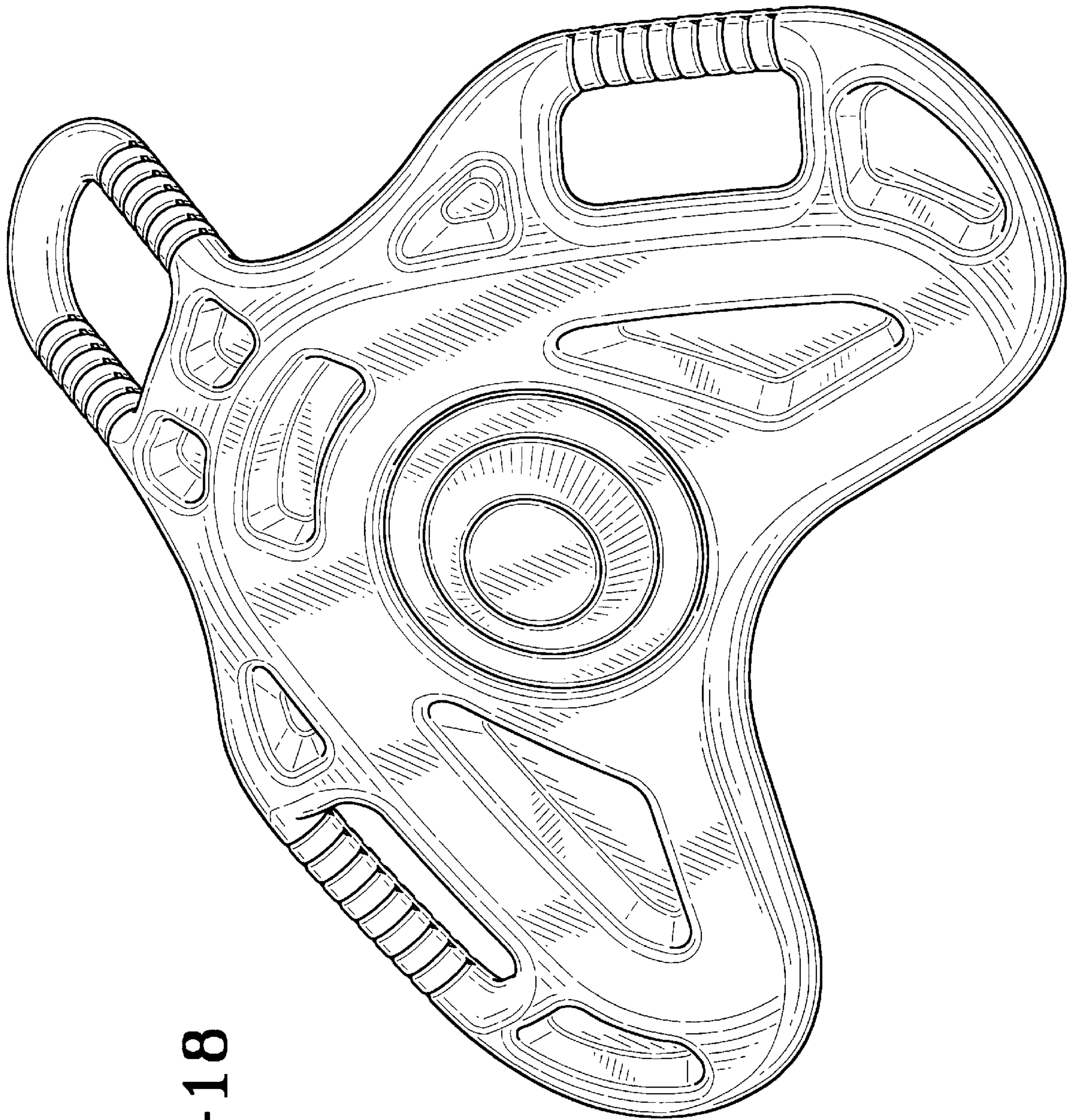


FIG-18

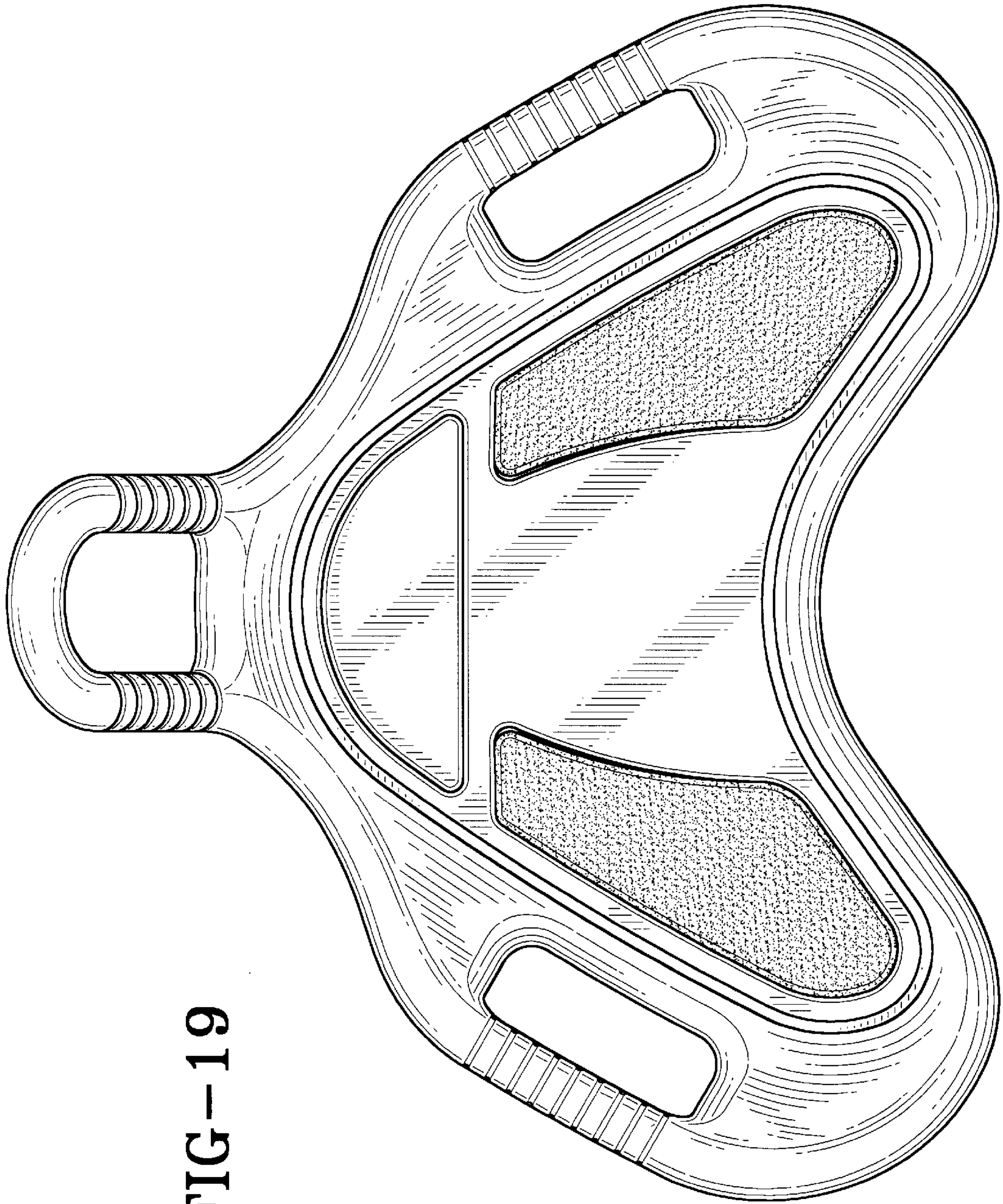


FIG-19

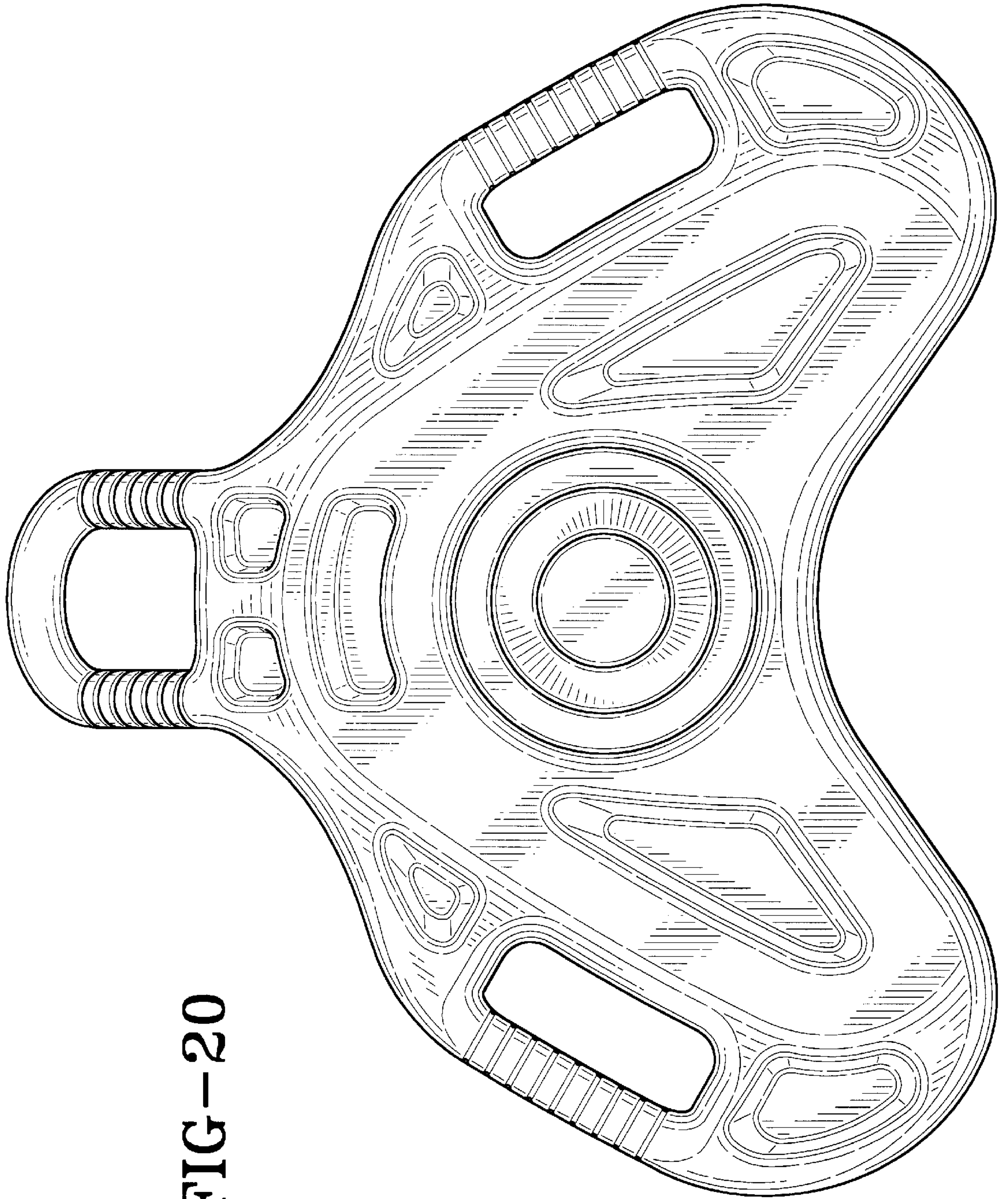


FIG-20

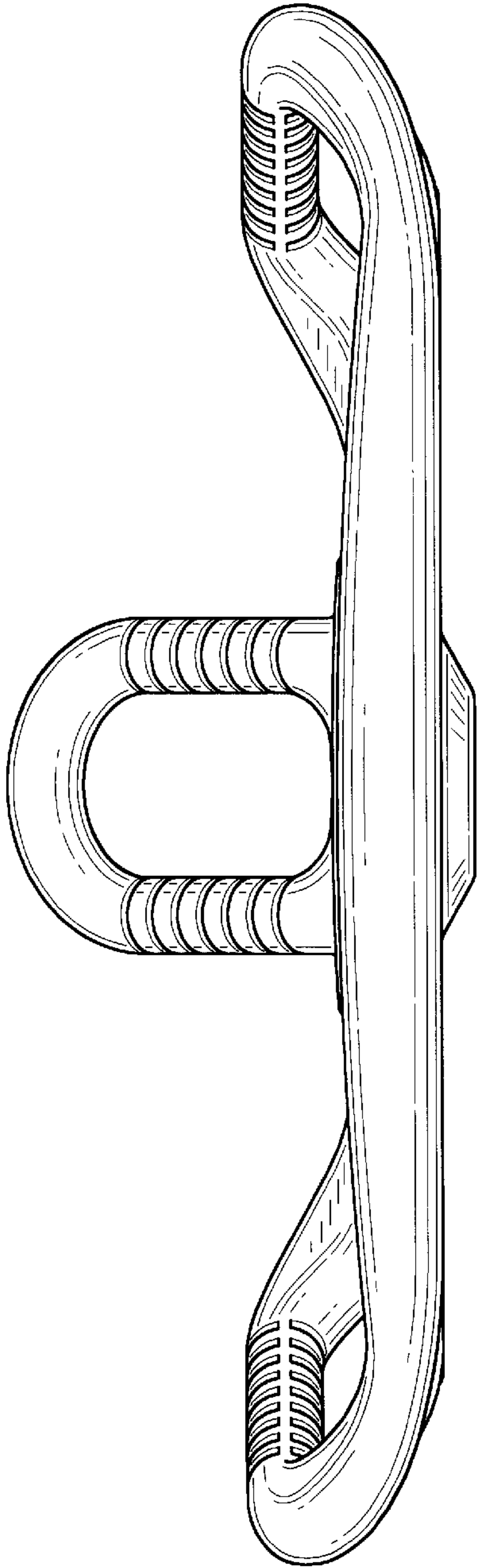


FIG-21

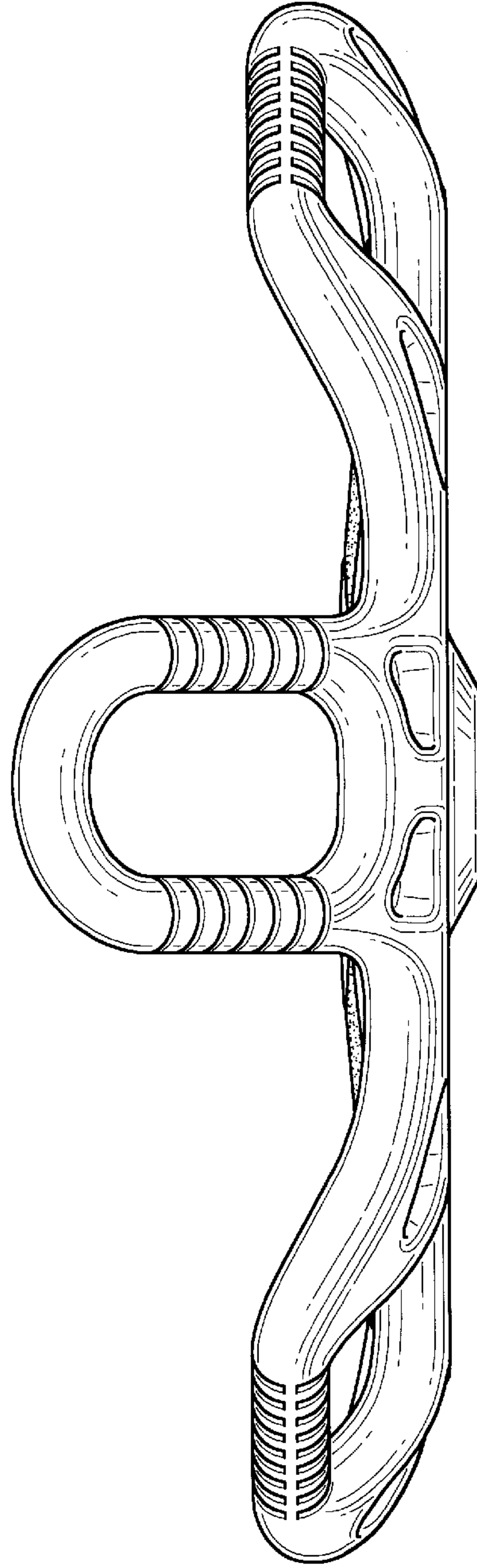


FIG-22

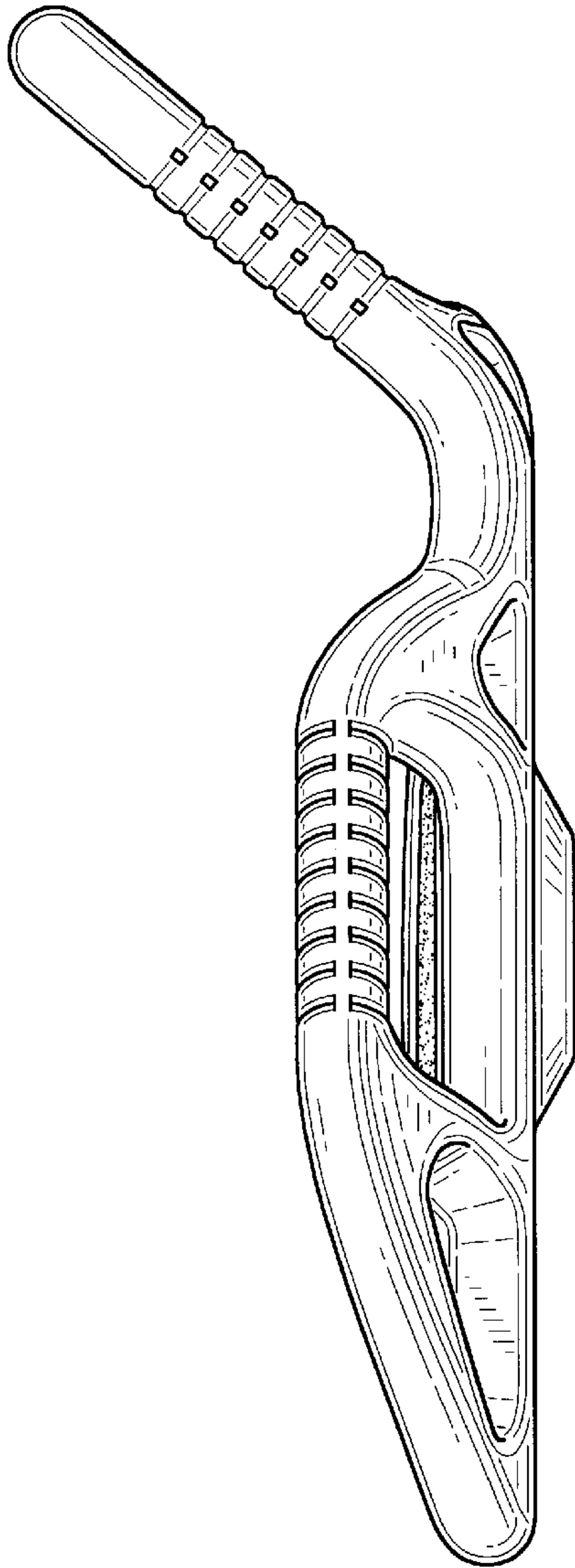


FIG-23

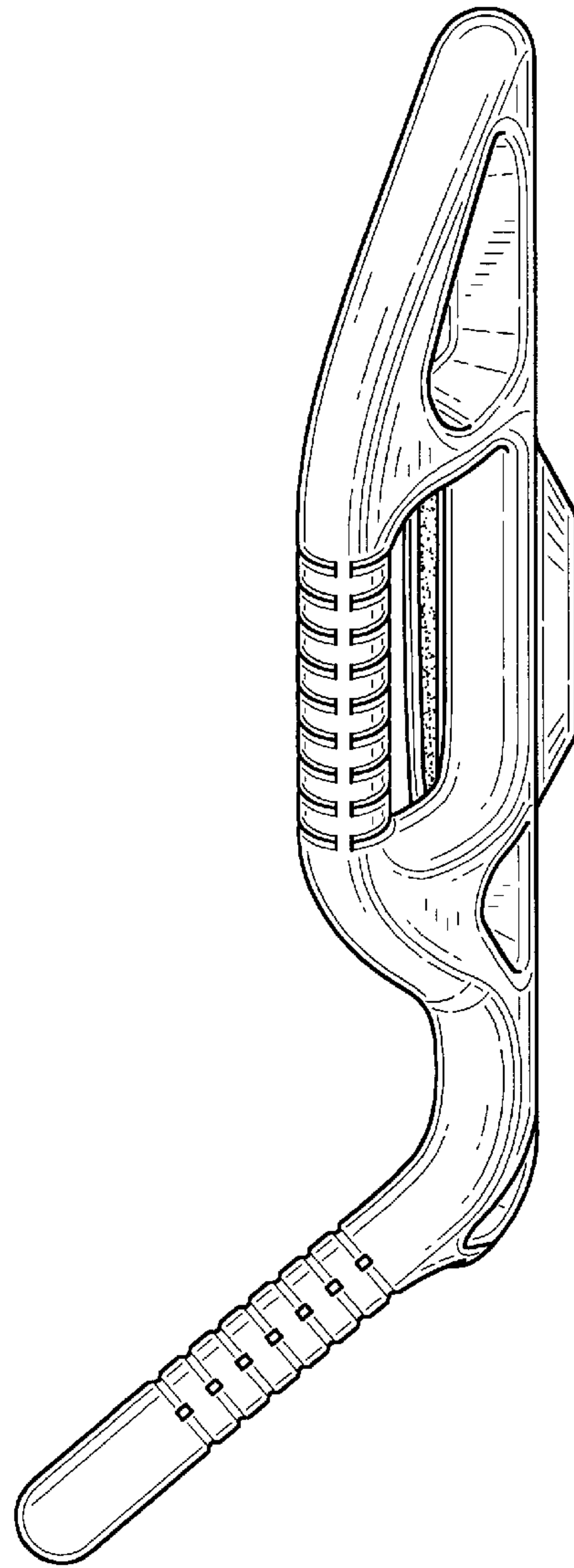


FIG-24

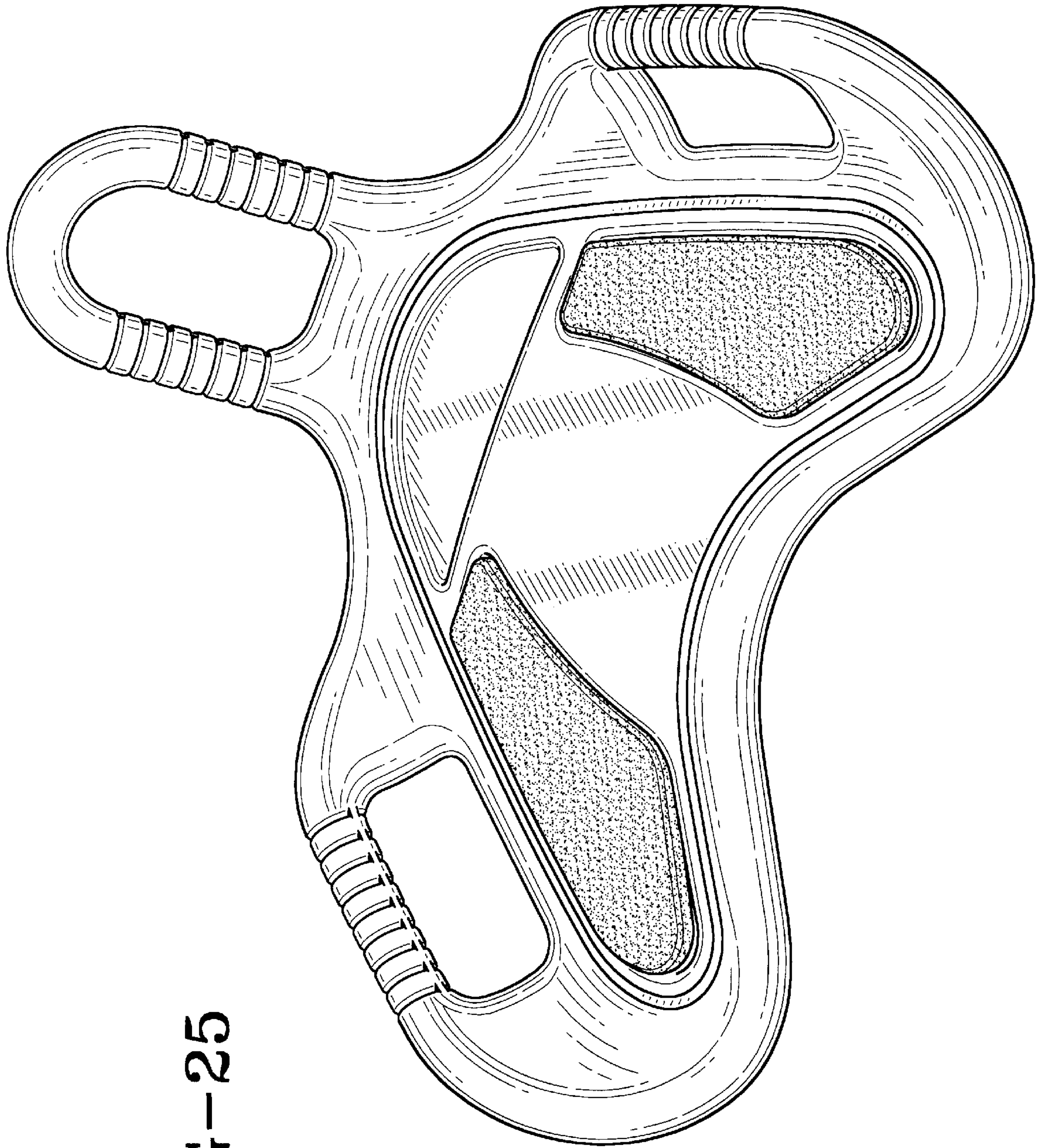


FIG-25

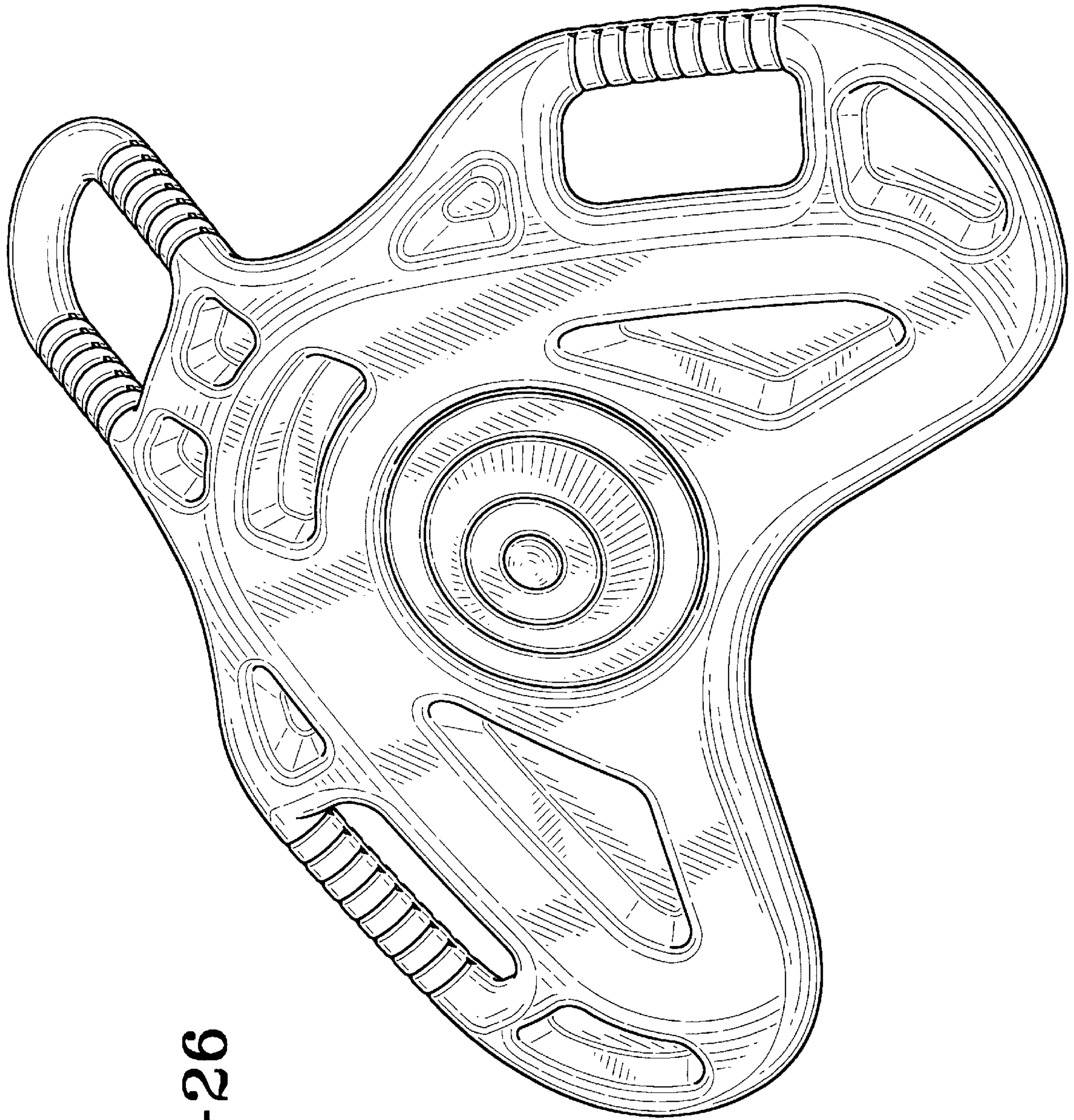


FIG-26

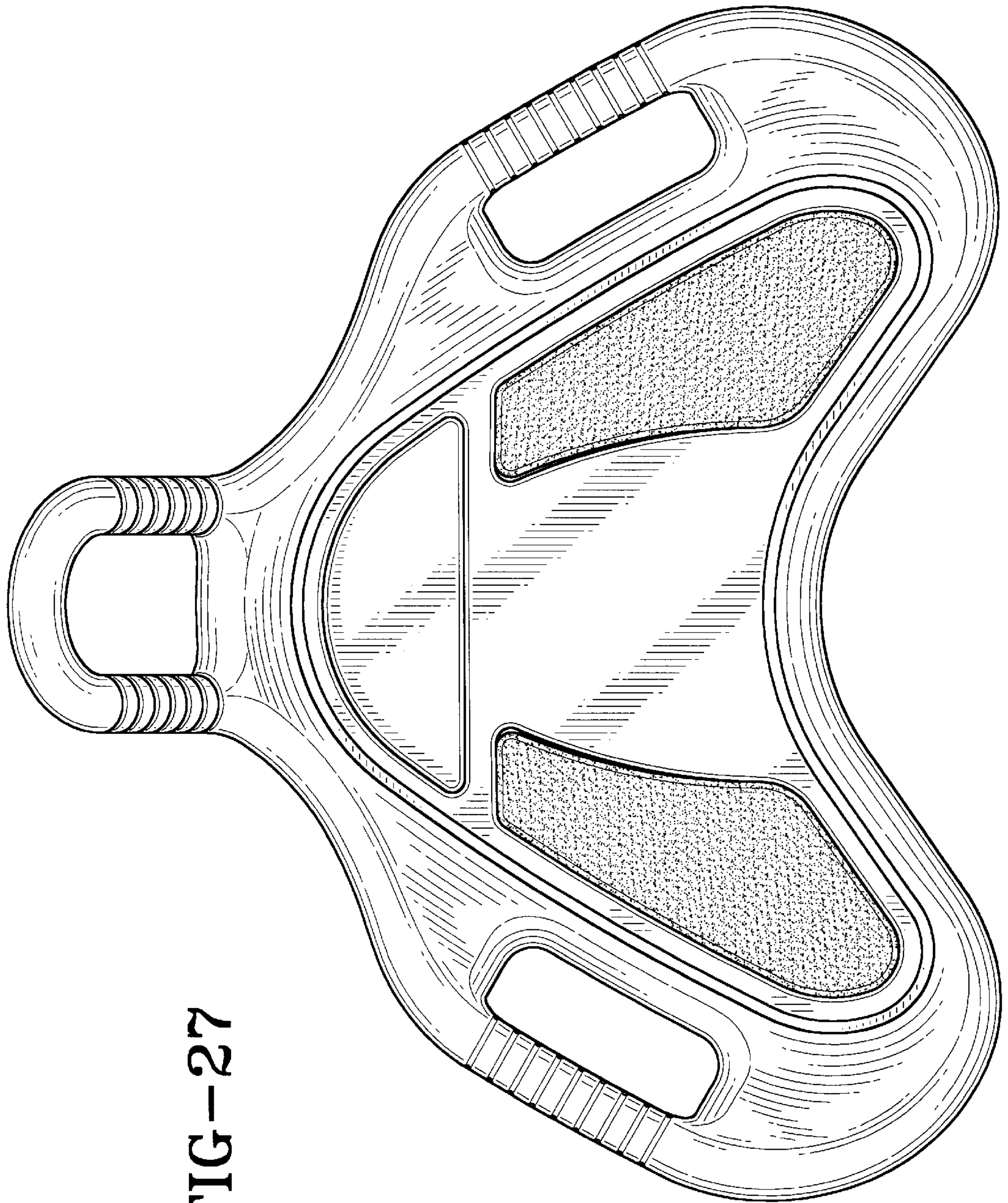


FIG-27

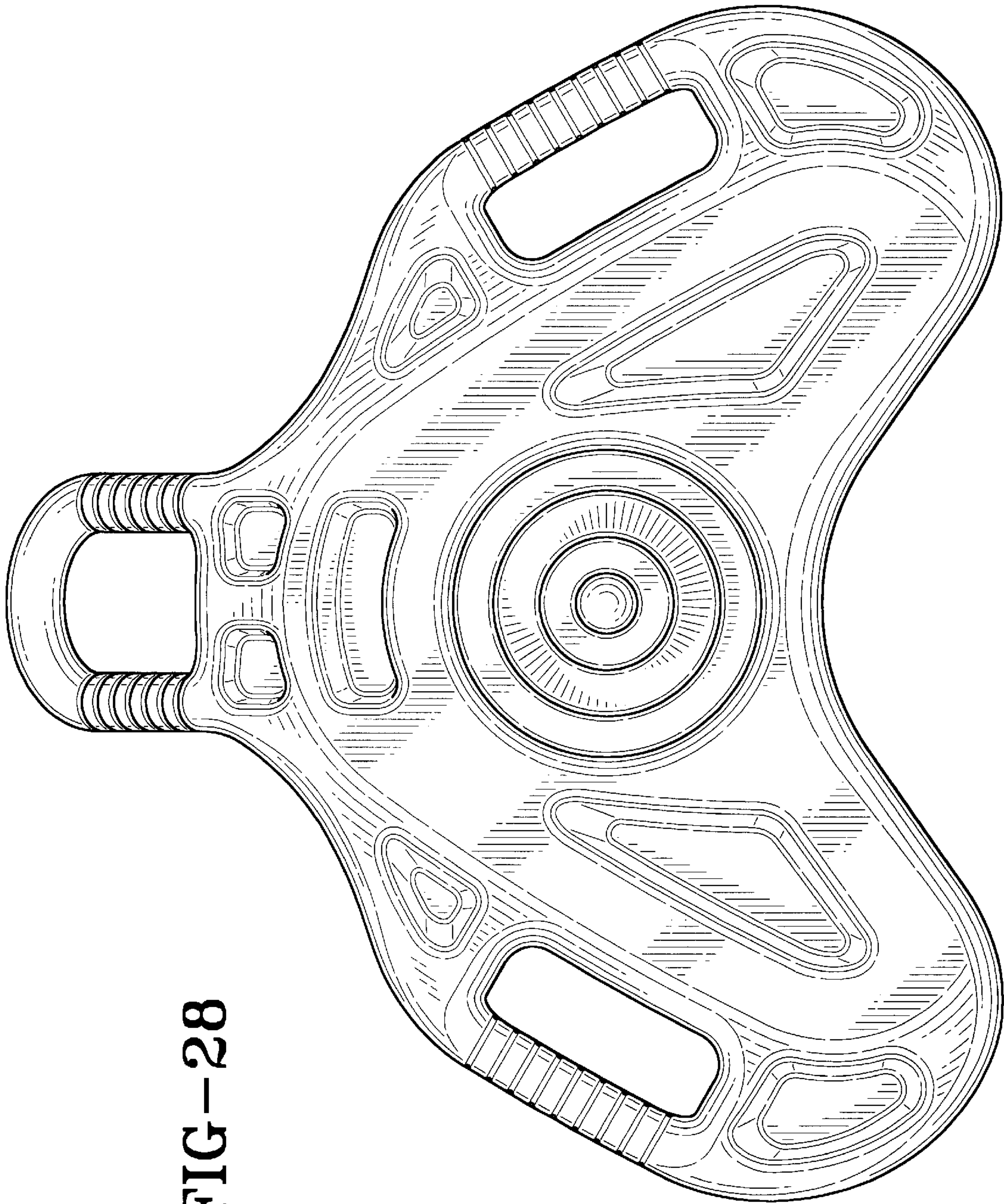


FIG-28

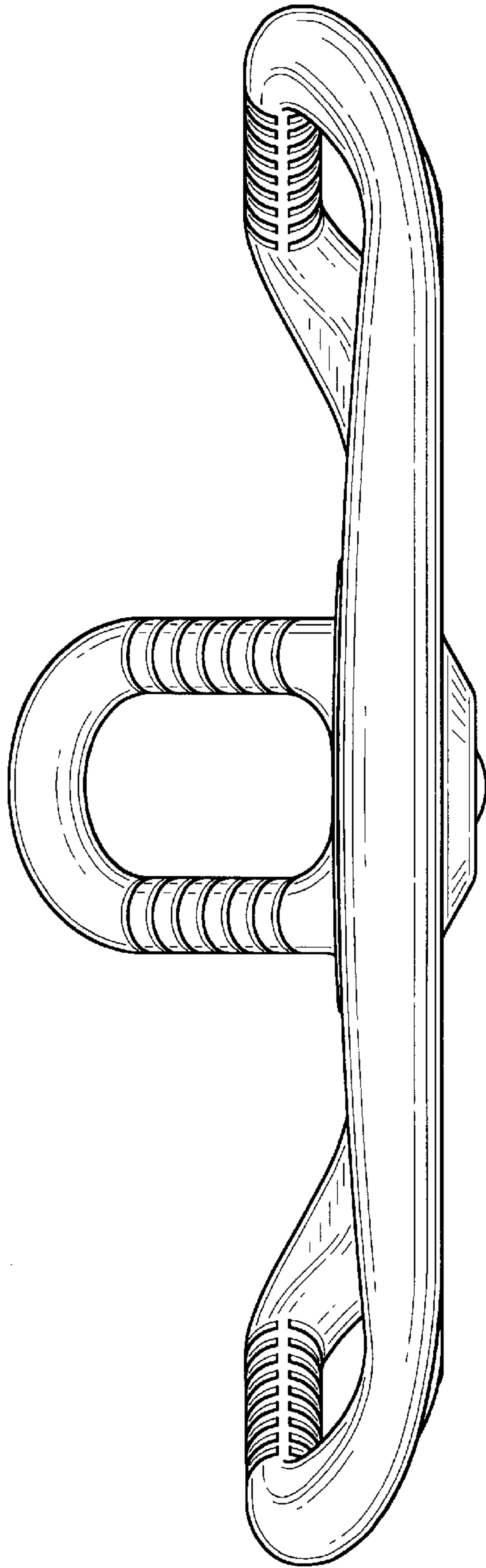


FIG-29

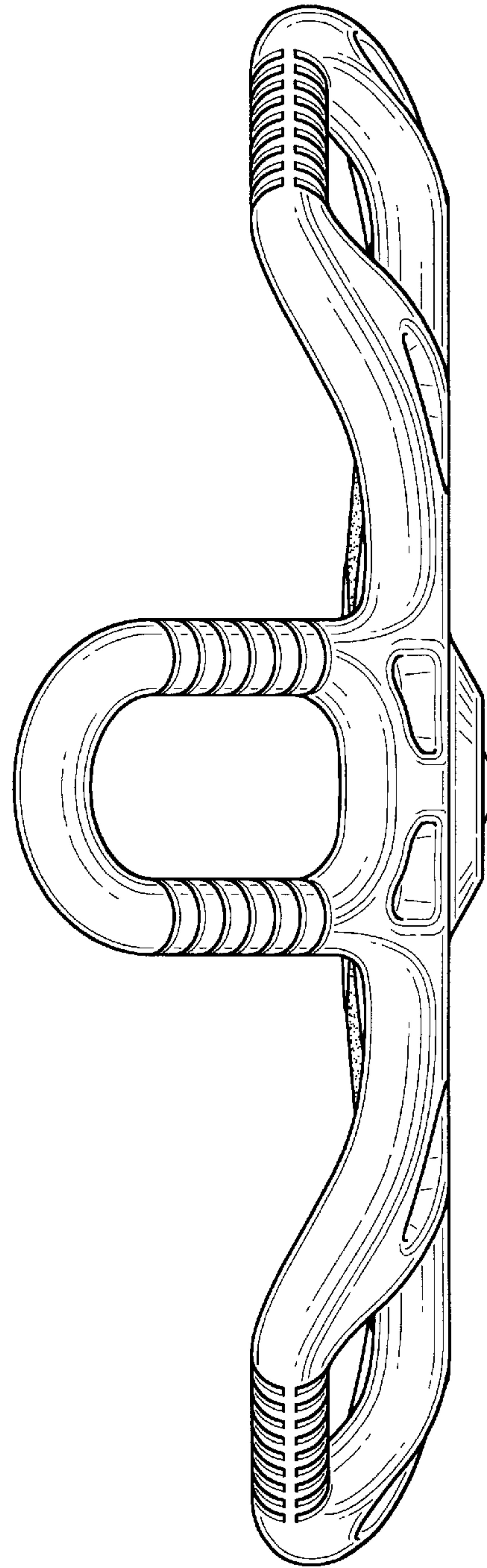


FIG-30

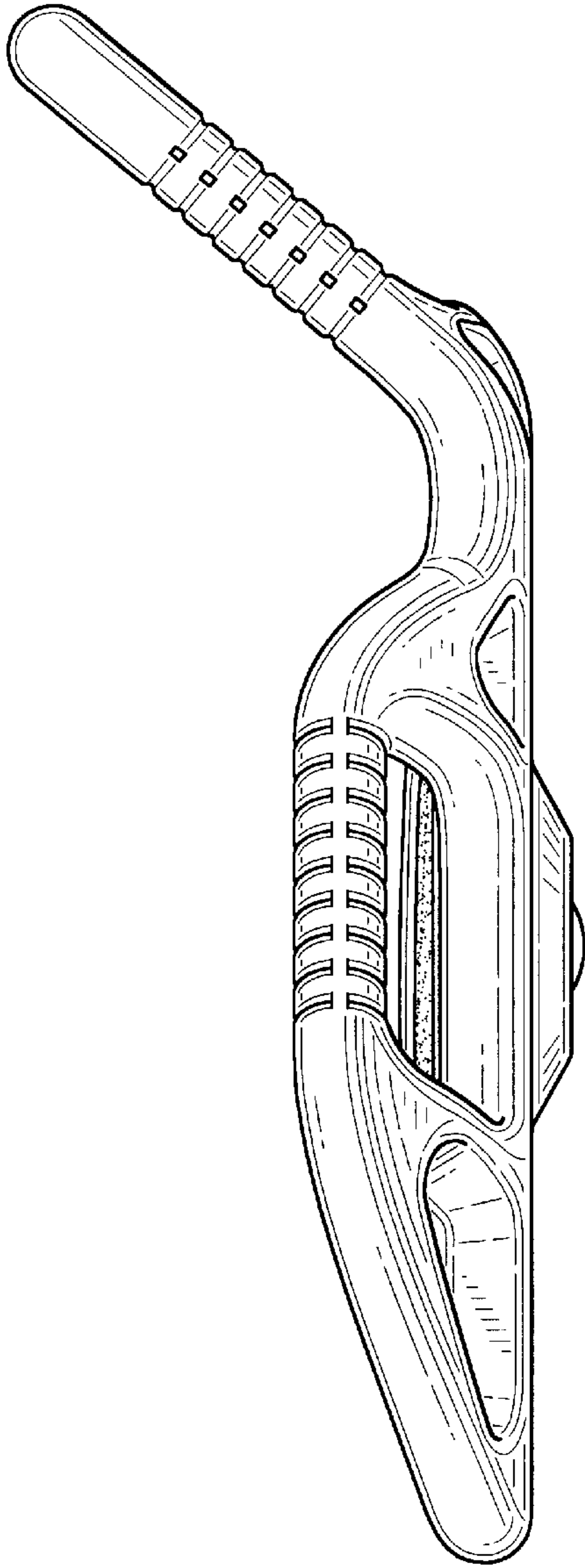


FIG-31

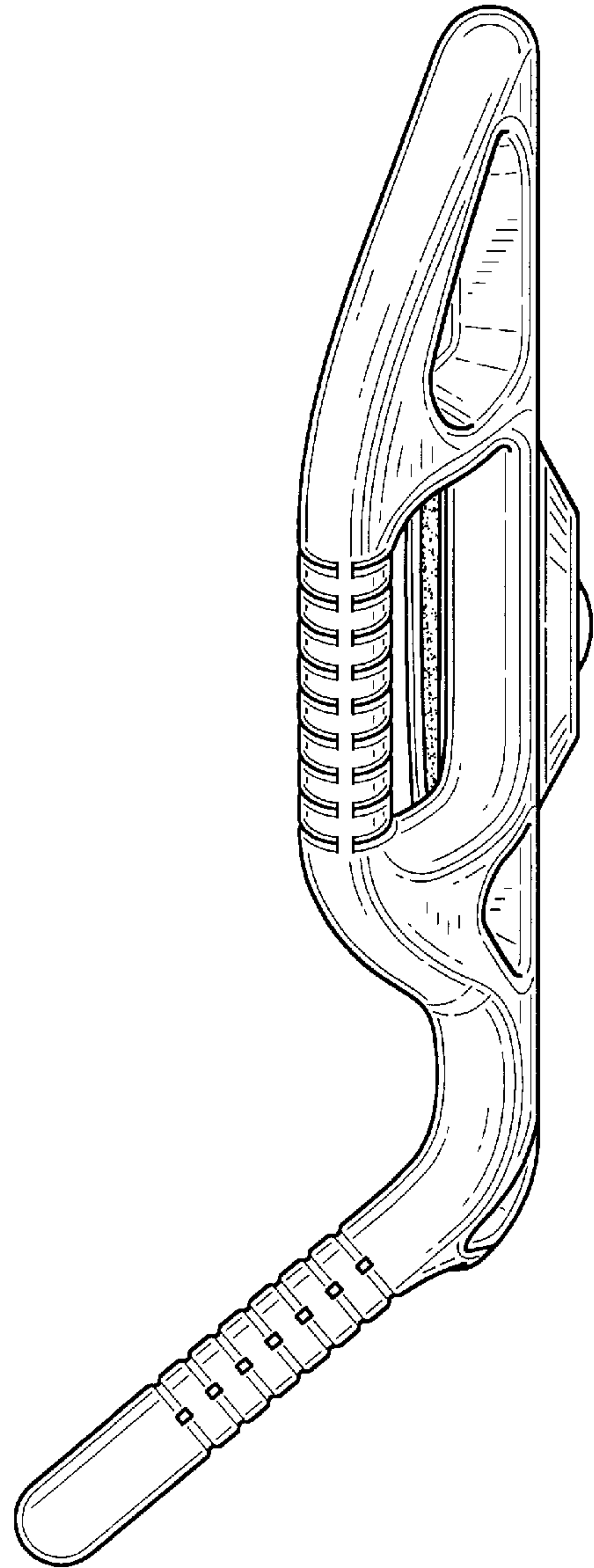


FIG-32