



US00D456083S

(12) **United States Design Patent**
Clark et al.

(10) **Patent No.: US D456,083 S**

(45) **Date of Patent: ** Apr. 23, 2002**

(54) **BLOOD GLUCOSE TEST STRIP DEVICE**

(76) Inventors: **Denise A. Clark**, 2824 Red Pine Ct., Pleasanton, CA (US) 94583; **Greg Bennett**, 700 Wessex Pl.; **William Hufford**, 1238 Elkwood Dr., both of Milpitas, CA (US) 95035

(**) Term: **14 Years**

(21) Appl. No.: **29/134,396**

(22) Filed: **Dec. 19, 2000**

(51) **LOC (7) Cl. 24-02**

(52) **U.S. Cl. D24/225**

(58) **Field of Search** D24/225, 223, D24/216; 600/368, 369, 370, 316, 322; 422/58, 55, 61, 57, 60, 56, 99, 87; 435/805, 808

(56) **References Cited**

U.S. PATENT DOCUMENTS

D218,094 S * 7/1970 Rosenfield D24/225
5,563,042 A * 10/1996 Phillips et al. 422/58
5,714,123 A * 2/1998 Sohrab 422/58

5,755,231 A * 5/1998 Krantz et al. 600/368
5,780,304 A * 7/1998 Matzinger et al. 422/82.05
5,962,333 A * 10/1999 Incorvia et al. 422/58

OTHER PUBLICATIONS

One touch™ Profile™—“Abbreviated Procedure Guide” (see step #3); LifeScan, Inc. Feb. 2000.

* cited by examiner

Primary Examiner—Ian Simmons

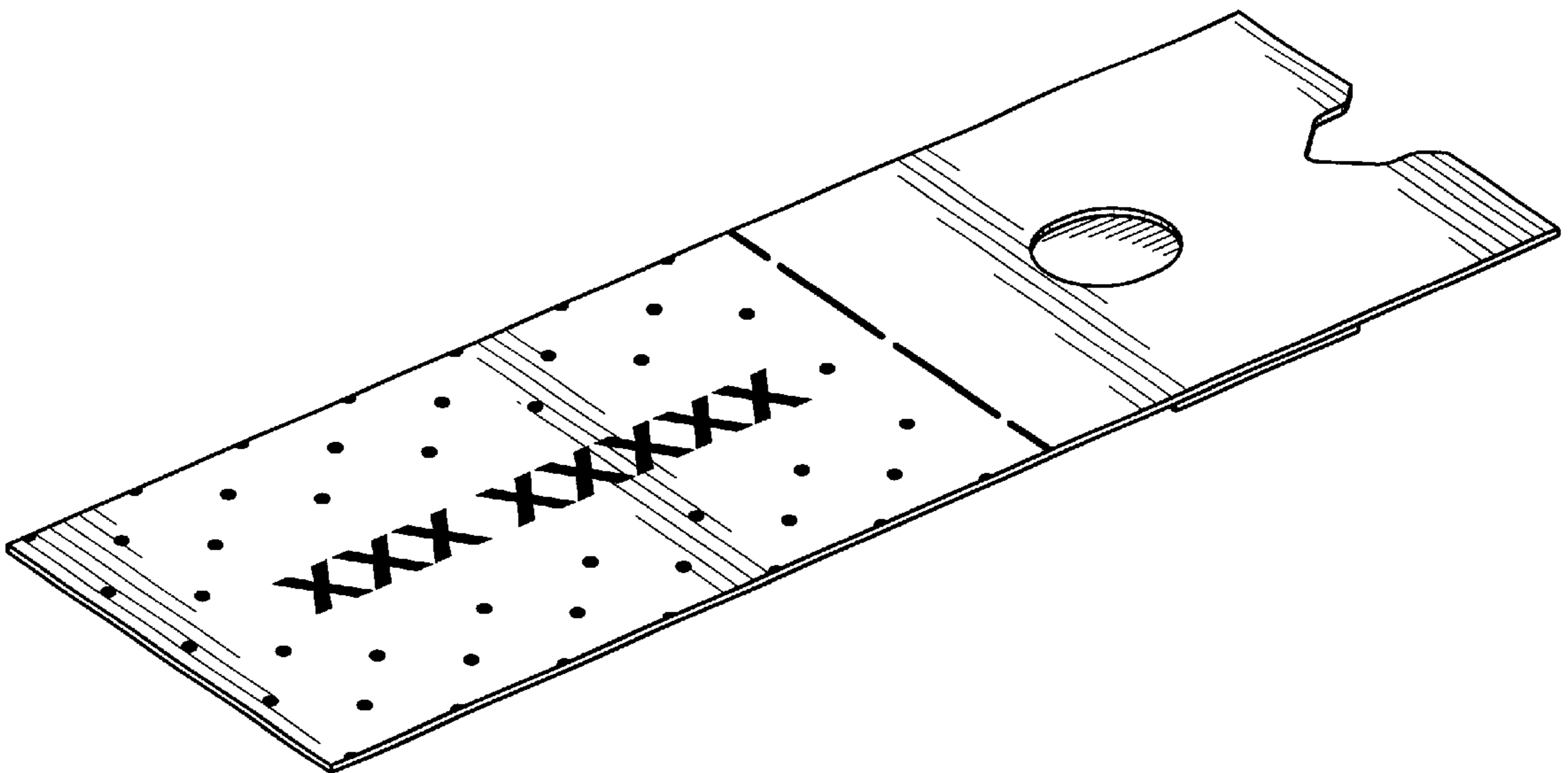
(57) **CLAIM**

The ornamental design for a blood glucose test strip device, as shown and described.

DESCRIPTION

FIG. 1 is a perspective view of the blood glucose test strip device as seen from the top, rear and right sides; FIG. 2 is a top plan view thereof; FIG. 3 is a right side elevational view thereof, the left side elevational view being a mirror image; FIG. 4 is a bottom plan view thereof; FIG. 5 is a front elevational view thereof; and, FIG. 6 is a rear elevational view thereof.

1 Claim, 2 Drawing Sheets



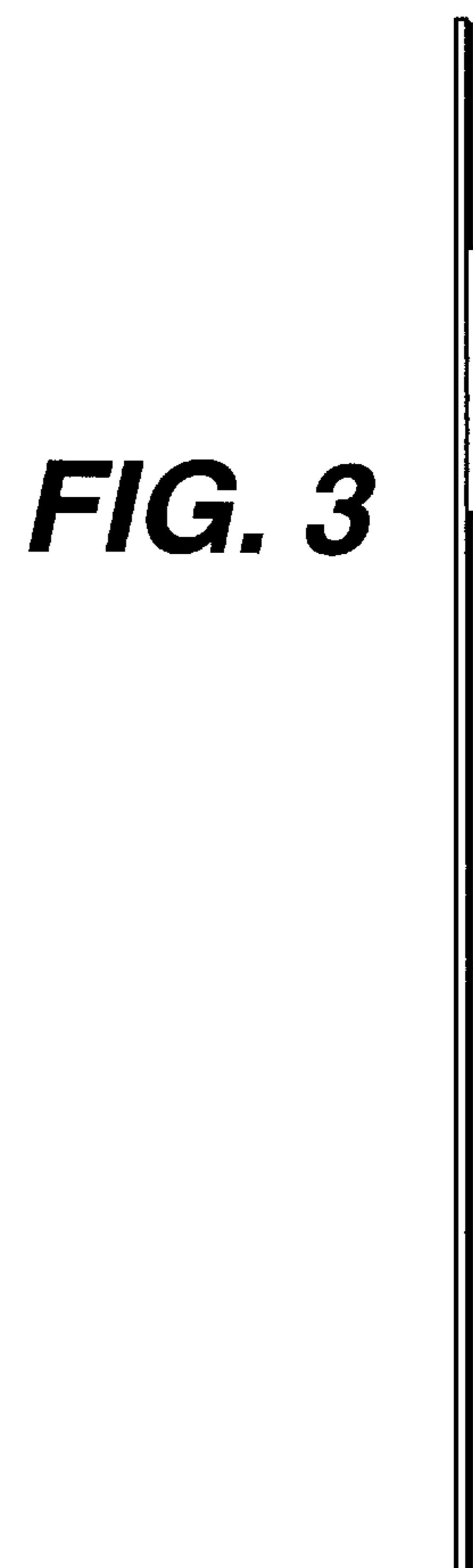
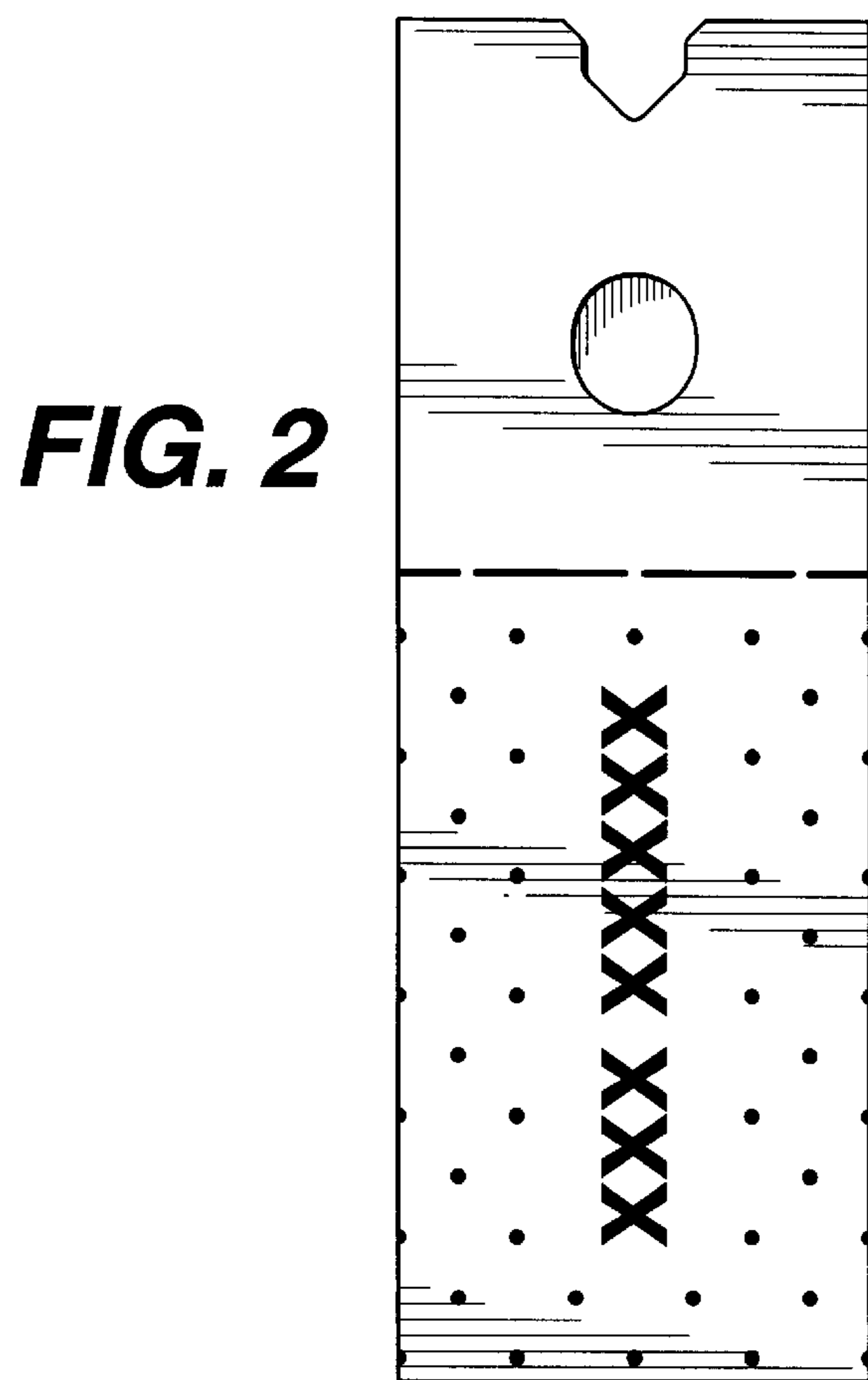
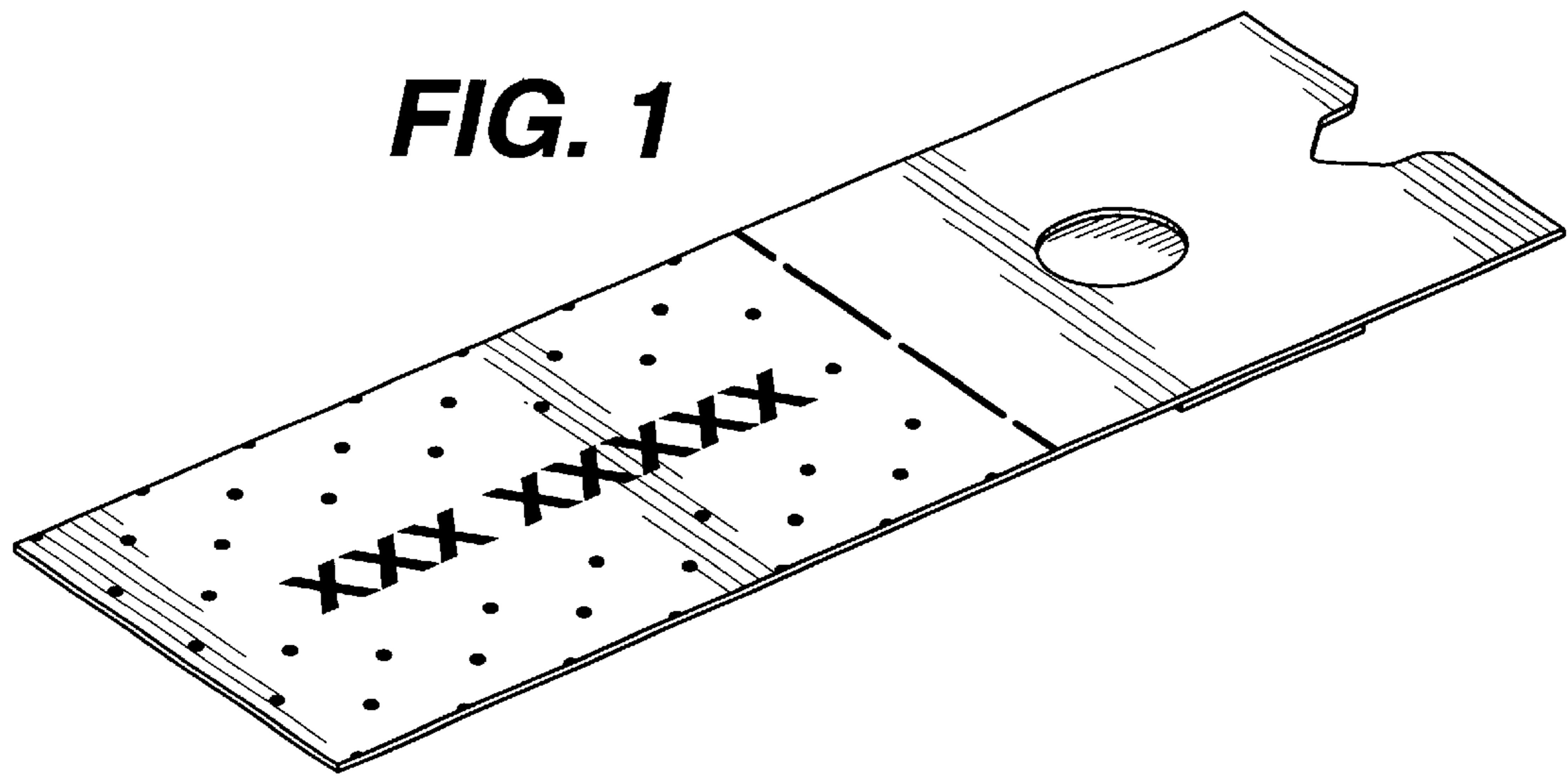


FIG. 4

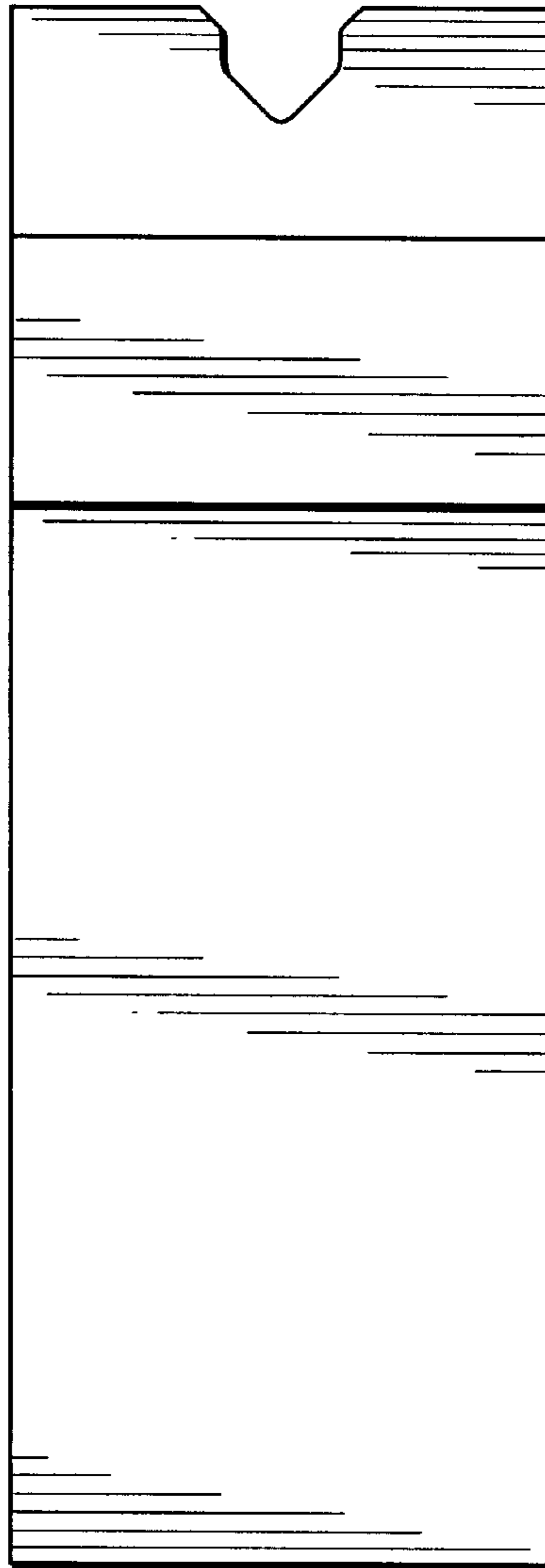


FIG. 5



FIG. 6

