



US00D456082S

(12) **United States Design Patent**
Bouse et al.

(10) **Patent No.:** **US D456,082 S**

(45) **Date of Patent:** **** Apr. 23, 2002**

(54) **LATERAL FLOW IMMUNOASSAY CASSETTE**

6,241,689 B1 * 6/2001 Chard et al. 600/584
6,316,205 B1 * 11/2001 Guan et al. 422/56

(75) Inventors: **Lee E. Bouse; Jack L. Zuidema**, both of Elkhart, IN (US)

* cited by examiner

Primary Examiner—Ian Simmons

(73) Assignee: **Bayer Corporation**, Elkhart, IN (US)

(74) *Attorney, Agent, or Firm*—Jerome L. Jeffers

(**) Term: **14 Years**

(57) **CLAIM**

(21) Appl. No.: **29/143,936**

The ornamental design for a lateral flow immunoassay cassette, as shown and described.

(22) Filed: **Jun. 25, 2001**

DESCRIPTION

(51) **LOC (7) Cl.** **24-02**

(52) **U.S. Cl.** **D24/223; D24/225**

(58) **Field of Search** D24/223, 224, D24/216, 225; 422/56, 57, 58, 68.1, 102, 55; 600/584, 573, 578

FIG. 1 is a perspective view of a cassette for a lateral flow immunoassay, in accordance with one embodiment; FIG. 2 is a top view of the cassette of FIG. 1, in accordance with one embodiment; FIG. 3 is a bottom view of the cassette of FIG. 1, in accordance with one embodiment; FIG. 4 is a first side view of the cassette of FIG. 1, in accordance with one embodiment; FIG. 5 is a second side view of the cassette of FIG. 1, in accordance with one embodiment; FIG. 6 is a front view of the cassette of FIG. 1, in accordance with one embodiment; and, FIG. 7 is a rear view of the cassette of FIG. 1, in accordance with one embodiment.

(56) **References Cited**

U.S. PATENT DOCUMENTS

- 4,943,522 A * 7/1990 Eisenger et al. 422/57
- 4,981,786 A * 1/1991 Dafforn et al. 422/58
- D328,136 S * 7/1992 Hayakawa D24/225
- D369,868 S * 5/1996 Nazareth et al. D24/225
- 5,962,336 A * 10/1999 Sun 422/56
- 6,027,943 A * 2/2000 Kang et al. 422/56
- D432,244 S * 10/2000 Anderson et al. D24/223

1 Claim, 1 Drawing Sheet

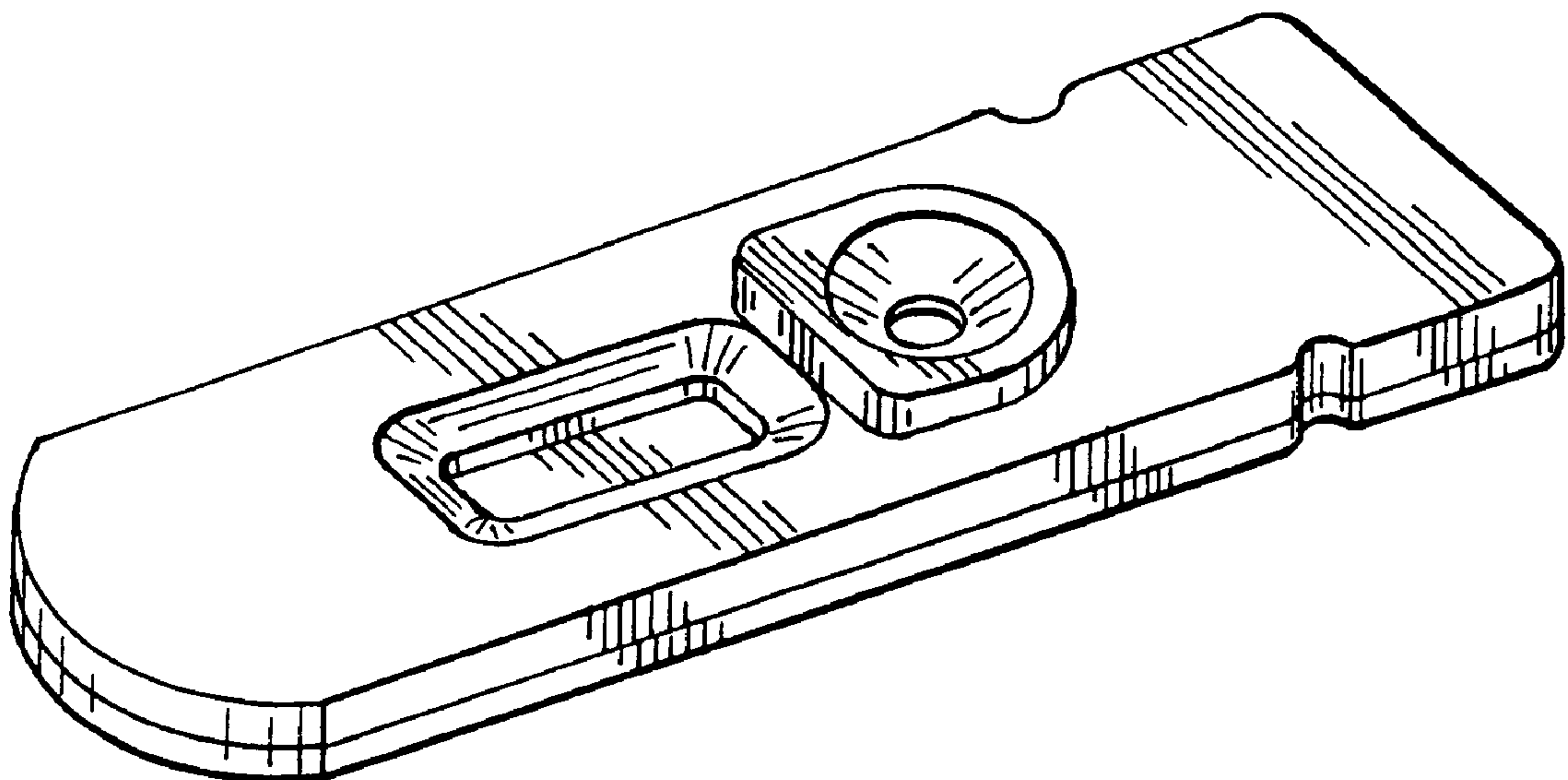


FIG.1

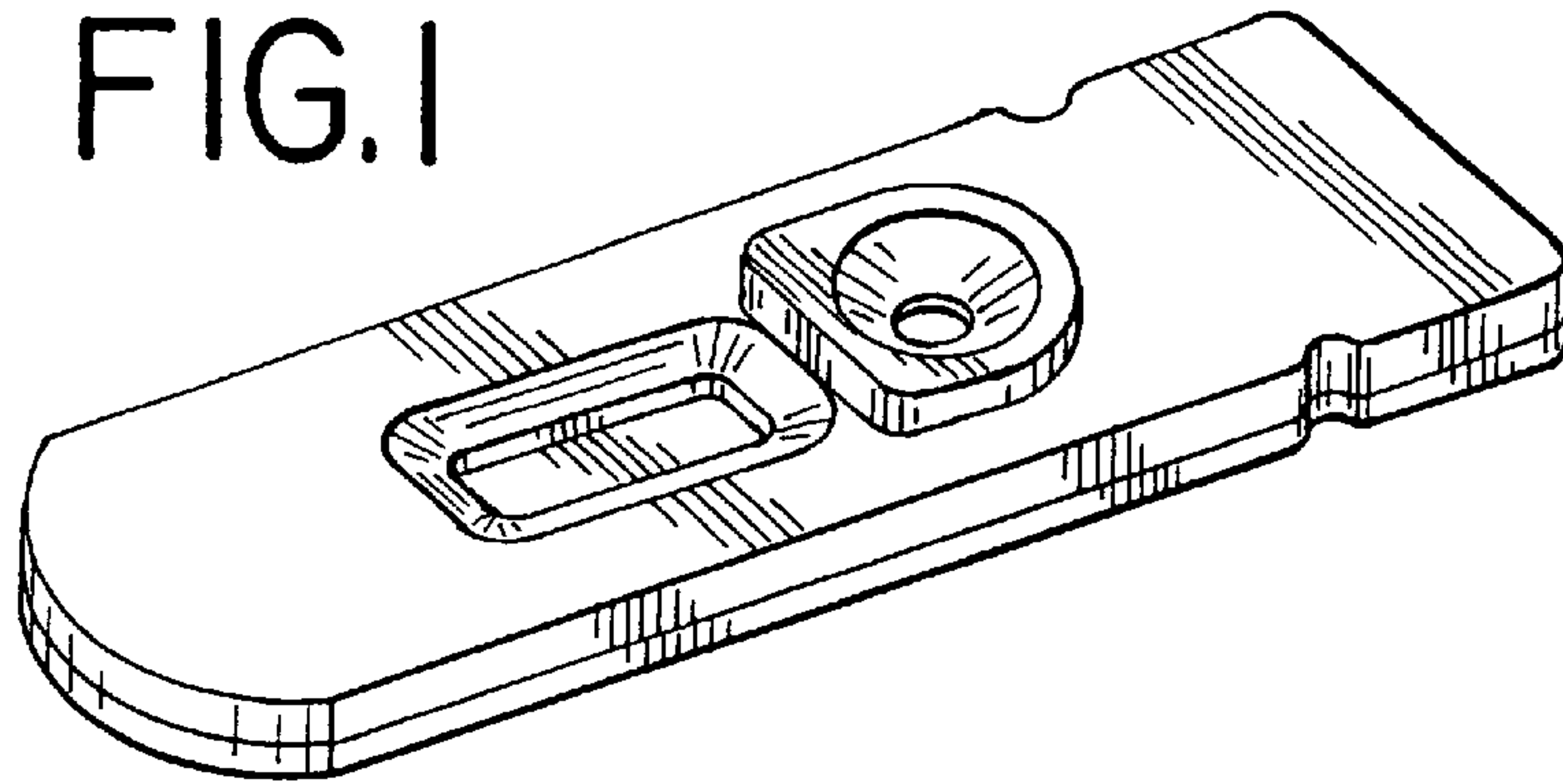


FIG.2

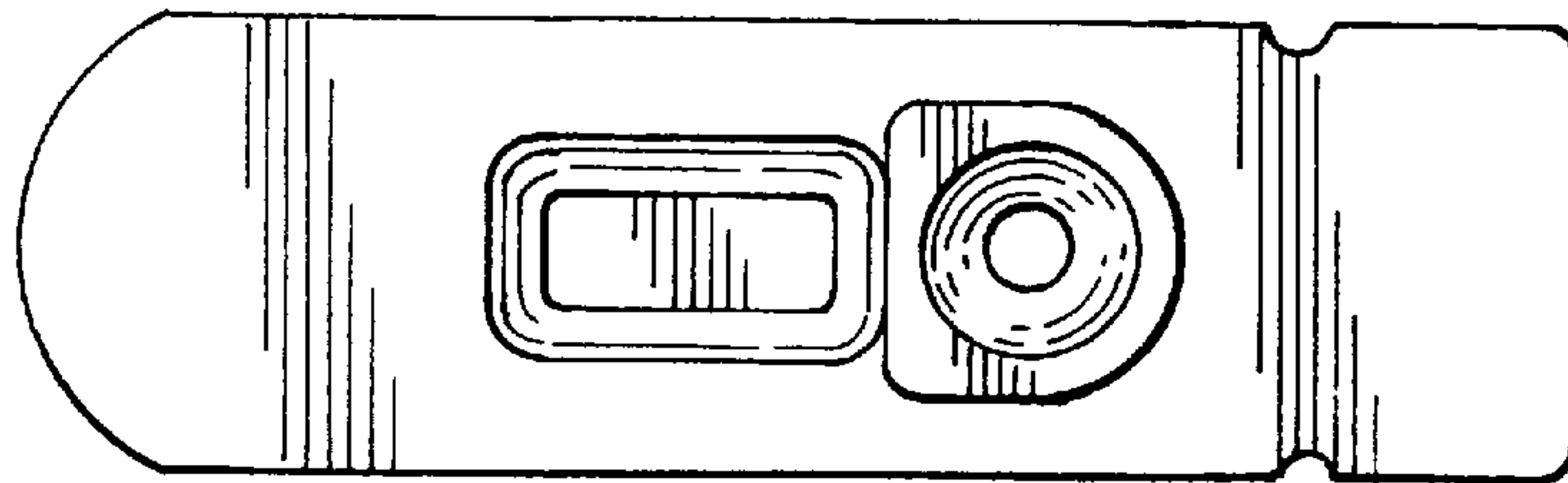


FIG.3

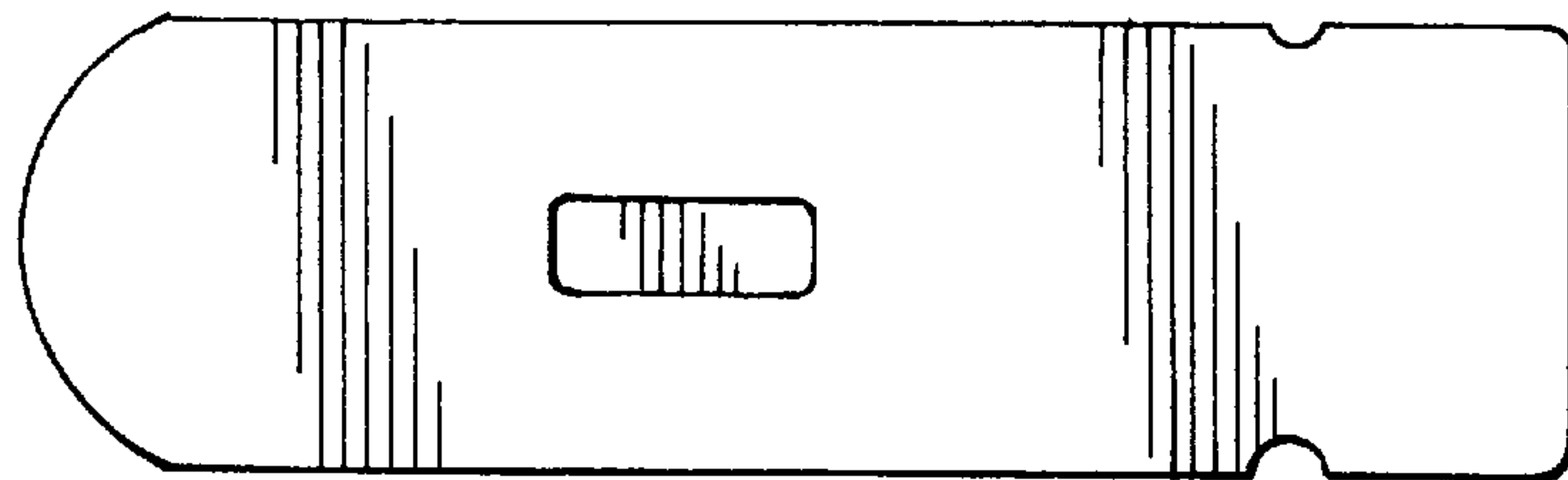


FIG.4



FIG.5



FIG.6

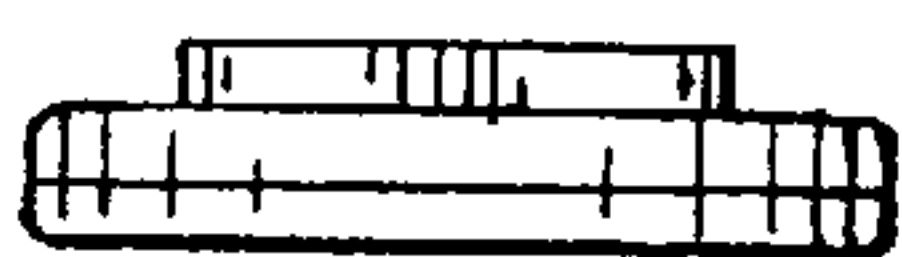


FIG.7

