



US00D456079S

(12) **United States Design Patent**
Fujii

(10) **Patent No.:** **US D456,079 S**

(45) **Date of Patent:** **** Apr. 23, 2002**

(54) **UPRIGHT MIRROR WITH A LIQUID CRYSTAL DISPLAY SCREEN**

(75) Inventor: **Minoru Fujii**, Fujimi (JP)

(73) Assignee: **CBC Kabushiki Kaisha**, Tokyo (JP)

(**) Term: **14 Years**

(21) Appl. No.: **29/132,571**

(22) Filed: **Nov. 9, 2000**

(30) **Foreign Application Priority Data**

May 17, 2000 (JP) 2000-012904

(51) **LOC (7) Cl.** **24-01**

(52) **U.S. Cl.** **D24/172**

(58) **Field of Search** D24/172; 351/246,
351/227, 222, 200

(56) **References Cited**

U.S. PATENT DOCUMENTS

- D304,615 S * 11/1989 Fischer D24/172
- D305,686 S * 1/1990 Fischer D24/172
- D330,769 S * 11/1992 Blaha et al. D24/172

5,592,248 A * 1/1997 Norton et al. 351/246

* cited by examiner

Primary Examiner—Stella Reid

(74) *Attorney, Agent, or Firm*—Frishauf, Holtz, Goodman, Langer & Chick, P.C.

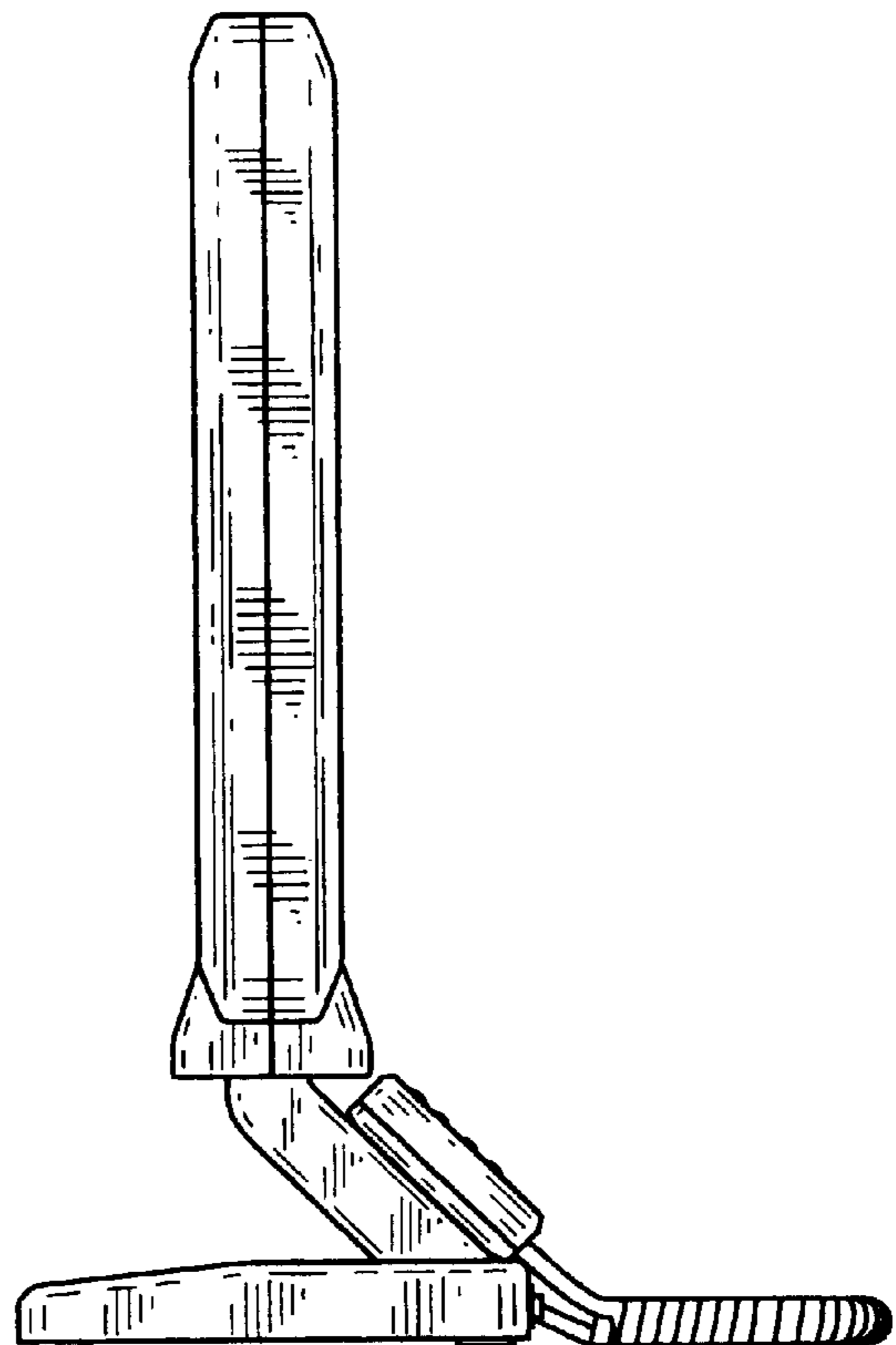
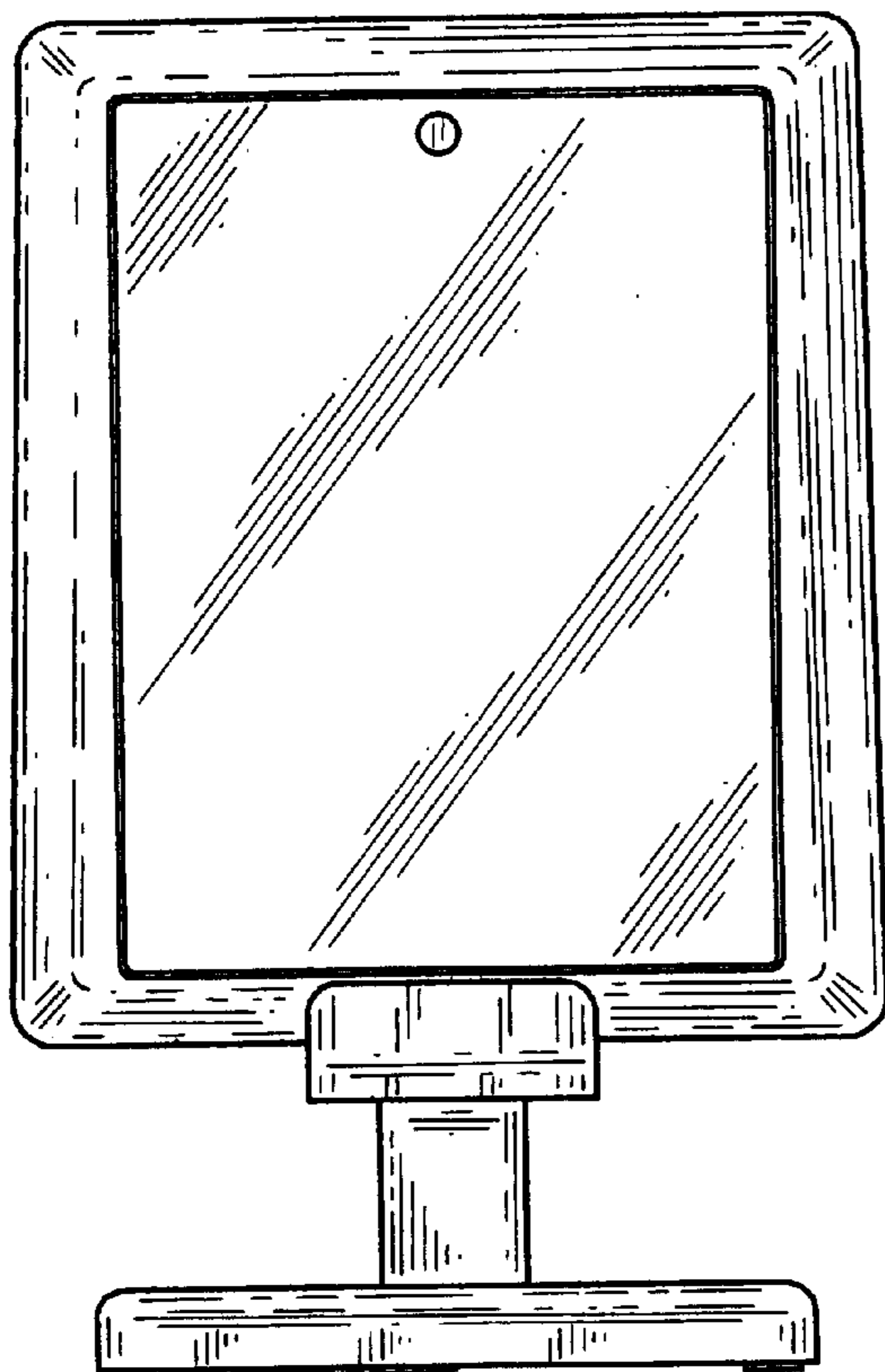
(57) **CLAIM**

The ornamental design for an upright mirror with a liquid crystal display screen, as shown and described.

DESCRIPTION

FIG. 1 is a front elevational view of an upright mirror with a liquid crystal display screen, showing my new design; FIG. 2 is a rear elevational view thereof; FIG. 3 is a top plan view thereof; FIG. 4 is a bottom plan view thereof; FIG. 5 is a right side elevational view thereof; FIG. 6 is a left side elevational view thereof; FIG. 7 is a top plan view thereof, with the display screen in turned position; and, FIG. 8 is another right side view thereof, with the display screen in a leaning position.

1 Claim, 2 Drawing Sheets



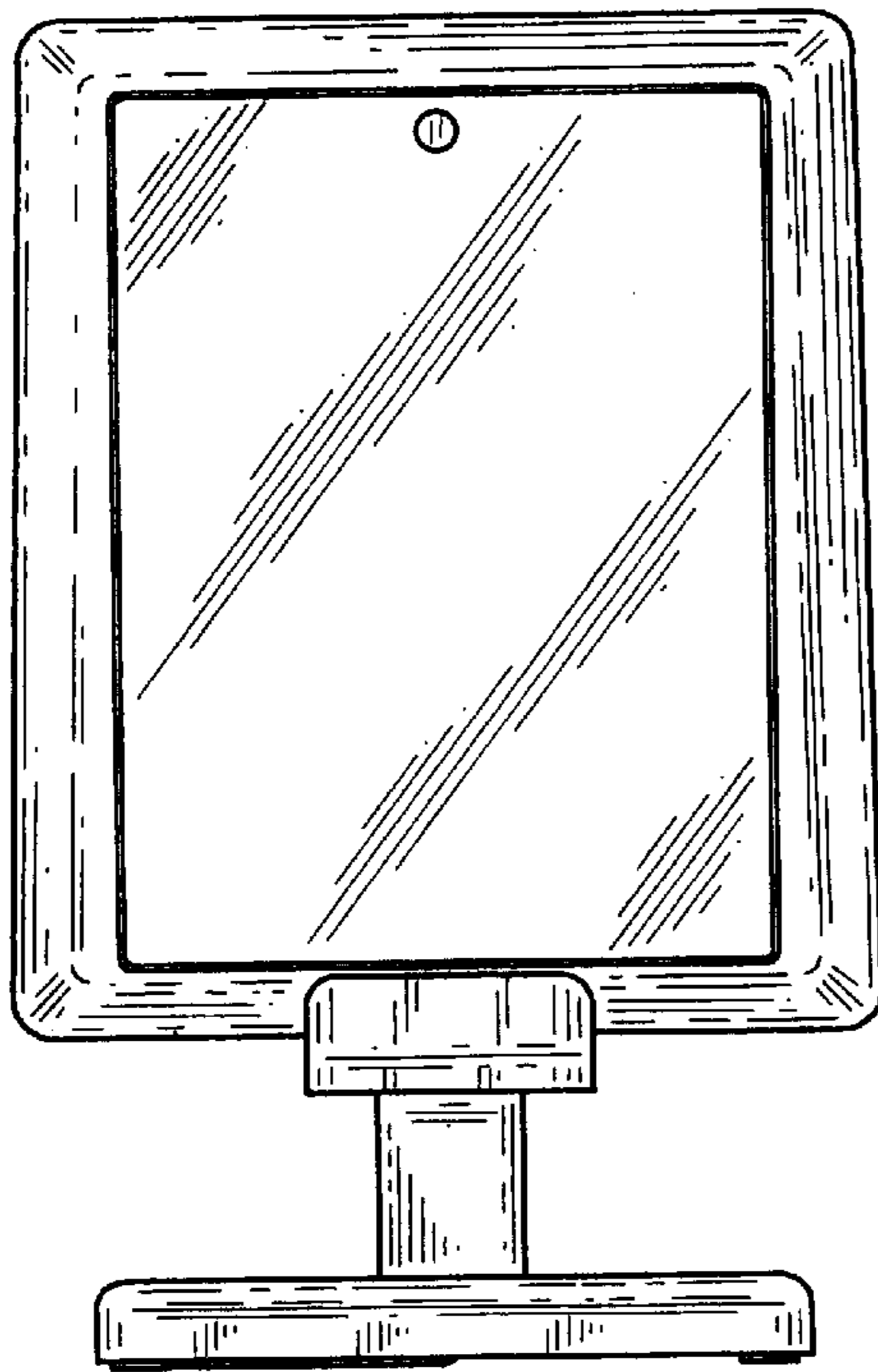


Fig. 1

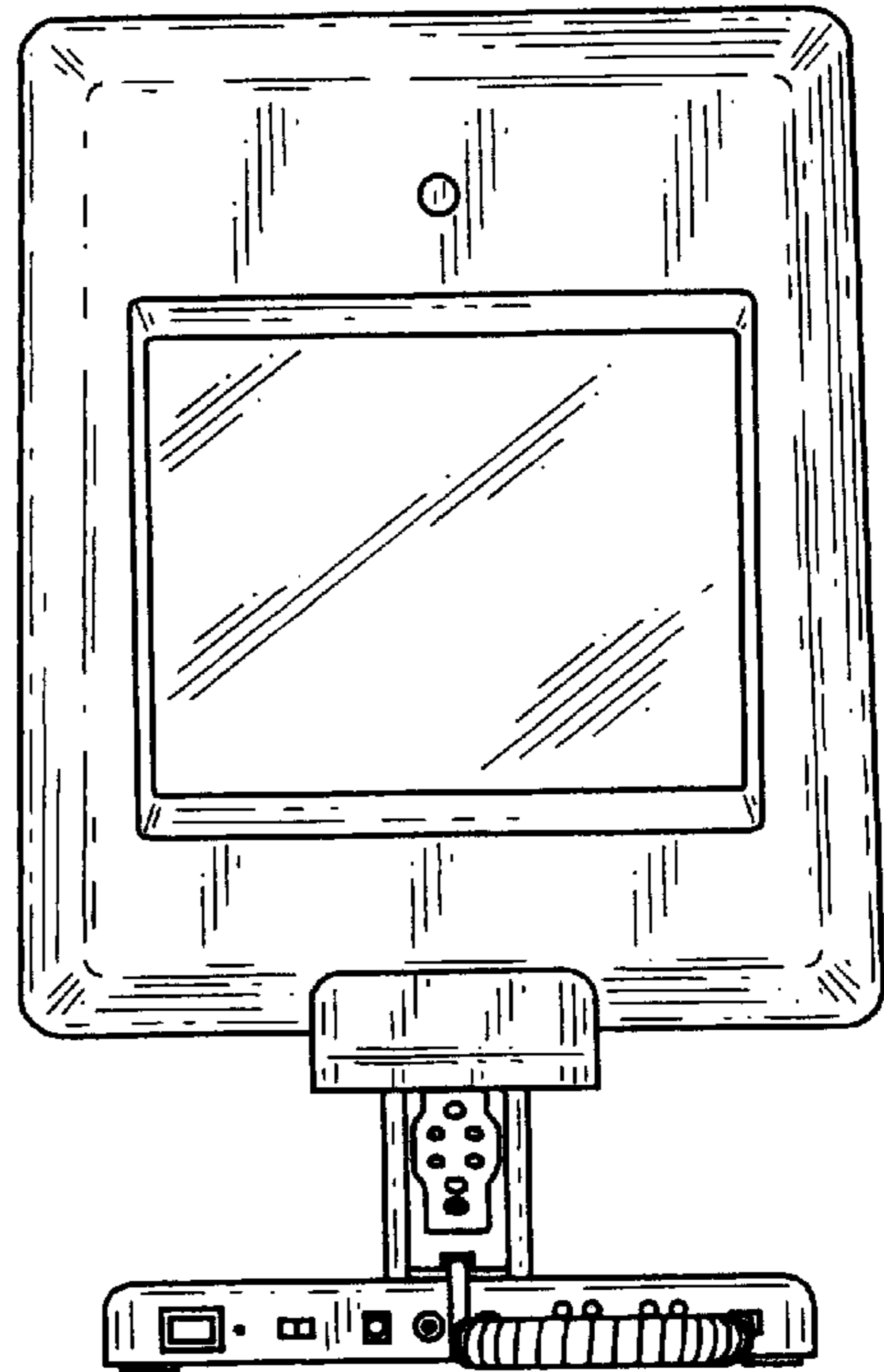


Fig. 2

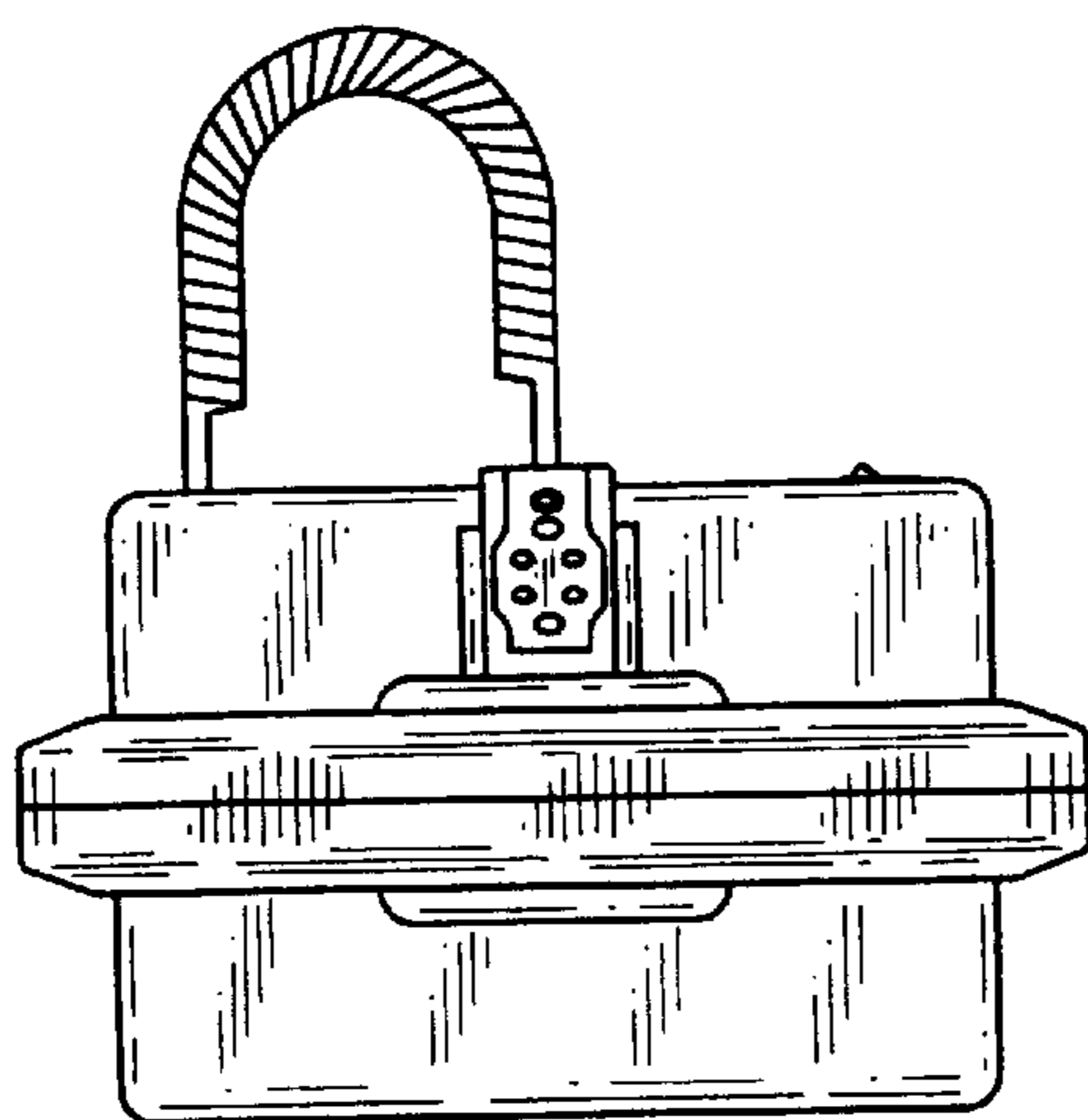


Fig. 3

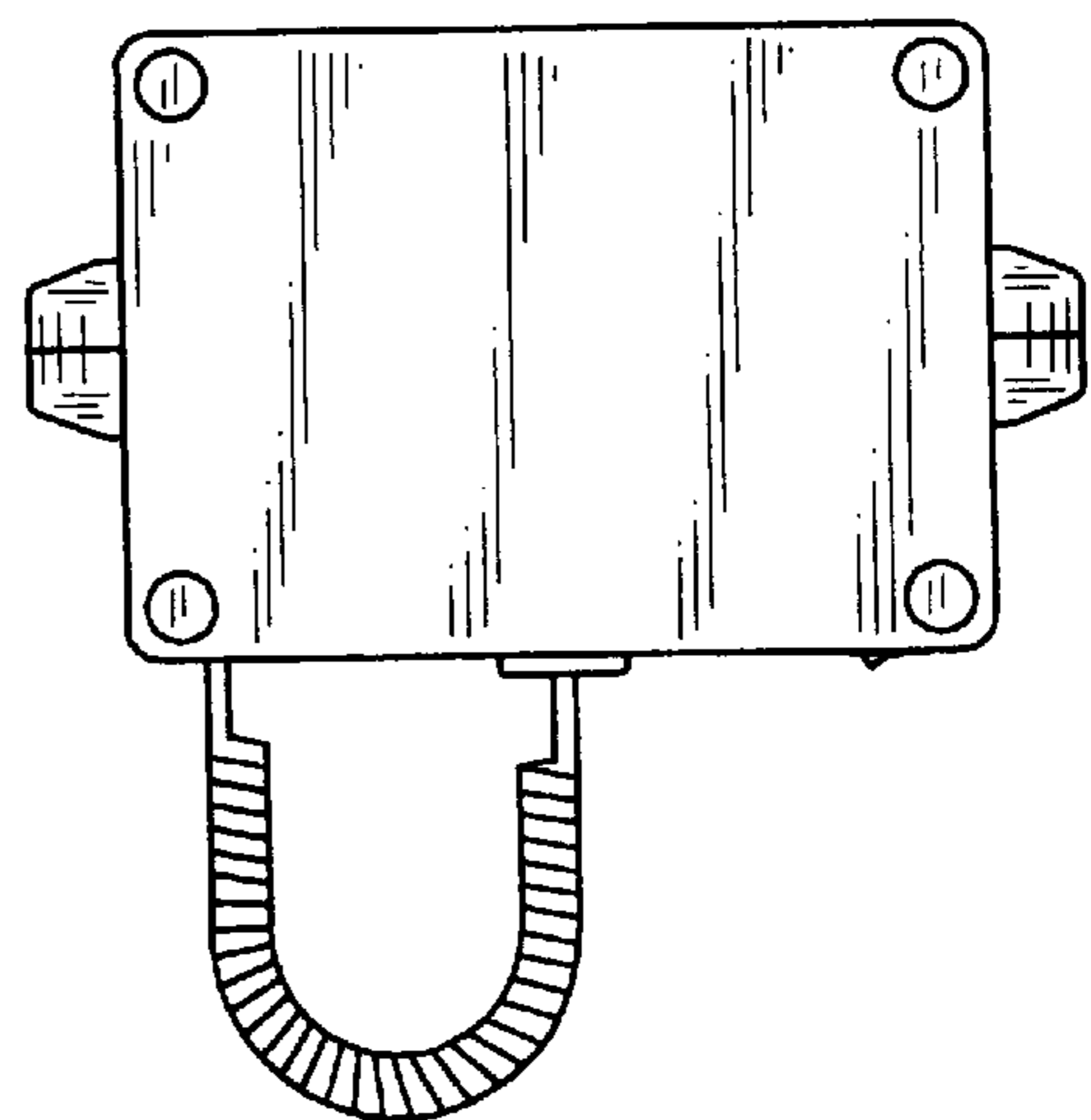


Fig. 4

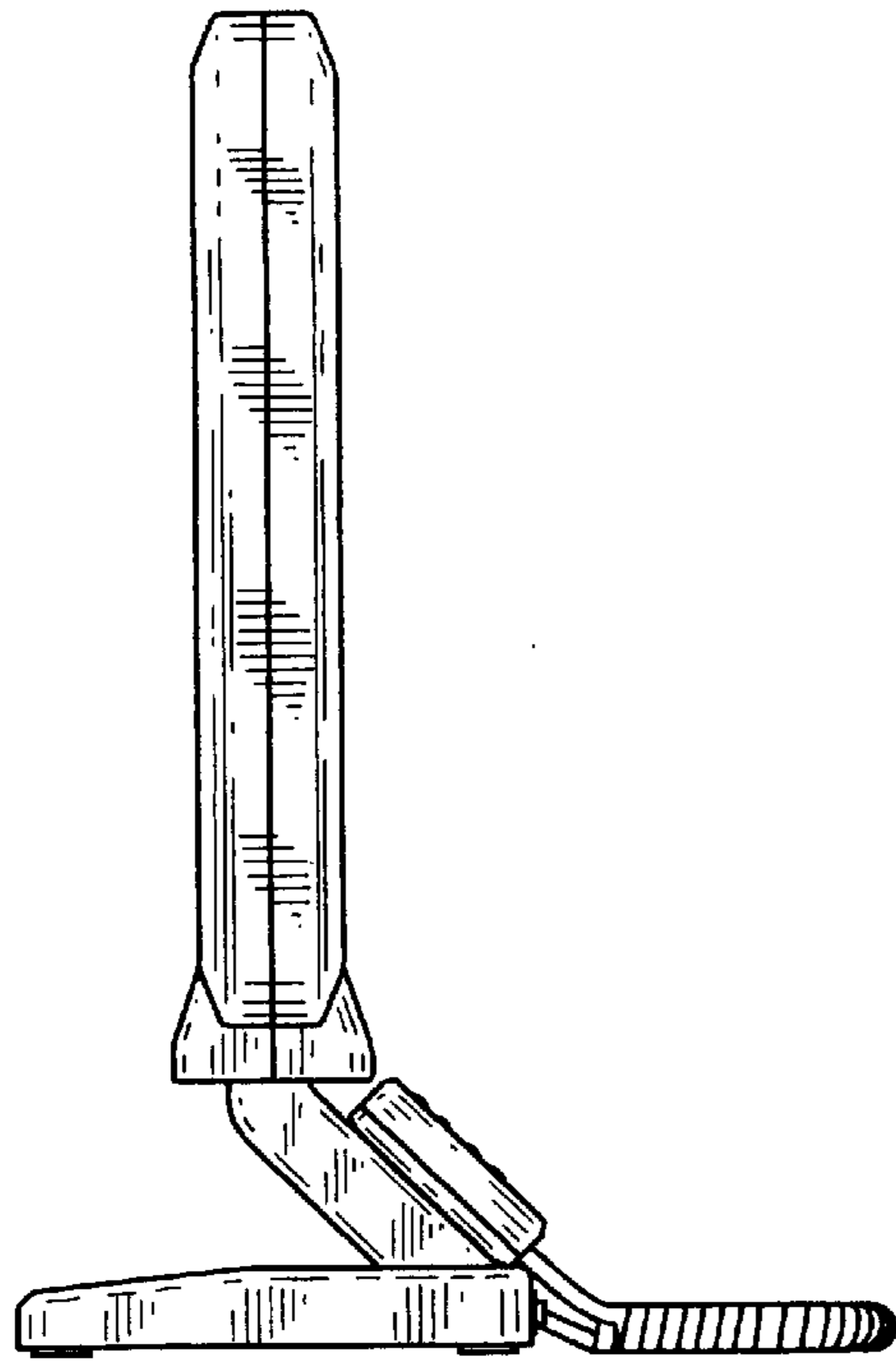


Fig. 5

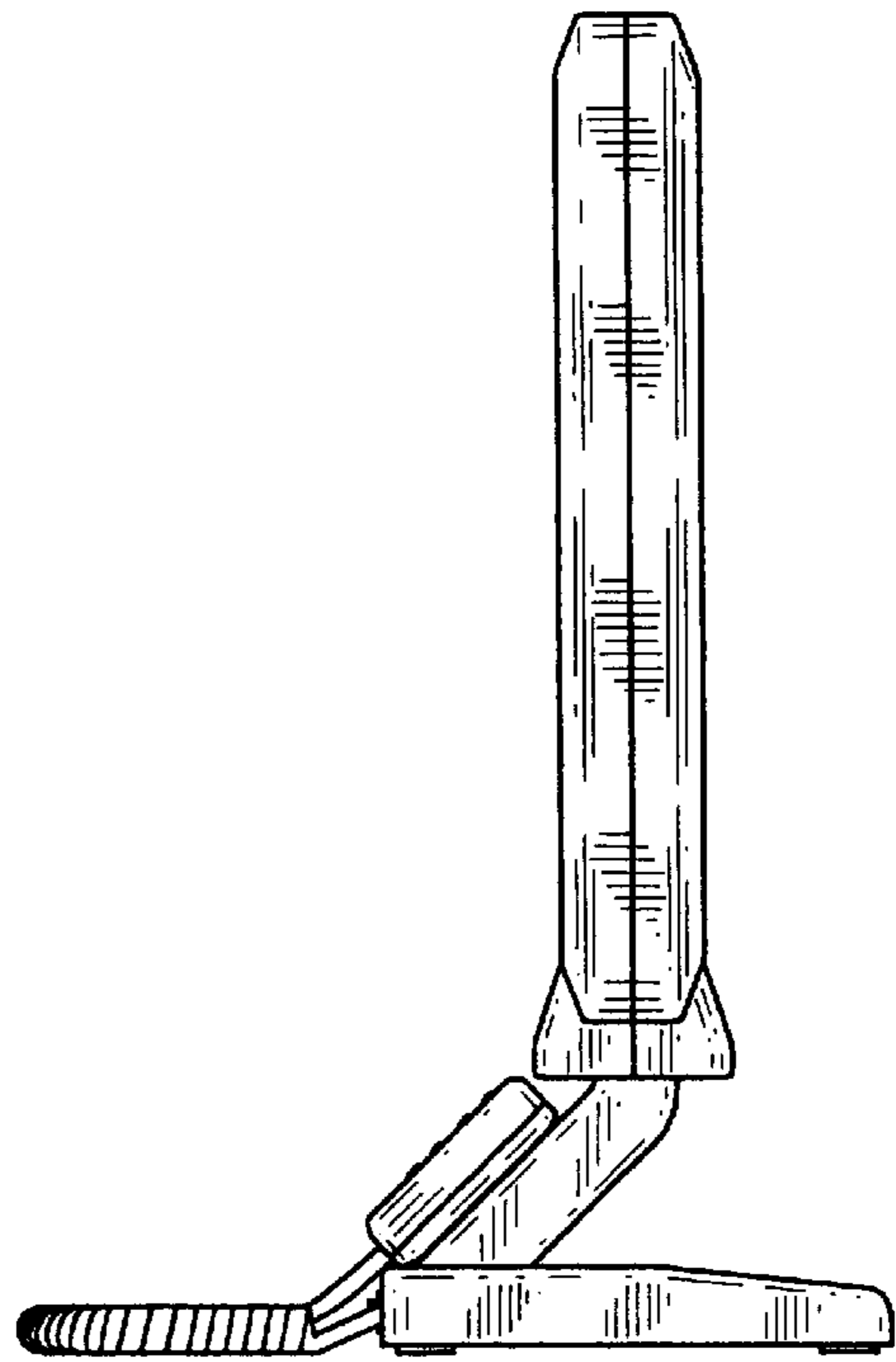


Fig. 6

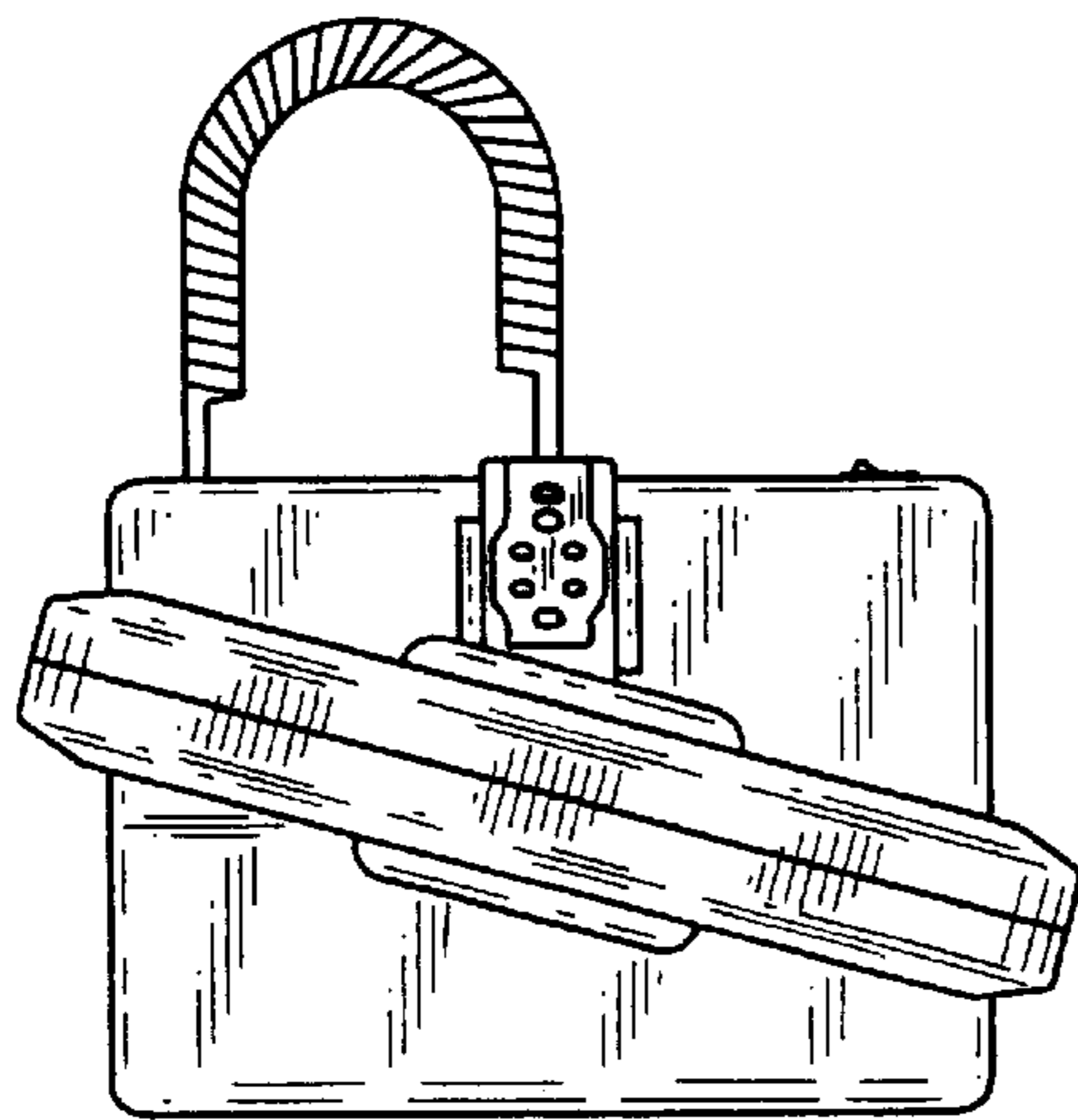


Fig. 7

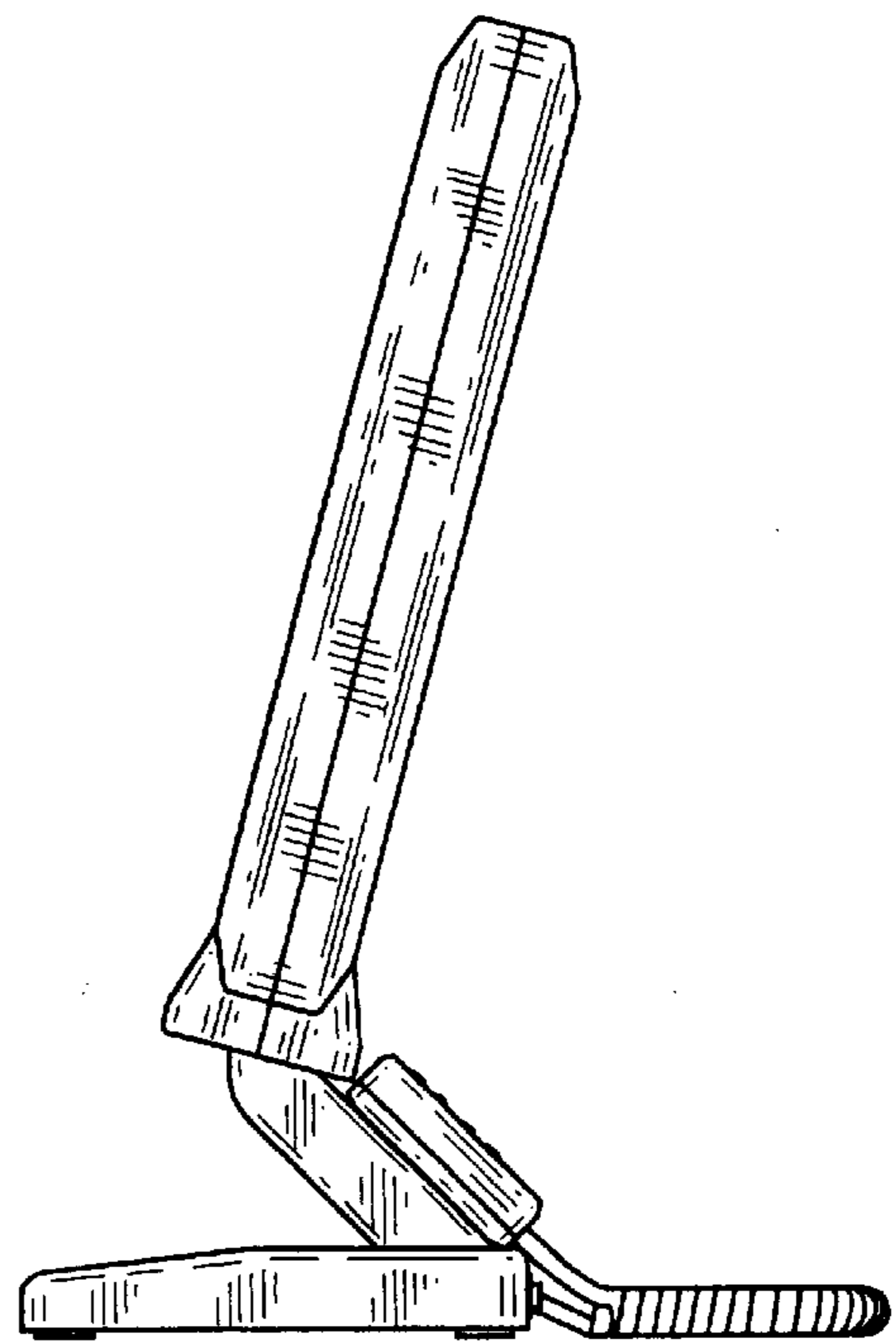


Fig. 8