



US00D456074S

(12) **United States Design Patent**
McCurry

(10) **Patent No.:** **US D456,074 S**

(45) **Date of Patent:** **** Apr. 23, 2002**

(54) **INHALATION DEVICE HOLDER**

(75) Inventor: **Michael McCurry**, Ware (GB)

(73) Assignee: **Smithkline Beecham Corporation**,
Philadelphia, PA (US)

(**) Term: **14 Years**

(21) Appl. No.: **29/121,768**

(22) Filed: **Apr. 13, 2000**

(30) **Foreign Application Priority Data**

Oct. 21, 1999 (GB) 2087566

(51) **LOC (7) Cl.** **29-02**

(52) **U.S. Cl.** **D24/110; D24/128**

(58) **Field of Search** D24/128, 110,
D24/127; D3/203; D8/395, 396; 128/200.23,
200.24, 200.16, 200.18, 200.14, 200.25;
248/229.13, 298; 224/267, 222, 250

(56) **References Cited**

U.S. PATENT DOCUMENTS

5,664,557 A * 9/1997 Makiej, Jr. 128/200.23

5,730,118 A * 3/1998 Hemanson 128/200.14

5,855,307 A * 1/1999 Biddick et al. 128/205.22

D418,600 S * 1/2000 Haerle D24/128

6,164,275 A * 12/2000 Van Iderstine 128/200.14

6,202,642 B1 * 3/2001 McKinnon et al. 128/200.23

* cited by examiner

Primary Examiner—Ian Simmons

(74) *Attorney, Agent, or Firm*—James P. Riek

(57) **CLAIM**

The ornamental design for an inhalation device holder, as shown and described.

DESCRIPTION

FIG. 1 is a front view of the inhalation device holder of our new design;

FIG. 2 is a rear view;

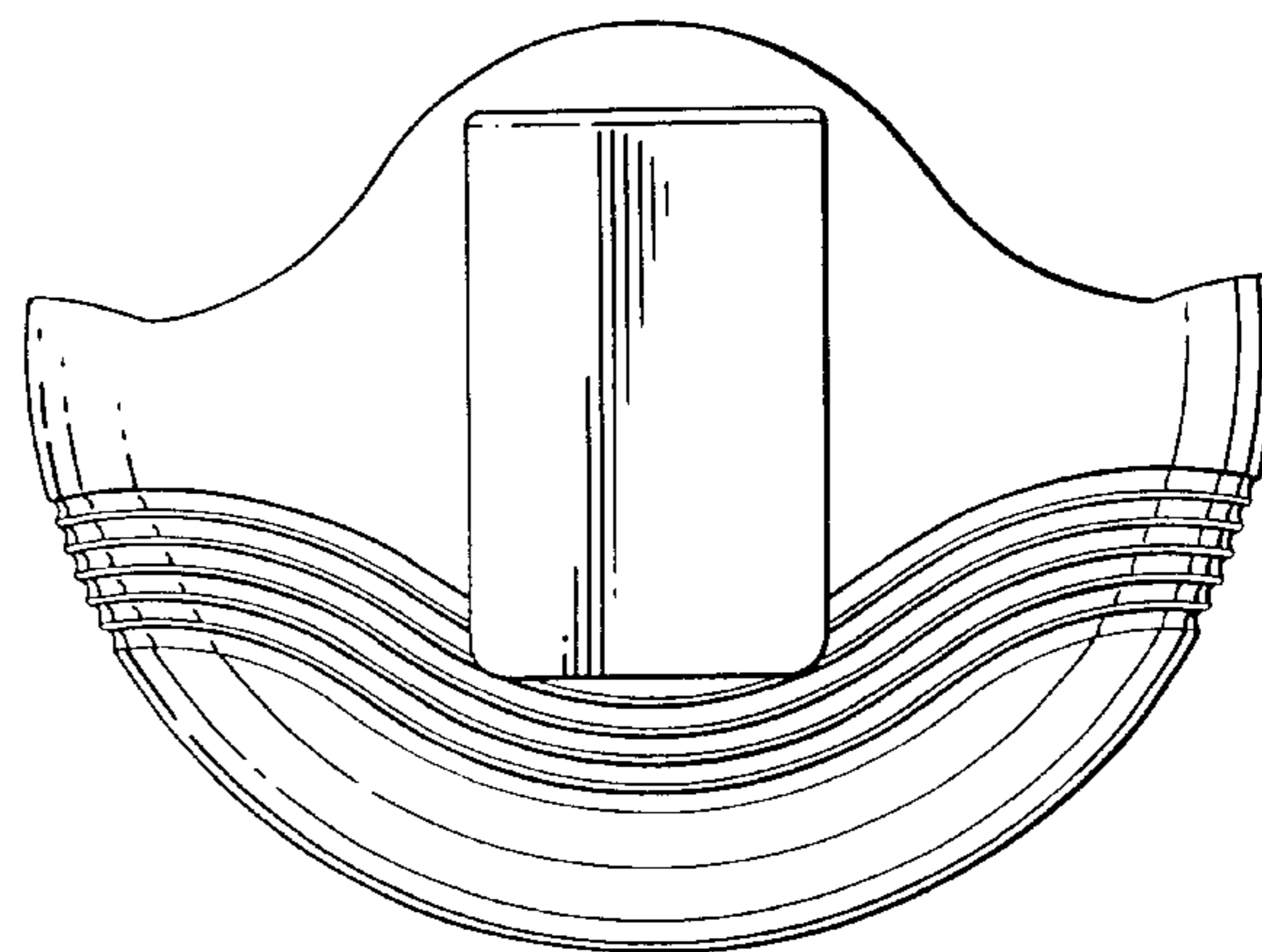
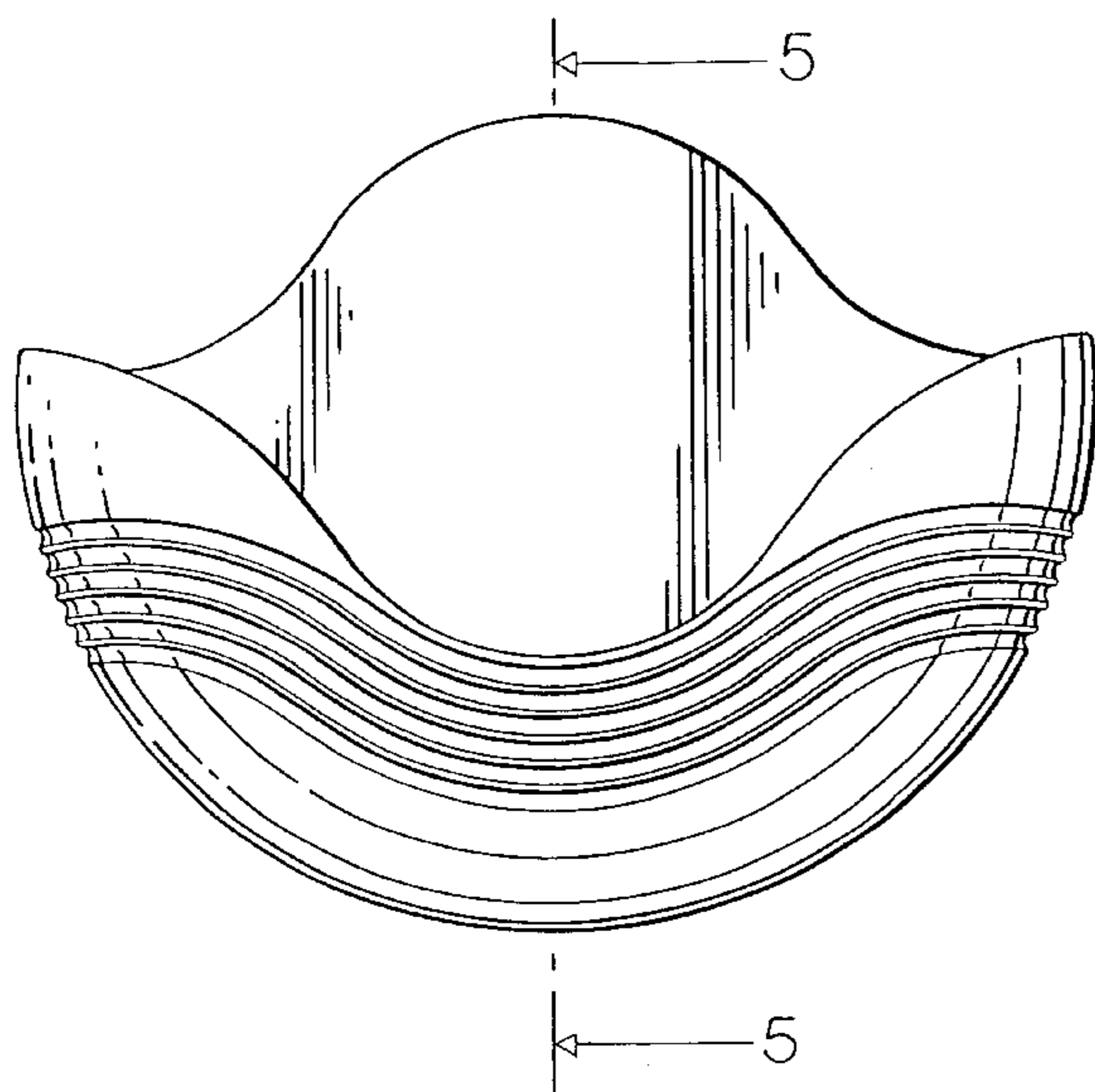
FIG. 3 is a side view;

FIG. 4 is a top plan view

FIG. 5 is a cross-sectional view thereof, taken along the line 5—5 of FIG. 1; and,

FIG. 6 is a cross-sectional view thereof, taken along the line 6—6 of FIG. 4.

1 Claim, 3 Drawing Sheets



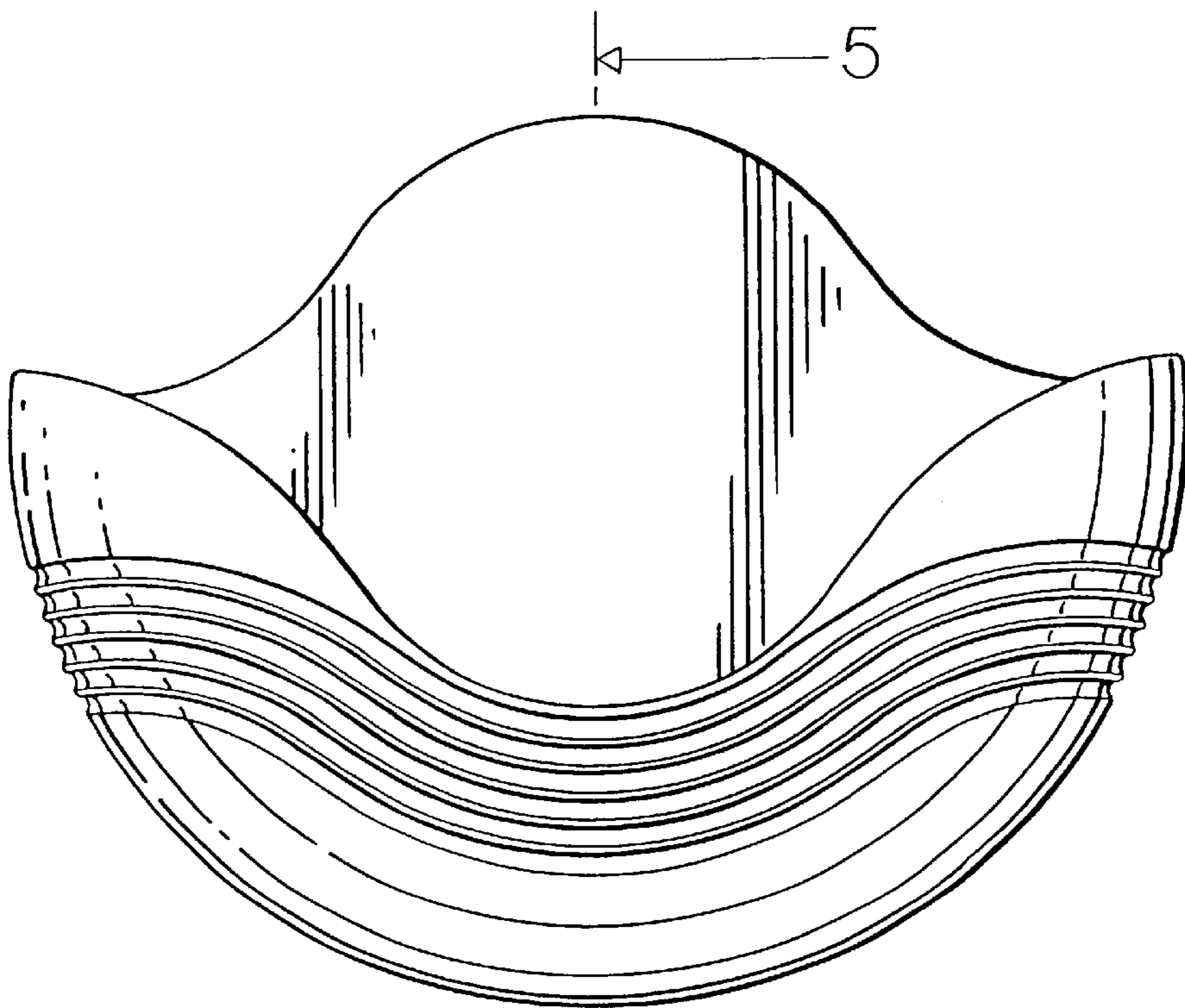


FIG. 1.

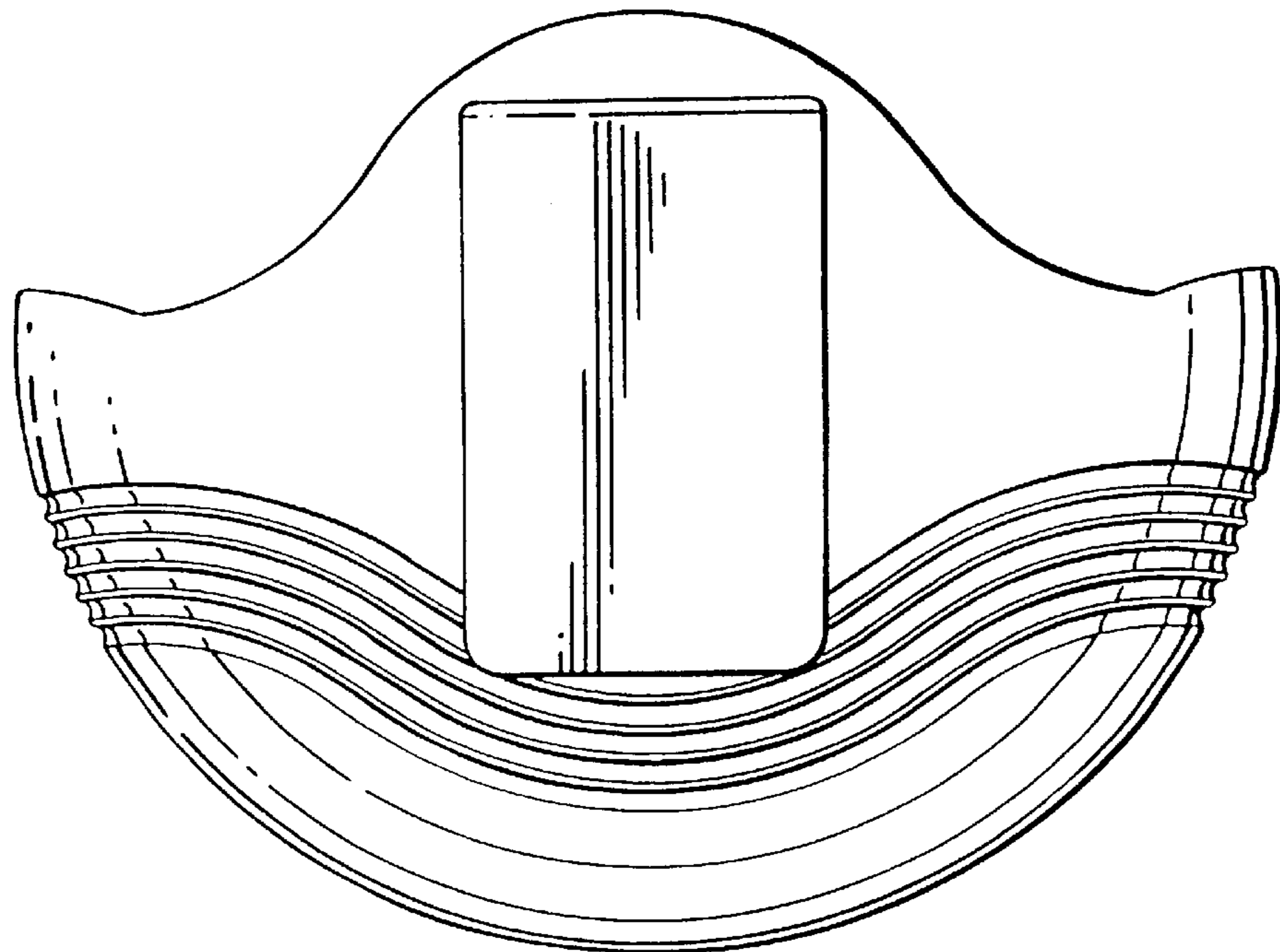
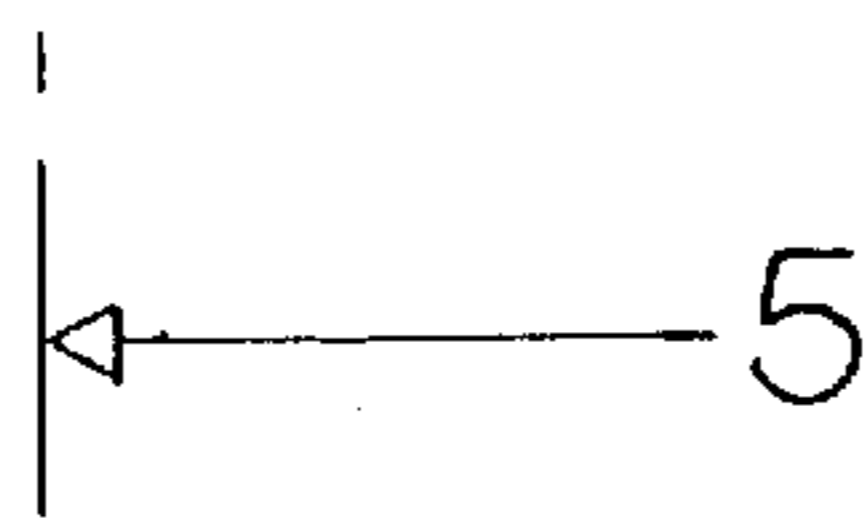


FIG. 2.

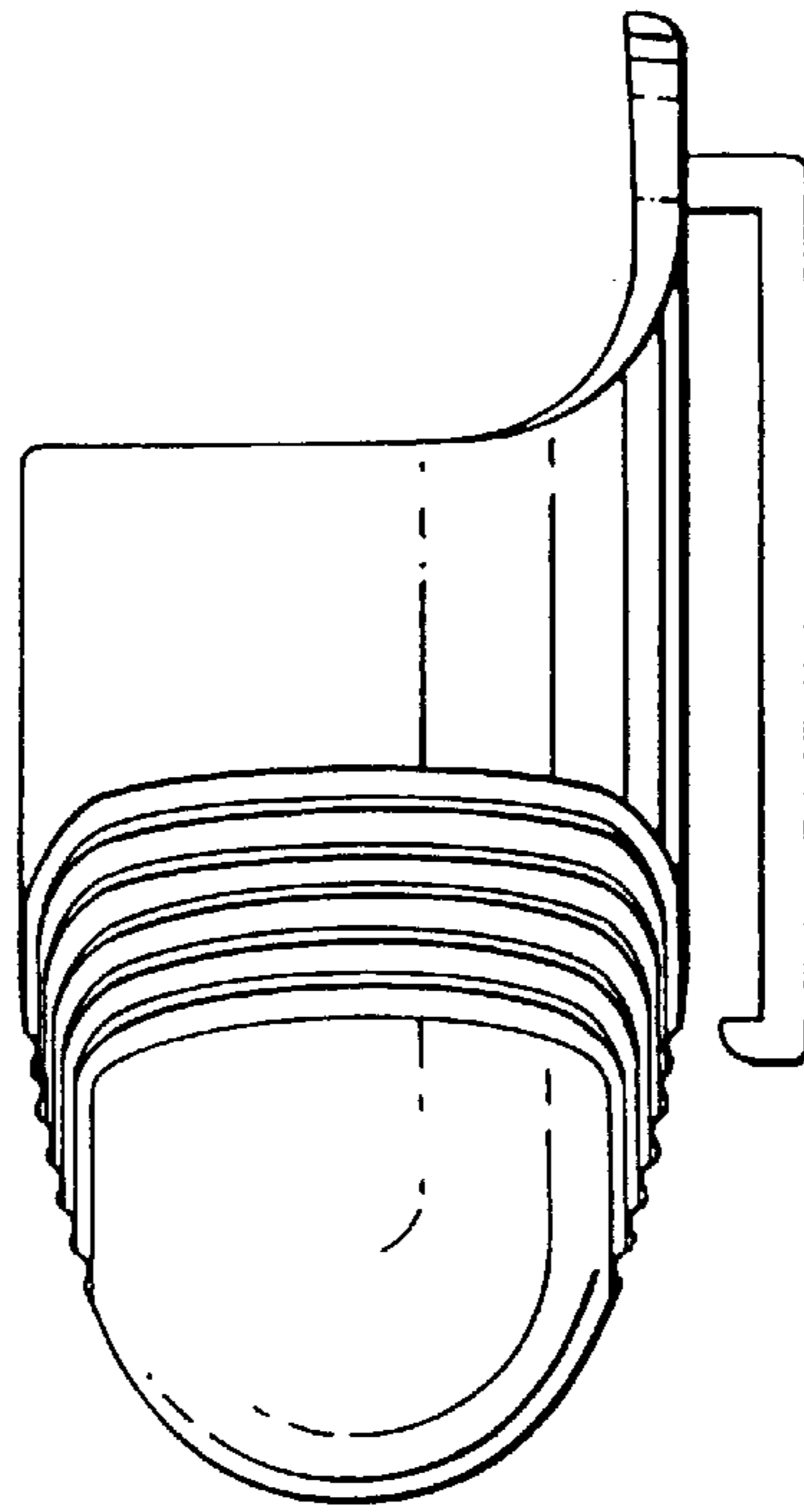
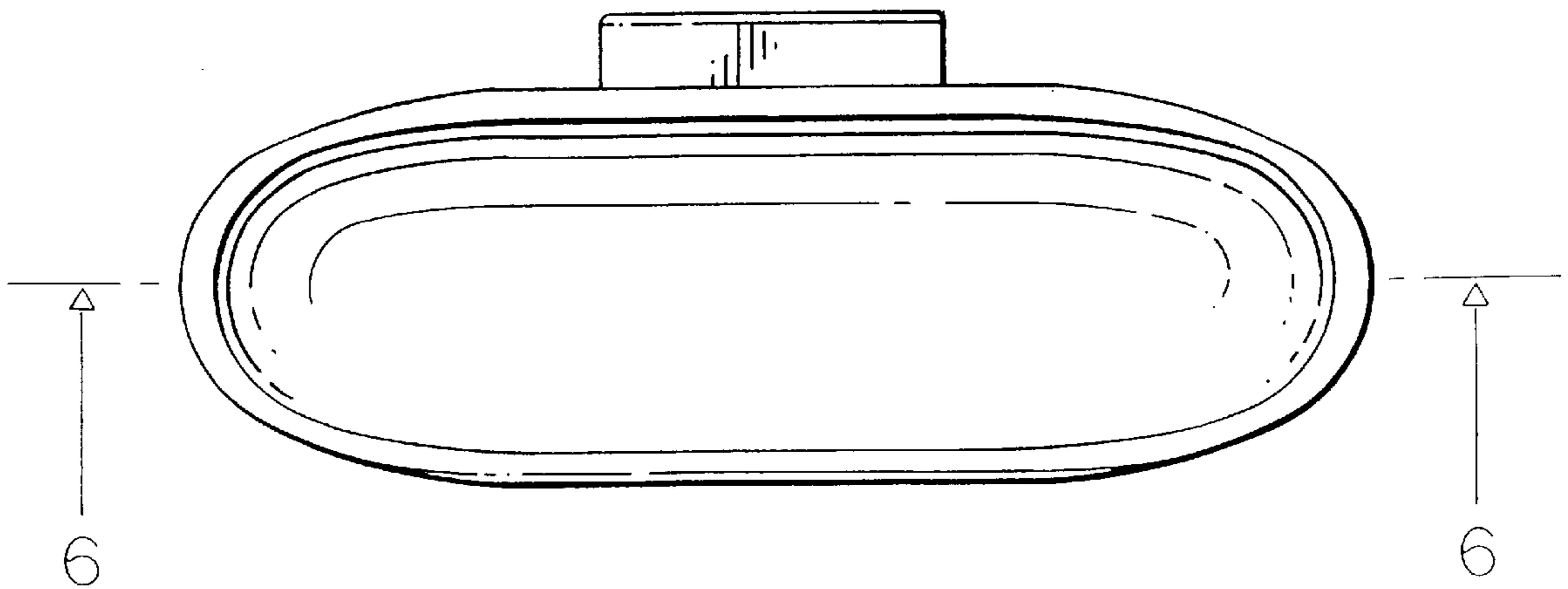


FIG. 3.

FIG. 4.



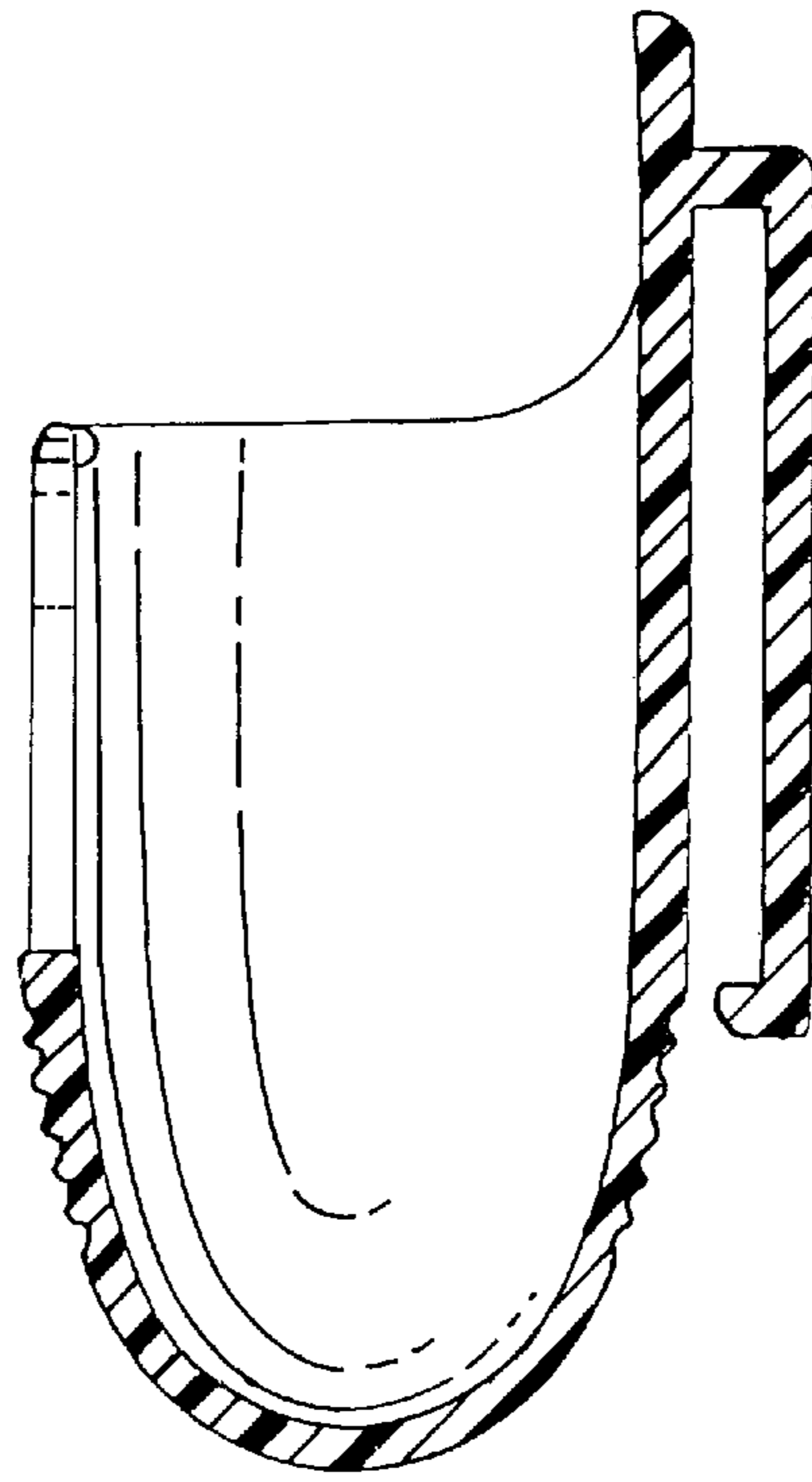


FIG. 5.

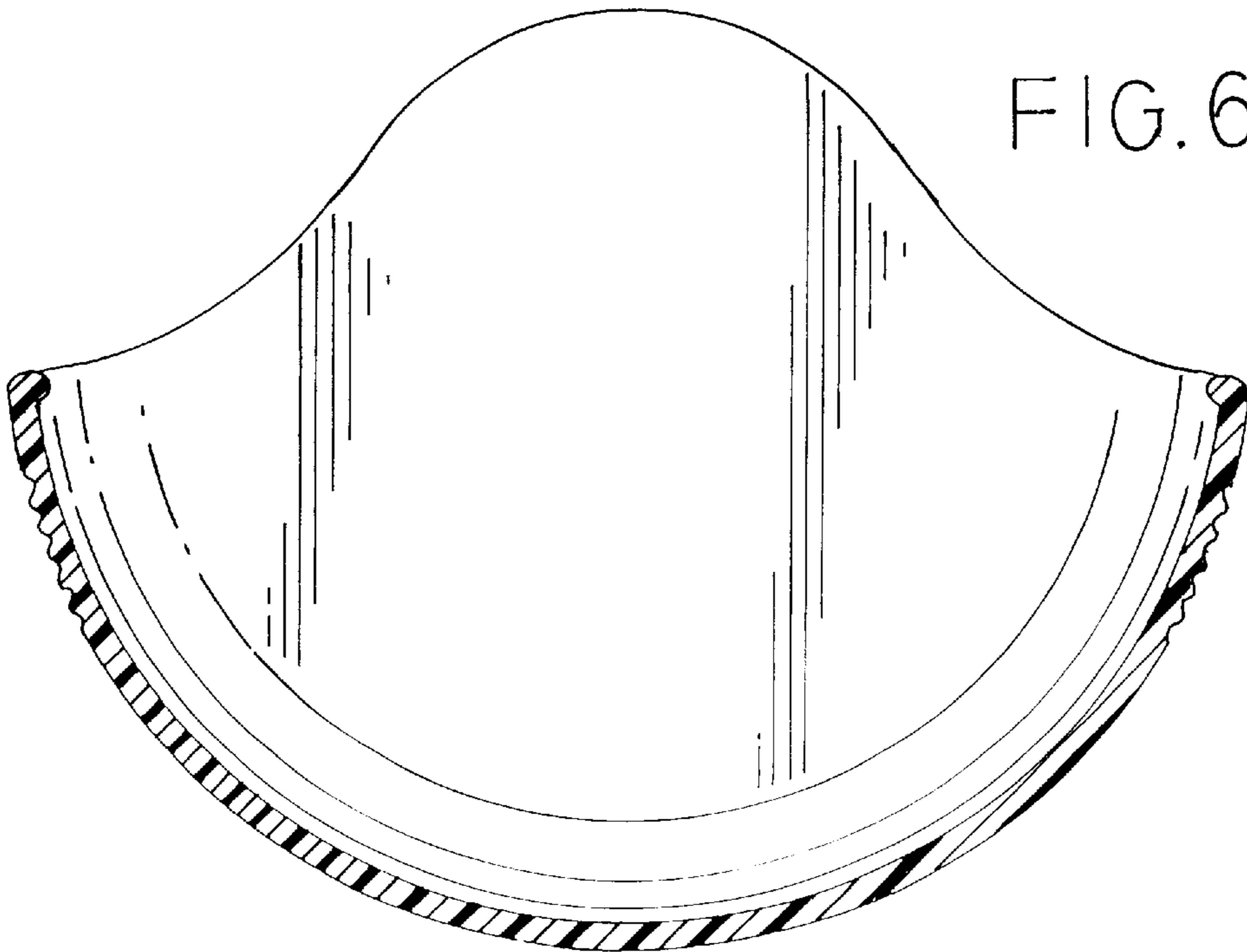


FIG. 6.