



US00D456066S

(12) **United States Design Patent**
Ching

(10) **Patent No.:** **US D456,066 S**

(45) **Date of Patent:** **** Apr. 23, 2002**

(54) **ELECTRIC HEATER**

(75) Inventor: **Chan Ching**, Taipei Hsien (TW)

(73) Assignee: **Perfect Union Co., Ltd.**, Taipei Hsien (TW)

(**) Term: **14 Years**

(21) Appl. No.: **29/135,998**

(22) Filed: **Jan. 24, 2001**

(51) **LOC (7) Cl.** **23-03**

(52) **U.S. Cl.** **D23/335; D23/337**

(58) **Field of Search** **D23/332, 335-341; 392/365-369, 373-6, 407, 422-5; 312/236**

(56) **References Cited**

U.S. PATENT DOCUMENTS

- D286,673 S * 11/1986 Kahn D23/332
- D305,260 S * 12/1989 Mito D23/337
- D343,676 S * 1/1994 Lim D23/332

- D395,490 S * 6/1998 Jane' et al. D23/337
- D396,526 S * 7/1998 Boyle et al. D23/332
- D429,804 S * 8/2000 Rossman et al. D23/341

* cited by examiner

Primary Examiner—B. J. Bullock

(74) *Attorney, Agent, or Firm*—Troxell Law Office PLLC

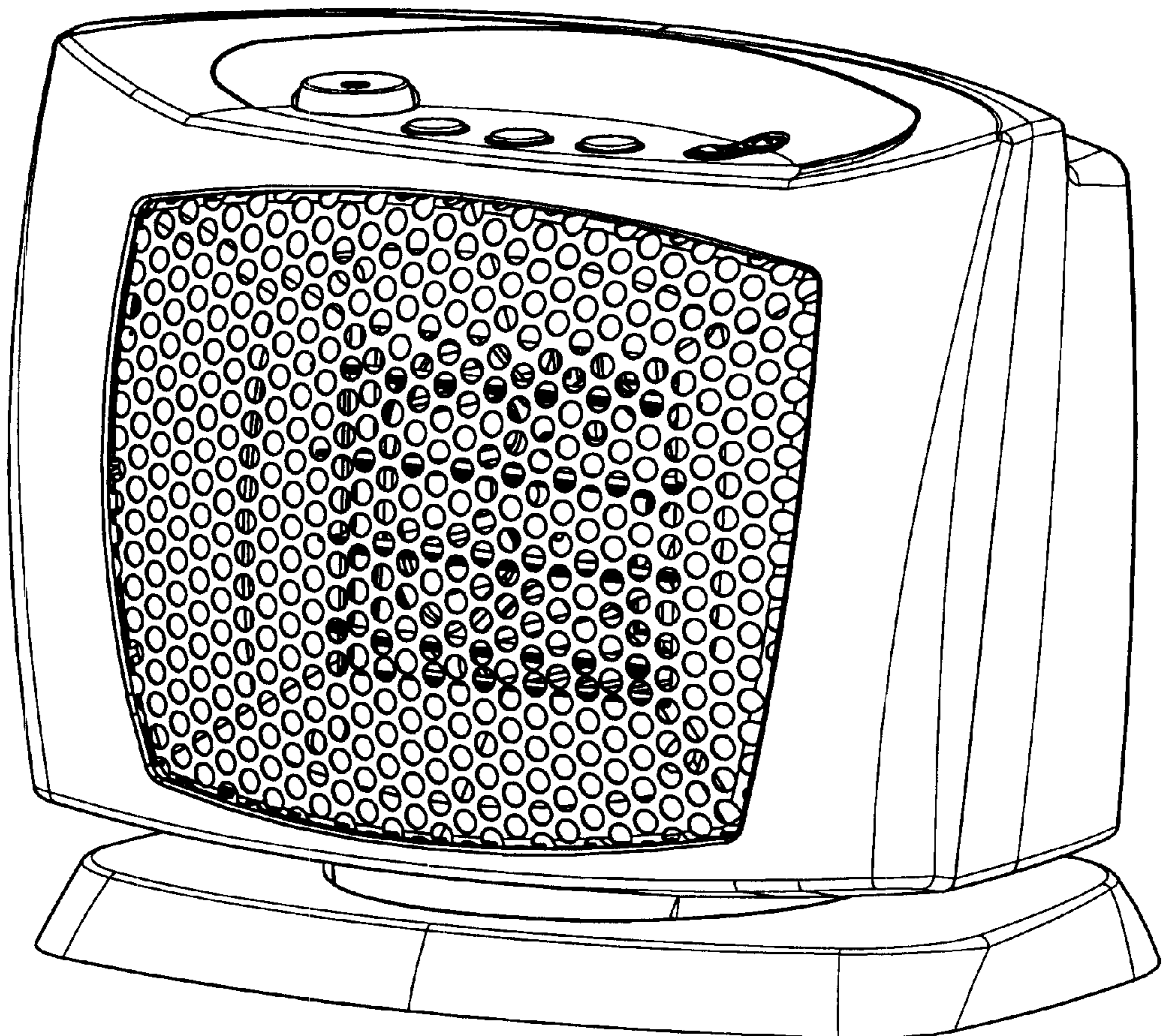
(57) **CLAIM**

The ornamental design for electric heater, as shown and described.

DESCRIPTION

FIG. 1 is a top front and left side perspective view of electric heater showing my new design;
 FIG. 2 is a front elevational view thereof;
 FIG. 3 is a rear elevational view thereof;
 FIG. 4 is a left side elevational view thereof;
 FIG. 5 is a right side elevational view thereof; and,
 FIG. 6 is a top plan view thereof.

1 Claim, 4 Drawing Sheets



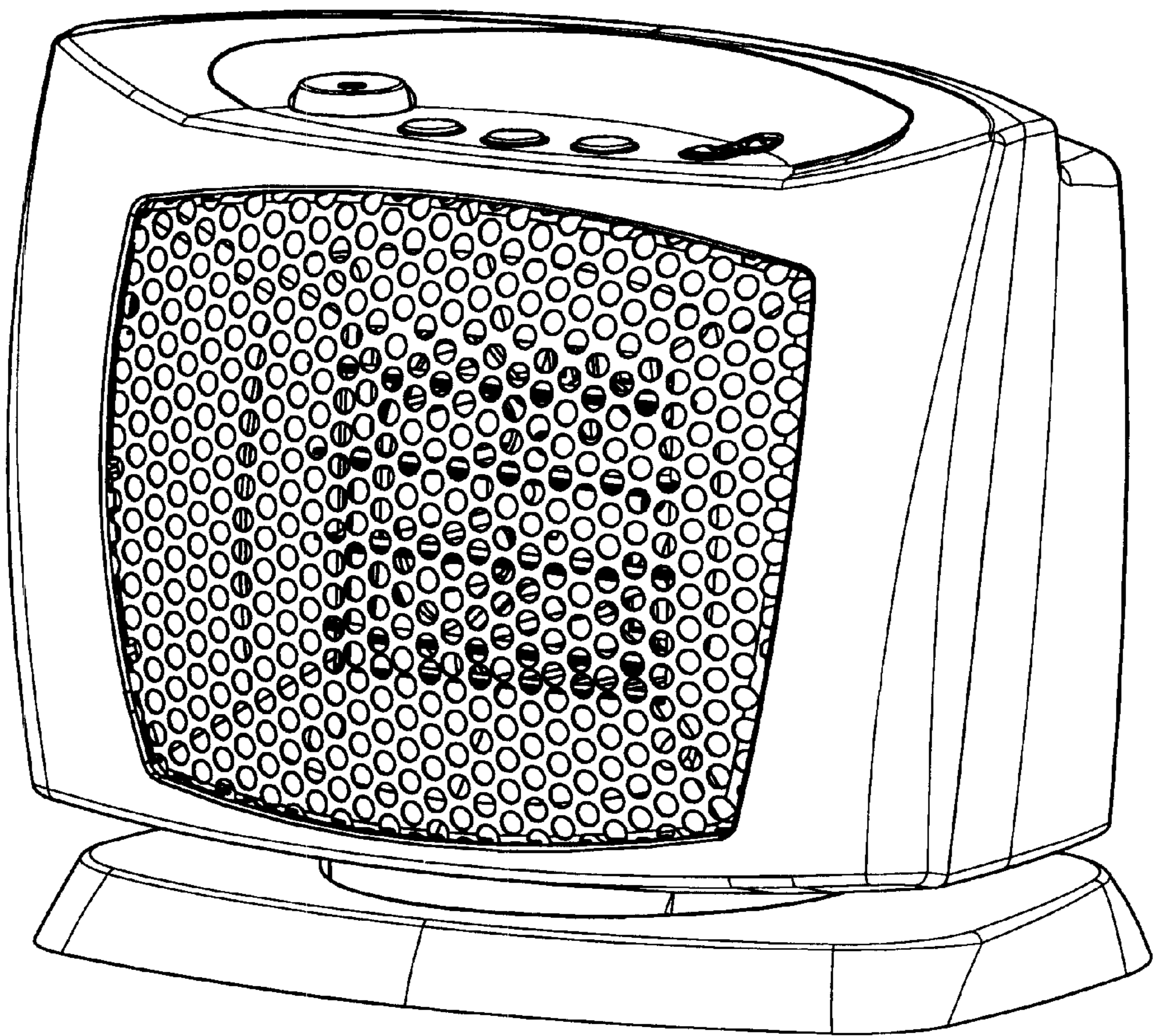


Fig. 1

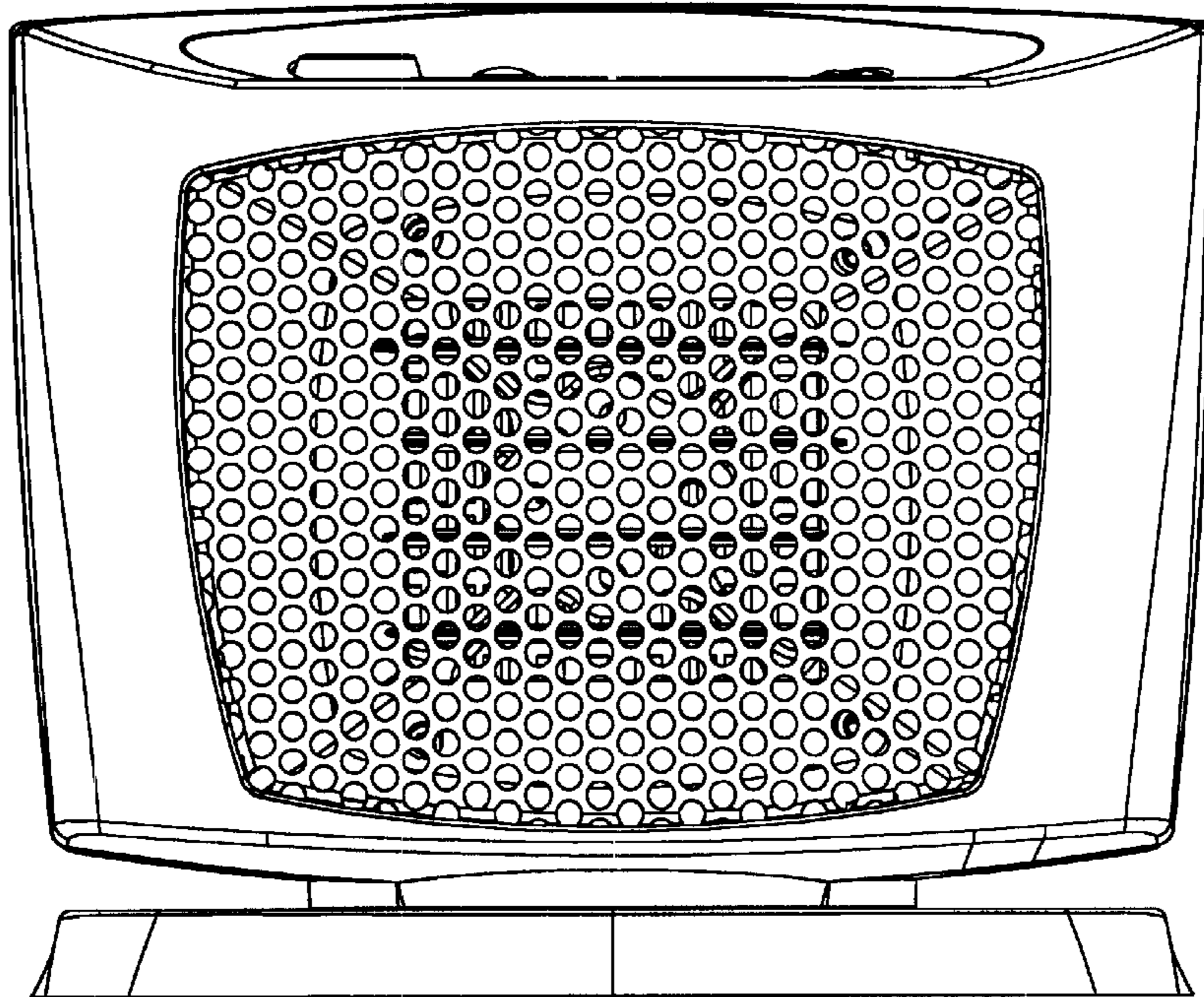


Fig. 2

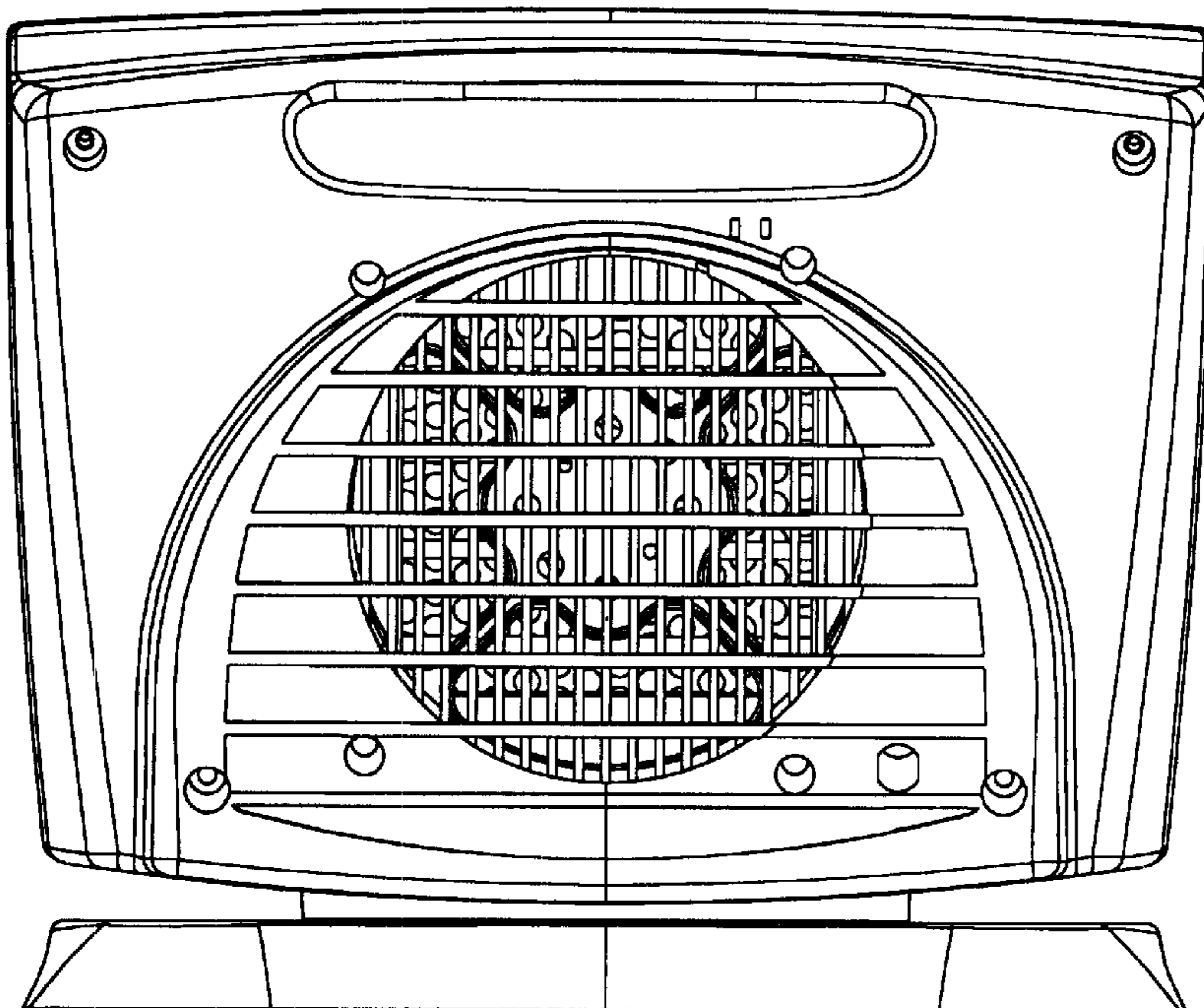


Fig. 3

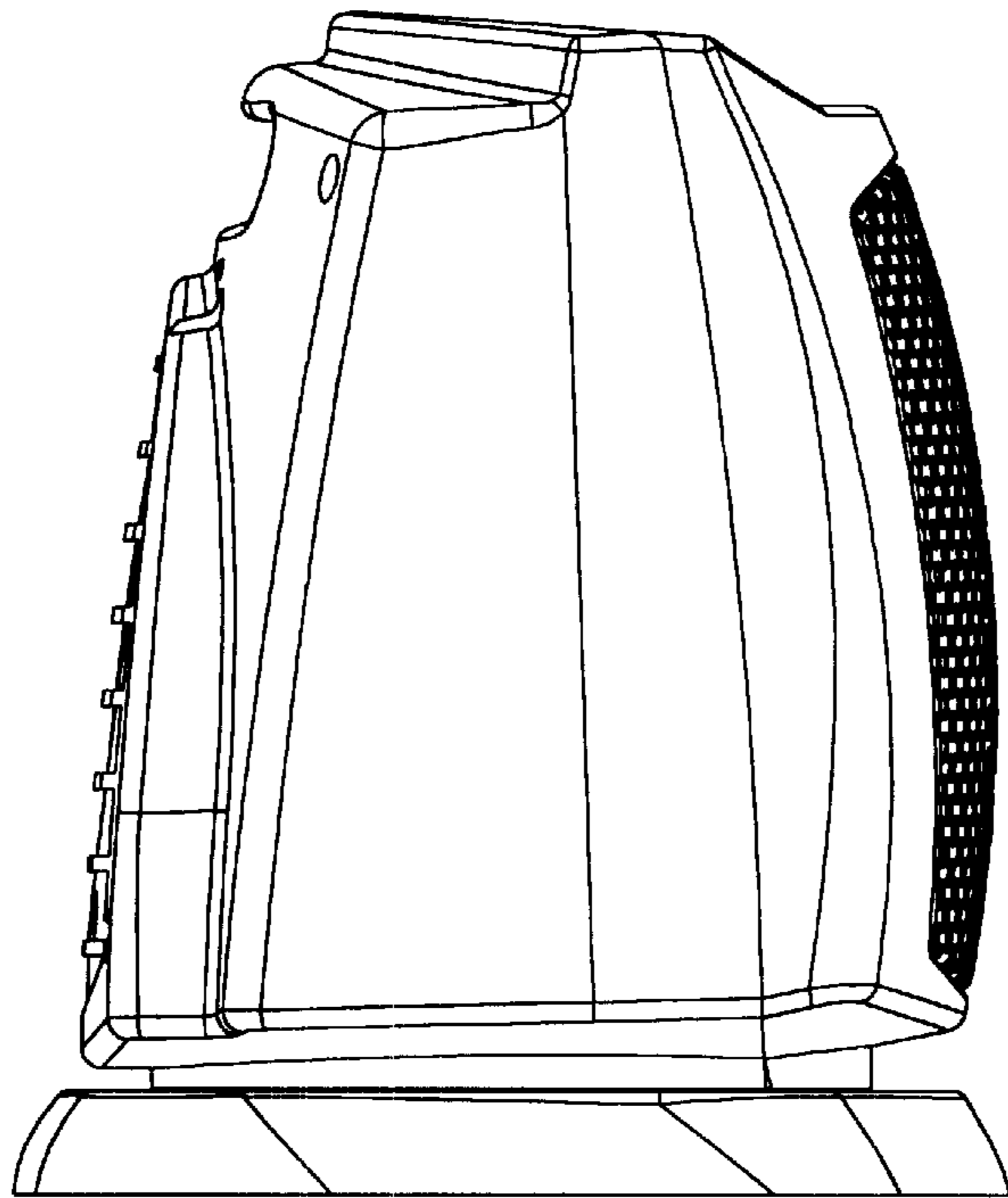


Fig. 4

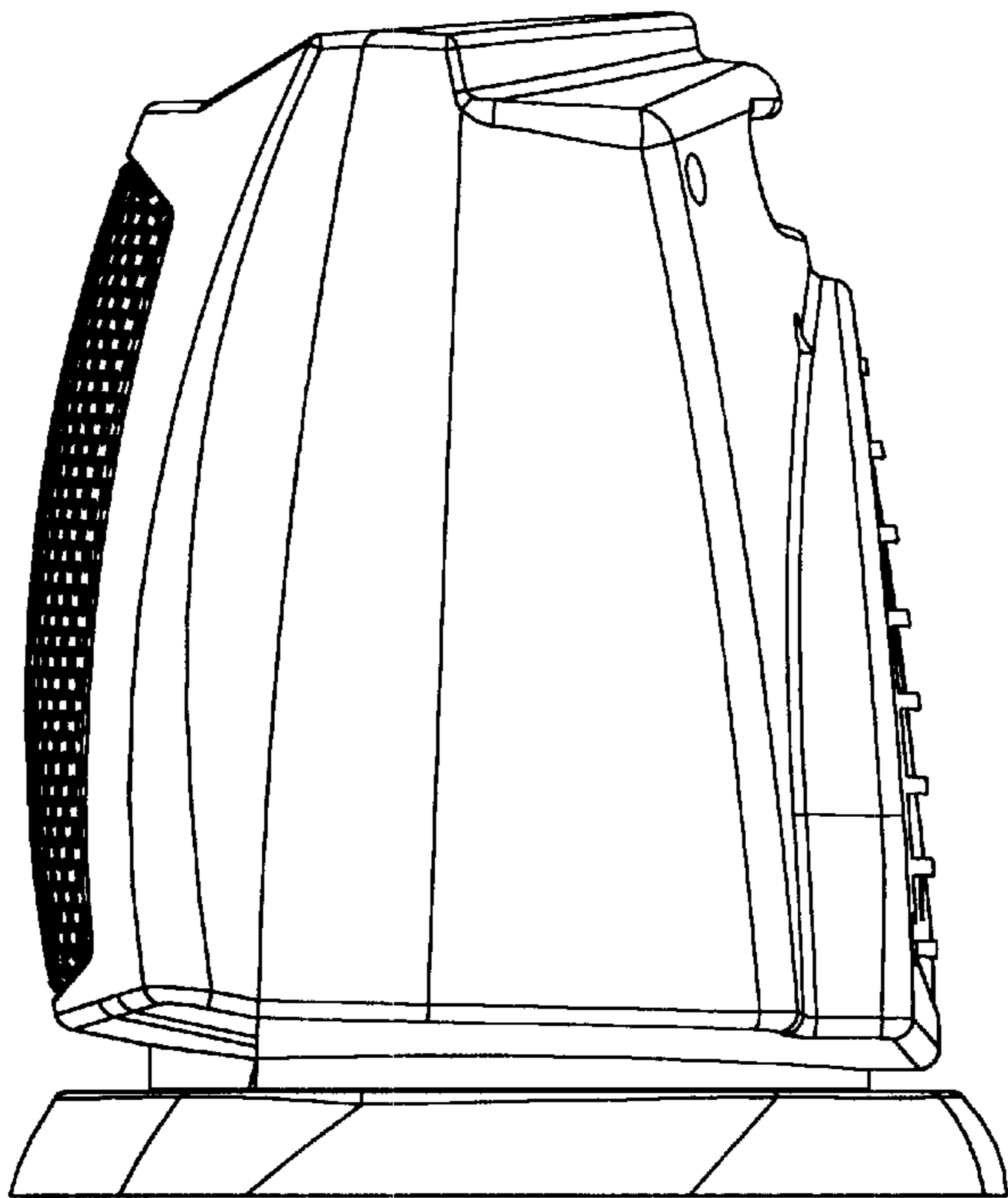


Fig. 5

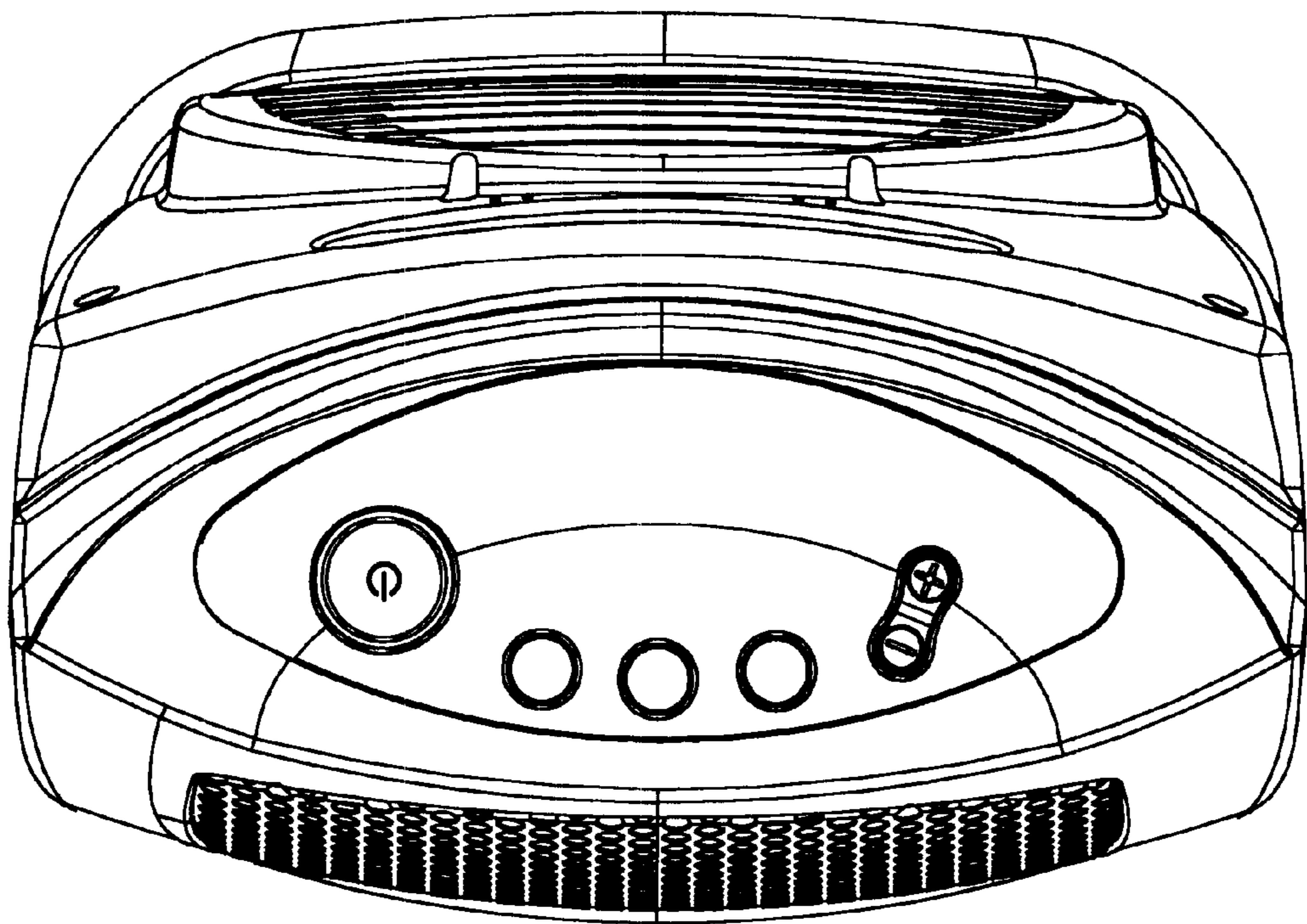


Fig. 6