



US00D456062S

(12) **United States Design Patent**
Chen

(10) **Patent No.:** **US D456,062 S**

(45) **Date of Patent:** **** Apr. 23, 2002**

(54) **PROSTRATE WATER SPRINKLER**

D151,007 S * 9/1948 Russell D23/215
D208,561 S * 9/1967 Dunbar D21/650

(75) Inventor: **Chin-Yuan Chen**, Chang-Hua Hsien (TW)

* cited by examiner

(73) Assignee: **Shin Tai Spurt Water of the Garden Tools Co.,Ltd.**, Chang-Hua Hsien (TW)

Primary Examiner—Robin V. Taylor

(74) *Attorney, Agent, or Firm*—Harrison & Egbert

(**) Term: **14 Years**

(57) **CLAIM**

I claim the ornamental design for a prostate water sprinkler, as shown and described.

(21) Appl. No.: **29/141,235**

(22) Filed: **May 3, 2001**

DESCRIPTION

(51) **LOC (7) Cl.** **23-01**

FIG. 1 is an upper perspective view of the prostate water sprinkler showing my design.

(52) **U.S. Cl.** **D23/215**

FIG. 2 is a front view thereof;

(58) **Field of Search** D23/213–216,
D23/220; 239/211, 251; D21/650

FIG. 3 is a back view thereof;

FIG. 4 is a side view thereof;

FIG. 5 is an opposite side view thereof;

FIG. 6 is a top view thereof; and,

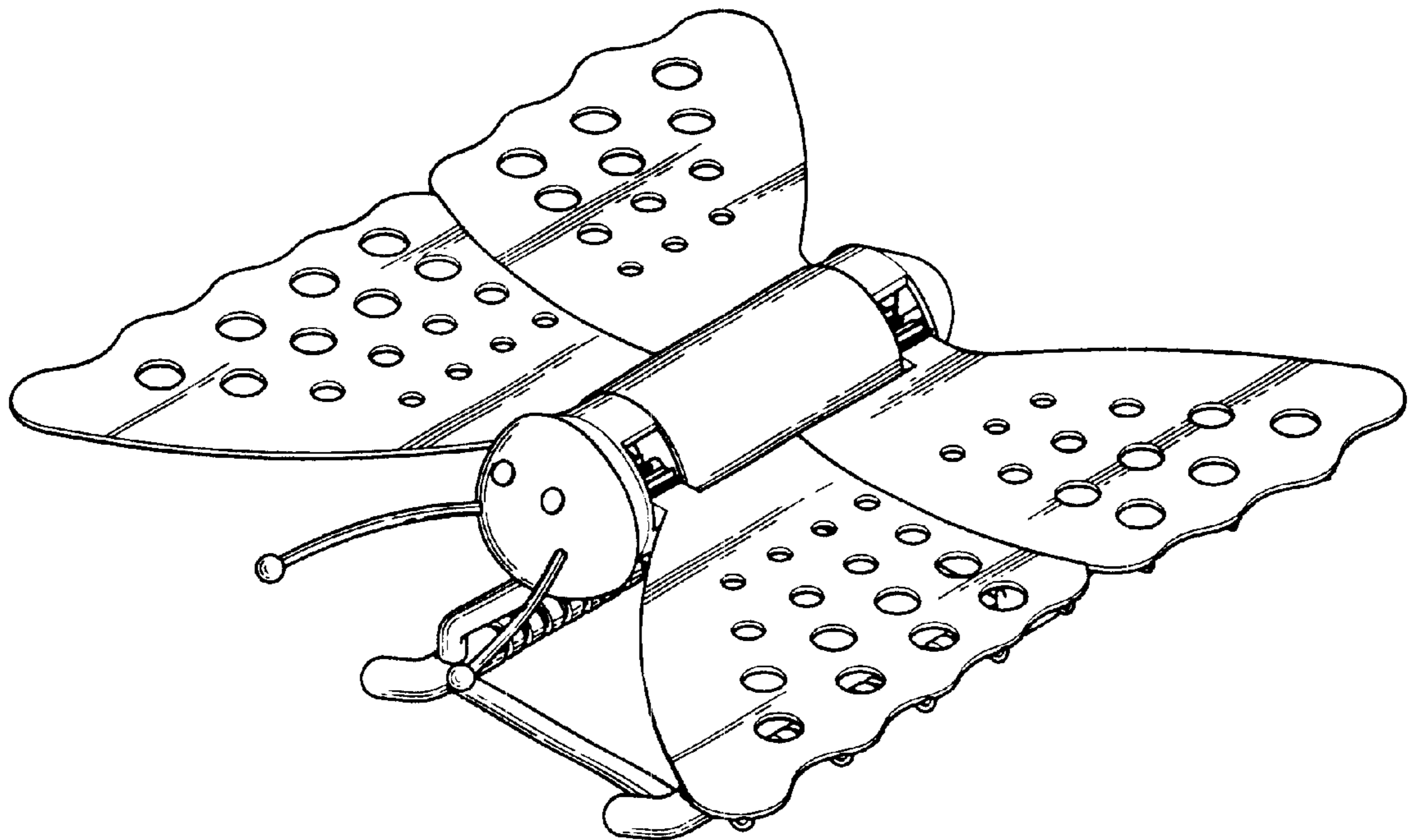
FIG. 7 is a bottom view thereof.

(56) **References Cited**

U.S. PATENT DOCUMENTS

D31,549 S * 9/1899 McCoy D23/215
664,730 A * 12/1900 Dengler 239/211

1 Claim, 4 Drawing Sheets



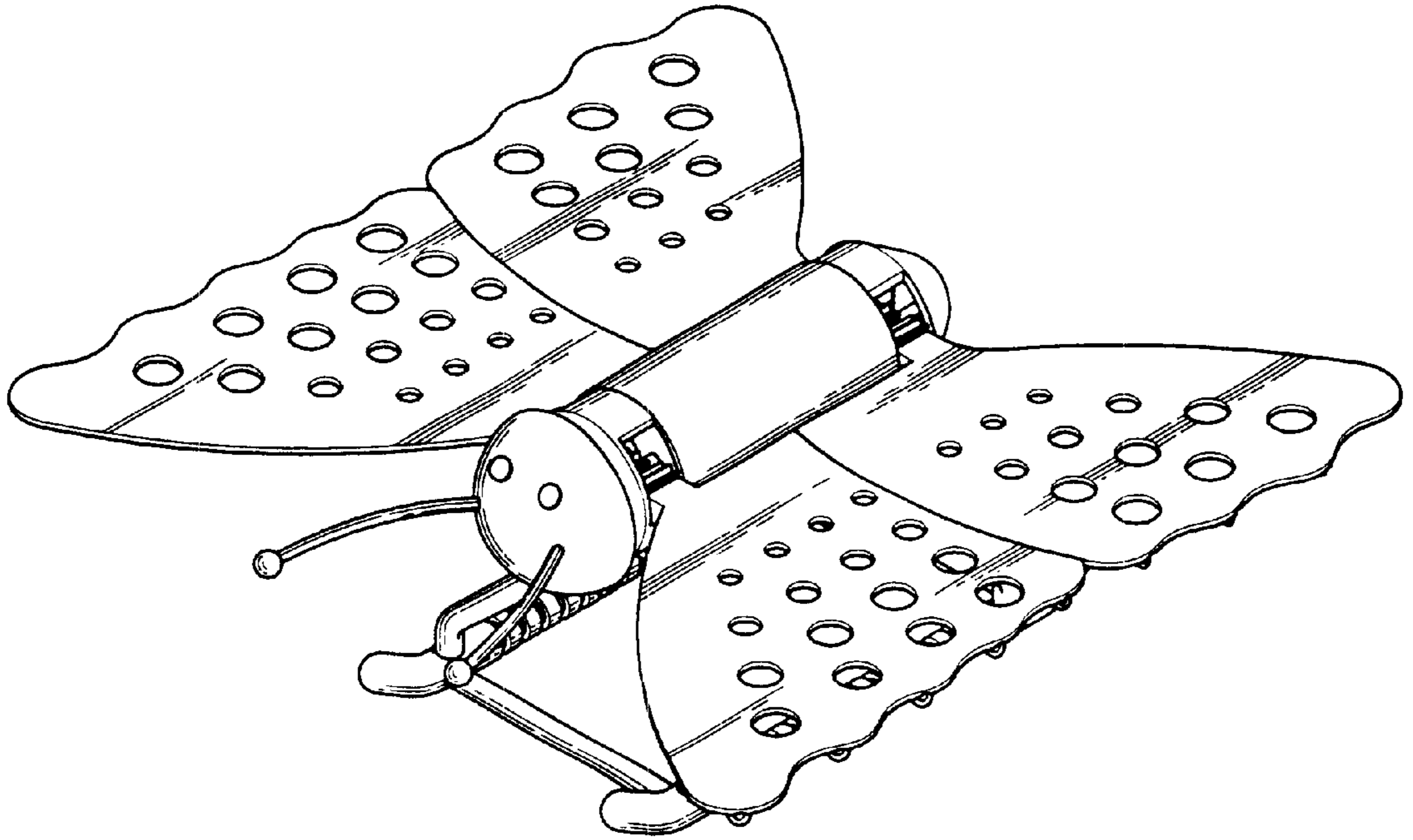


FIG.1

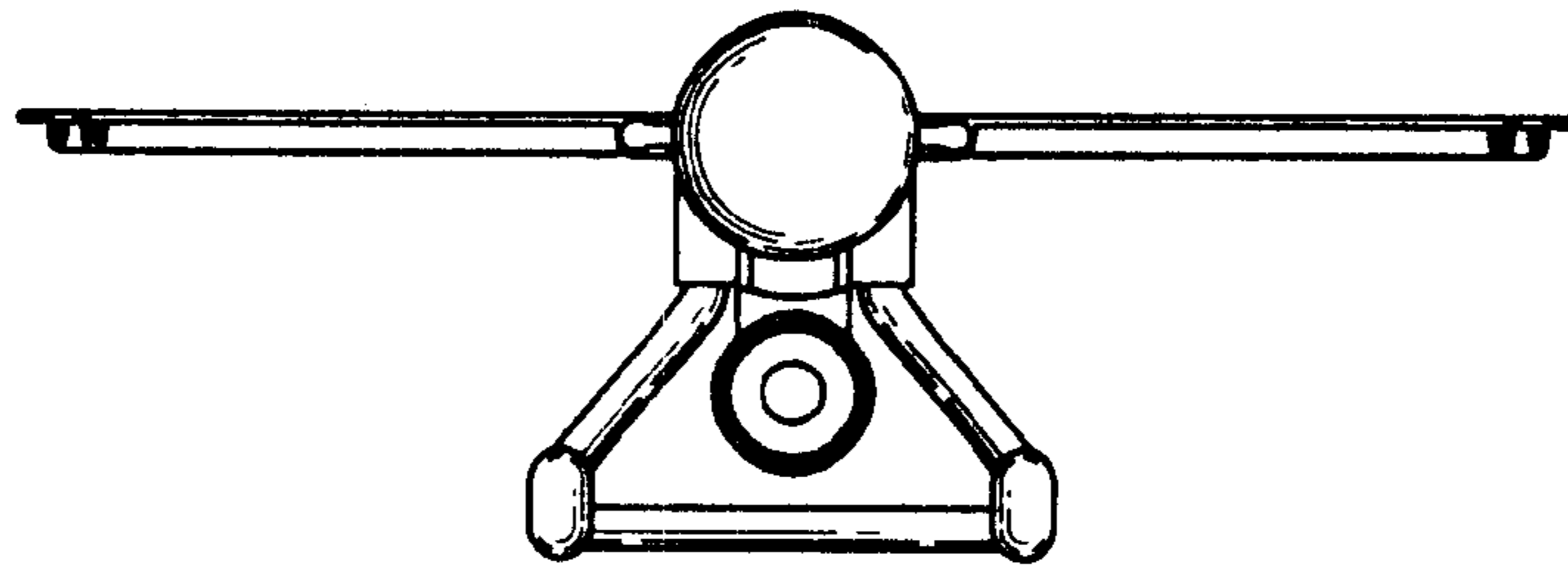


FIG. 2

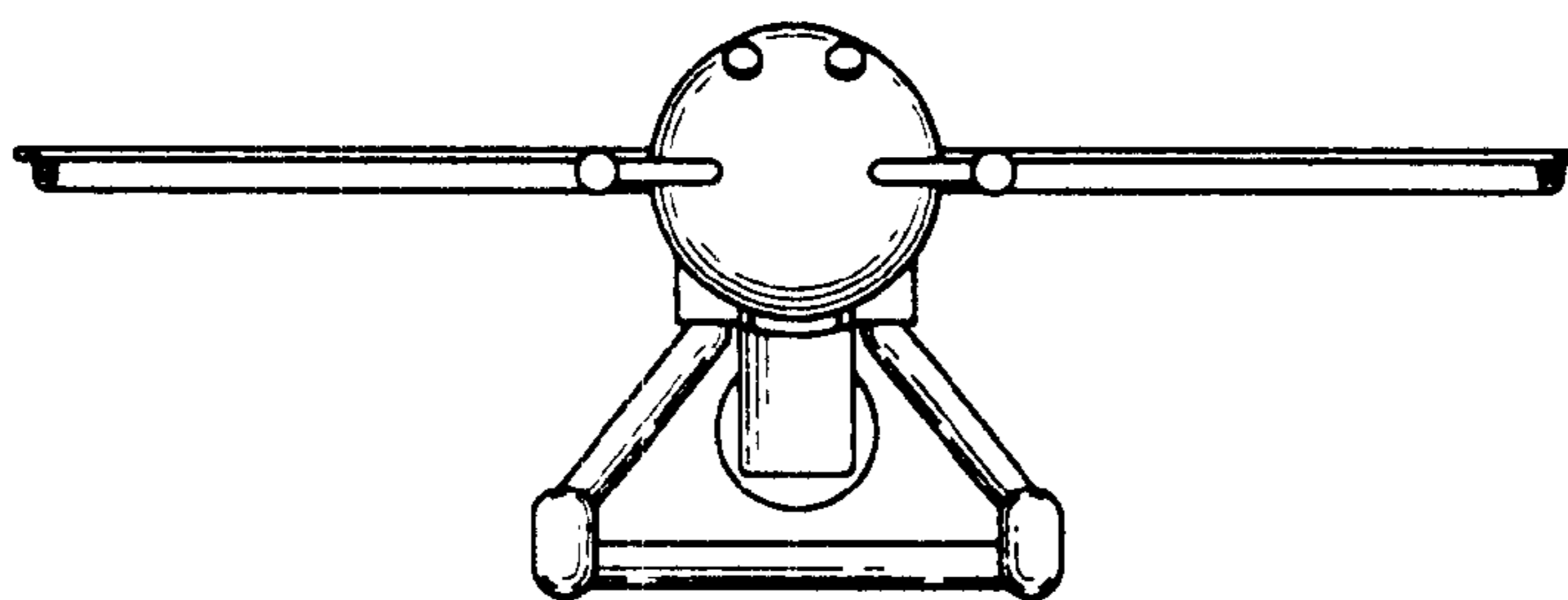


FIG. 3

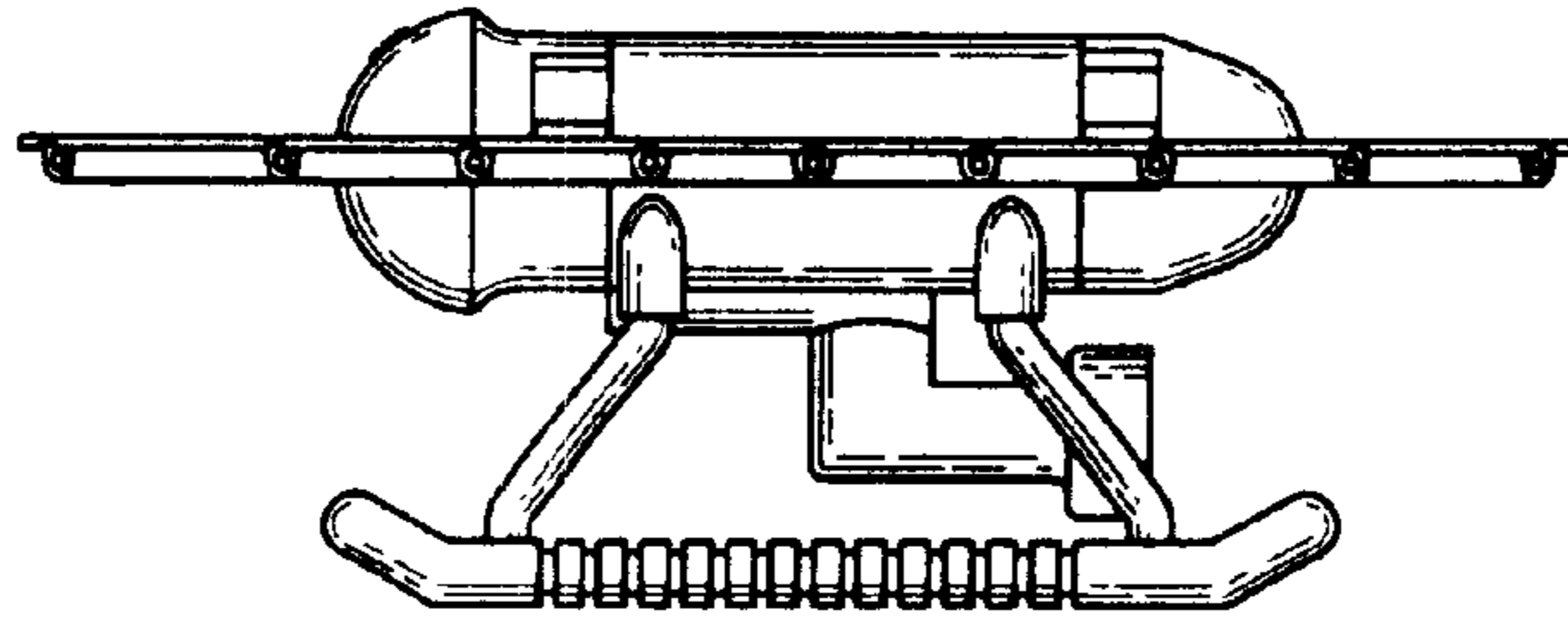


FIG. 4

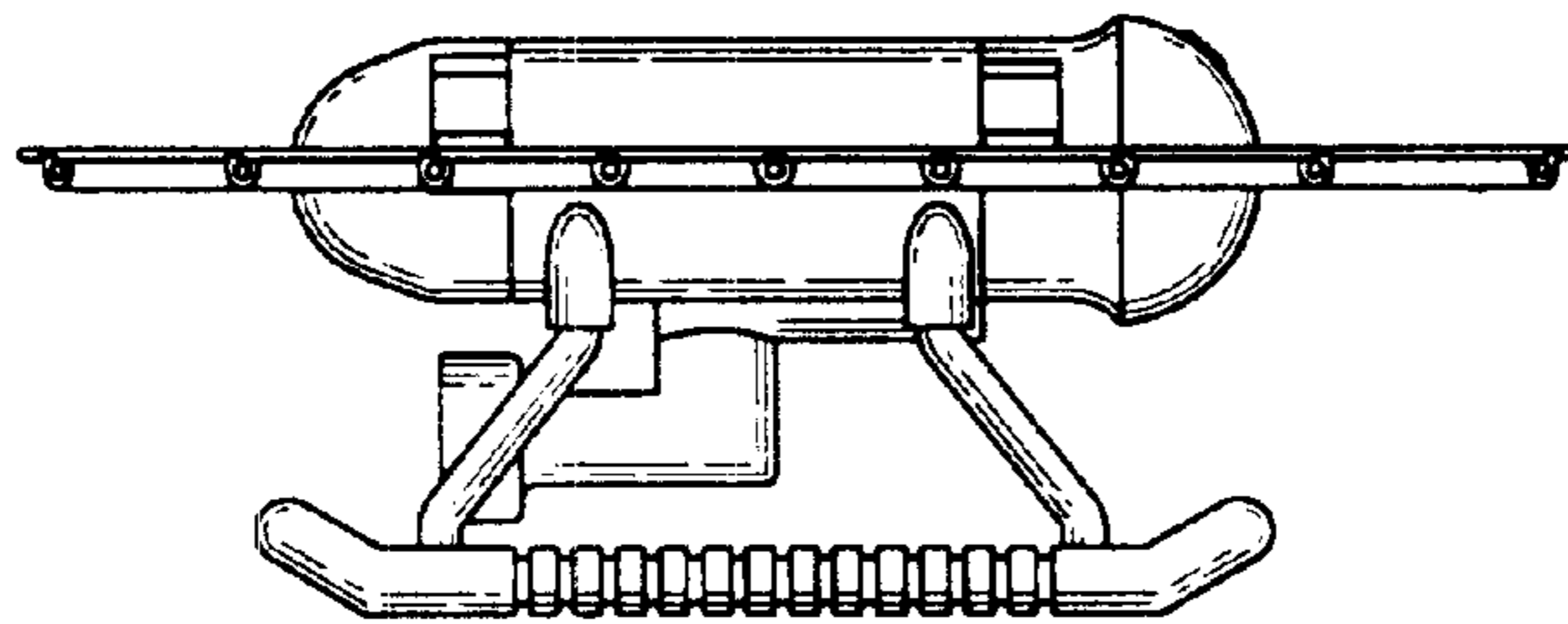


FIG. 5

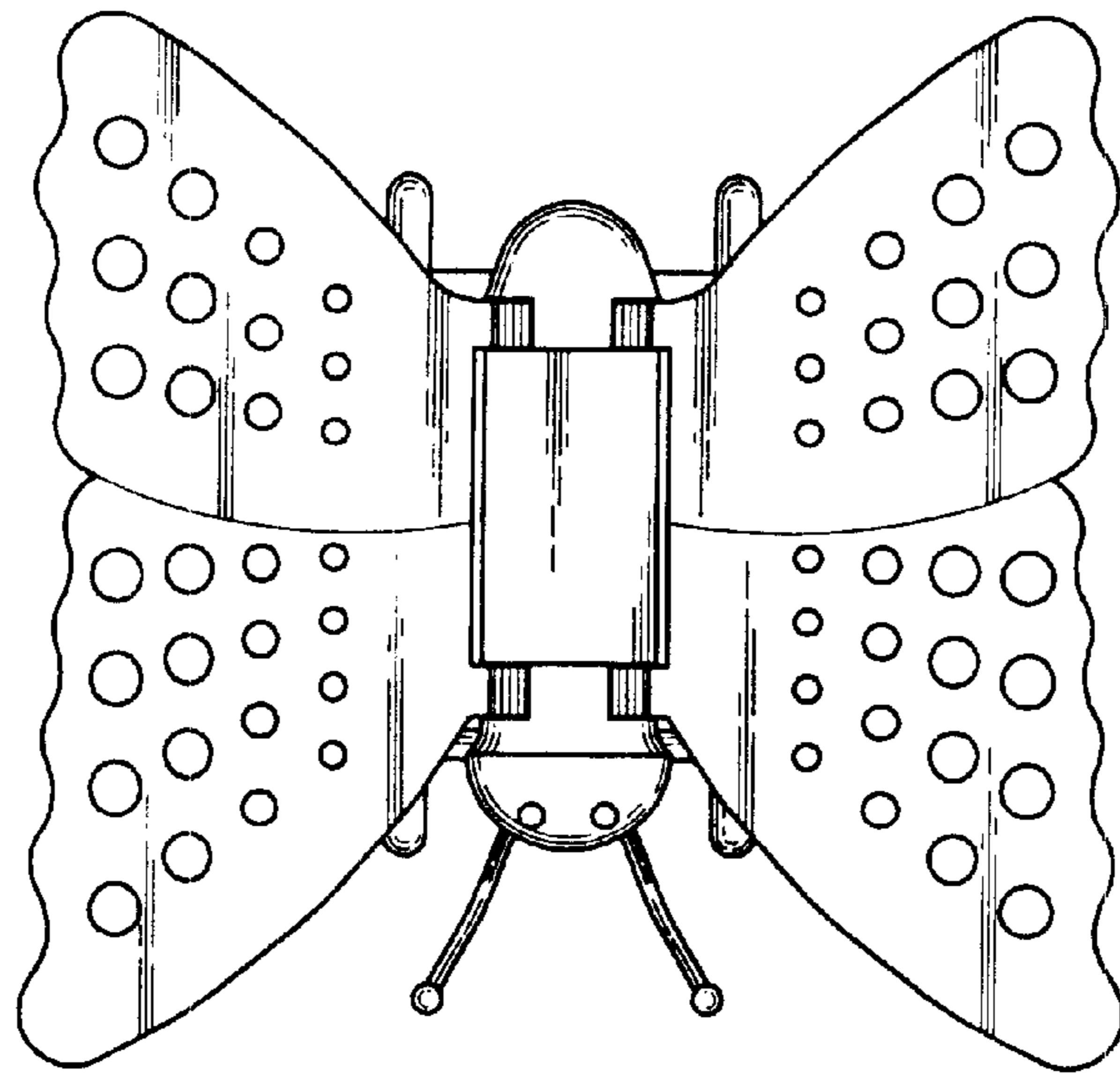


FIG. 6

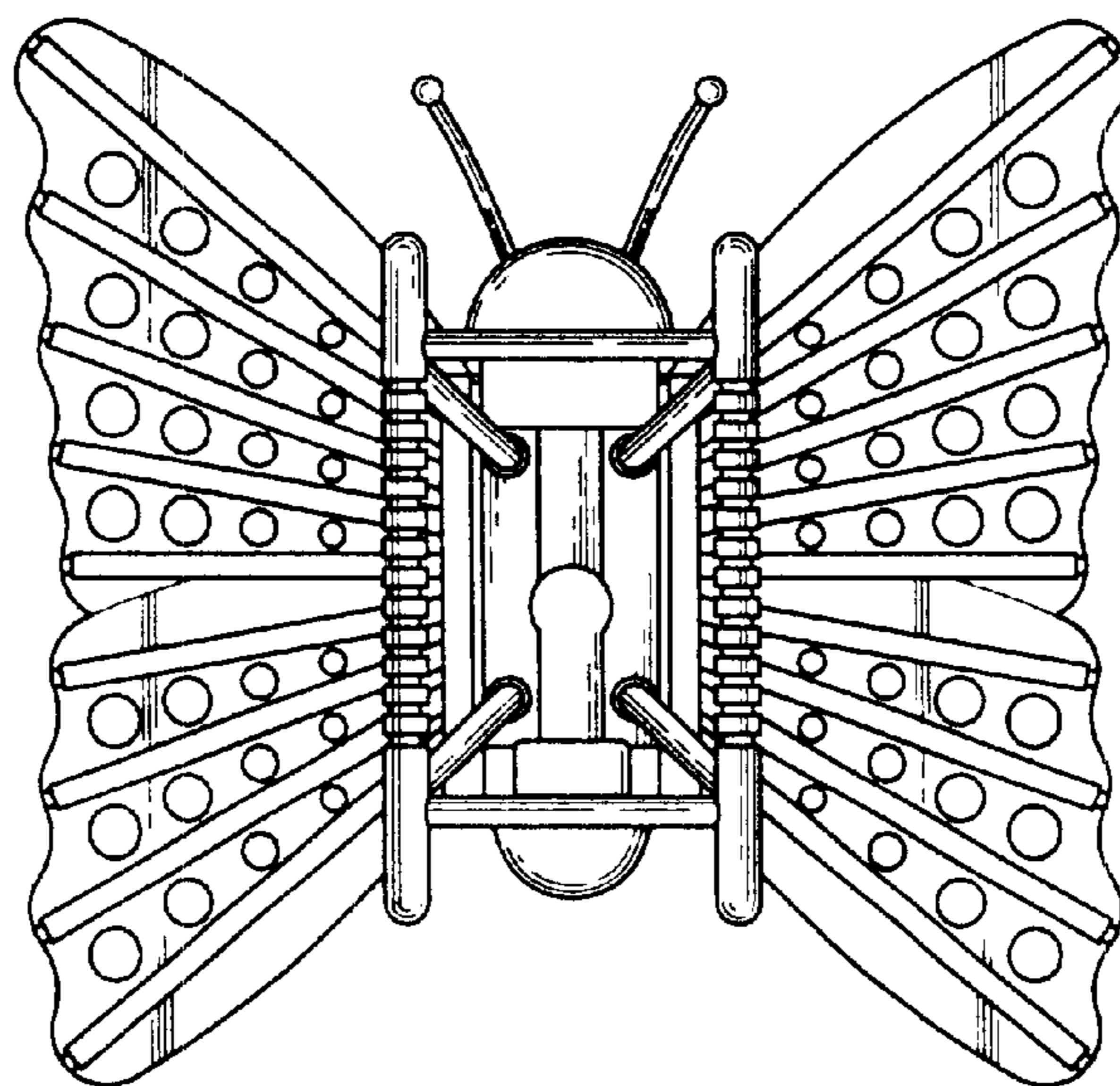


FIG. 7