



US00D456058S

(12) **United States Design Patent**
Rollins

(10) **Patent No.:** **US D456,058 S**

(45) **Date of Patent:** **** Apr. 23, 2002**

(54) **INSECT BAIT STATION**

(76) Inventor: **R. Randall Rollins**, 2170 Piedmont Rd., Atlanta, GA (US) 30324

(**) Term: **14 Years**

(21) Appl. No.: **29/143,250**

(22) Filed: **Jun. 8, 2001**

(51) **LOC (7) Cl.** **22-05**

(52) **U.S. Cl.** **D22/122**

(58) **Field of Search** D22/119-125;
43/1, 58, 60, 107, 121, 131, 132.1, 112,
113, 124; 248/530, 156, 545

(56) **References Cited**

U.S. PATENT DOCUMENTS

D294,060 S	*	2/1988	Rogers	D22/122
D410,724 S	*	6/1999	Robles et al.	D22/122
6,003,266 A	*	12/1999	Woodruff	43/124
6,219,960 B1	*	4/2001	Contadini et al.	43/121

OTHER PUBLICATIONS

Advertisement from Internet entitled "HomeChoice™ Termiticide Detector Stations and Baiting System with Removable NumberRing™", PestSupply.com; pp. 1-7 2001.

Advertisement from Terminix Company entitled "Get the Ultimate Protection Against Subterranean Terminate Attack . . .", Feb., 2001; 2 pages.

* cited by examiner

Primary Examiner—Catherine R. Oliver

(74) *Attorney, Agent, or Firm*—Kilpatrick Stockton, LLP

(57) **CLAIM**

The ornamental design for a insect bait station, as shown.

DESCRIPTION

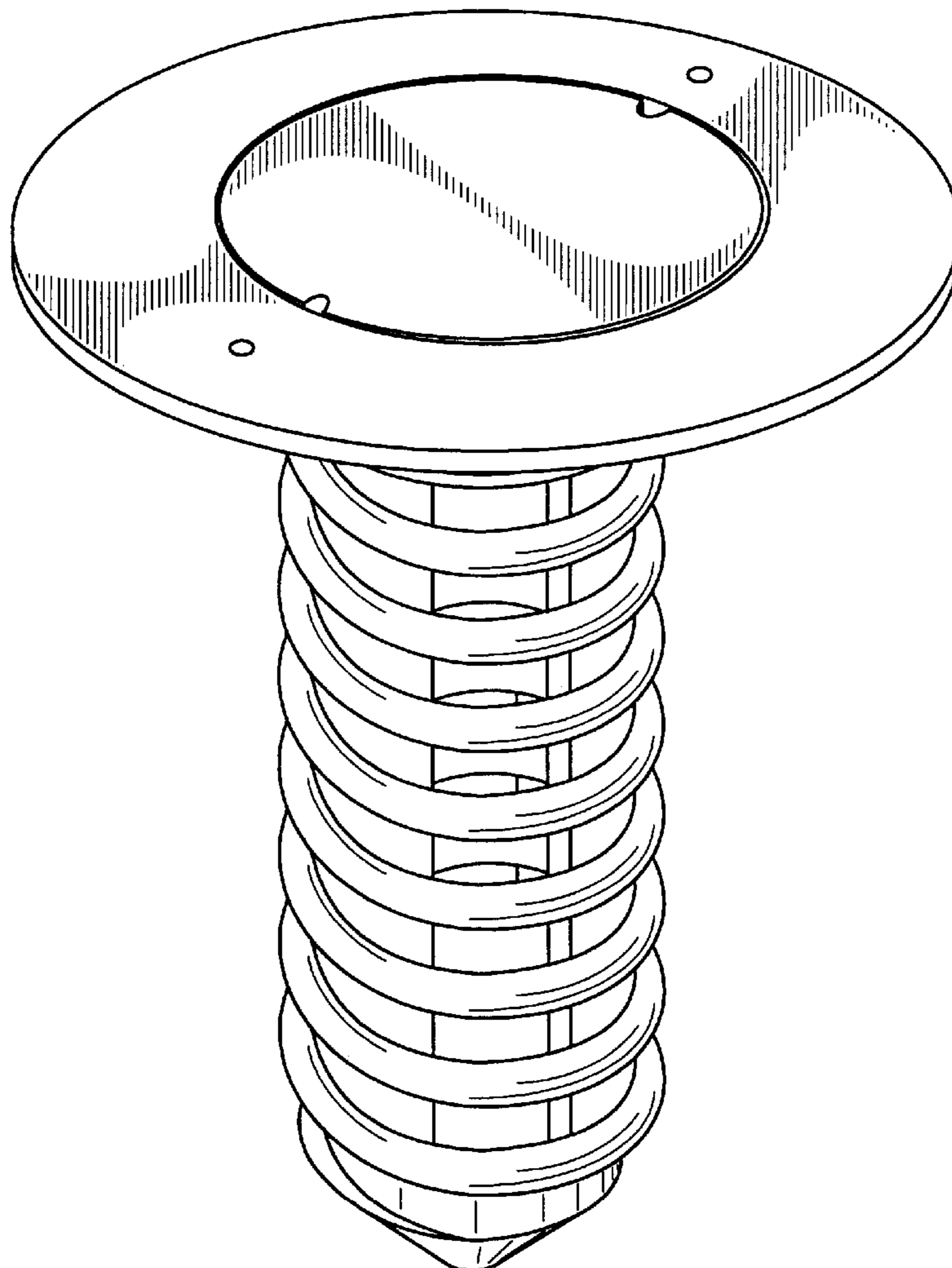
FIG. 1 is a perspective view of my new insect bait station;

FIG. 2 is a side view thereof;

FIG. 3 is a top plan view thereof; and,

FIG. 4 is a bottom plan view thereof.

1 Claim, 3 Drawing Sheets



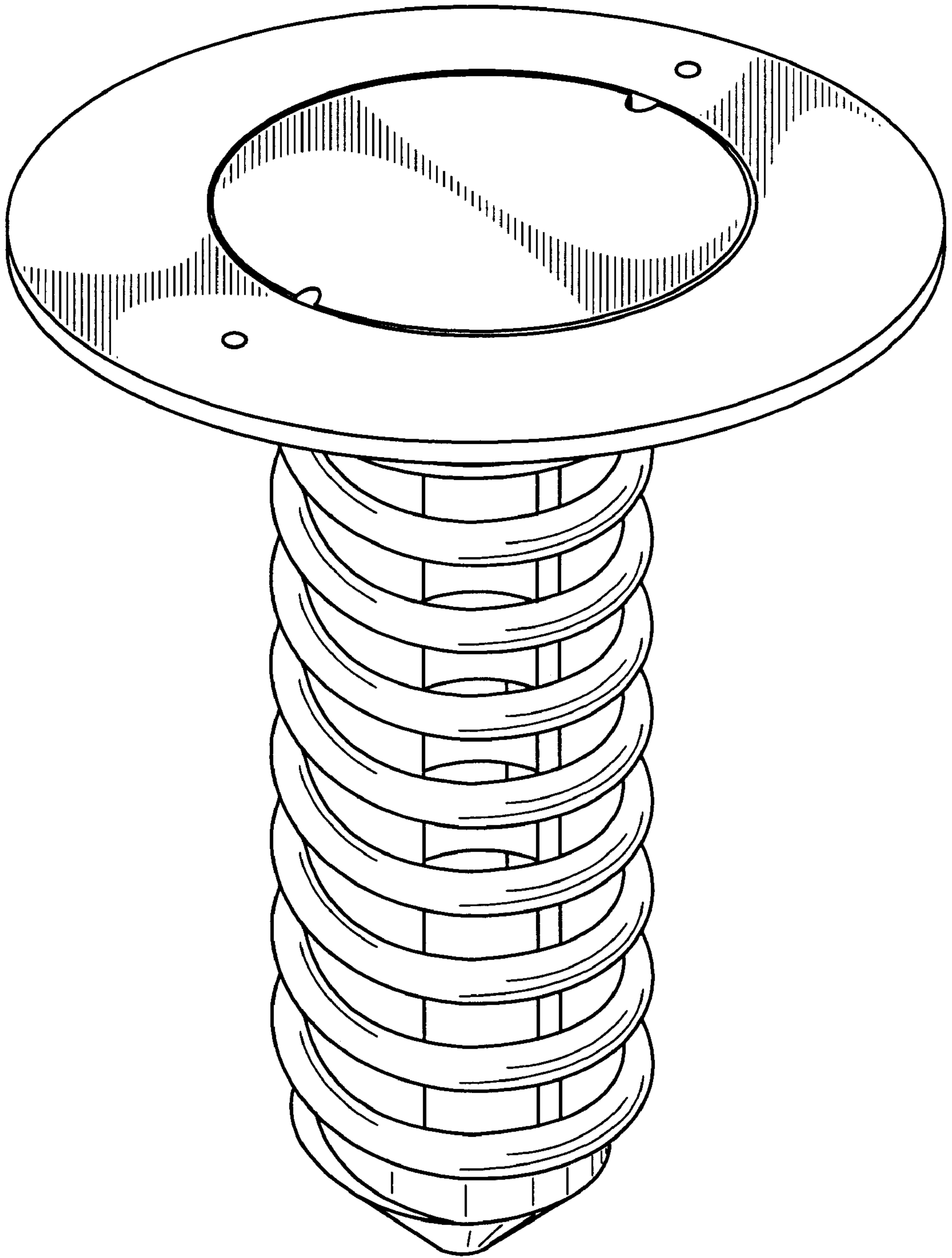


Fig. 1

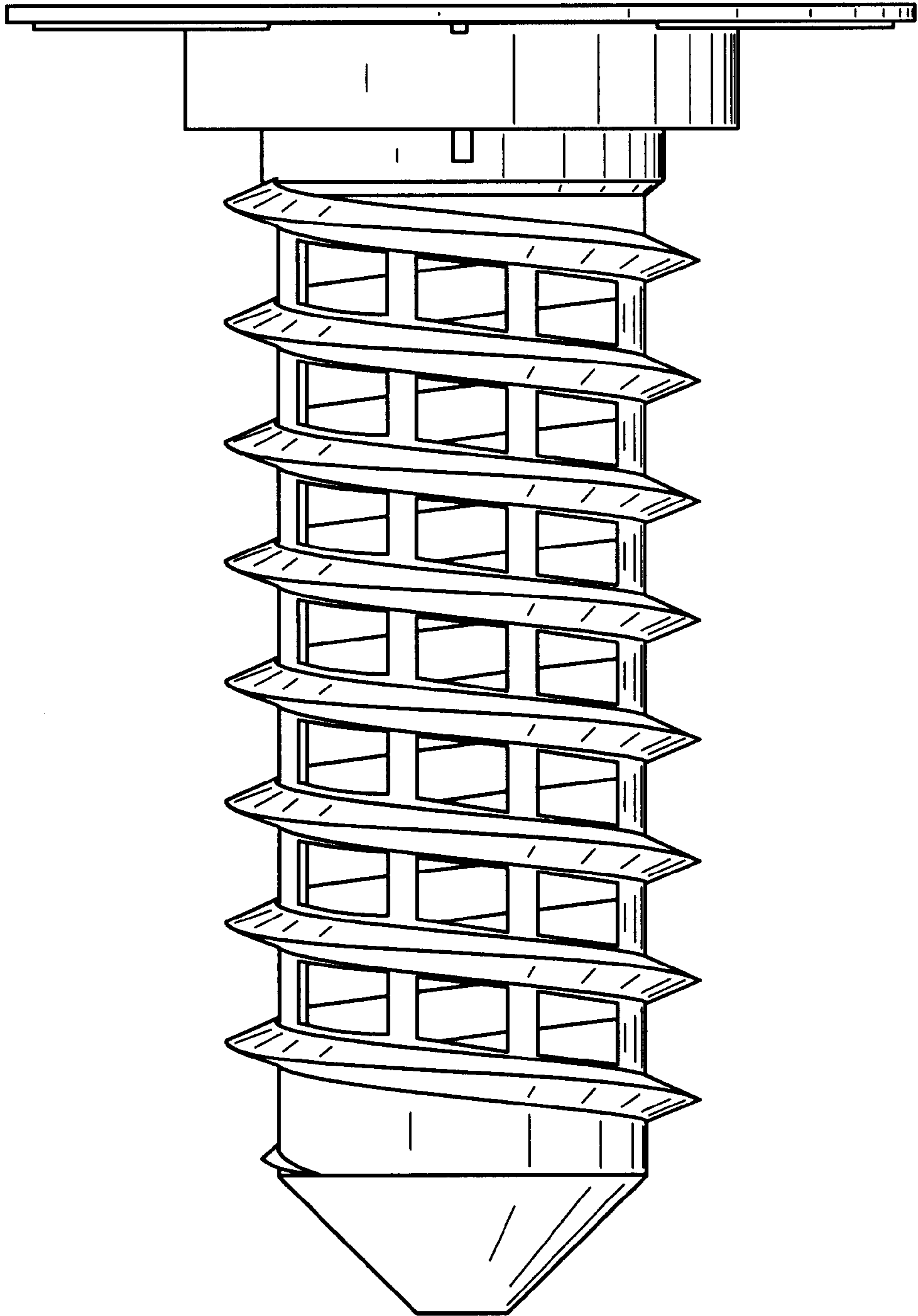


Fig. 2

Fig. 3

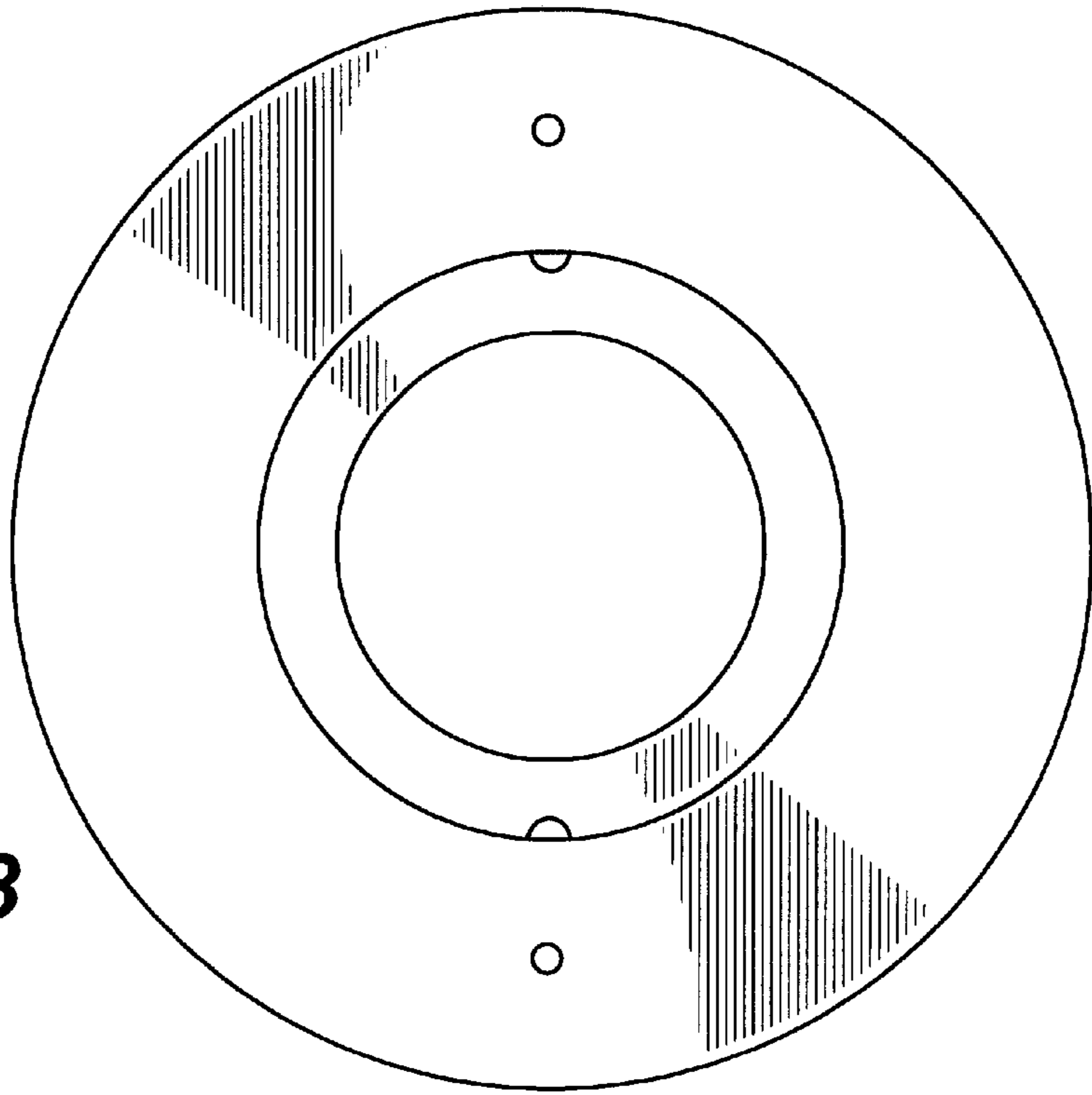


Fig. 4

