



US00D456056S

(12) **United States Design Patent**
Bakke

(10) **Patent No.:** **US D456,056 S**

(45) **Date of Patent:** **** Apr. 23, 2002**

(54) **IRON GOLF CLUB HEAD**

D426,276 S * 6/2000 Besnard et al. D21/747

(75) Inventor: **Jan Bakke**, Holmestrand (NO)

* cited by examiner

(73) Assignee: **Millennium Golf AS**, Holmestrand (NO)

Primary Examiner—Mitchell Siegel

(74) *Attorney, Agent, or Firm*—Ladas & Parry

(**) Term: **14 Years**

(57) **CLAIM**

I claim the ornamental design for iron golf club head, as shown.

(21) Appl. No.: **29/125,653**

DESCRIPTION

(22) Filed: **Jun. 27, 2000**

(30) **Foreign Application Priority Data**

Mar. 28, 2000 (NO) 2000 0213

(51) **LOC (7) Cl.** **21-02**

(52) **U.S. Cl.** **D21/747**

(58) **Field of Search** D21/747-751;
473/324, 327-331, 350

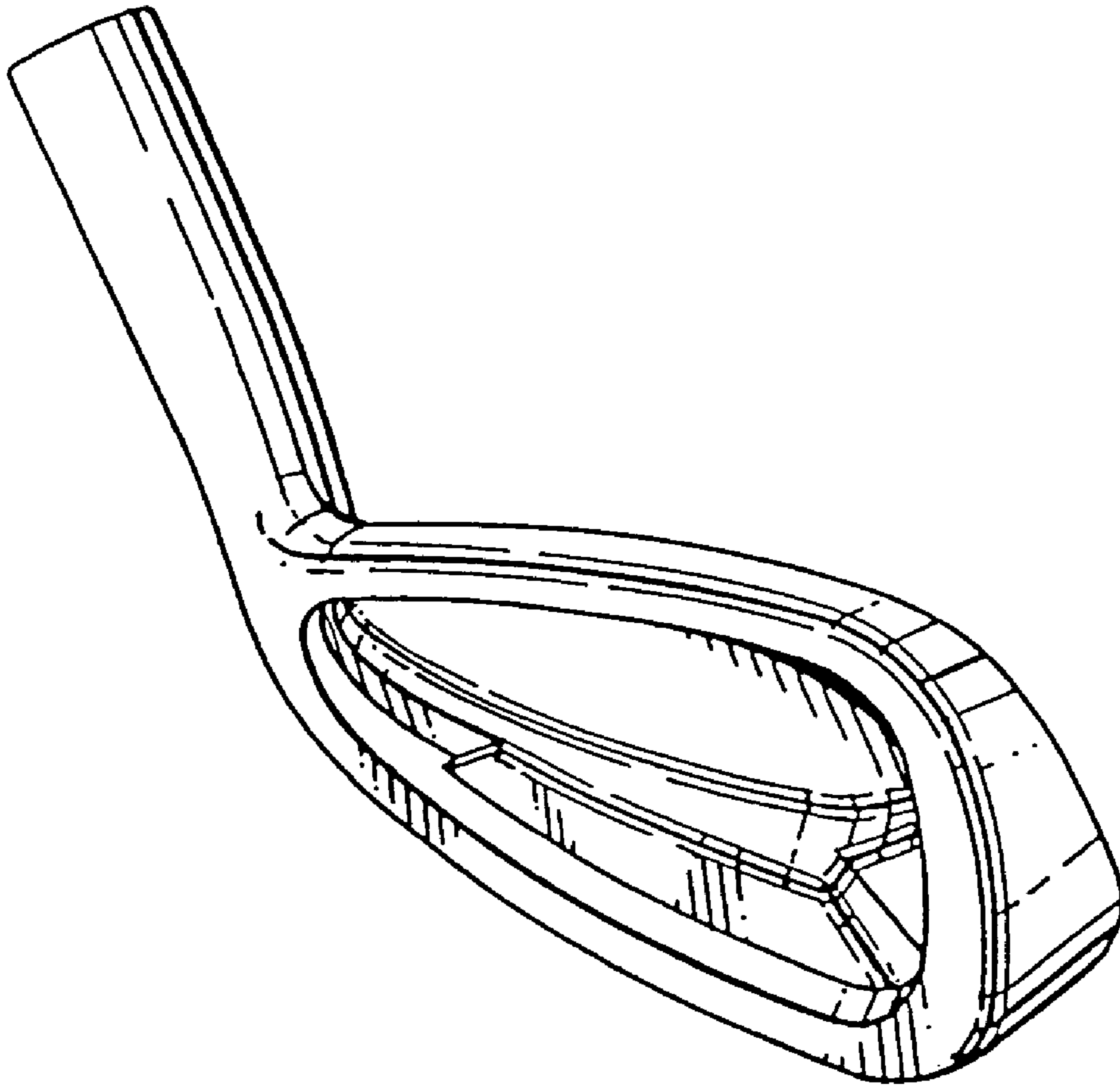
FIG. 1 is a front/left-side/top perspective view of an iron golf club head showing my new design;
FIG. 2 is a rear/left-side/top perspective view thereof;
FIG. 3 is a front elevational view thereof;
FIG. 4 is a rear elevational view thereof;
FIG. 5 is a top plan view thereof;
FIG. 6 is a bottom plan view thereof;
FIG. 7 is a left-side elevational view thereof;
FIG. 8 is a right-side elevational view thereof;
FIG. 9 is an enlarged right-side elevational view thereof in cross section along line 9—9 in FIG. 6; and,
FIG. 10 is an enlarged bottom plan view thereof in cross section along line 10—10 in FIG. 6.

(56) **References Cited**

U.S. PATENT DOCUMENTS

D346,840 S * 5/1994 Fenton D21/751
D399,276 S * 10/1998 Hettinger et al. D21/747

1 Claim, 4 Drawing Sheets



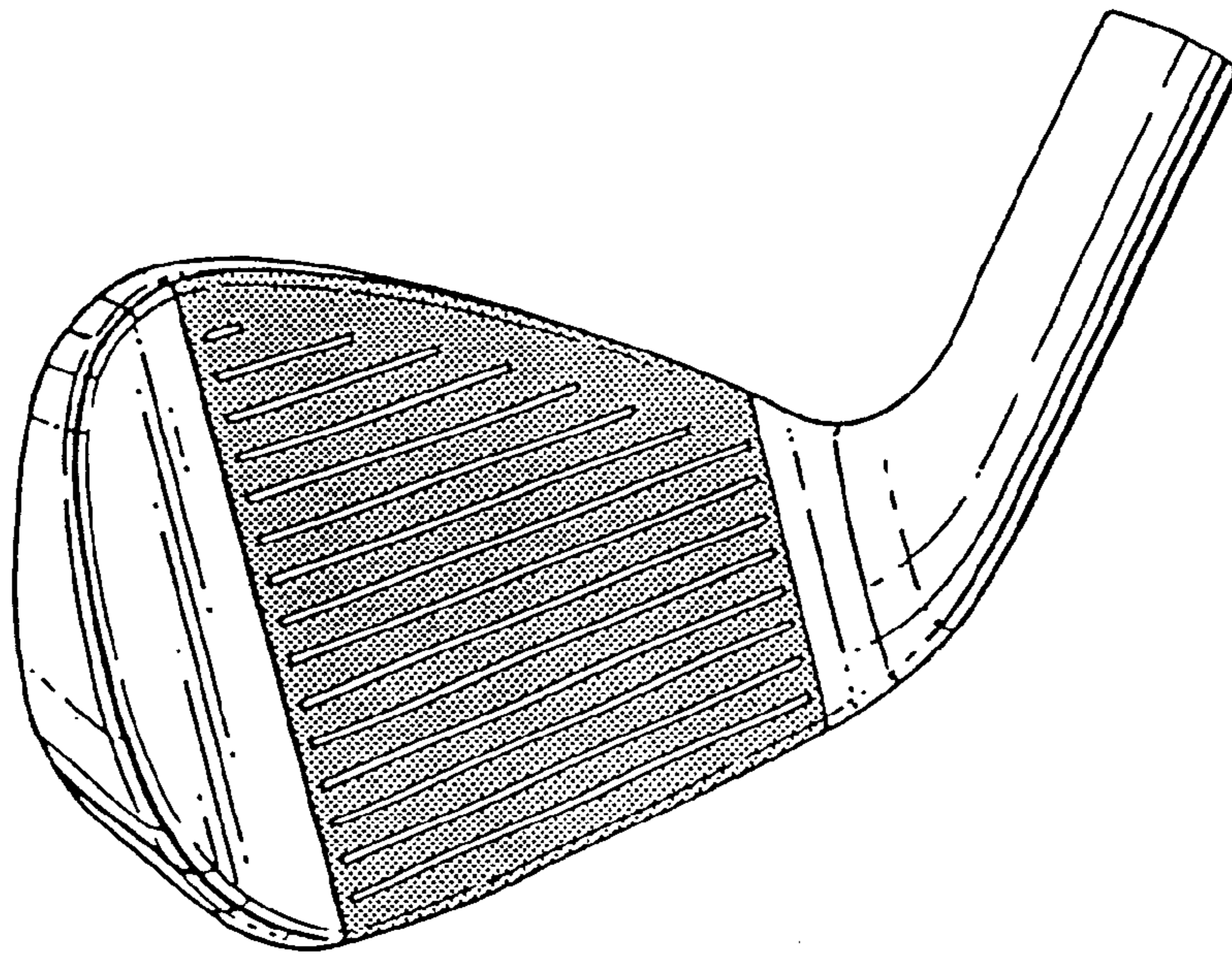


Fig.1

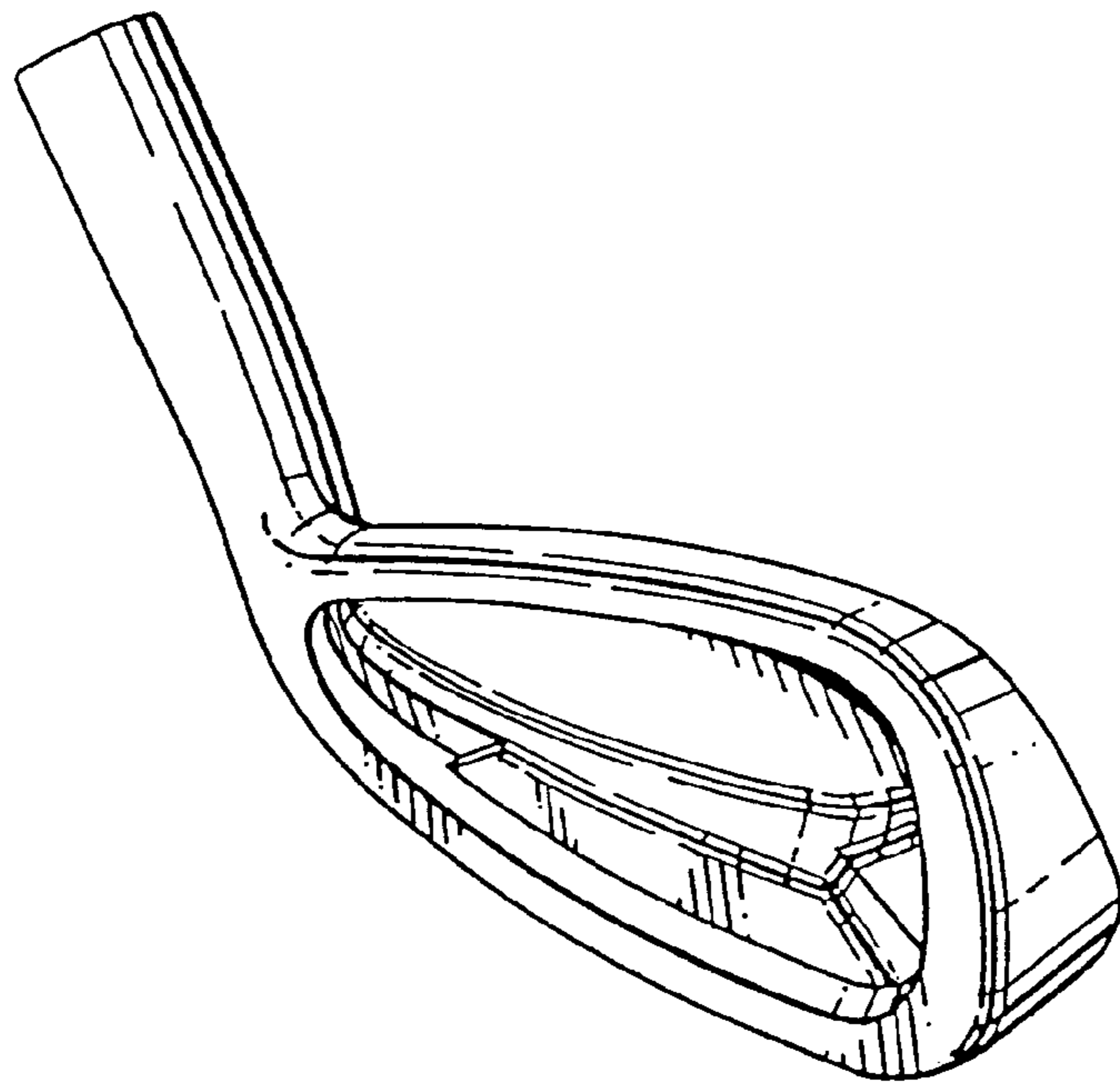


Fig.2

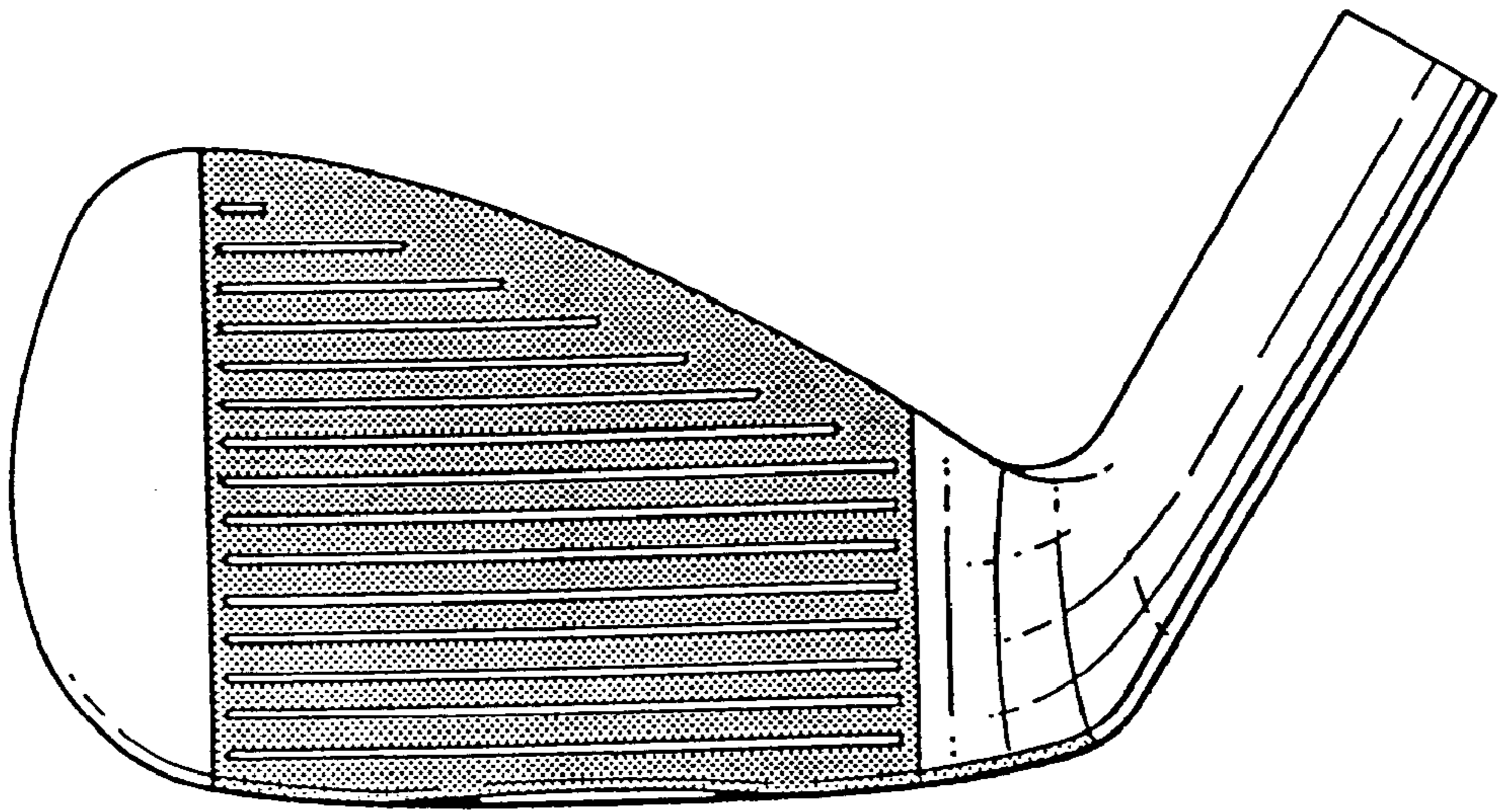


Fig.3

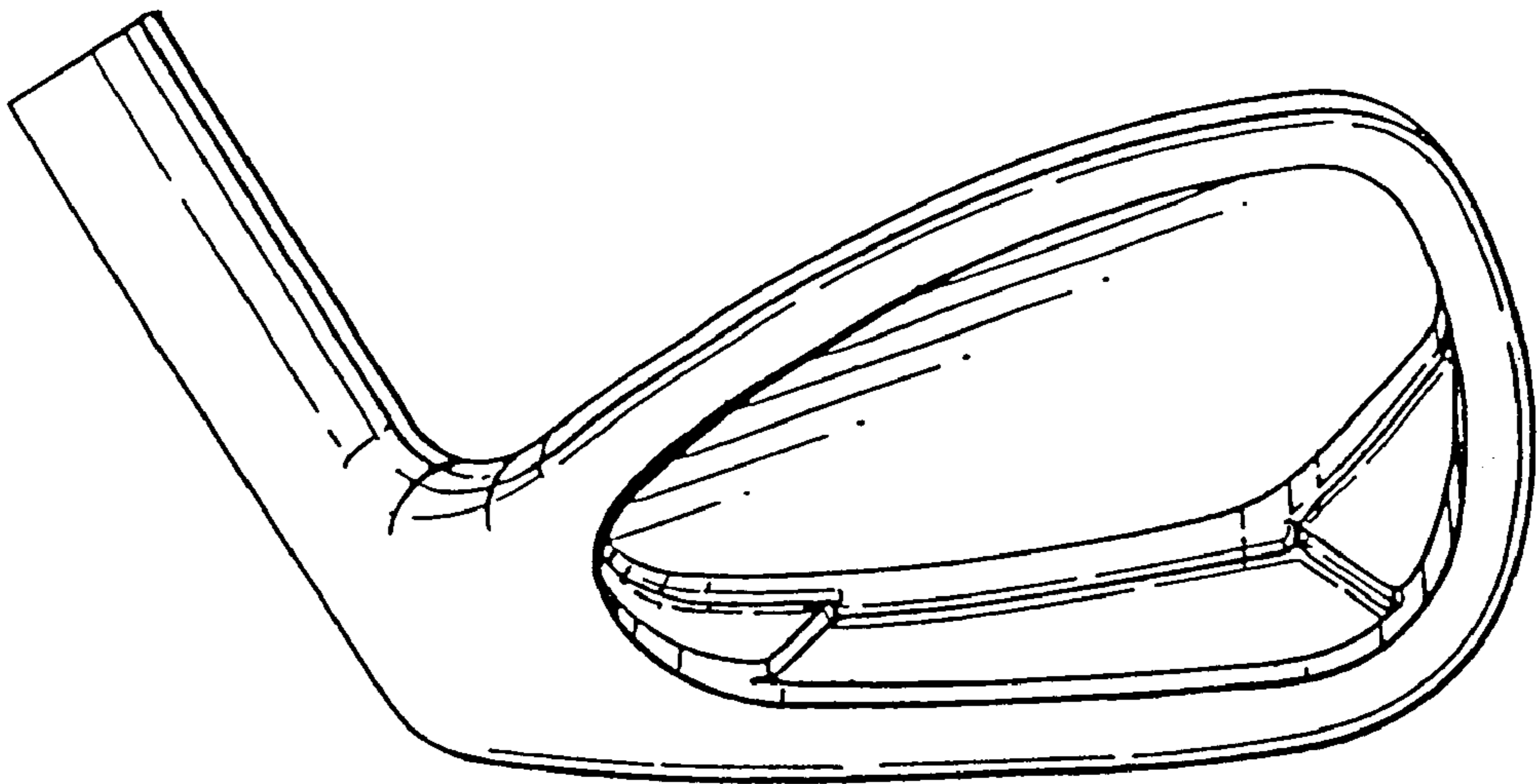


Fig.4

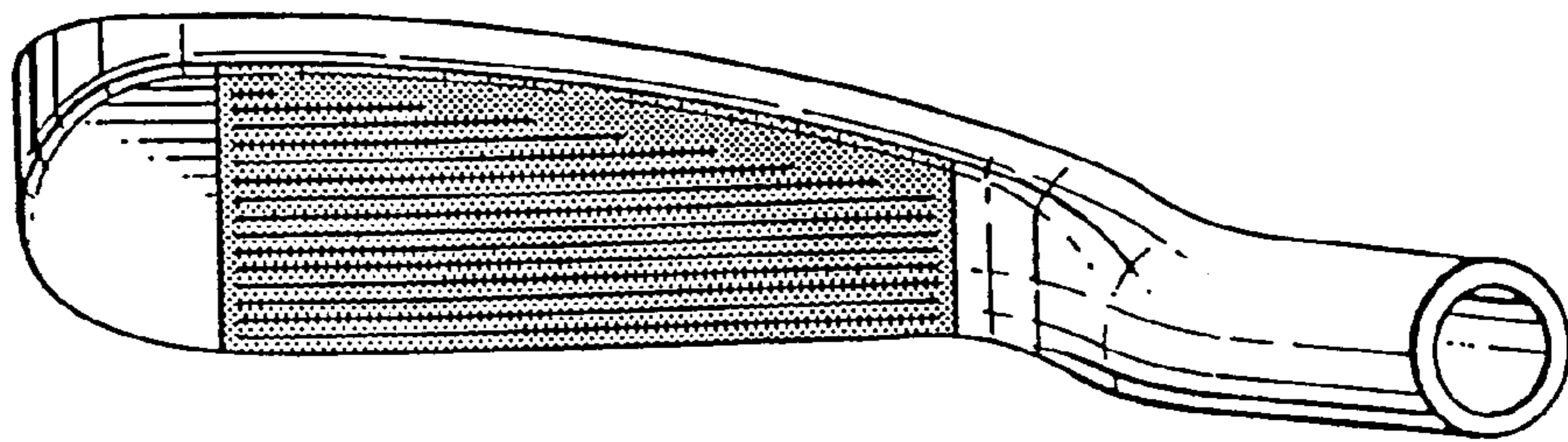


Fig.5

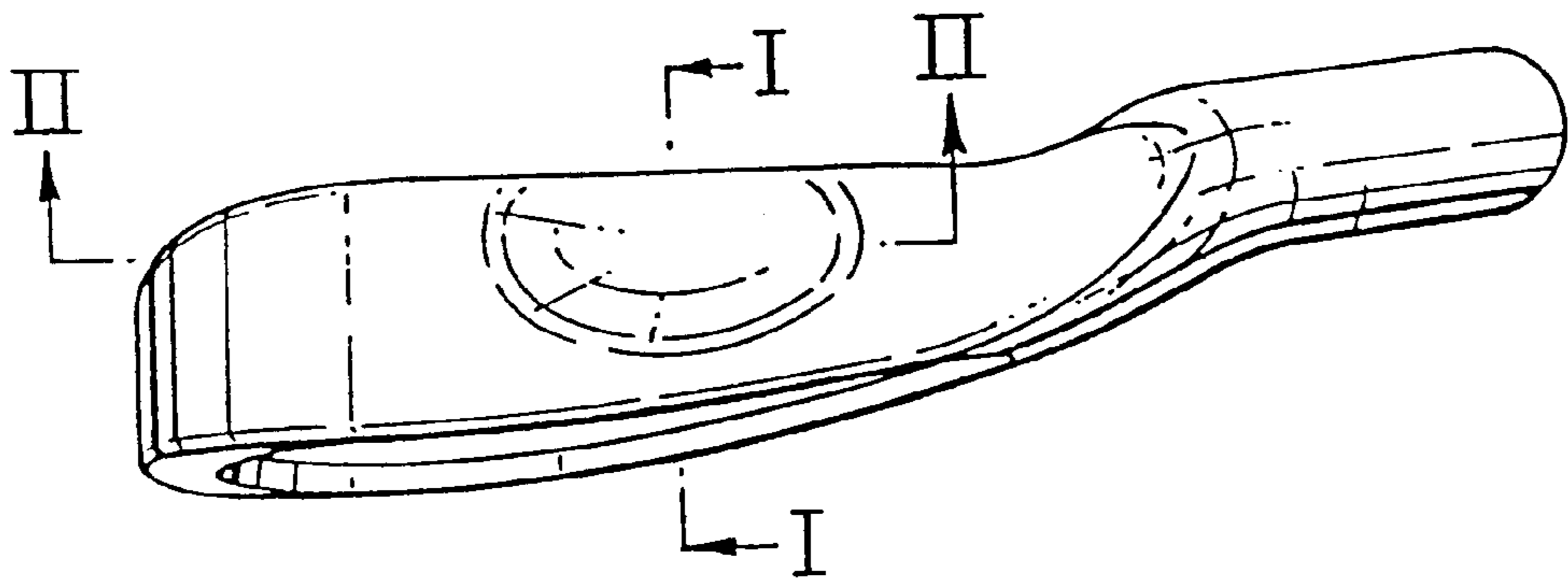


Fig.6

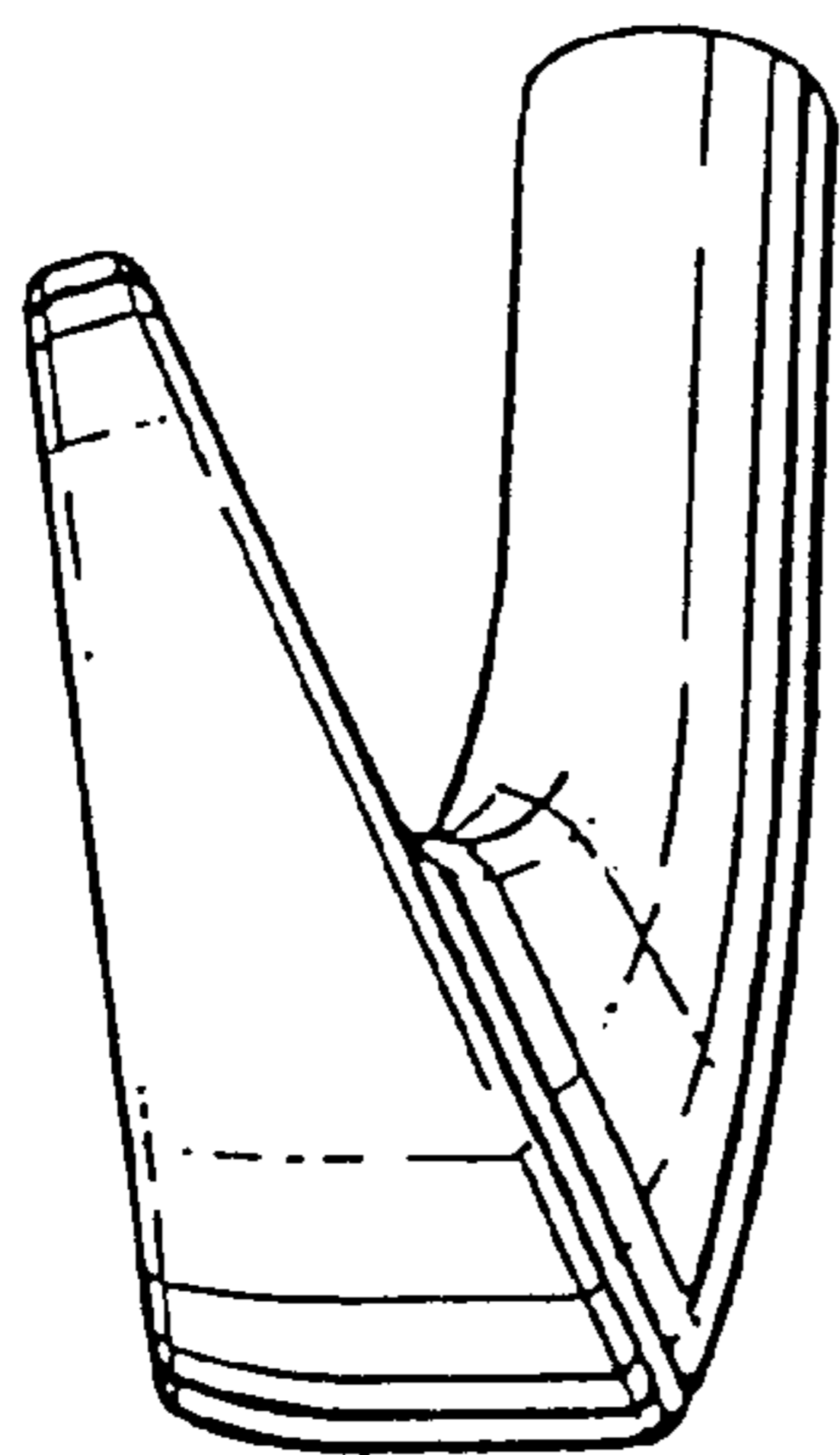


Fig.7

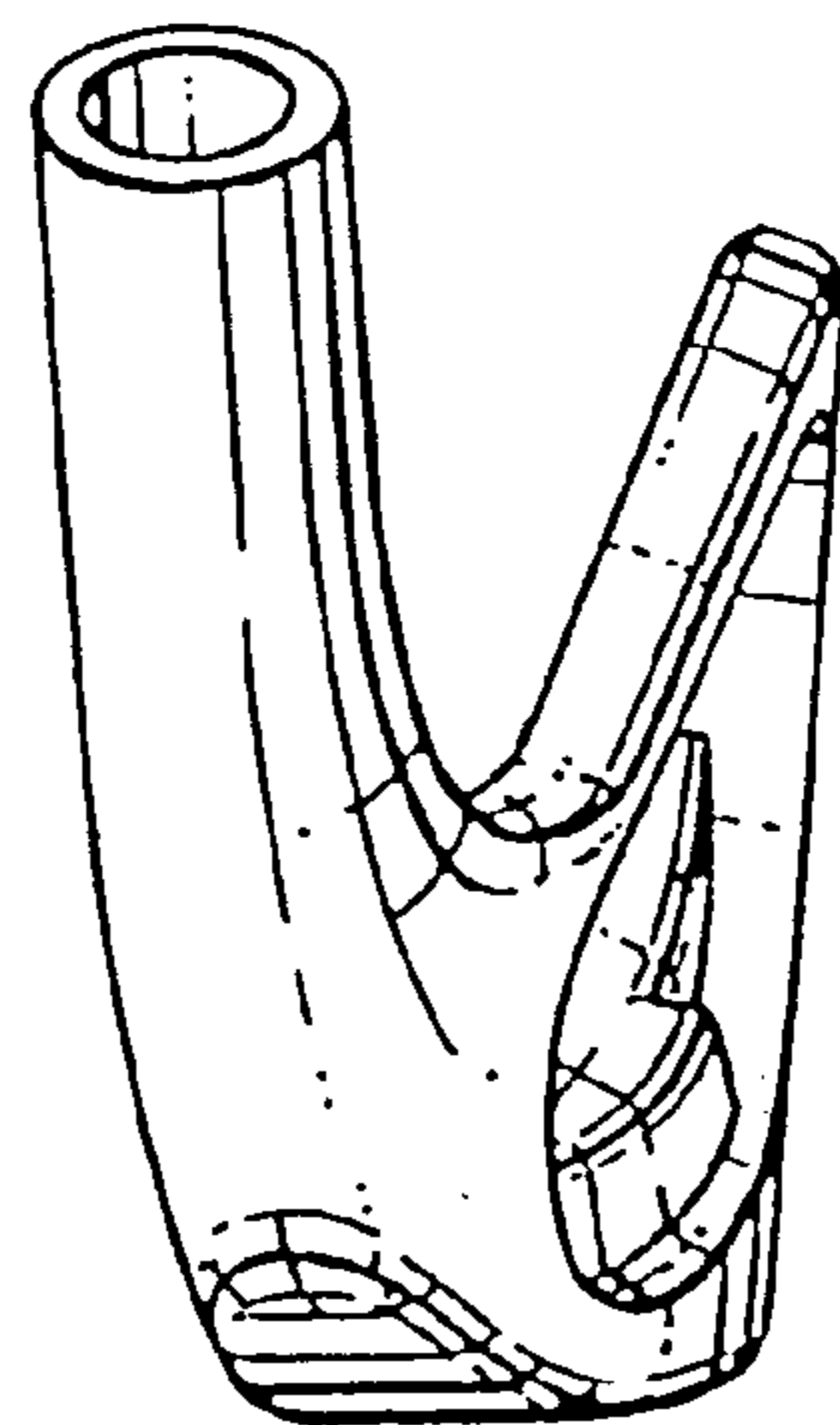


Fig.8

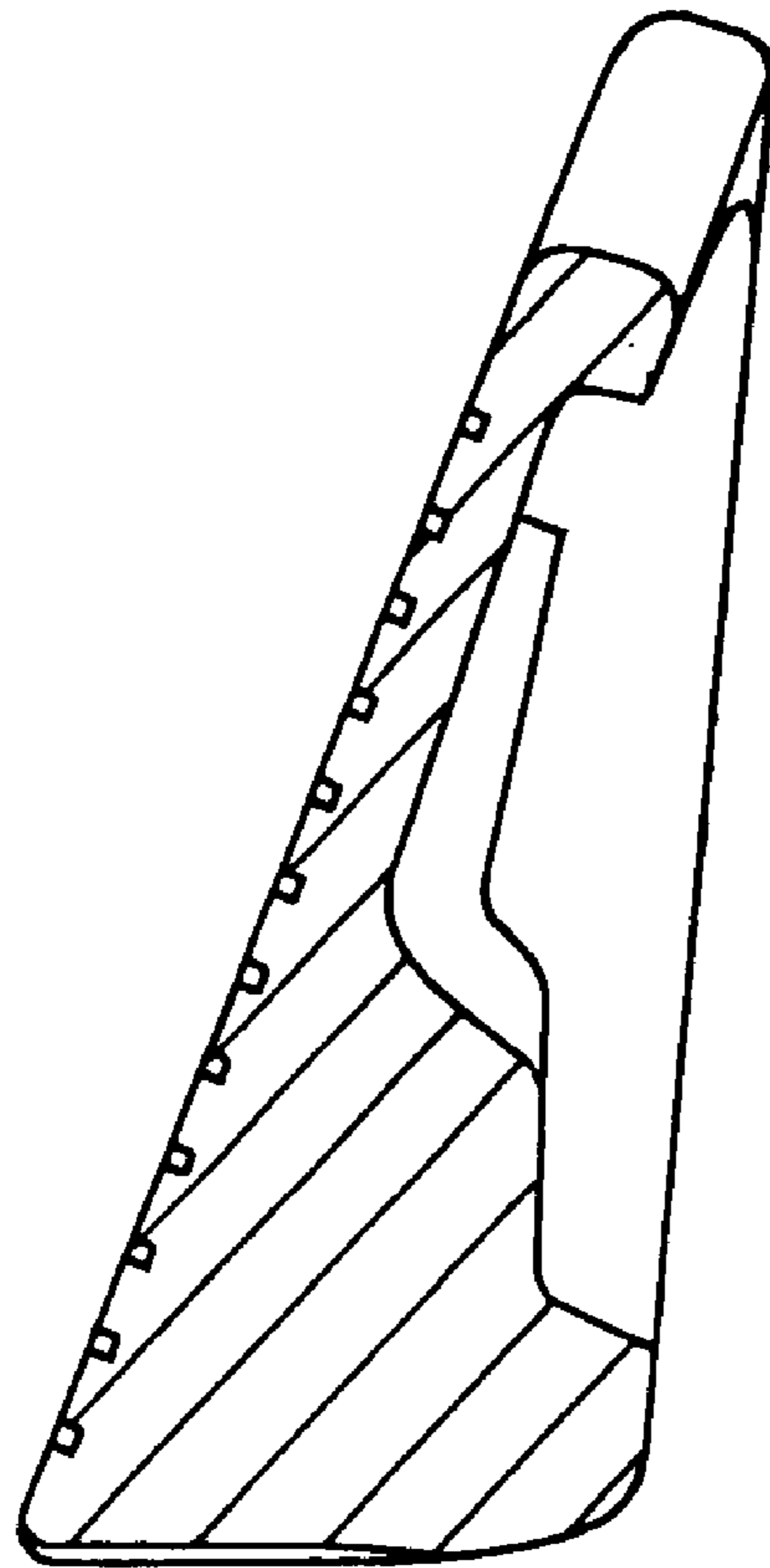


Fig.9.

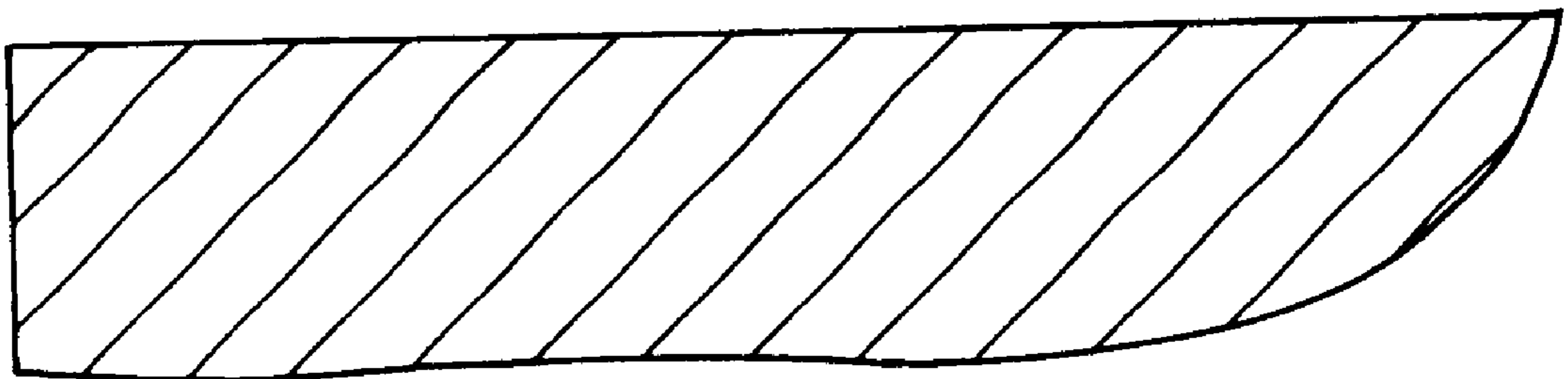


Fig.10.