



US00D456052S

(12) **United States Design Patent**
Steves

(10) **Patent No.:** **US D456,052 S**

(45) **Date of Patent:** **** Apr. 23, 2002**

(54) **MINI SKI EXERCISER**

(75) **Inventor:** **Kerry Peter Steves, Auckland (NZ)**

(73) **Assignee:** **Pro Gym Co., International Limited (TW)**

(**) **Term:** **14 Years**

(21) **Appl. No.:** **29/137,006**

(22) **Filed:** **Feb. 12, 2001**

(51) **LOC (7) Cl.** **21-02**

(52) **U.S. Cl.** **D21/670; D21/668**

(58) **Field of Search** **D21/662, 668, D21/670; 482/51, 52, 53, 79, 80**

(56) **References Cited**

U.S. PATENT DOCUMENTS

5,199,934	A	*	4/1993	Lin	482/79
5,230,674	A	*	7/1993	Terauds	482/52
5,263,910	A	*	11/1993	Yang	482/52
5,304,105	A	*	4/1994	Hsieh	482/53

D348,708	S	*	7/1994	Chen	D21/670
D349,542	S	*	8/1994	Russell	D21/670
5,348,520	A	*	9/1994	Chang	482/52
D397,746	S	*	9/1998	Drach et al.	D21/668

* cited by examiner

Primary Examiner—Philip S. Hyder

(74) *Attorney, Agent, or Firm*—Charles E. Baxley

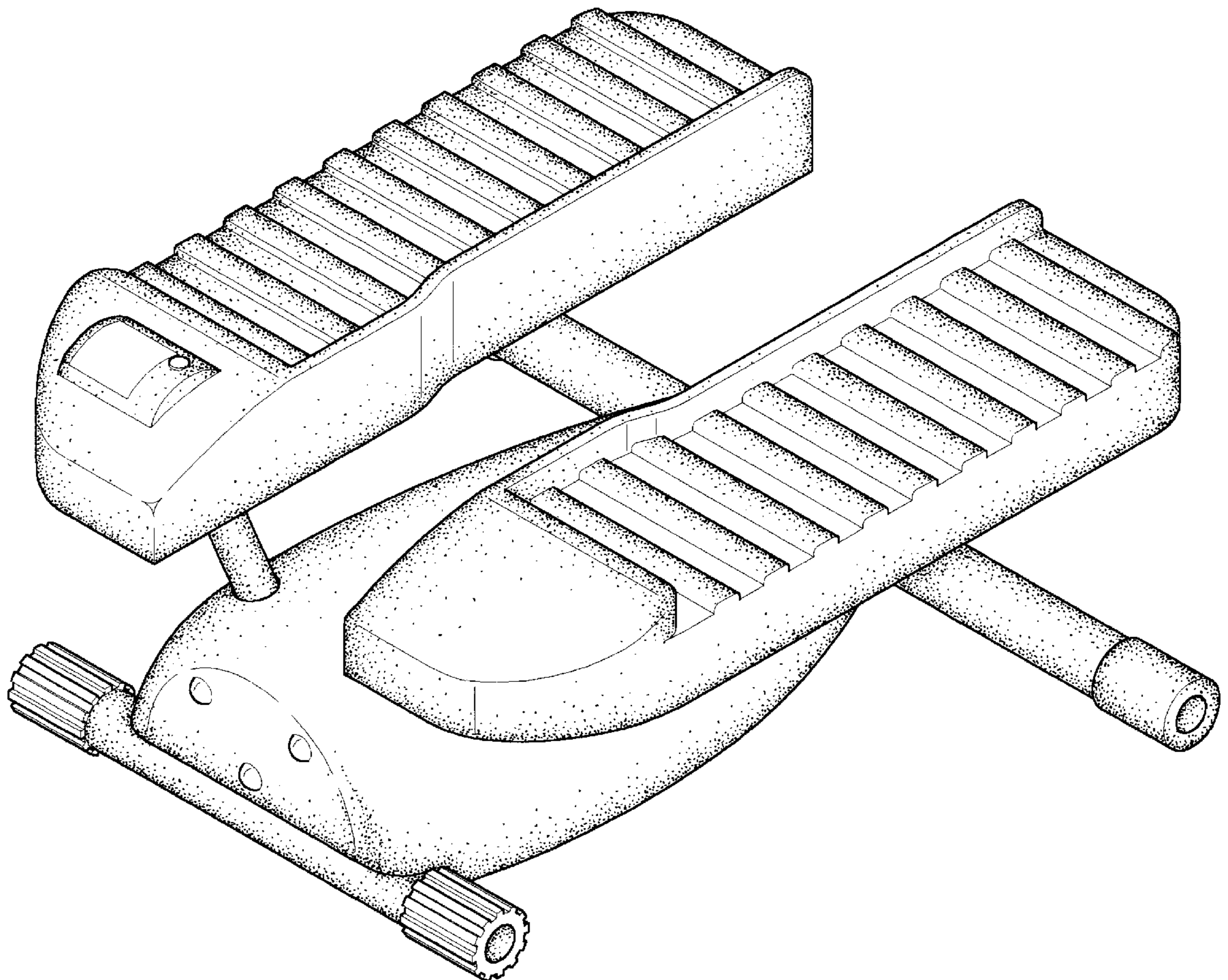
(57) **CLAIM**

The ornamental design for a mini ski exerciser, as shown and described.

DESCRIPTION

FIG. 1 is a front-right-top perspective view of a mini ski exerciser, showing my new design;
 FIG. 2 is a front elevational view thereof;
 FIG. 3 is a rear elevational view thereof;
 FIG. 4 is a right elevational view thereof, the left side being a mirror image thereof;
 FIG. 5 is a top plan view thereof; and,
 FIG. 6 is a bottom plan view thereof.

1 Claim, 3 Drawing Sheets



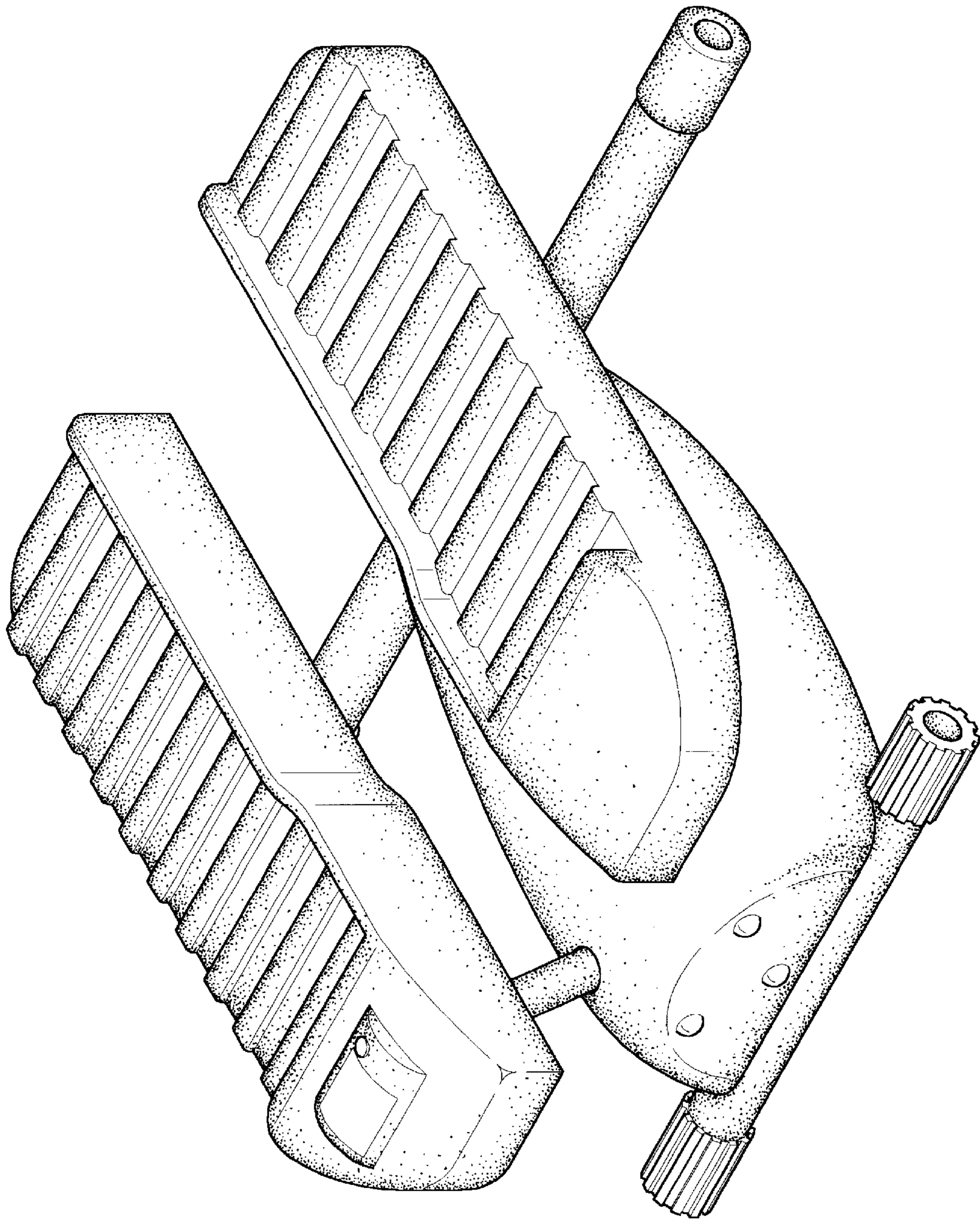


FIG. 1

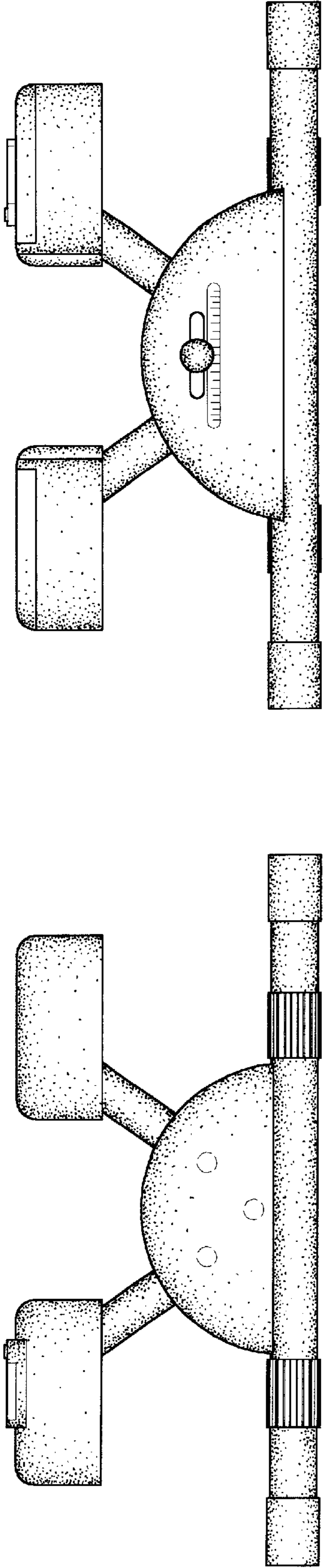


FIG. 2

FIG. 3

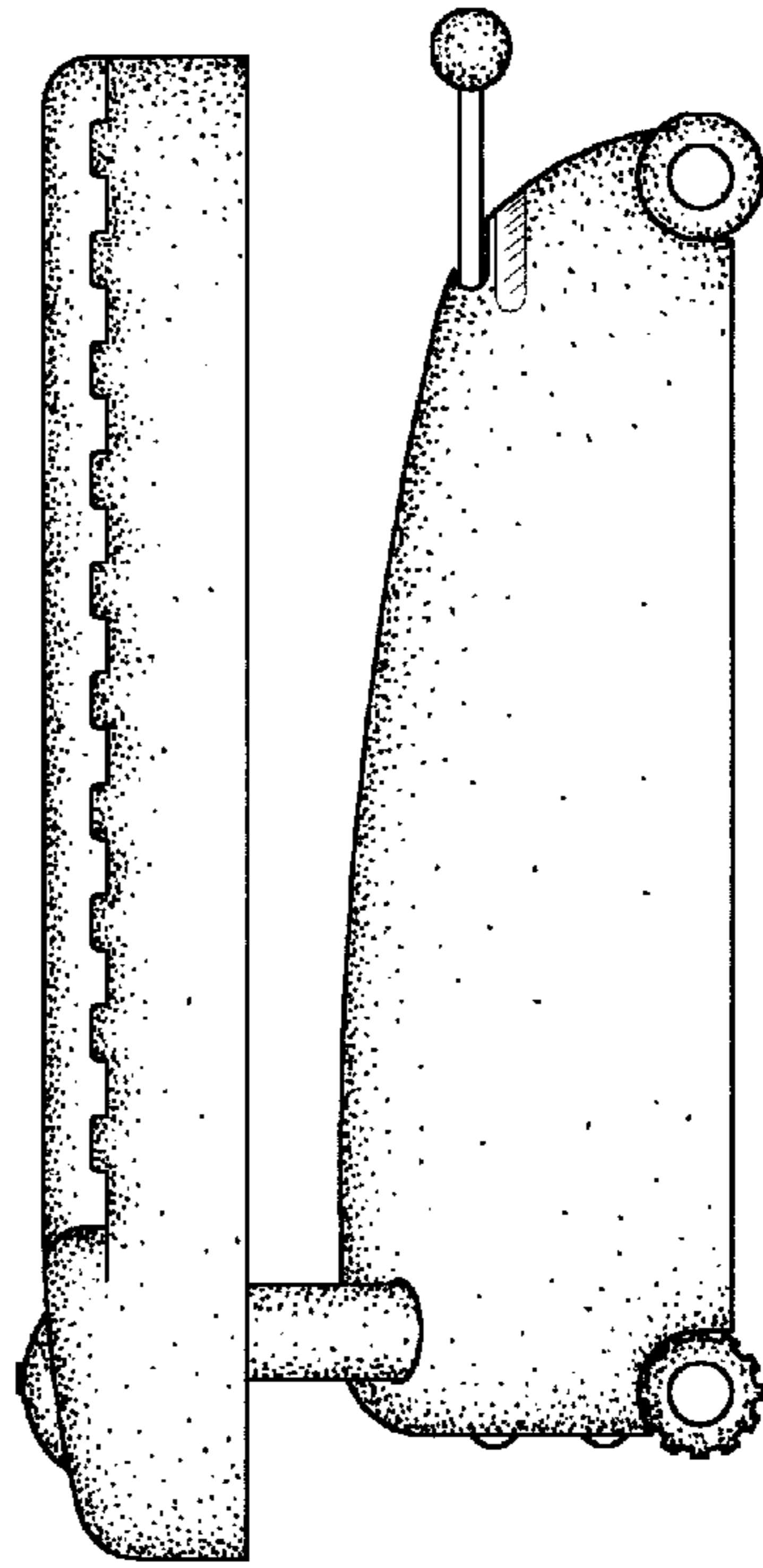


FIG. 4

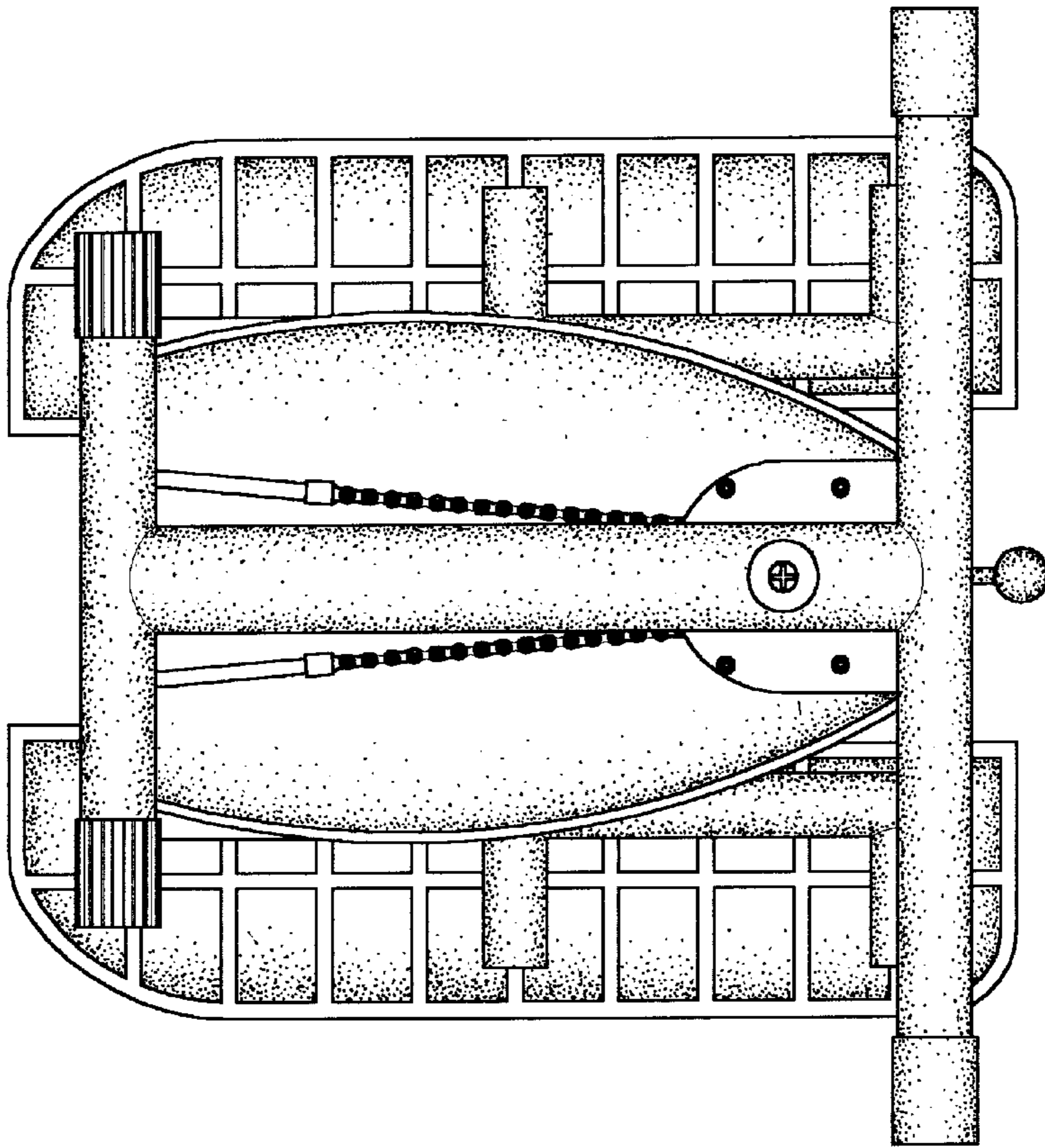


FIG. 6

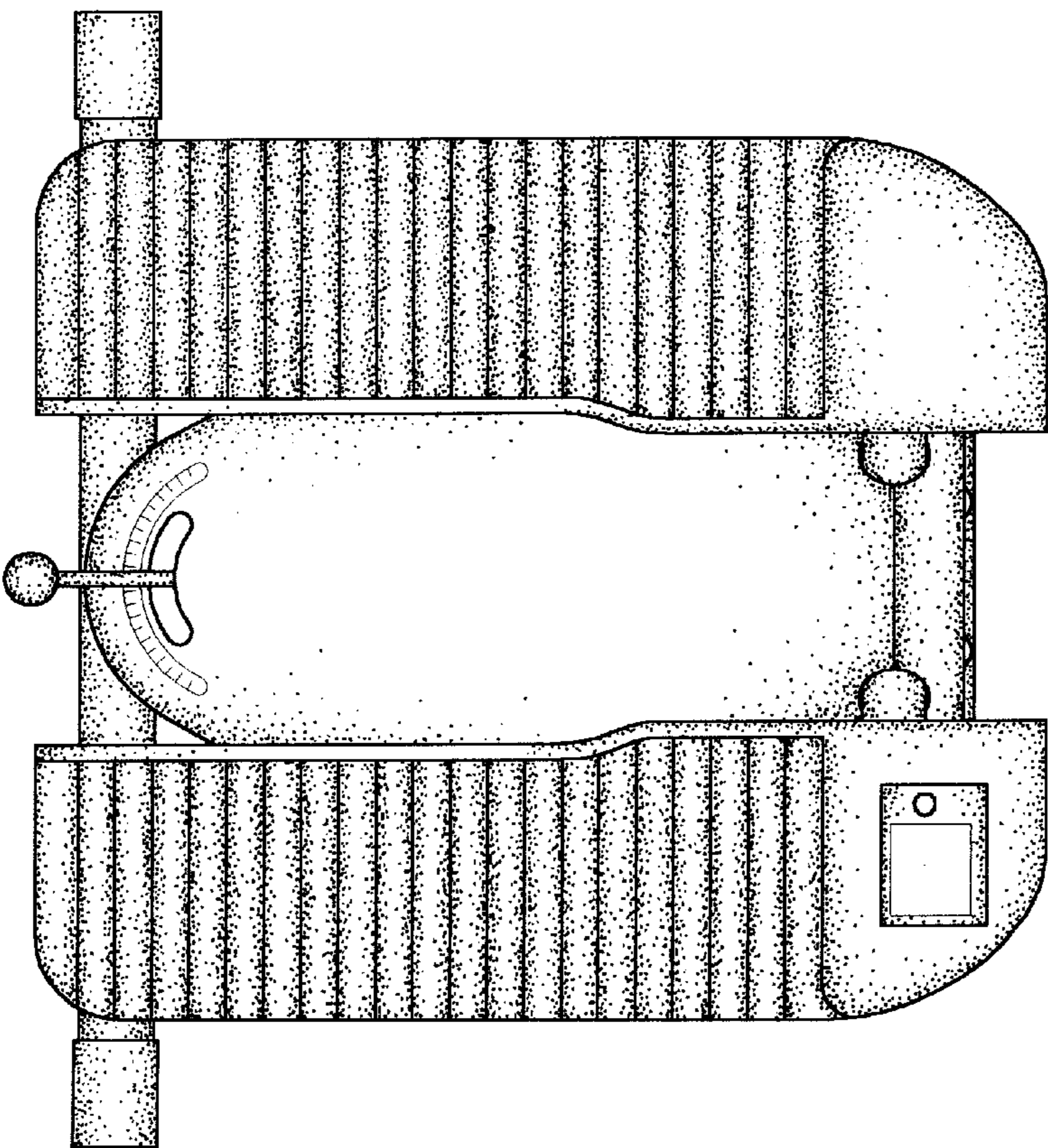


FIG. 5